



US00D488467S

(12) **United States Design Patent**
Chiang

(10) **Patent No.:** **US D488,467 S**

(45) **Date of Patent:** **** Apr. 13, 2004**

(54) **INTEGRATED ALL-IN-ONE COMPUTER**

(75) **Inventor:** **Cheng-Hung Chiang, Keelung (TW)**

(73) **Assignee:** **Mitac Technology Corp., Hsin-Chu Hsien (TW)**

(**) **Term:** **14 Years**

(21) **Appl. No.:** **29/182,845**

(22) **Filed:** **Jun. 3, 2003**

(30) **Foreign Application Priority Data**

Jan. 24, 2003 (TW) 92300460

(51) **LOC (7) Cl.** **14-02**

(52) **U.S. Cl.** **D14/314**

(58) **Field of Search** D14/314, 328,
D14/329, 331, 332-335, 338-340; D18/1,
2, 7; 345/104, 156, 168, 169; 364/708.1;
361/680-686

(56) **References Cited**

U.S. PATENT DOCUMENTS

5,175,672 A * 12/1992 Conner et al. 361/680
5,229,757 A * 7/1993 Takamiya et al. 345/168
D348,053 S * 6/1994 Sugihara et al. D14/322

5,428,355 A * 6/1995 Jondrow et al. 341/20
D369,150 S * 4/1996 Vossoughi D14/382
5,812,369 A * 9/1998 Hsu et al. 361/683
5,844,543 A * 12/1998 Tamura et al. 345/156
D430,870 S * 9/2000 Maruyama et al. D14/331
6,351,372 B1 * 2/2002 Kim 361/683

* cited by examiner

Primary Examiner—Clare E. Heflin

(74) *Attorney, Agent, or Firm*—Rabin & Berdo, P.C.

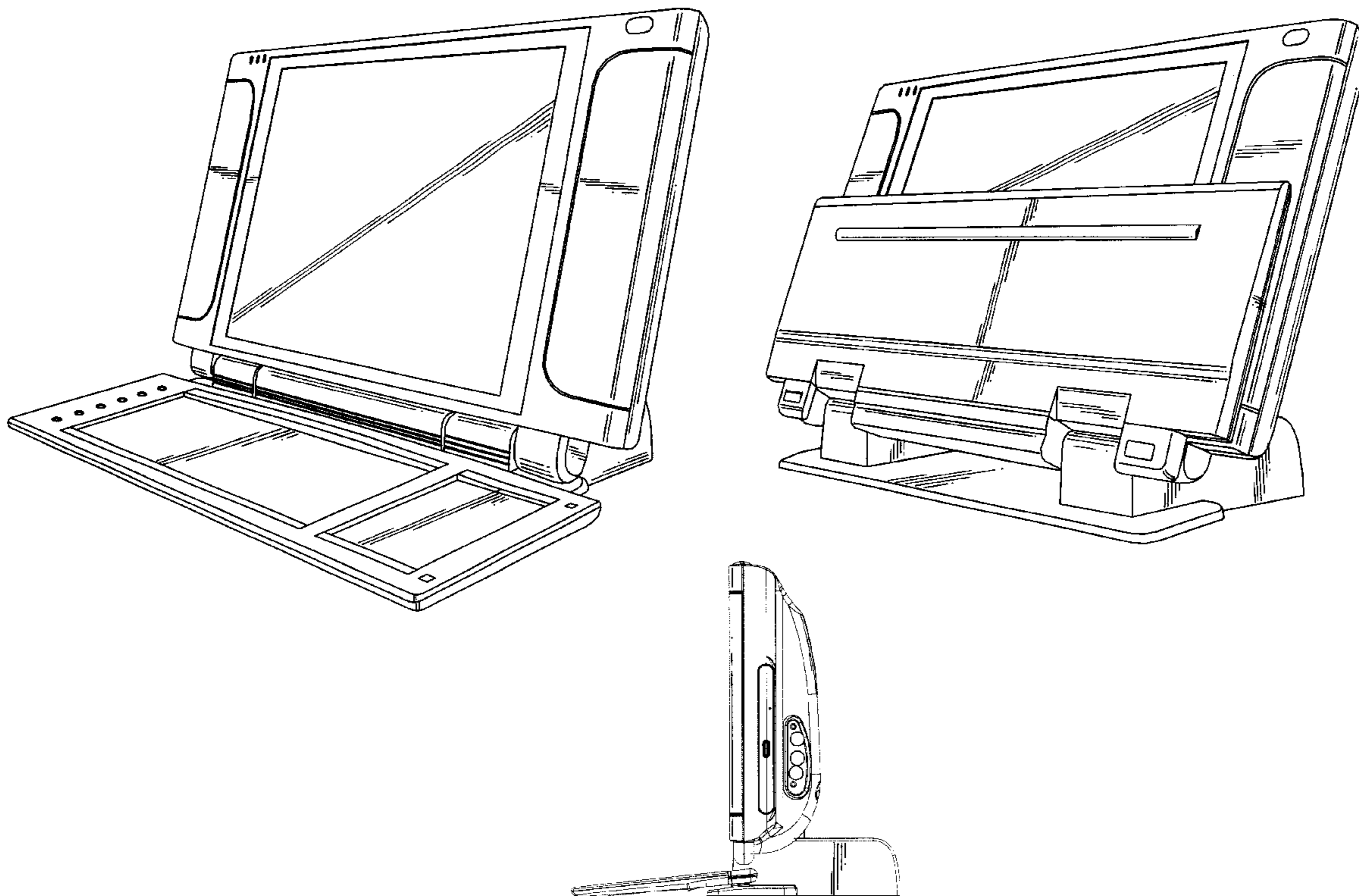
(57) **CLAIM**

The ornamental design for a “integrated all-in-one computer”, as shown and described.

DESCRIPTION

FIG. 1 is a perspective view of an integrated all-in-one computer showing the new design;
FIG. 2 is a front view thereof;
FIG. 3 is a rear view thereof;
FIG. 4 is a right side elevational view thereof;
FIG. 5 is a left side elevational view thereof;
FIG. 6 is a top view thereof; and
FIG. 7 is a bottom view thereof; and,
FIG. 8 is a perspective view of an integrated all-in-one computer showing a partial fold.

1 Claim, 5 Drawing Sheets



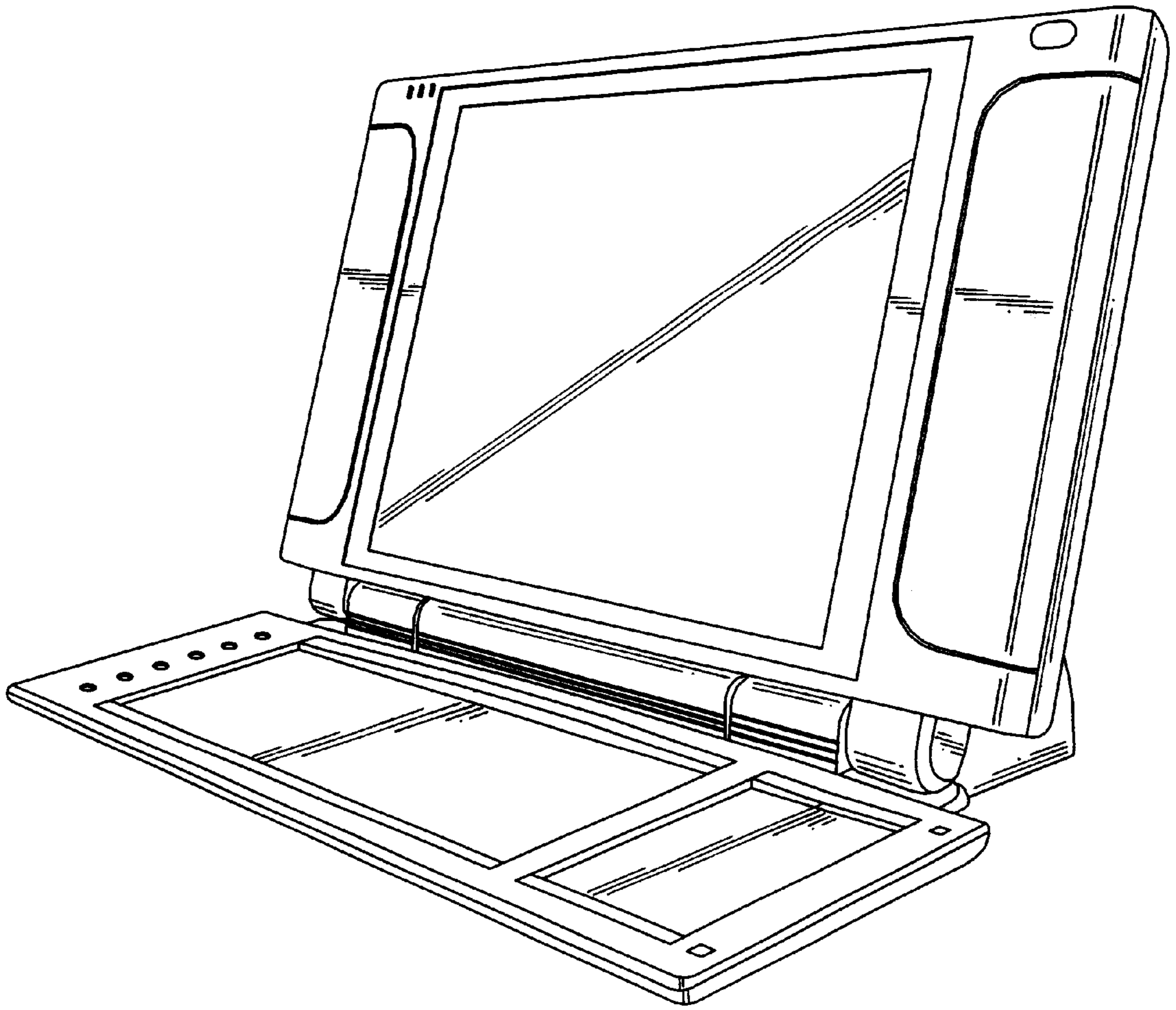


FIG.1

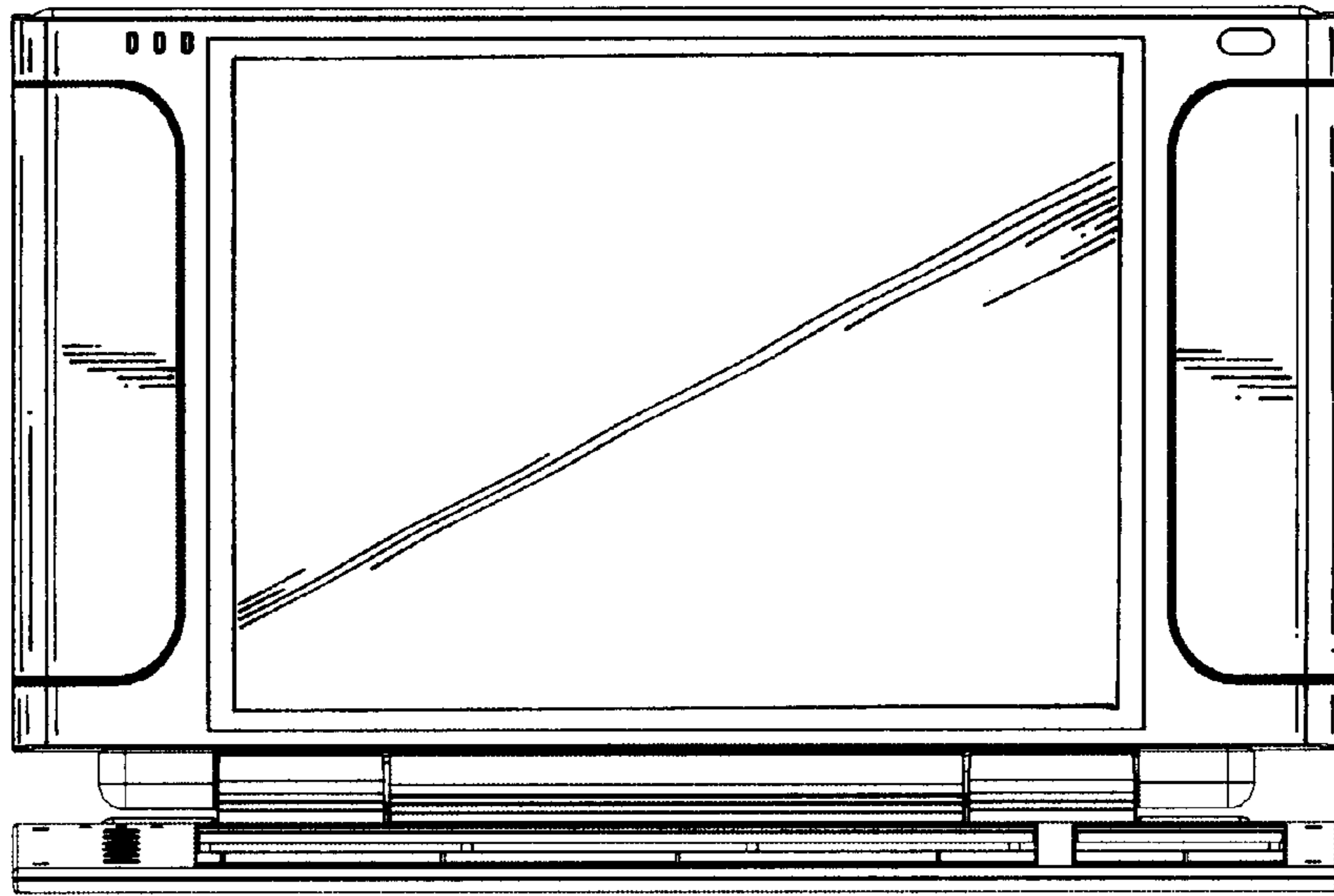


FIG. 2

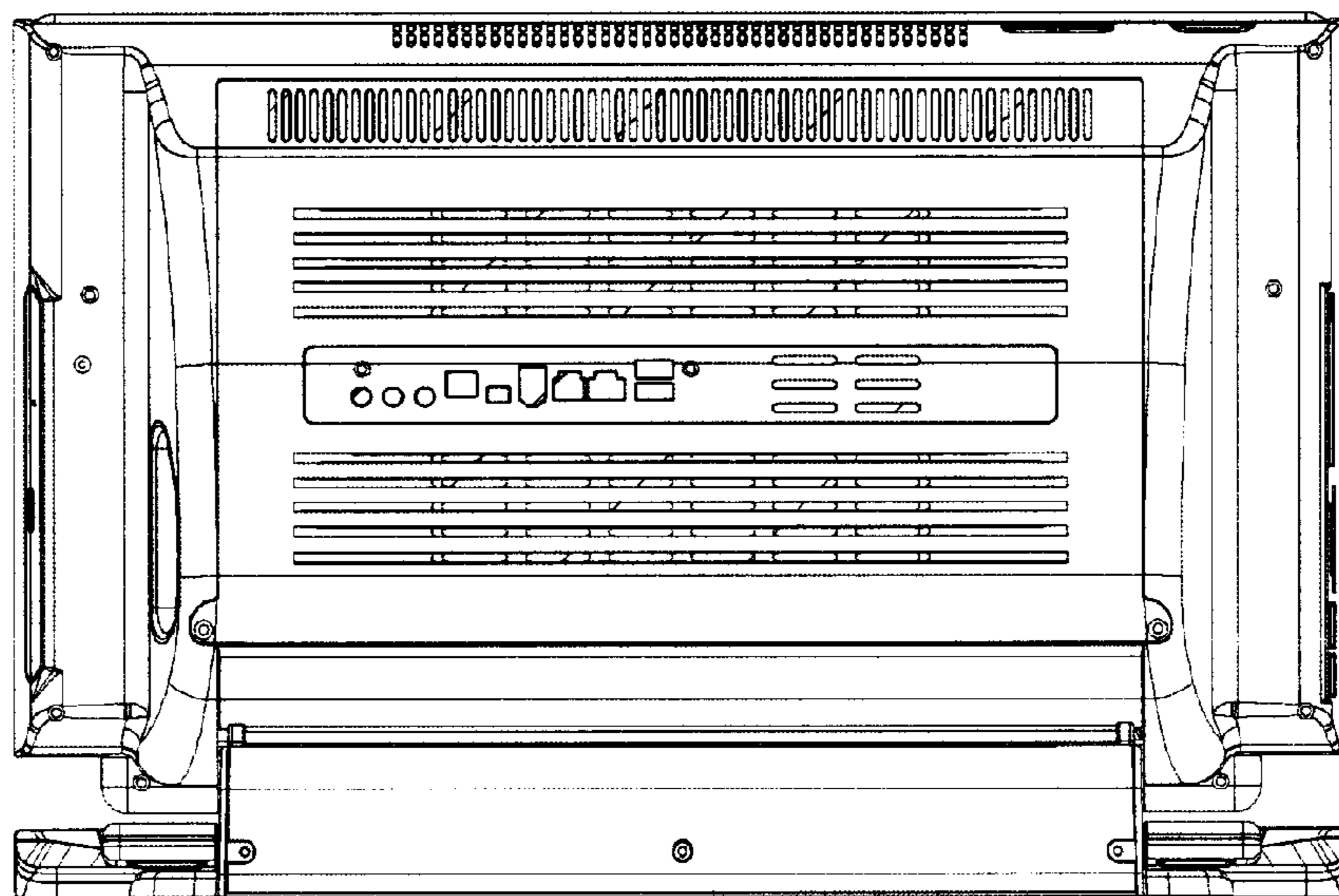


FIG. 3

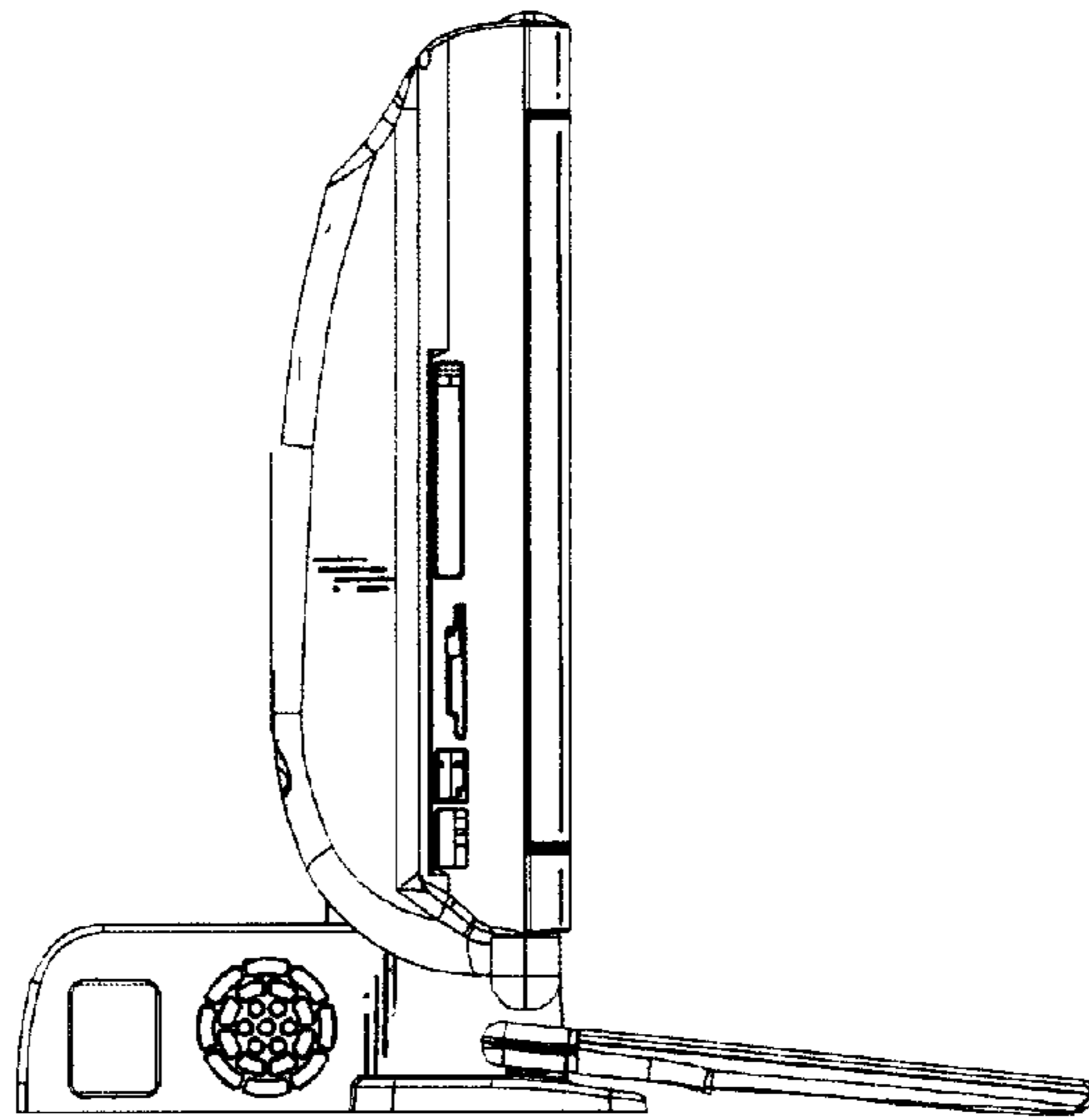


FIG.4

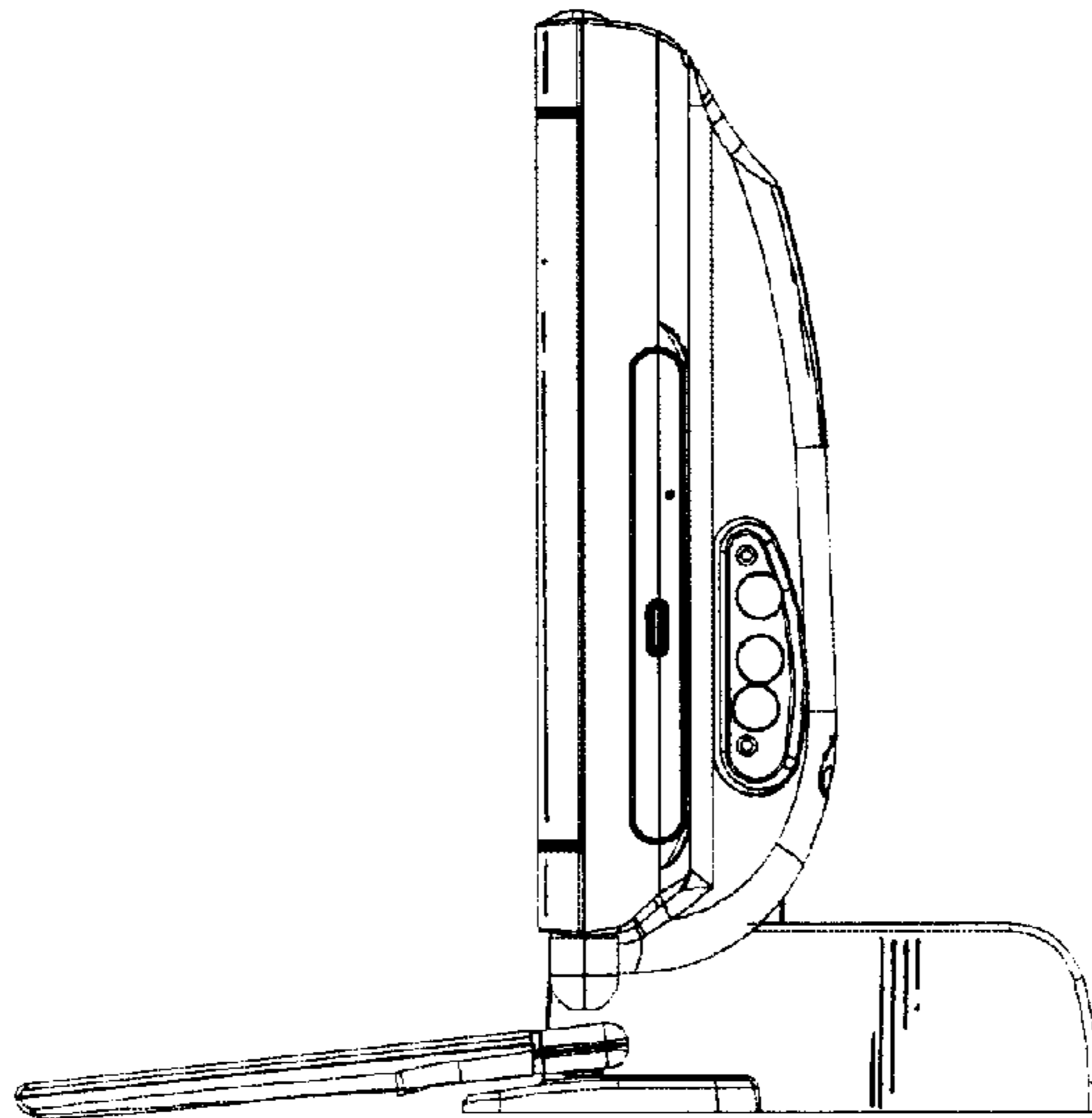


FIG.5

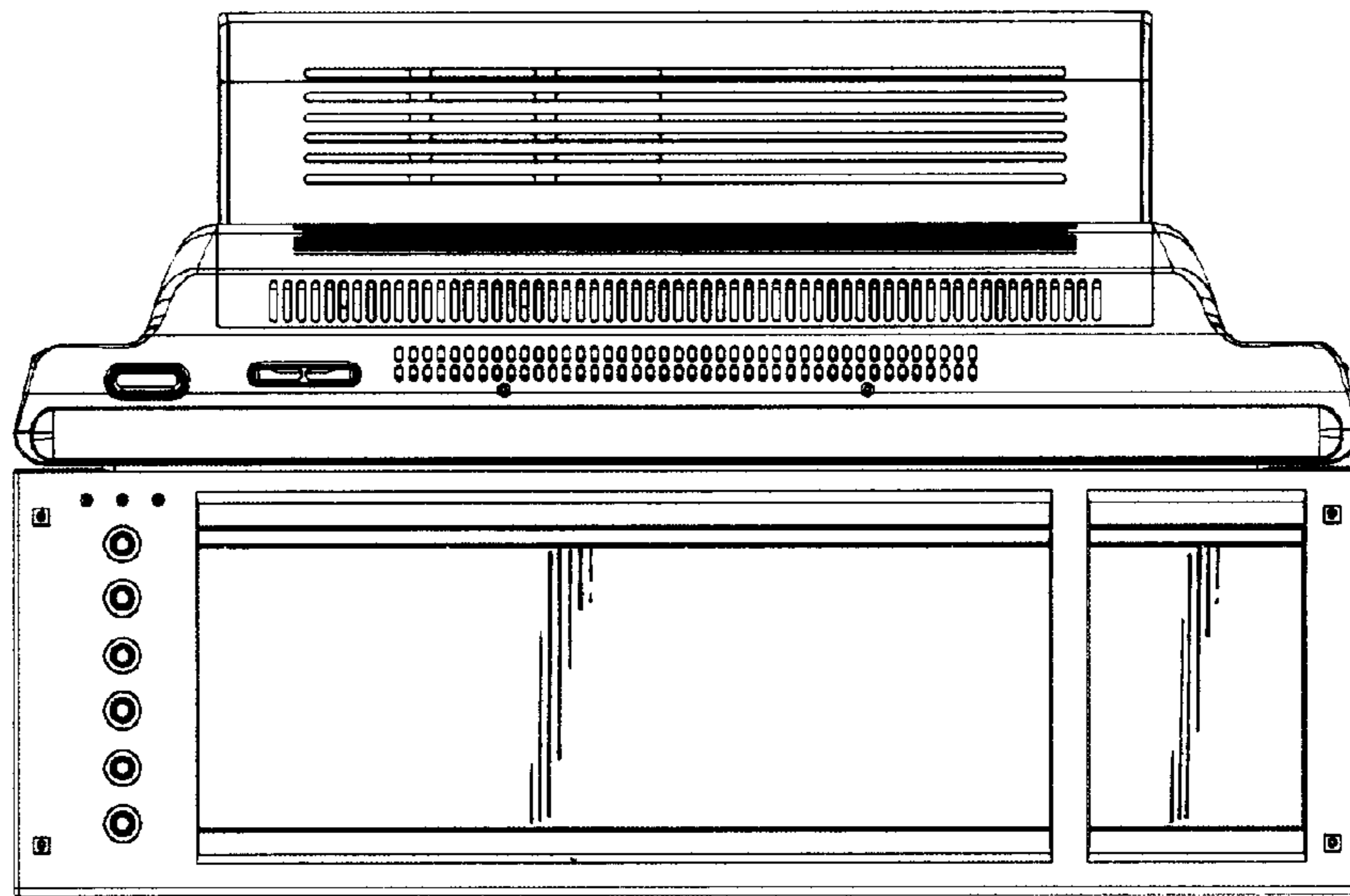


FIG.6

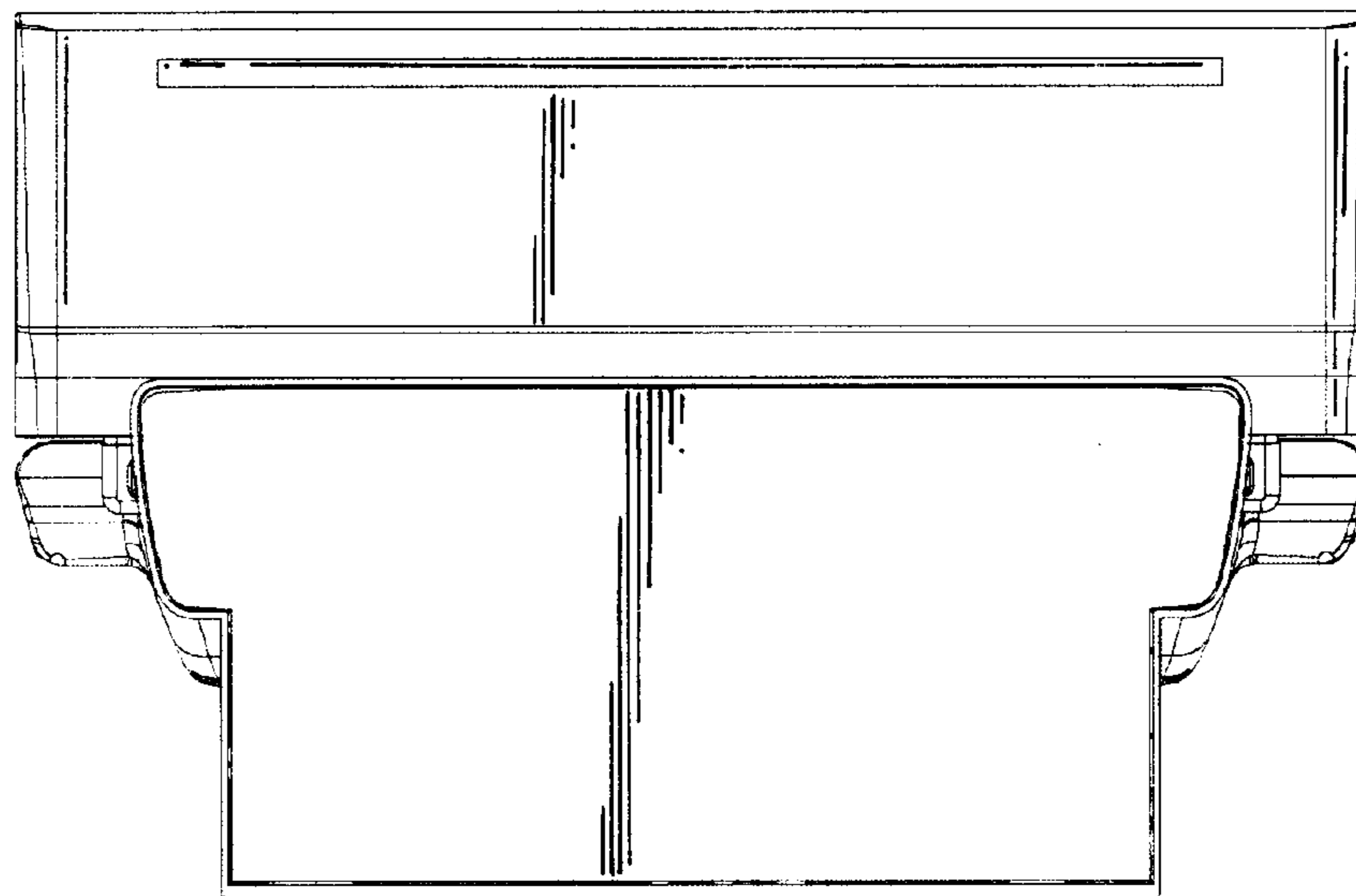


FIG.7

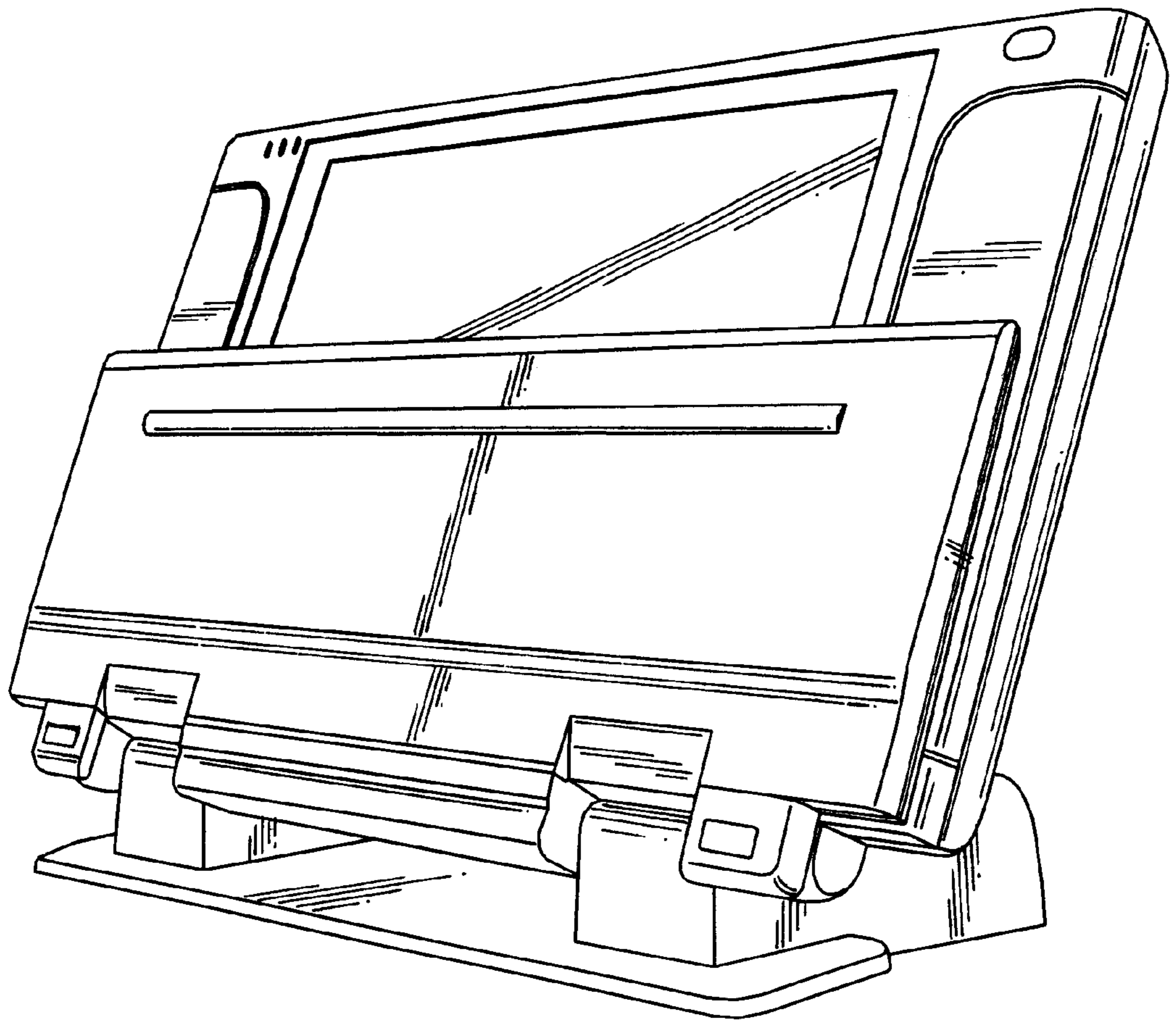


FIG.8