



US00D488464S

(12) **United States Design Patent**  
**Lin et al.**

(10) **Patent No.:** **US D488,464 S**

(45) **Date of Patent:** **\*\* Apr. 13, 2004**

(54) **WIRELESS LAN CARD**

(75) Inventors: **Yu-May Lin**, Keelung (TW); **Shu-Fen Ke**, Taipei (TW); **Chun-Hsiung Yin**, Tainan (TW)

(73) Assignee: **Benq Corporation**, Taoyuan Shien (TW)

(\*\*) Term: **14 Years**

(21) Appl. No.: **29/179,627**

(22) Filed: **Apr. 11, 2003**

(30) **Foreign Application Priority Data**

Jan. 28, 2003 (TW) ..... 92300538

(51) **LOC (7) Cl.** ..... **14-03**

(52) **U.S. Cl.** ..... **D14/242; D14/436**

(58) **Field of Search** ..... D14/240, 242, D14/137, 356, 358, 436, 191; 379/419, 428.01, 440, 441-442; 355/39; 455/575.1, 557, 550; 359/237, 618

(56) **References Cited**

**U.S. PATENT DOCUMENTS**

D303,252 S \* 9/1989 Shih ..... D14/242  
D361,332 S \* 8/1995 Scheid et al. .... D14/191  
D371,770 S \* 7/1996 Larson et al. .... D14/242

D378,085 S \* 2/1997 Kerklaan et al. .... D14/436  
D414,481 S \* 9/1999 Wu ..... D14/436  
D415,479 S \* 10/1999 Yang et al. .... D14/436  
D420,361 S \* 2/2000 Lutz et al. .... D14/242  
D431,035 S \* 9/2000 Lehtomaki ..... D14/242  
D452,494 S \* 12/2001 Sodling ..... D14/242  
D475,701 S \* 6/2003 Kasuya et al. .... D14/242

\* cited by examiner

*Primary Examiner*—Charles A. Rademaker  
(74) *Attorney, Agent, or Firm*—Thomas, Kayden, Horstemeyer & Risley

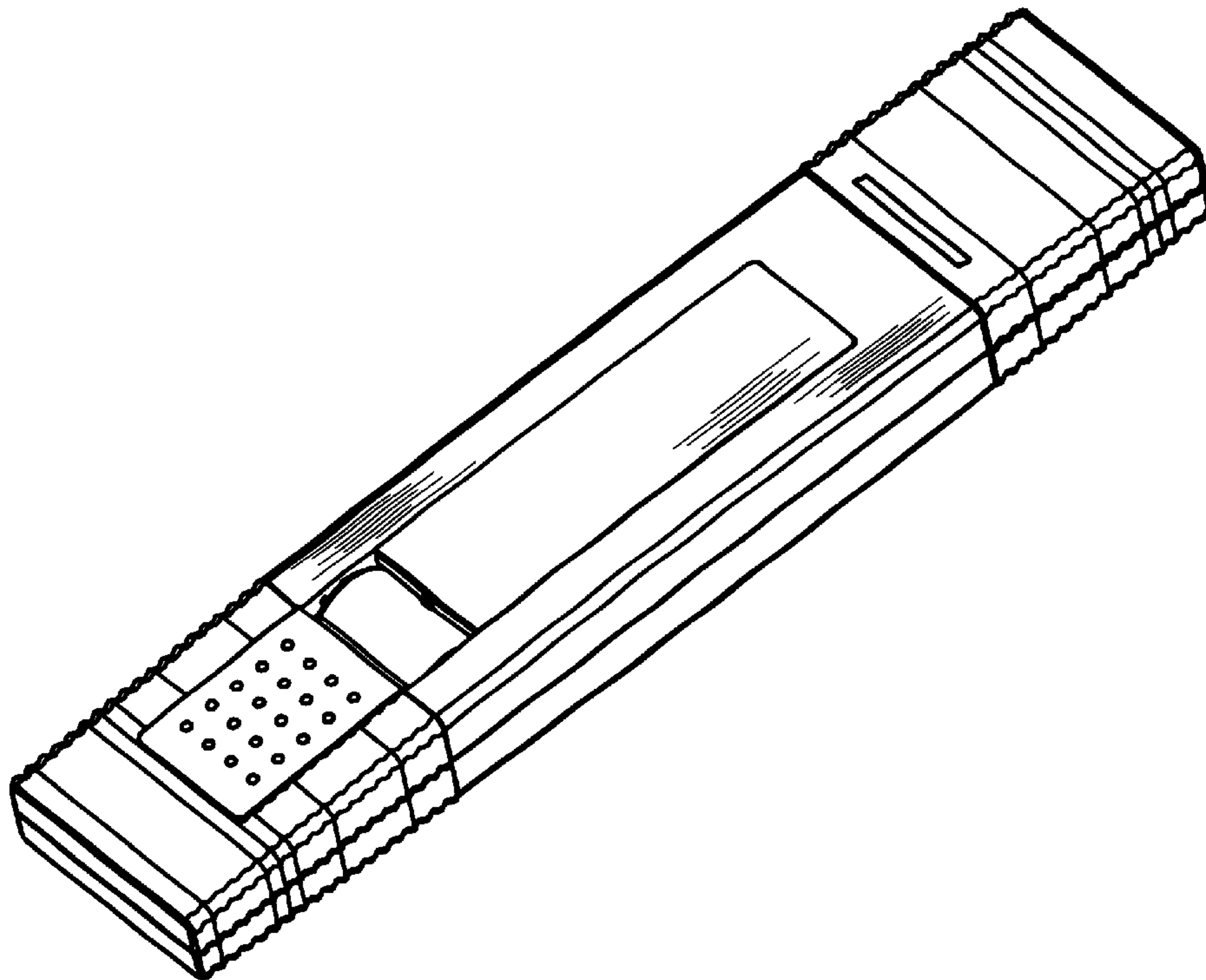
(57) **CLAIM**

The ornamental design for a wireless LAN card, as shown and described.

**DESCRIPTION**

FIG. 1 is a perspective view of a wireless LAN card showing our new design;  
FIG. 2 is a front elevational view thereof;  
FIG. 3 is a left side elevational view thereof;  
FIG. 4 is a right side elevational view thereof;  
FIG. 5 is a top plan view thereof;  
FIG. 6 is a bottom plan view thereof;  
FIG. 7 is a rear elevational view thereof; and,  
FIG. 8 is a perspective view of a wireless LAN card in use.

**1 Claim, 8 Drawing Sheets**



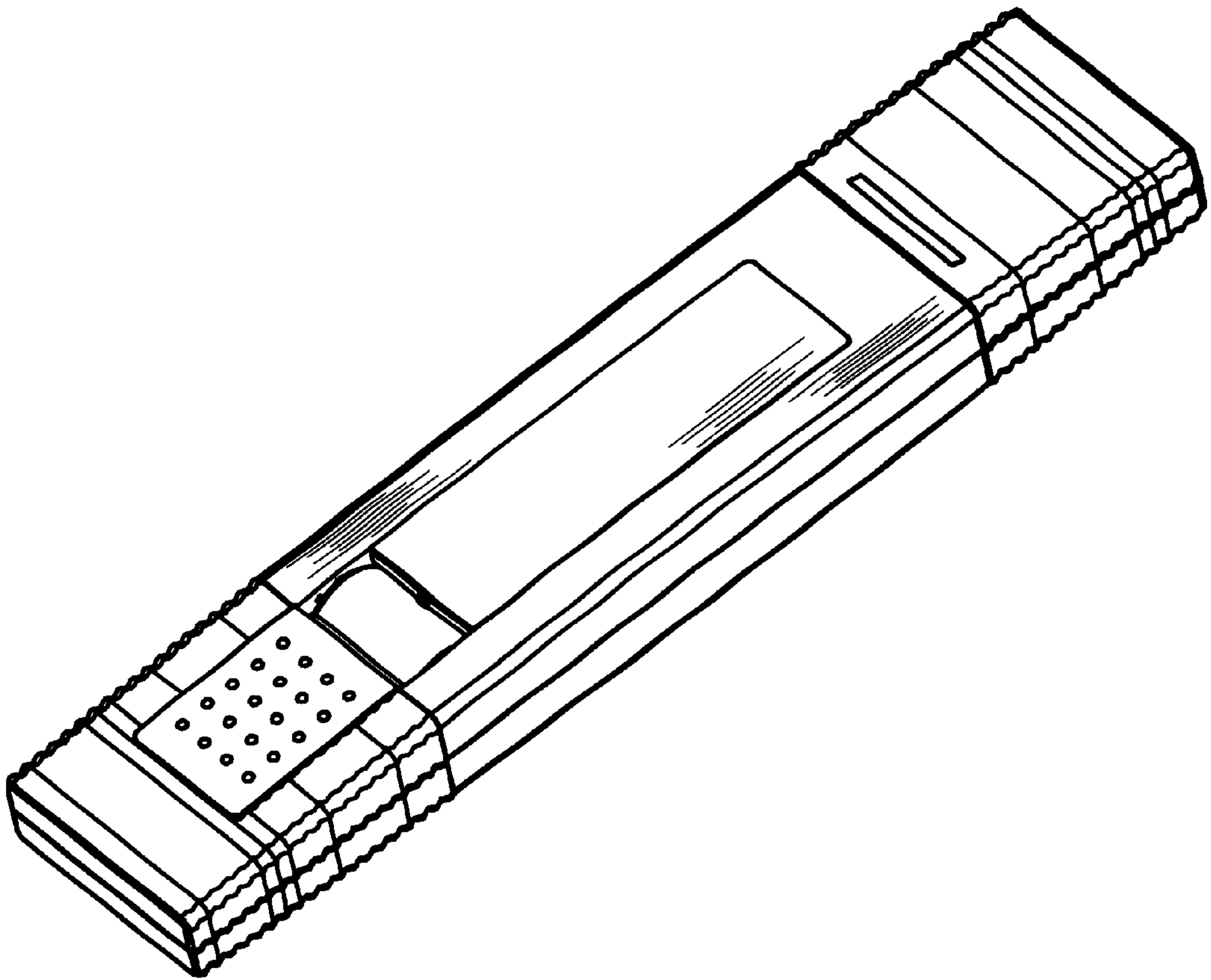


FIG. 1

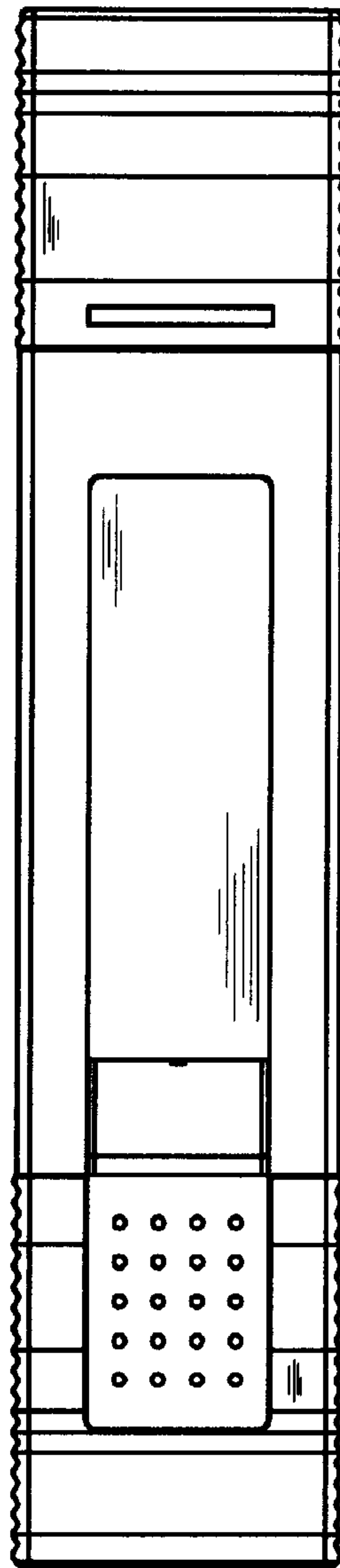


FIG. 2

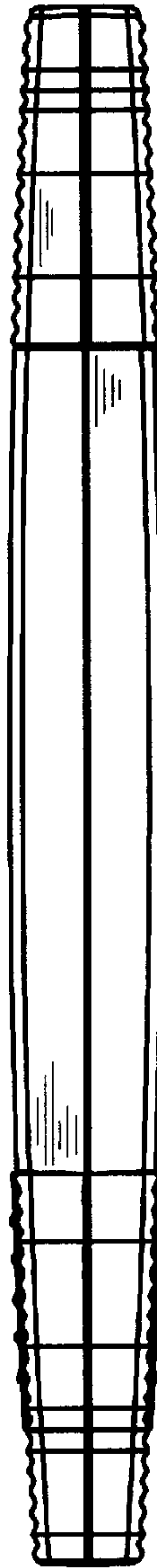


FIG. 3

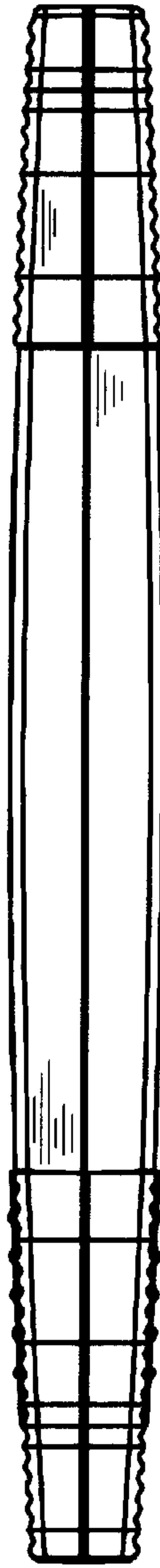


FIG. 4

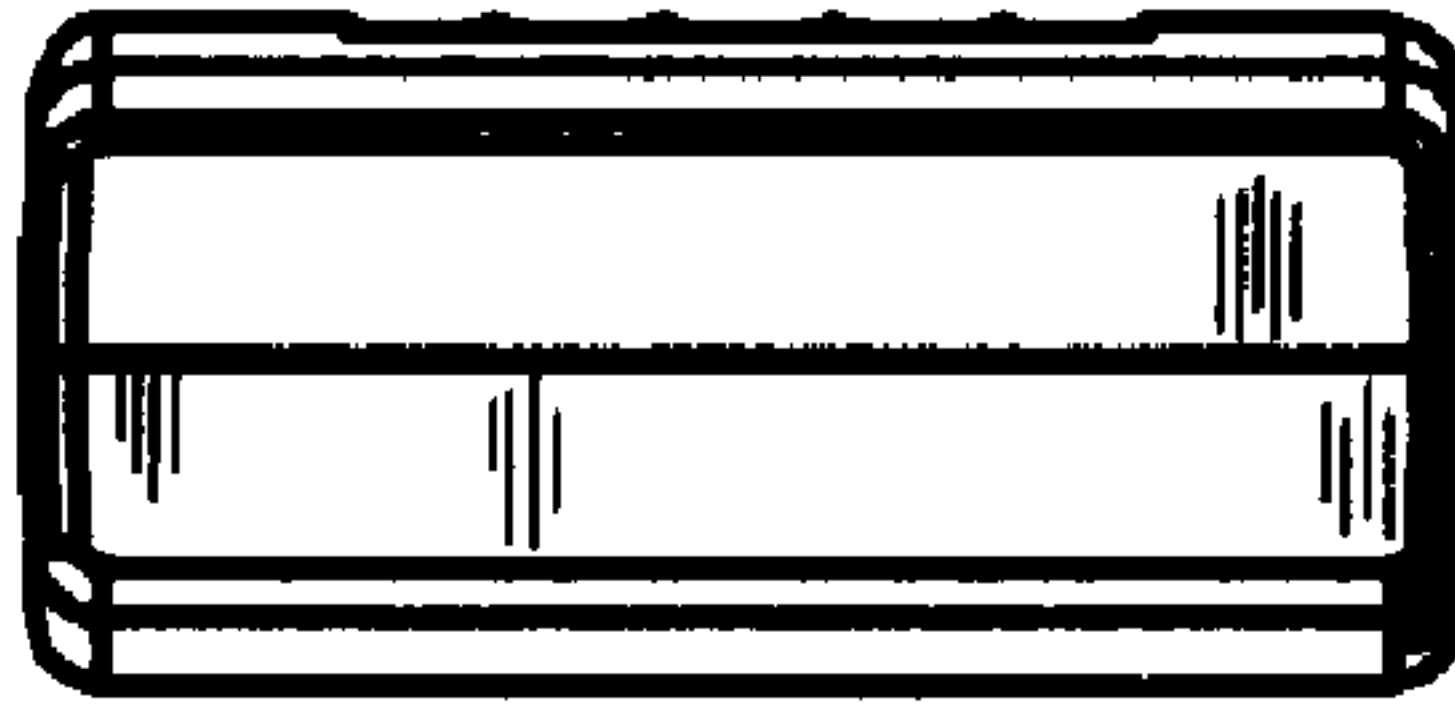


FIG. 5



FIG. 6

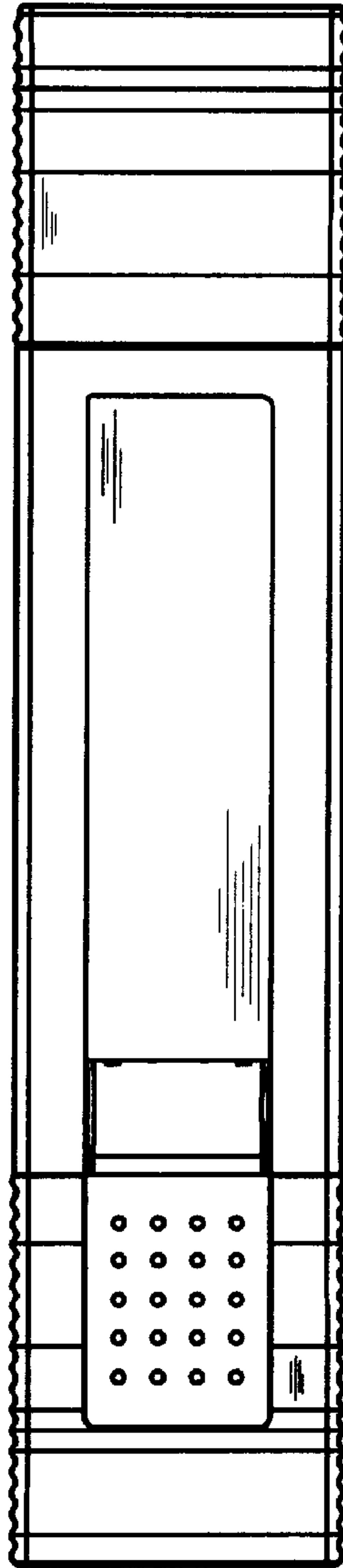


FIG. 7



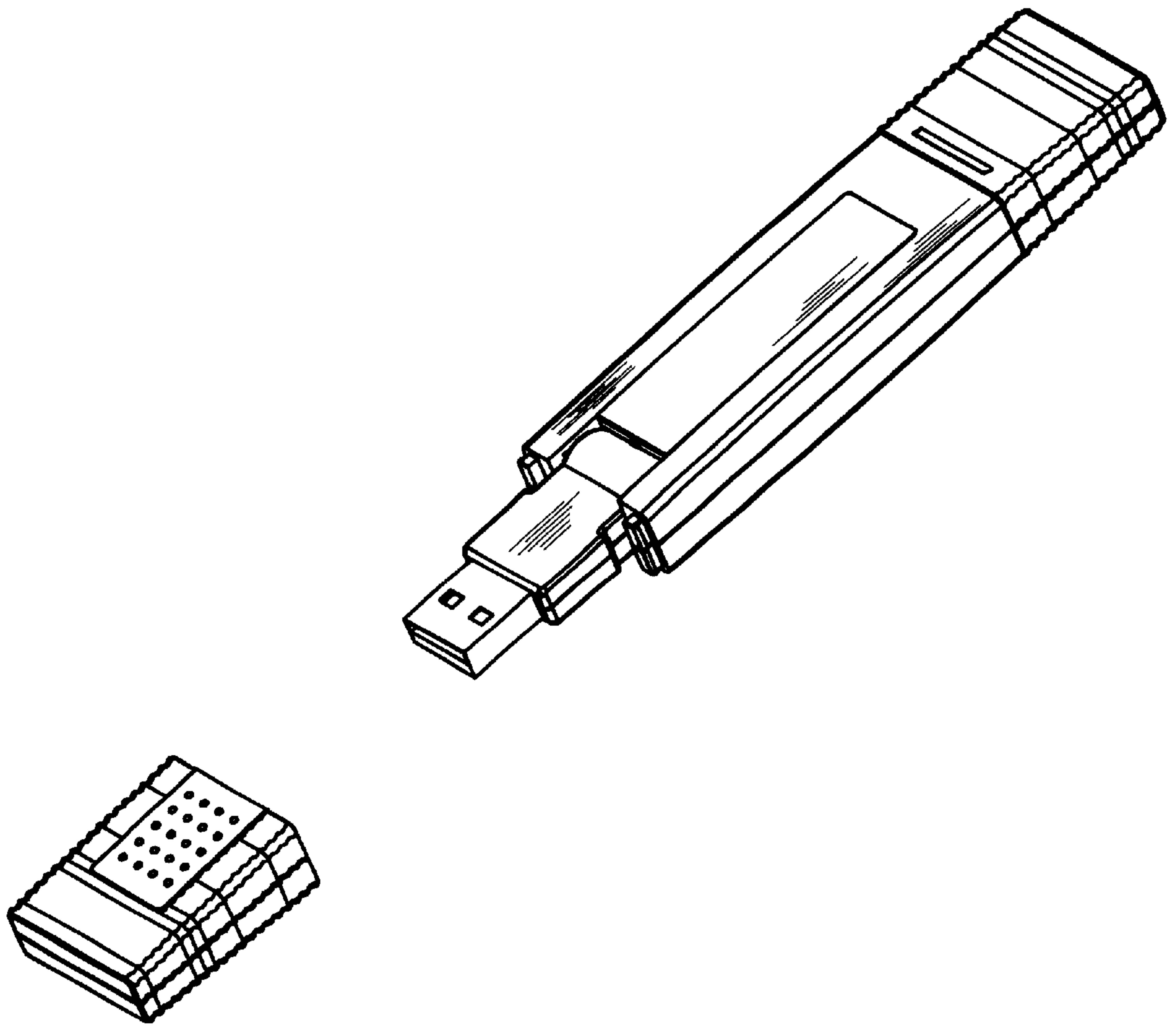


FIG. 8