



US00D488463S

(12) **United States Design Patent**
Ianacone

(10) **Patent No.:** **US D488,463 S**

(45) **Date of Patent:** **** Apr. 13, 2004**

(54) **VEHICLE LOCATING DEVICE**

D432,945 S 10/2000 Icenhour

(76) Inventor: **Kerry Ianacone**, 6360 Montarbor Dr.,
Colorado Springs, CO (US) 80918

(**) Term: **14 Years**

(21) Appl. No.: **29/180,356**

(22) Filed: **Apr. 23, 2003**

(51) **LOC (7) Cl.** **14-03**

(52) **U.S. Cl.** **D14/234; D10/109**

(58) **Field of Search** D10/109-111,
D10/121; 116/28 R, 30, 173, 174; D14/230-238,
299; D12/42, 43, 400; 343/711-717, 702,
720, 900, 901, 907, 872, 873, 878, 879;
455/90, 128

(56) **References Cited**

U.S. PATENT DOCUMENTS

3,128,431	A	*	4/1964	Walker	455/95
3,290,601	A	*	12/1966	Pinizzotto et al.	455/270
3,320,920	A	*	5/1967	Lusebrink	116/28 R
D328,261	S	*	7/1992	Weaks	D10/110
D388,101	S	*	12/1997	Harada	D14/234
D390,144	S	*	2/1998	Rechberg	D10/109
D390,491	S	*	2/1998	Athanasίου	D10/109
5,836,261	A		11/1998	Sutton		
D425,514	S	*	5/2000	Bai et al.	D14/230

OTHER PUBLICATIONS

Western Filament, Inc., *The World of Electrical Materials*, p. 201.

* cited by examiner

Primary Examiner—Louis S. Zarfaz

Assistant Examiner—Deanne Levy

(74) *Attorney, Agent, or Firm*—Richard C. Litman

(57) **CLAIM**

The ornamental design for a vehicle locating device, as shown and described.

DESCRIPTION

FIG. 1 is an environmental perspective view of a vehicle locating device showing my new design;

FIG. 2 is a front elevational view, with the rear being a mirror image, thereof;

FIG. 3 is a left side elevational view thereof;

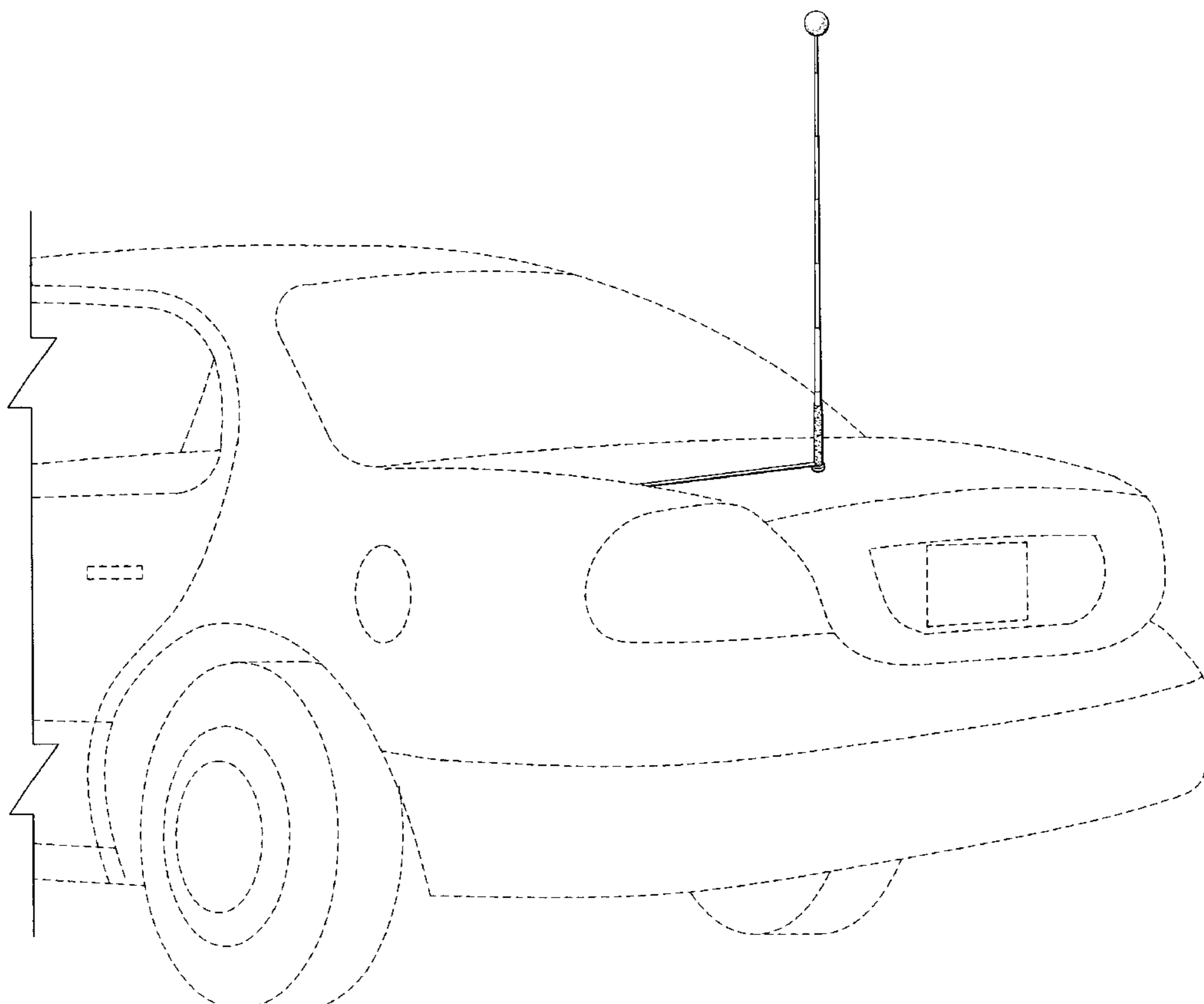
FIG. 4 is right side elevational view thereof;

FIG. 5 is a top view thereof; and,

FIG. 6 is a bottom view thereof.

The broken line showing of the automobile in FIG. 1 is for illustrative purposes only and forms no part of the claimed design.

1 Claim, 5 Drawing Sheets



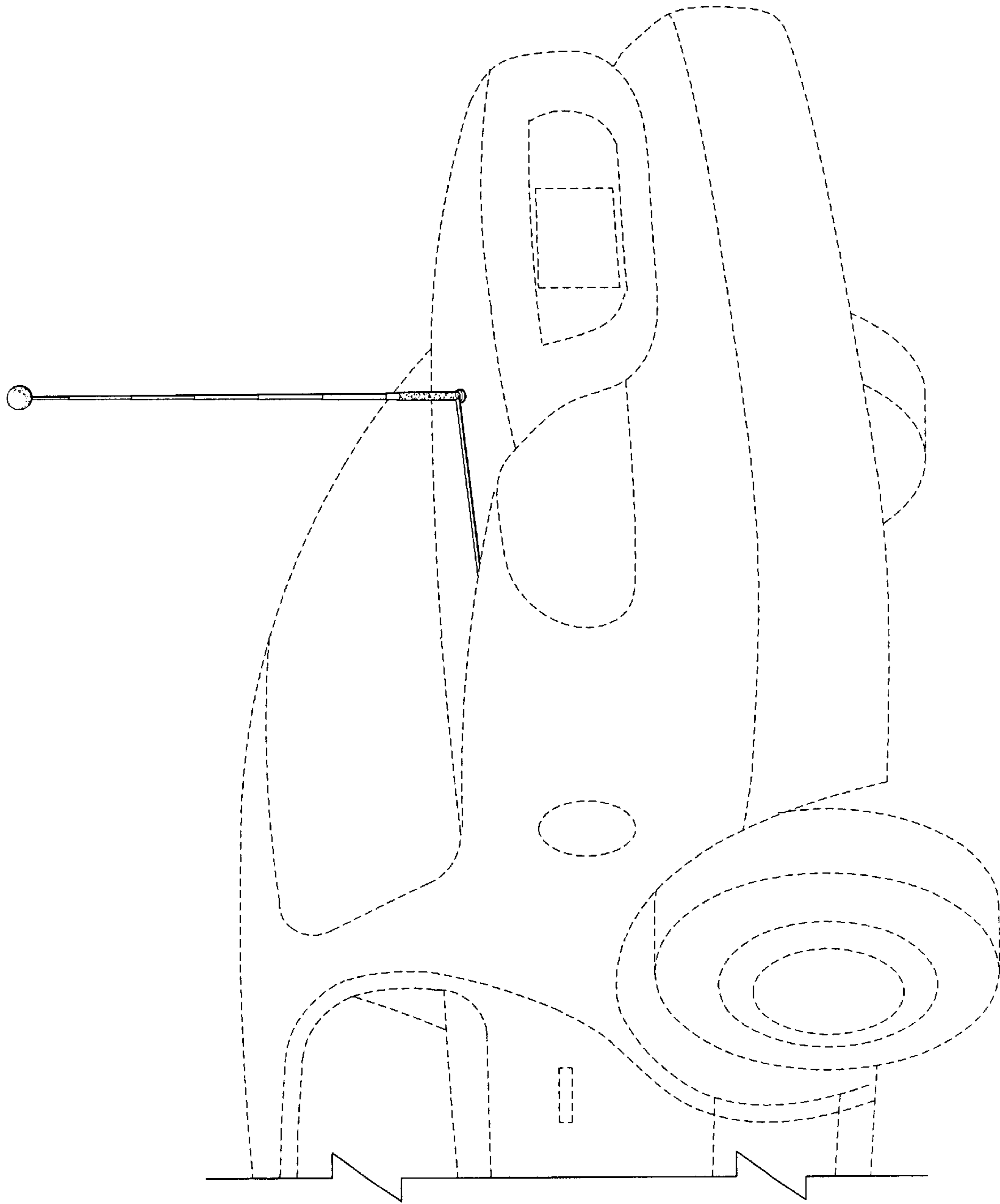


FIG. 1

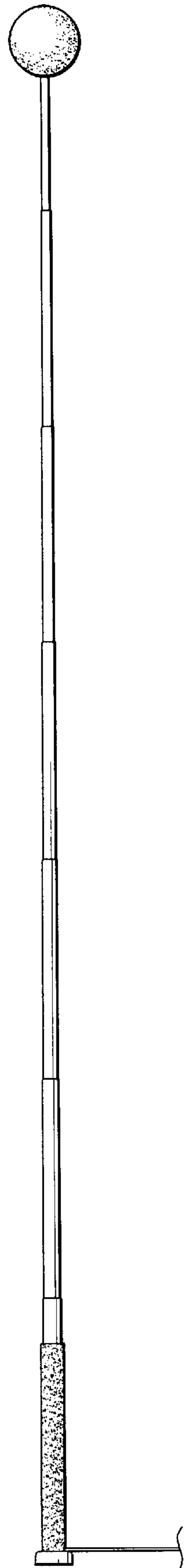


FIG. 2

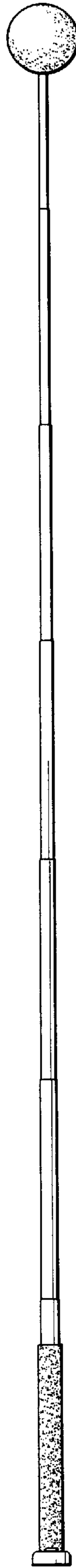


FIG. 3



FIG. 4

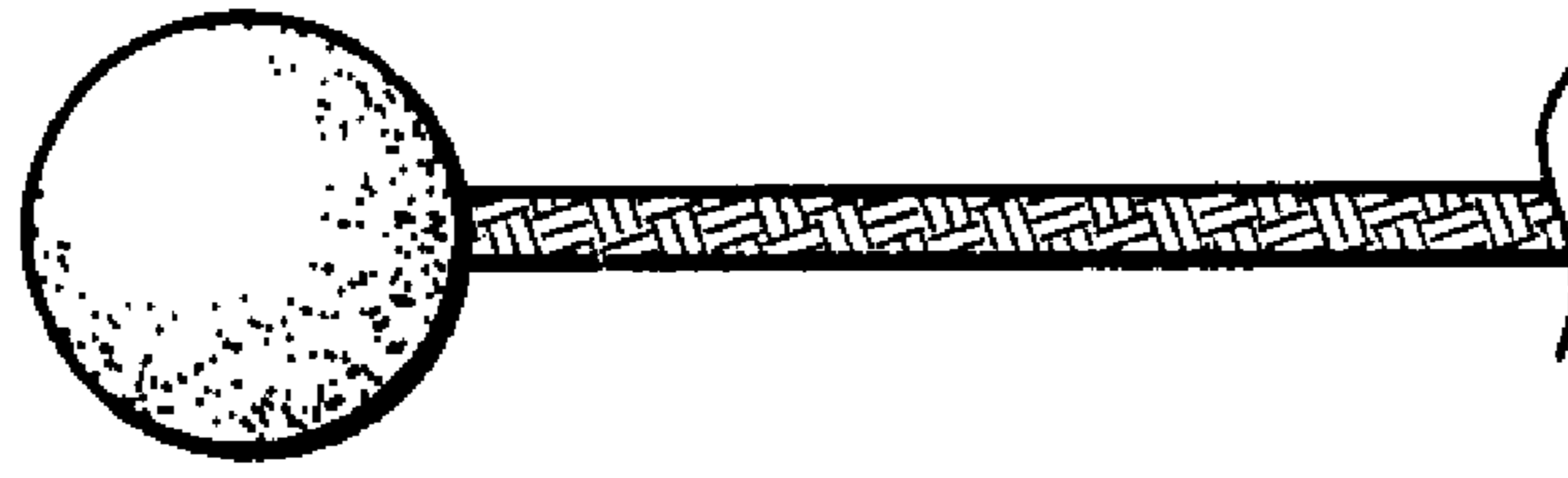


FIG. 5



FIG. 6