



US00D488462S

(12) **United States Design Patent**
Quilling, II et al.

(10) **Patent No.:** **US D488,462 S**

(45) **Date of Patent:** **** Apr. 13, 2004**

(54) **FLAT FACE DUAL COMPARTMENT AUTO STEREO MOUNTING DEVICE**

(75) Inventors: **R. Spencer Quilling, II**, Glenwood, FL (US); **Jacqueline S. Upson**, Daytona Beach, FL (US)

(73) Assignee: **Metra Electronics Corporation**, Holly Hill, FL (US)

(**) Term: **14 Years**

(21) Appl. No.: **29/167,865**

(22) Filed: **Sep. 24, 2002**

(51) **LOC (7) Cl.** **14-01**

(52) **U.S. Cl.** **D14/224**

(58) **Field of Search** D14/224, 204, D14/217, 258, 229, 157; 248/27.1, 27.3, 220.3, 221.3, 221.4, 558; 403/4; 455/345; 361/685

(56) **References Cited**

U.S. PATENT DOCUMENTS

5,106,039	A	4/1992	Gross	248/27.1
5,467,947	A	11/1995	Quilling, II	248/27.1
D401,591	S	11/1998	Jones, Jr.	D14/224
D418,838	S	1/2000	Jones, Jr.	D14/224
D481,378	S	* 10/2003	Quilling et al.	D14/224
D482,023	S	* 11/2003	Quilling et al.	D14/224
D482,024	S	* 11/2003	Quilling et al.	D14/224
D483,027	S	* 12/2003	Quilling et al.	D14/224

OTHER PUBLICATIONS

Metra 2001 Autosound Installation Products Catalog, pp. Cover, 1-62, Published May 2001.

* cited by examiner

Primary Examiner—Paula A. Mortimer
(74) *Attorney, Agent, or Firm*—Fitzpatrick, Cella, Harper & Scinto

(57) **CLAIM**

We claim the ornamental design for a flat face dual compartment auto stereo mounting device, as shown and described.

DESCRIPTION

FIG. 1 is a right front perspective view of a flat face dual compartment auto stereo mounting device showing a first embodiment of our design, with environmental structure for an interface with a vehicle dashboard mounting structure shown in dotted line, and not forming part of the claimed design;

FIG. 2 is a front elevation view of FIG. 1;

FIG. 3 is a top plan view of FIG. 1;

FIG. 4A is a right side elevation view of FIG. 1, the left side being a mirror image thereof;

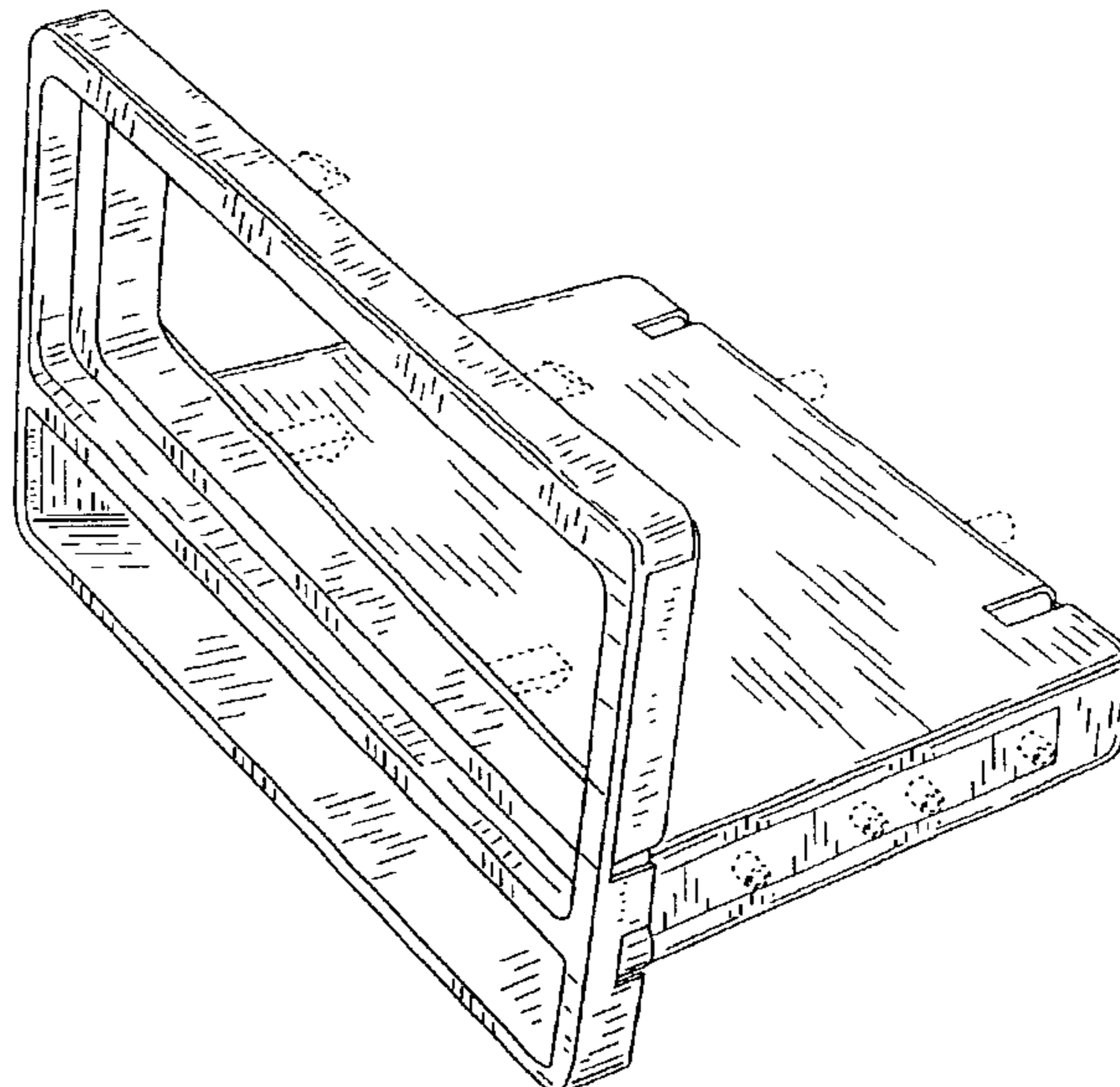
FIG. 4B is a right side elevation in cross-section, along line 4B—4B of FIG. 2, to better illustrate certain features of the disclosed design;

FIG. 5 is a bottom plan view of FIG. 1; and,

FIG. 6 is a rear elevation view of FIG. 1.

The appearance of our design for a flat face dual compartment auto stereo mounting device, characterized by a compound curved front surface that is intersected by a planar opening and flange for accepting a standard autosound head unit, such as a DIN radio with a CD-Rom changer or the like, and a narrow horizontal pocket adapted to accept the insertion of a CD-Rom jewel case from the front.

1 Claim, 7 Drawing Sheets



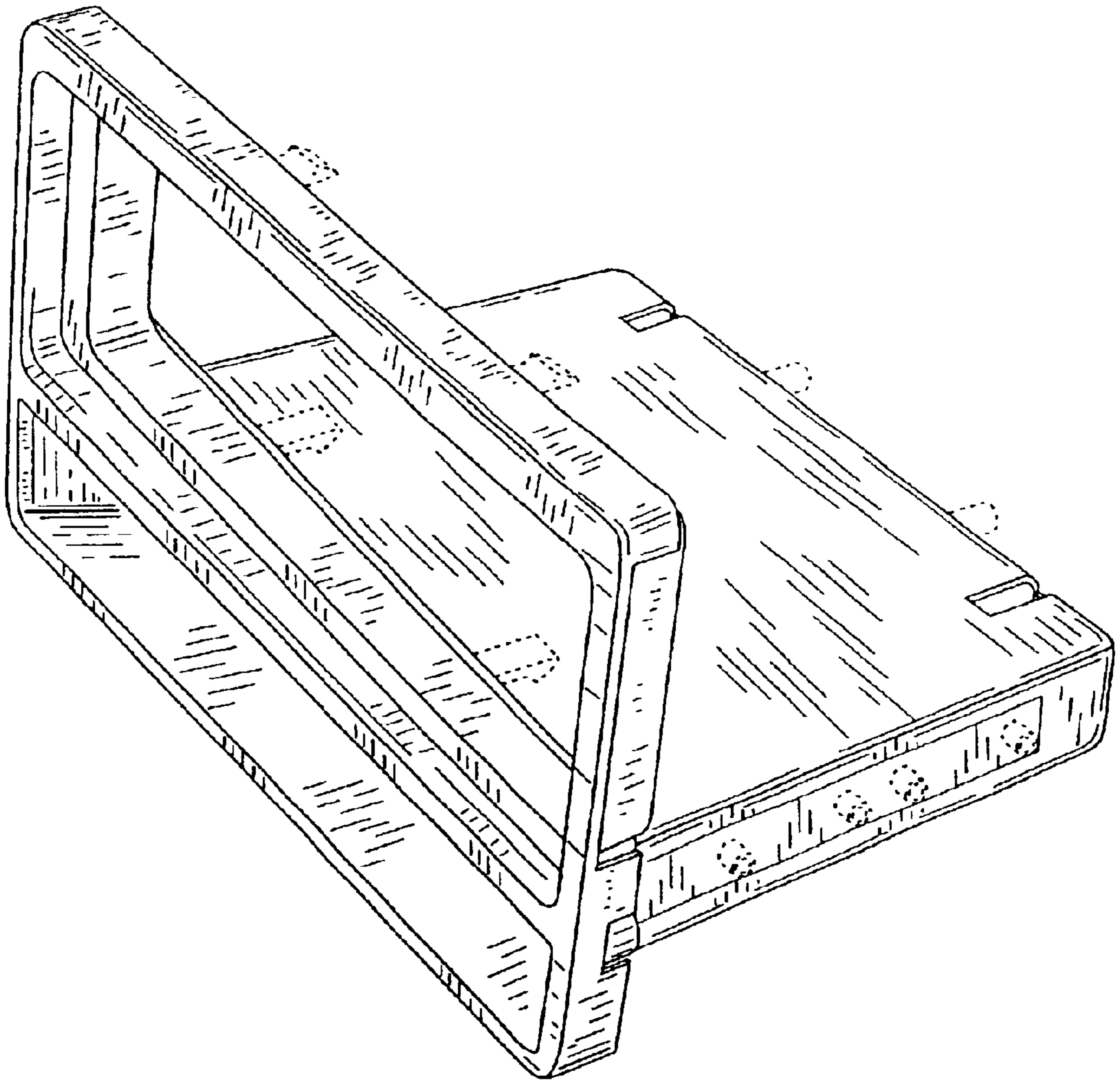


FIG. 1

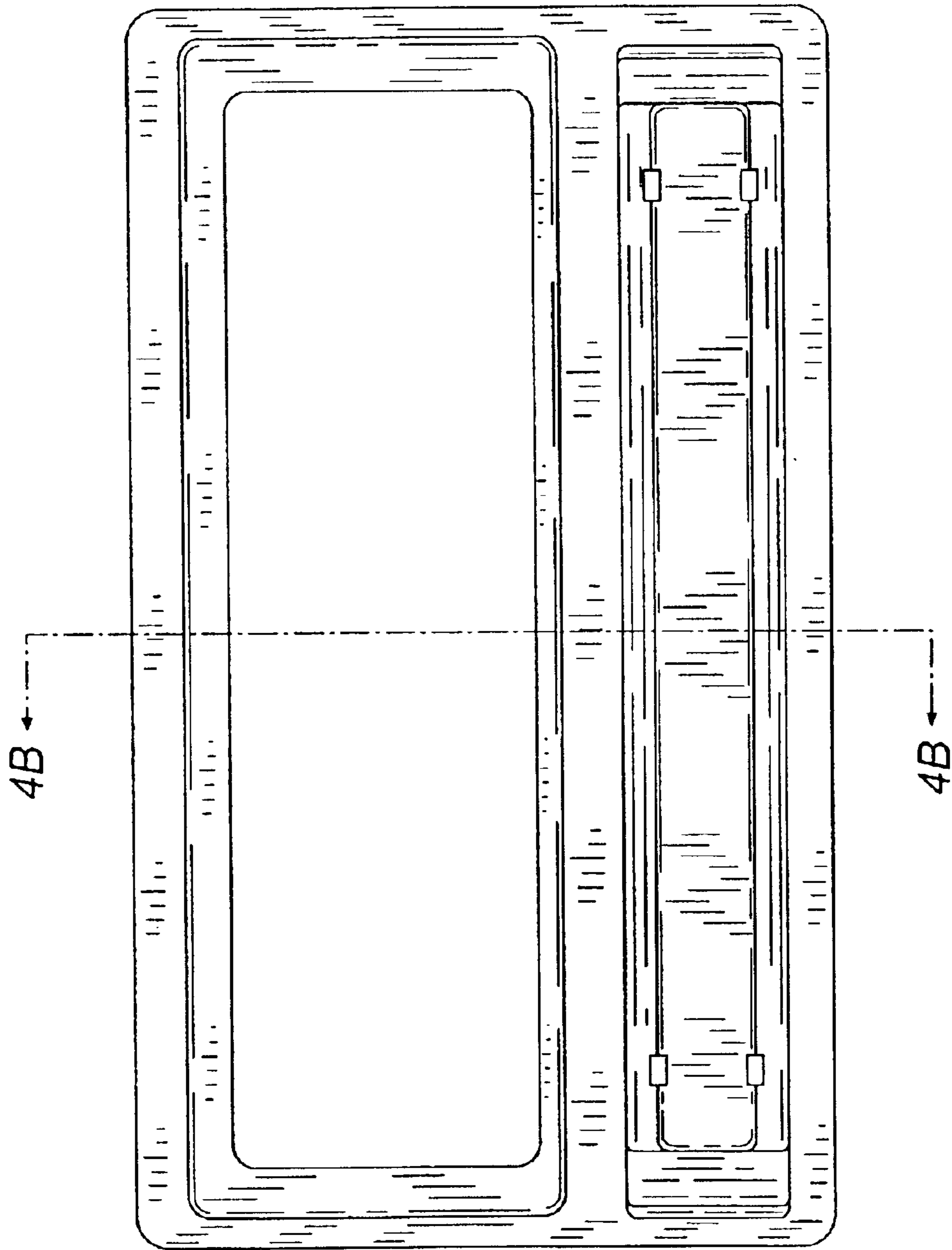


FIG. 2

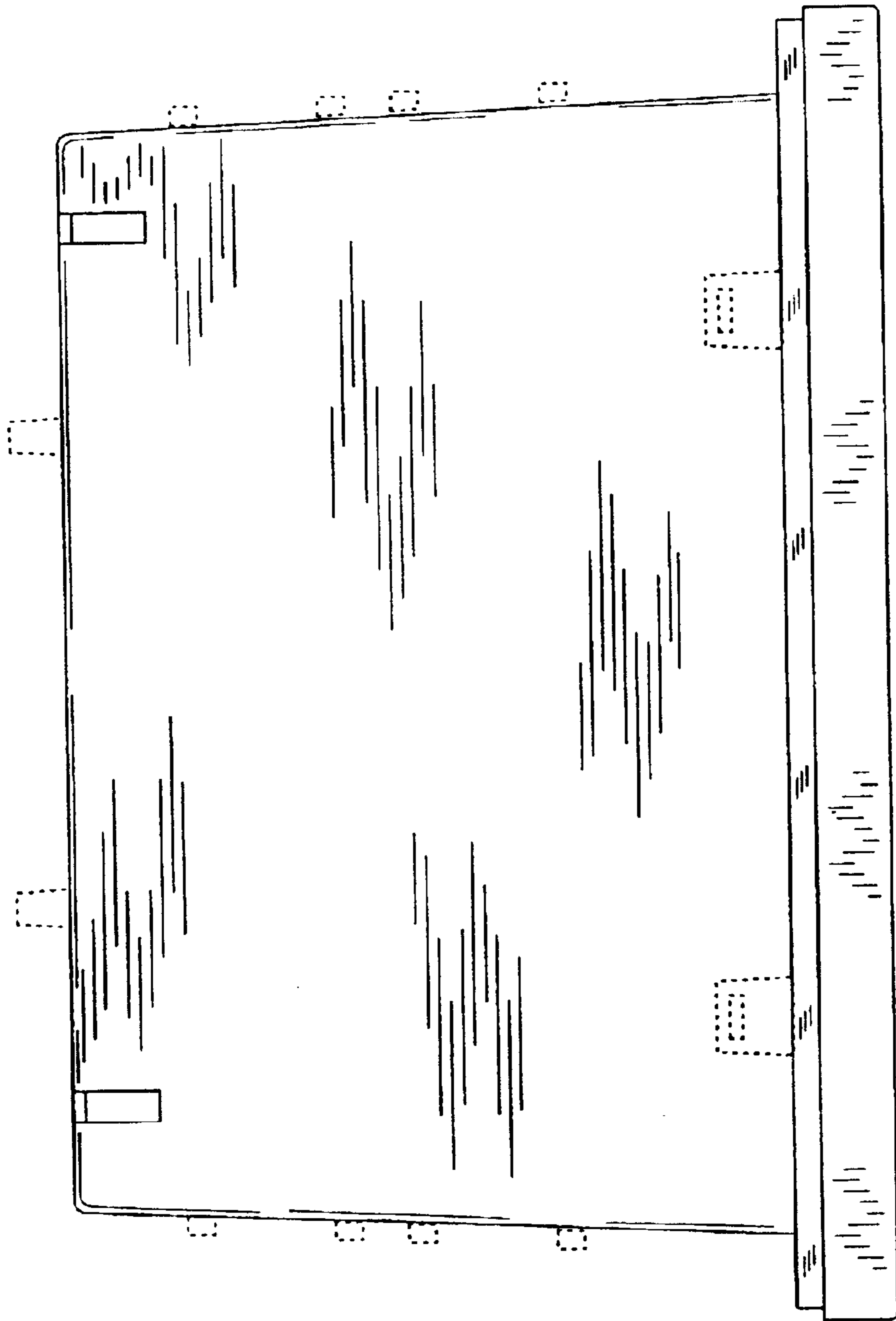


FIG. 3

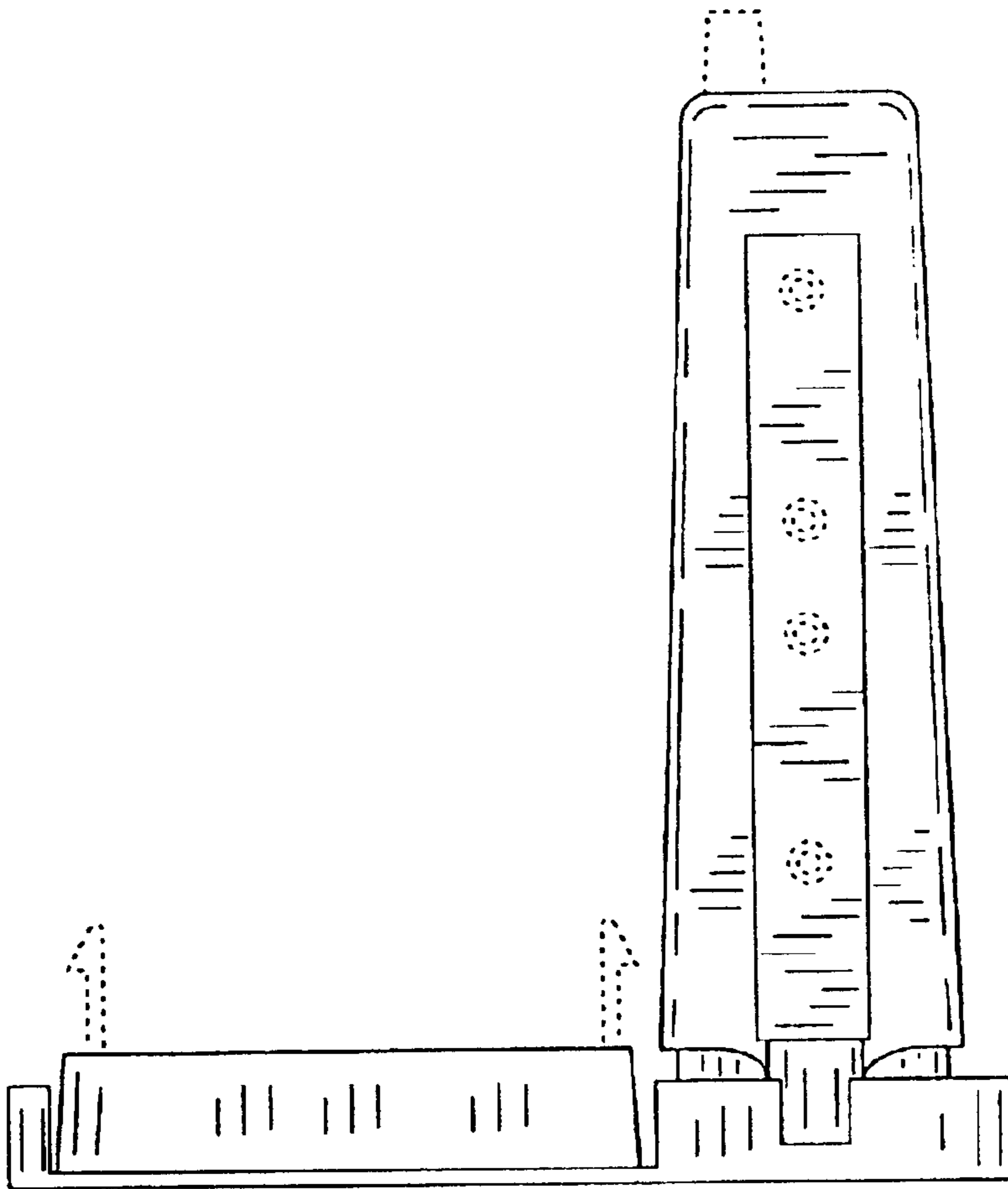


FIG. 4A

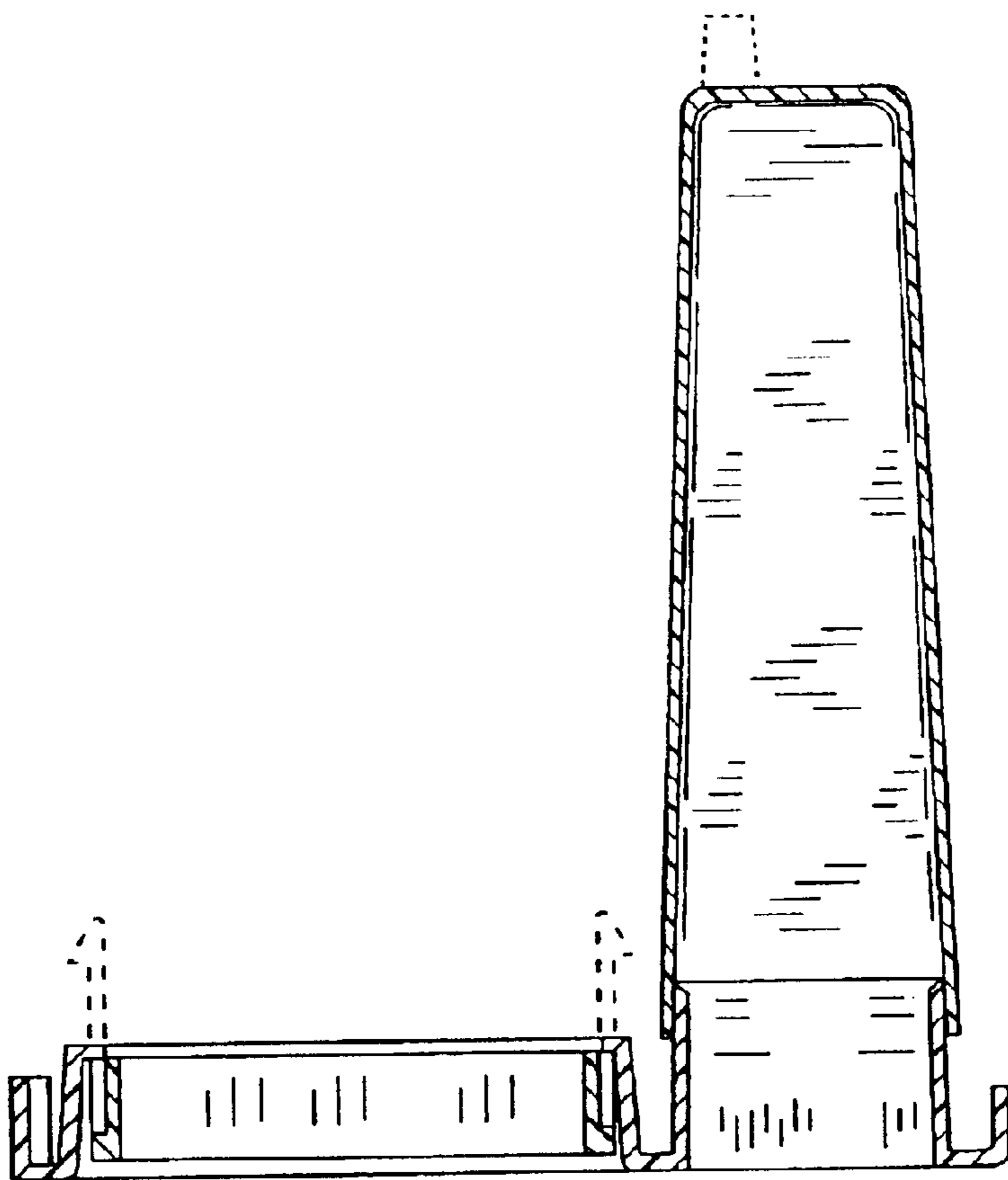


FIG. 4B

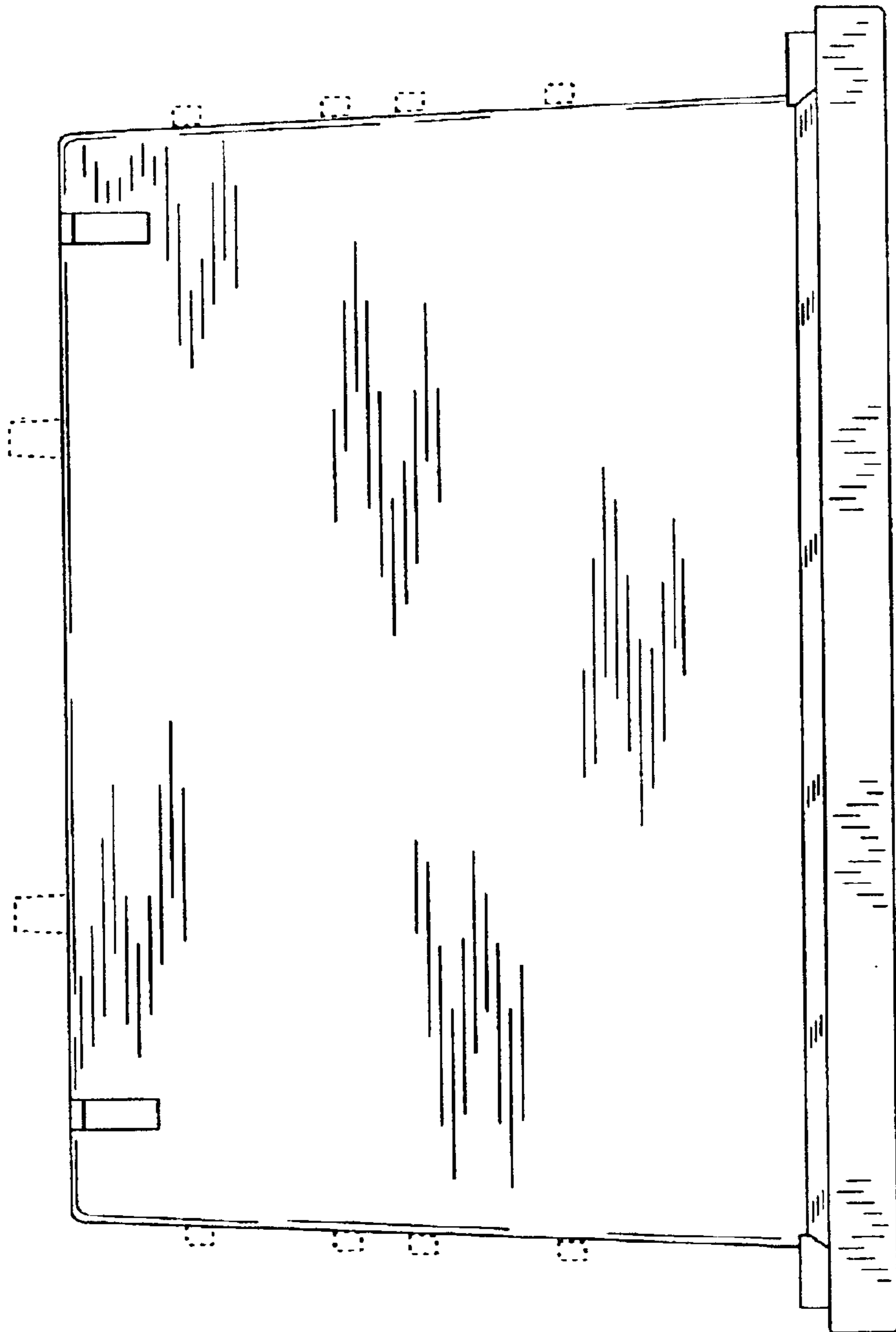


FIG. 5

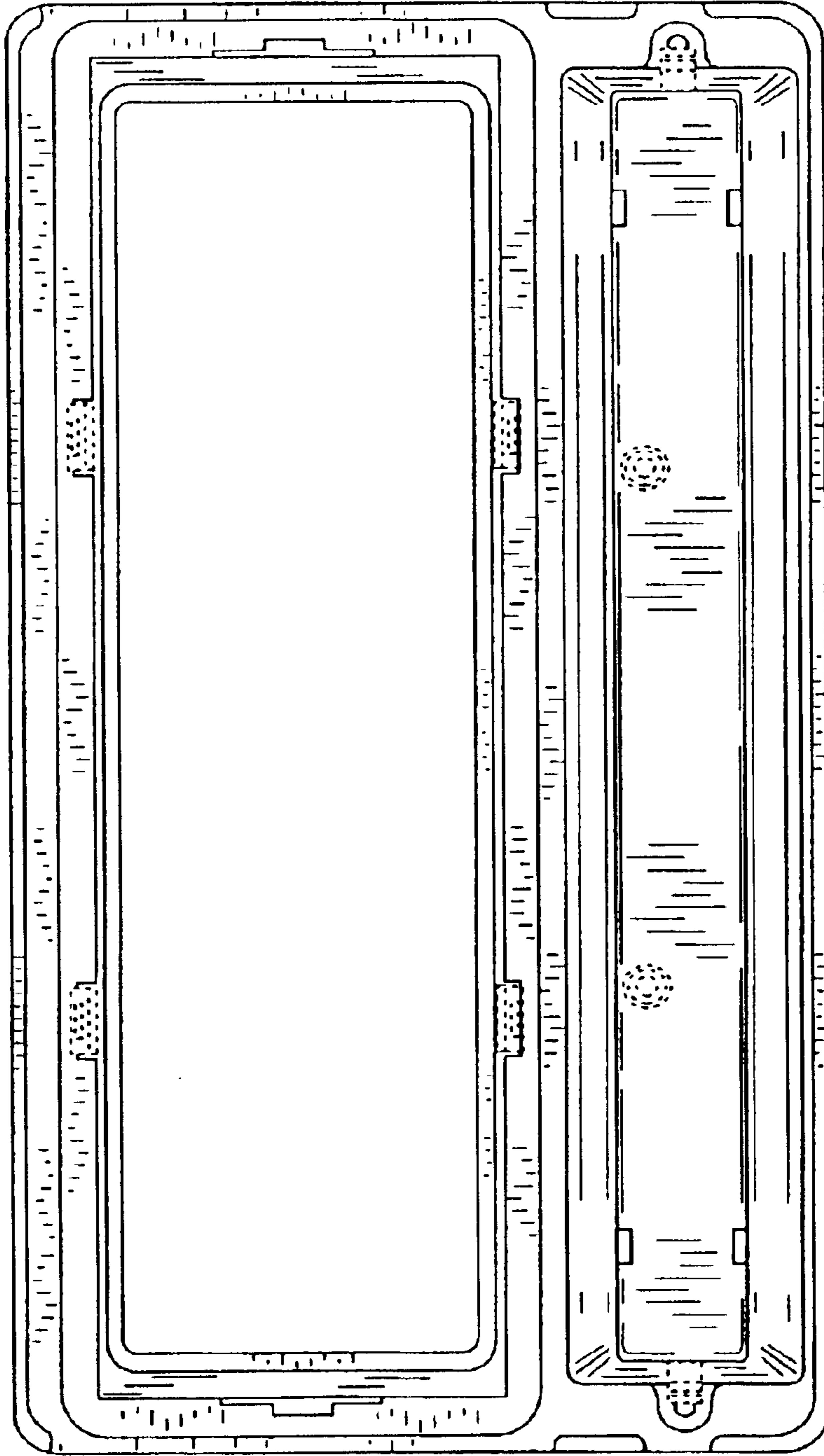


FIG. 6