



US00D488459S

(12) **United States Design Patent**
Ota

(10) **Patent No.:** **US D488,459 S**

(45) **Date of Patent:** **** Apr. 13, 2004**

(54) **SPEAKER BOX**

(75) Inventor: **Kiyoshi Ota**, Tokyo (JP)

(73) Assignee: **Sony Corporation**, Tokyo (JP)

(**) Term: **14 Years**

(21) Appl. No.: **29/181,494**

(22) Filed: **May 13, 2003**

(51) **LOC (7) Cl.** **14-01**

(52) **U.S. Cl.** **D14/211**

(58) **Field of Search** D14/204, 207,
D14/209-216, 356; 181/143-145, 147-148,
150, 153, 157, 198-199; 381/300-302,
306, 333, 345, 361-364, 386-388

(56) **References Cited**

U.S. PATENT DOCUMENTS

D390,845 S	2/1998	Hakoda	
D391,574 S	* 3/1998	Chen	D14/211
D409,616 S	* 5/1999	Goto	D14/214
D437,843 S	2/2001	Masui	
D448,753 S	* 10/2001	Masui	D14/214
D449,828 S	* 10/2001	Pardo et al.	D14/215
D451,085 S	11/2001	Masui	

OTHER PUBLICATIONS

Cataloge "System Stereo", pp. 6 & 10, Sony (Jun. 2002).
Web page "SS-LA500ED,SA-WD200," <http://www.sony.jp/CorporateCruise/Press/200108/01-0821>, 1 sheet, Sony Marketing (Feb. 2003).

* cited by examiner

Primary Examiner—Nanda Bondade

(74) *Attorney, Agent, or Firm*—Rader, Fishman & Grauer PLLC

(57) **CLAIM**

The ornamental design for a speaker box, as shown.

DESCRIPTION

FIG. 1 is a perspective view of a speaker box showing my new design;

FIG. 2 is a front elevational view thereof;

FIG. 3 is a rear elevational view thereof;

FIG. 4 is a left side elevational view thereof;

FIG. 5 is a right side elevational view thereof;

FIG. 6 is a top plan view thereof; and,

FIG. 7 is a bottom plan view thereof.

1 Claim, 4 Drawing Sheets

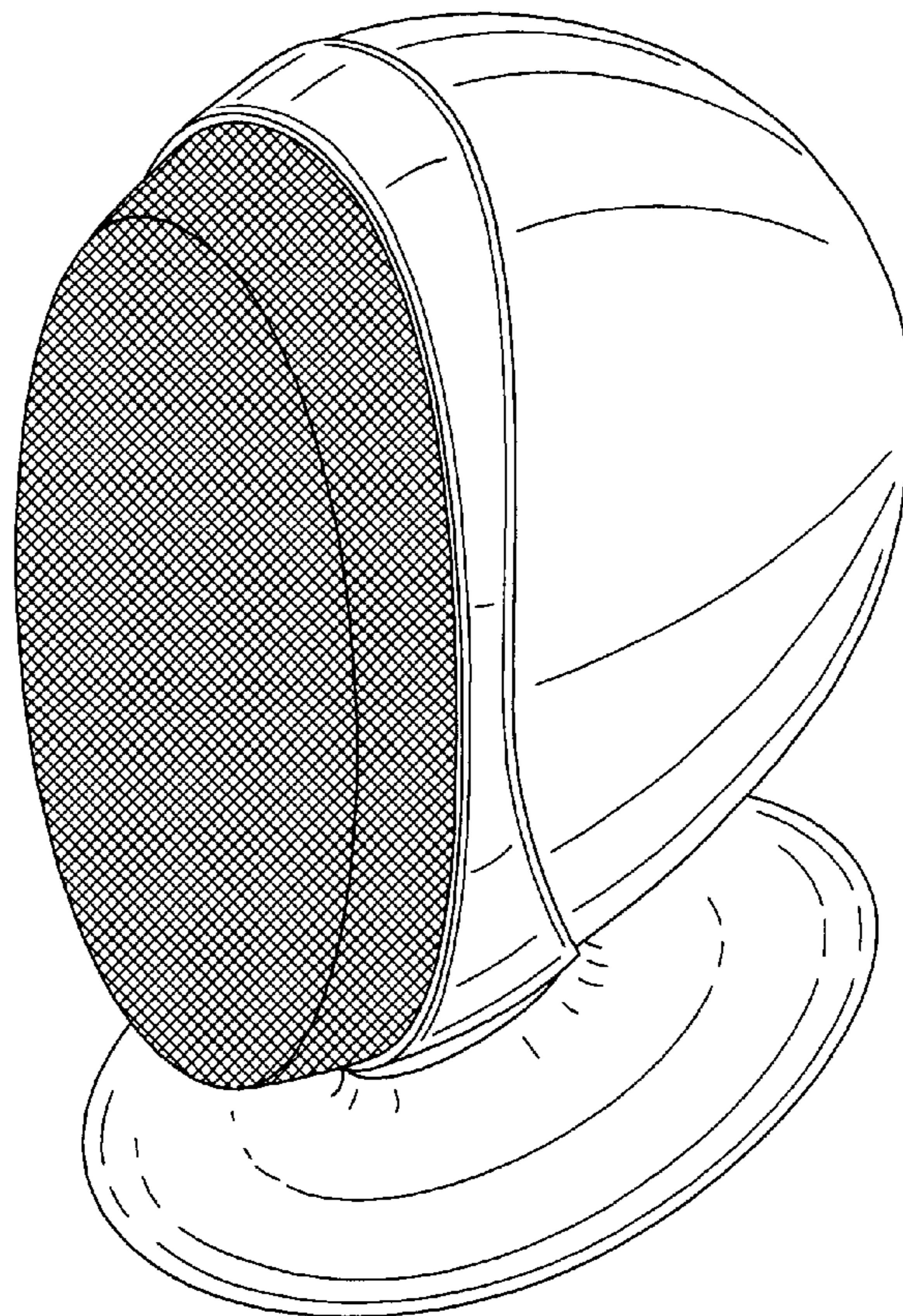


FIG. 1

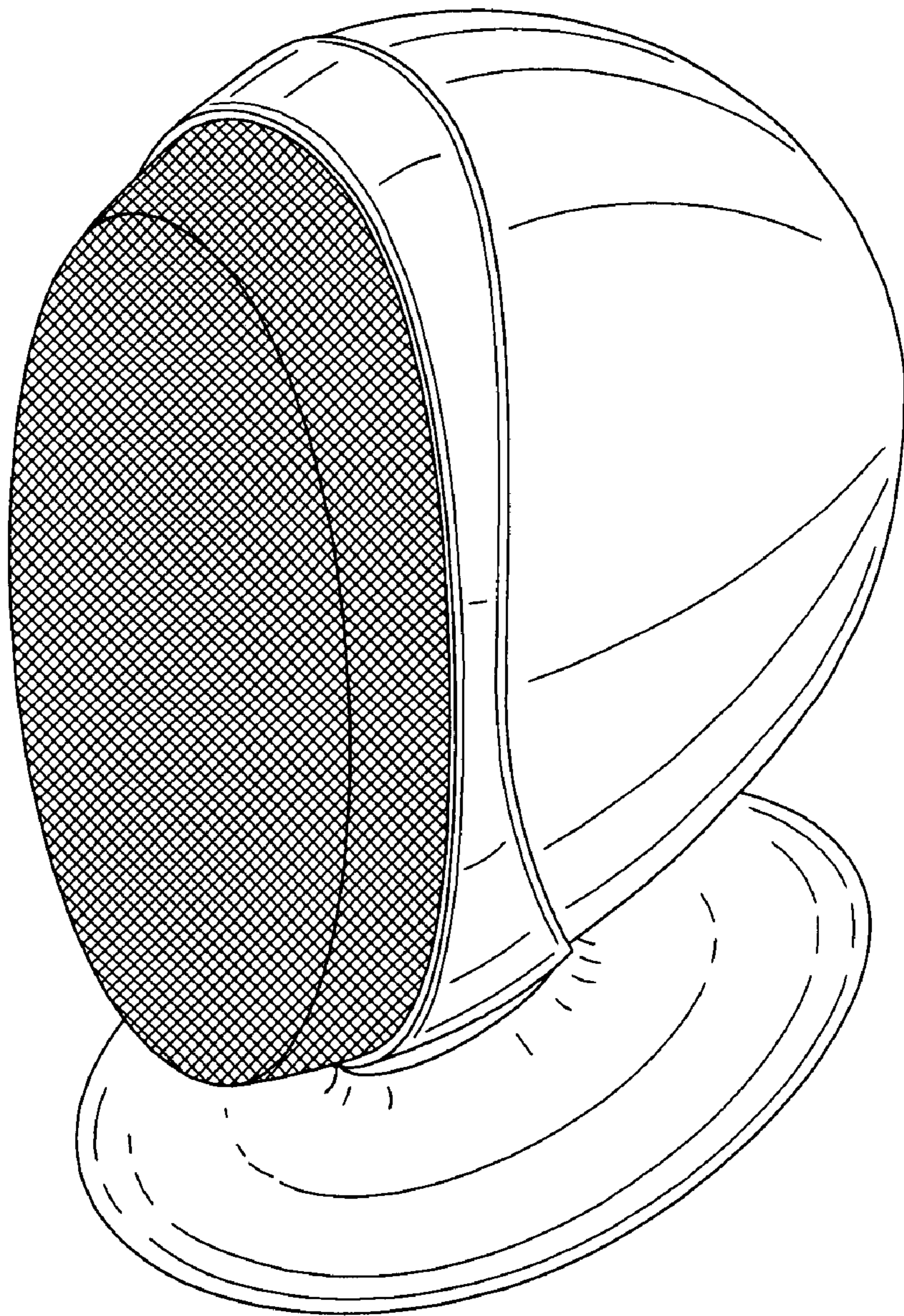


FIG. 2

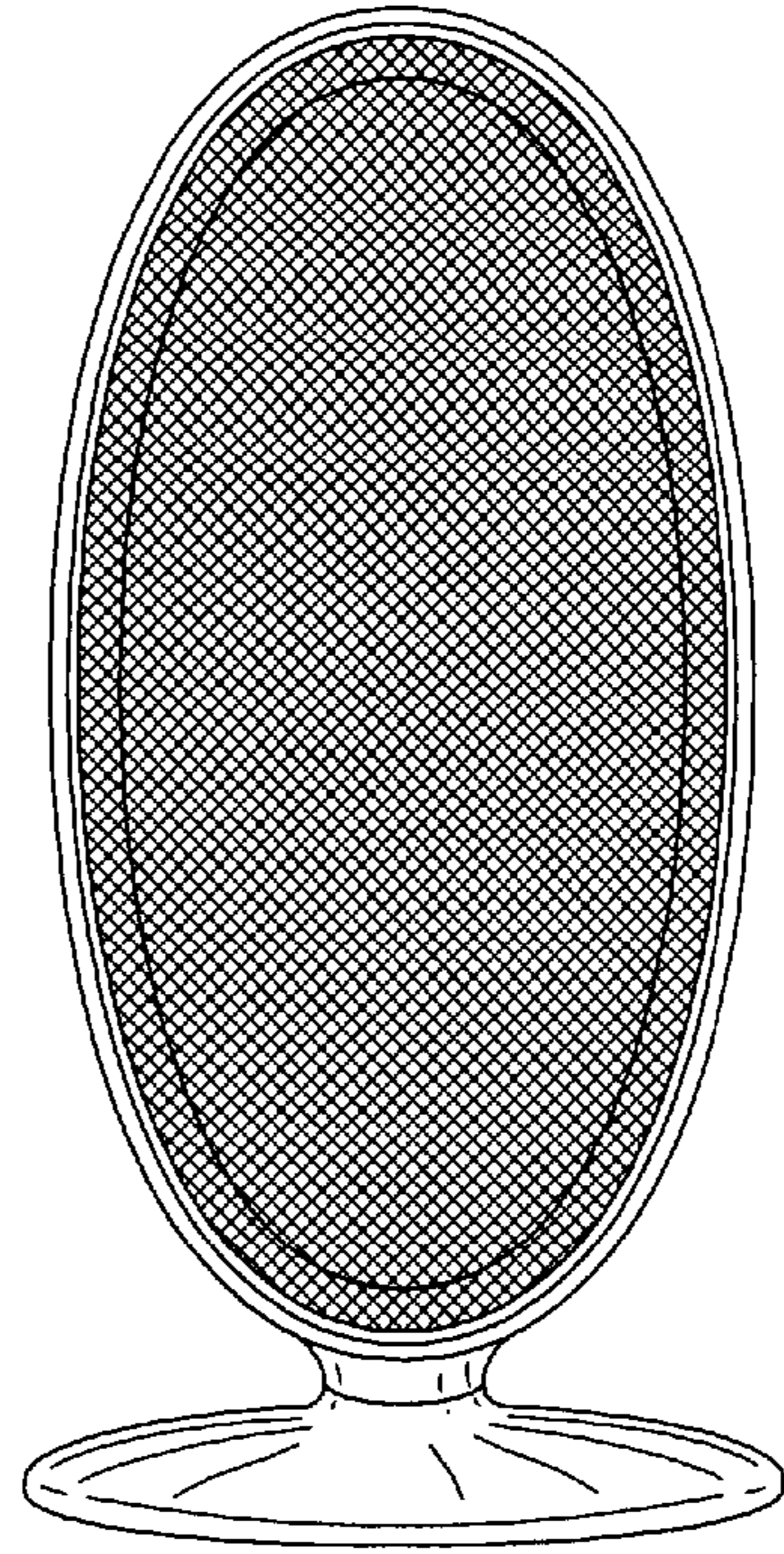


FIG. 3

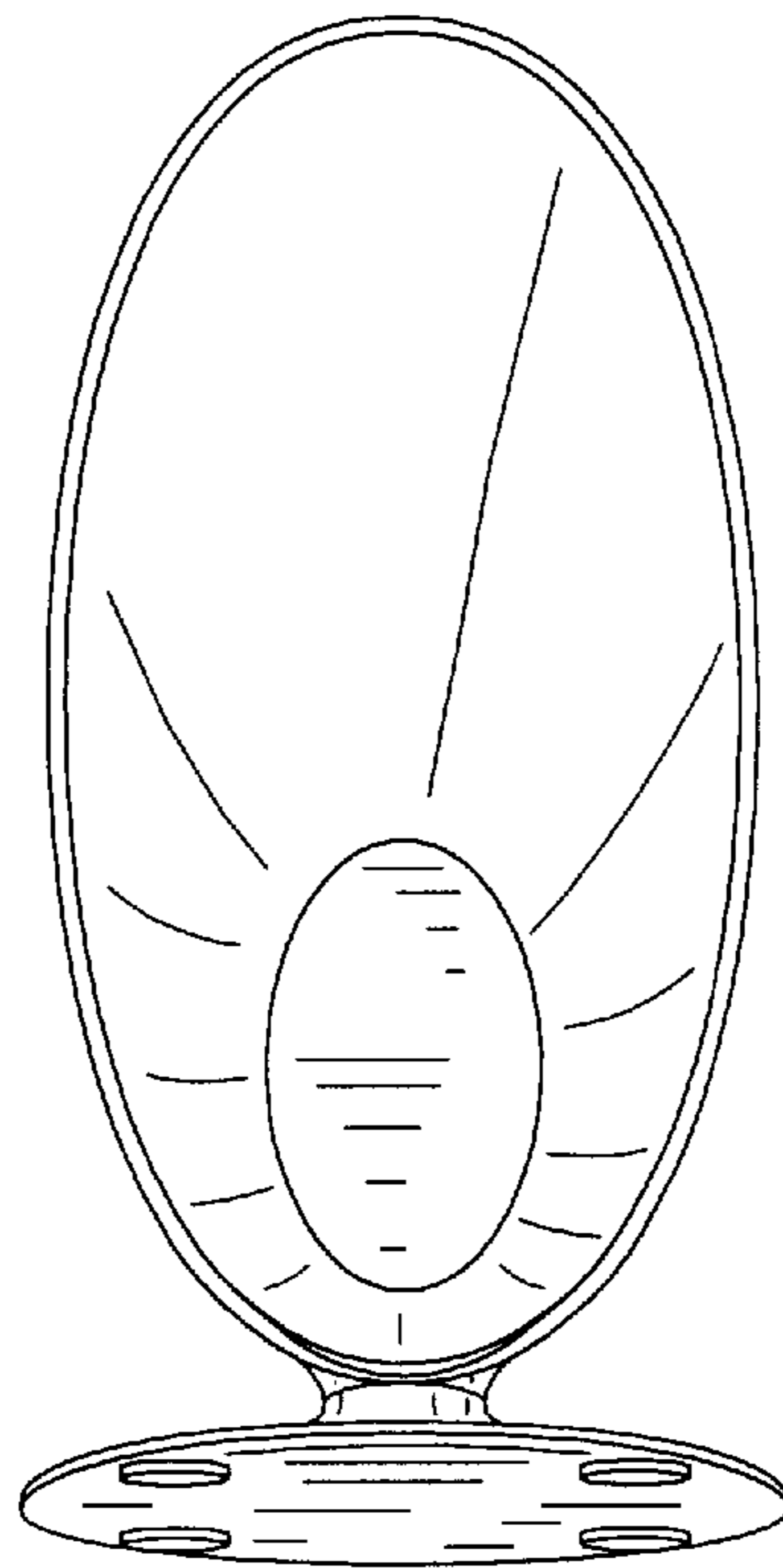


FIG. 4

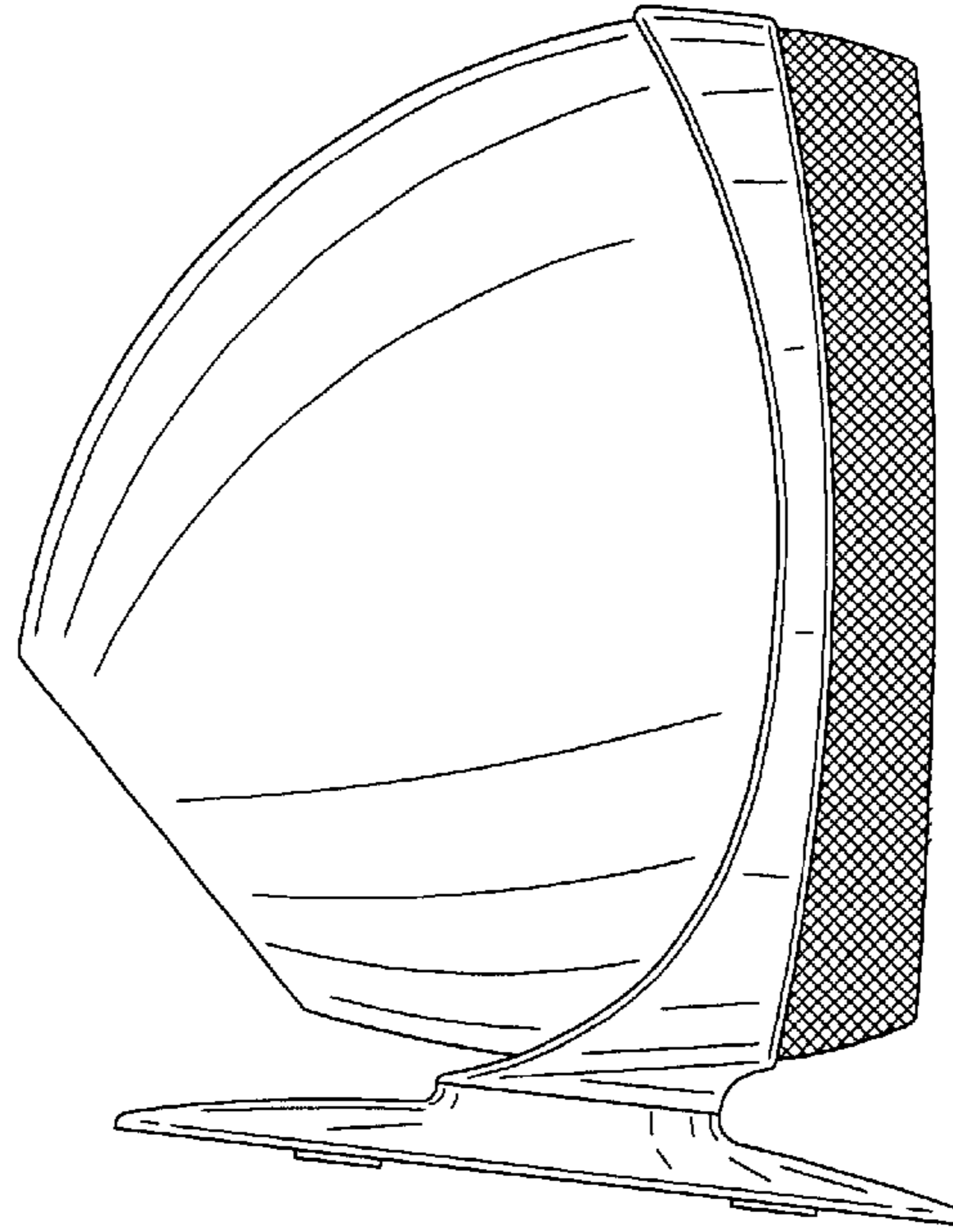


FIG. 5

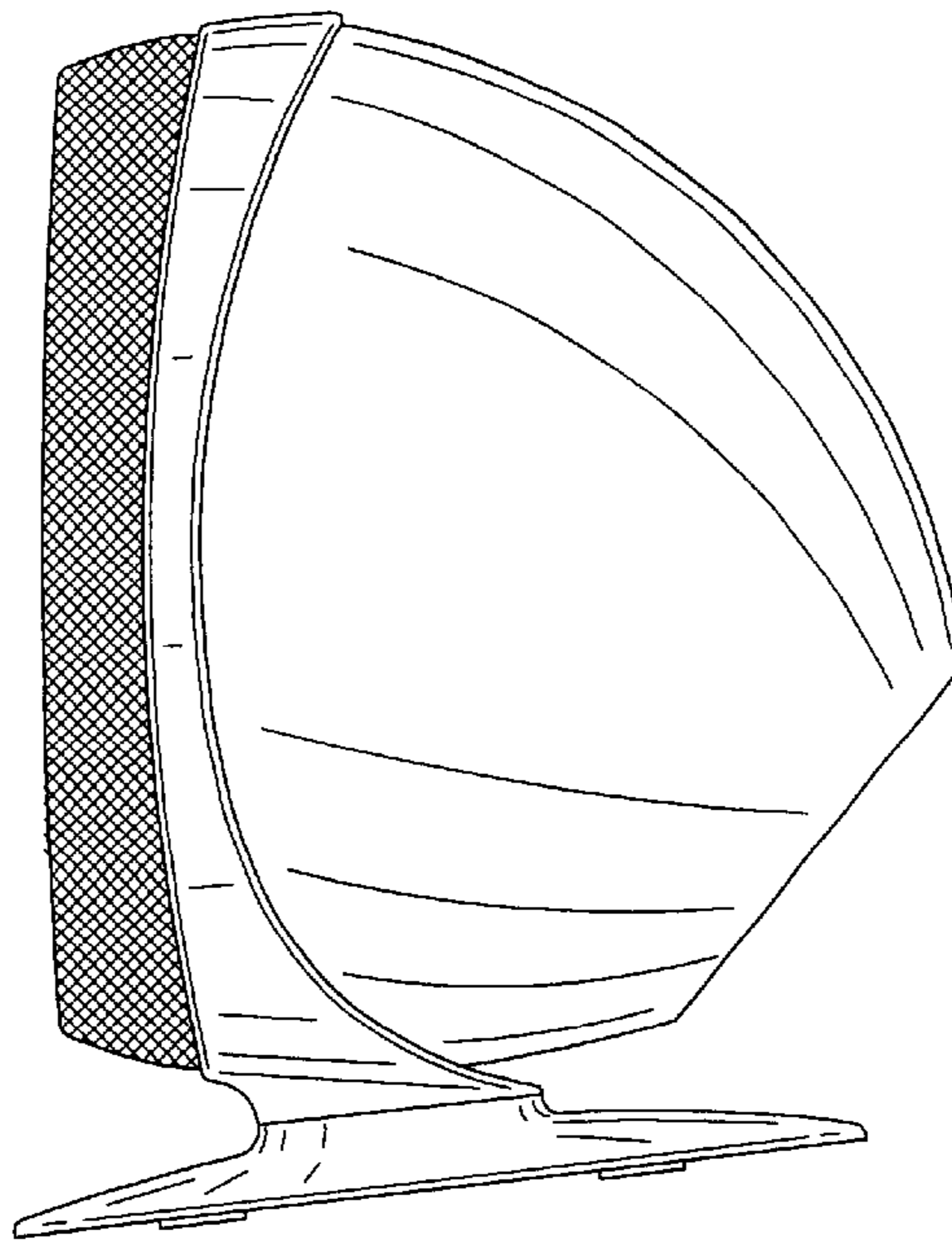


FIG. 6

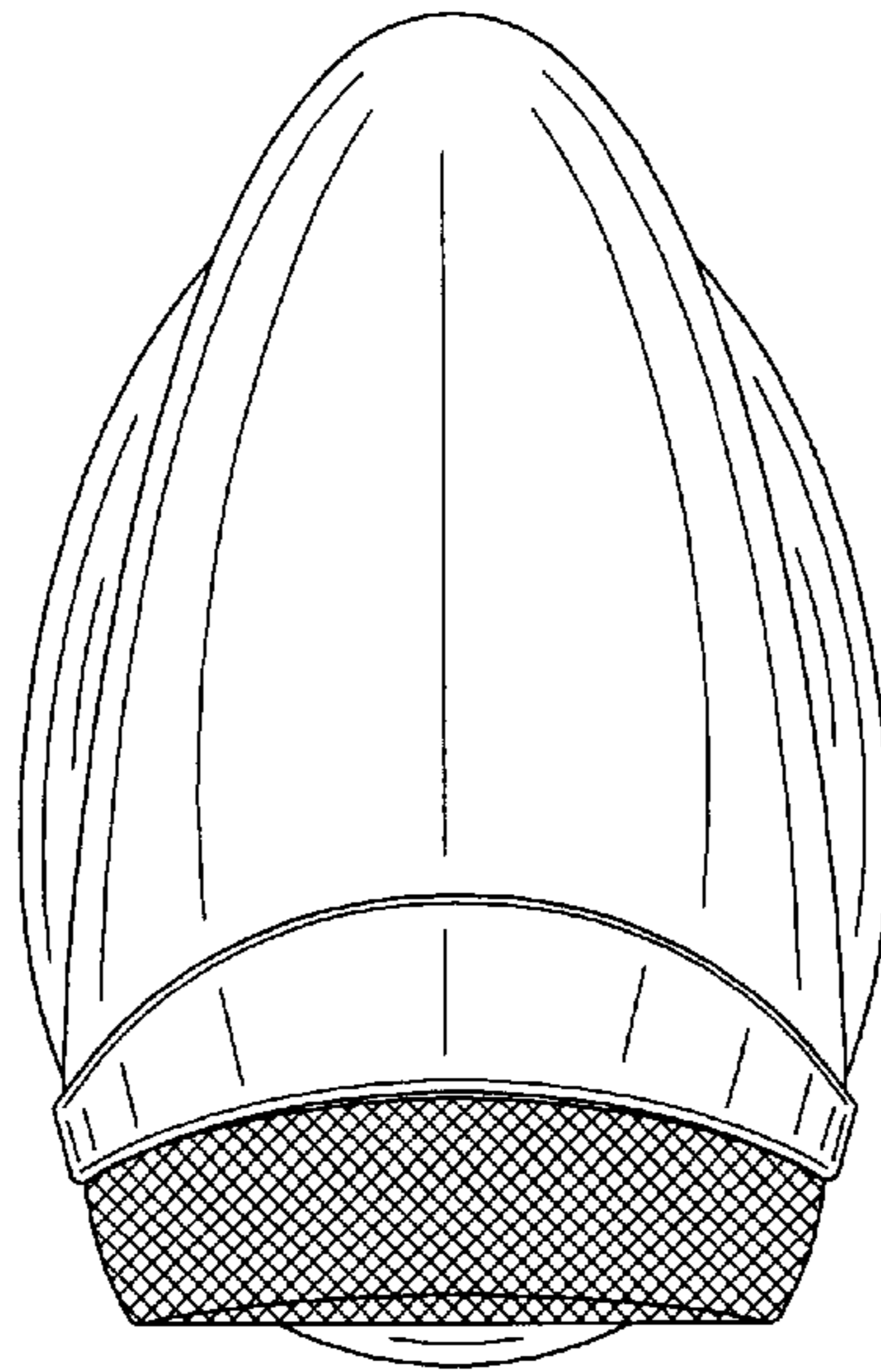


FIG. 7

