



US00D488458S

(12) **United States Design Patent**
Marx

(10) **Patent No.:** **US D488,458 S**

(45) **Date of Patent:** **** Apr. 13, 2004**

(54) **CLOCK RADIO AND LAMP**

(76) **Inventor:** **Martin G. Marx**, 4895 Winding Way
Dr., Howell, MI (US) 48843

(**) **Term:** **14 Years**

(21) **Appl. No.:** **29/185,320**

(22) **Filed:** **Jun. 24, 2003**

(51) **LOC (7) Cl.** **14-01**

(52) **U.S. Cl.** **D14/168; D14/171**

(58) **Field of Search** D14/168, 170-171,
D14/188, 198, 257-258, 157; 455/344,
347, 350-351; D10/1-2, 15, 5, 21, 52,
65, 106; 362/285, 287, 410, 413-414, 427,
486, 253, 806

(56) **References Cited**

U.S. PATENT DOCUMENTS

D149,022 S * 3/1948 Robinson, Jr. D26/52

D155,451 S * 10/1949 Provenzano D26/52

D198,390 S * 6/1964 Meccariello D26/52

D351,246 S * 10/1994 Yuen D14/168

D370,285 S * 5/1996 Widdup D10/5

* cited by examiner

Primary Examiner—Nanda Bondade

(57) **CLAIM**

The ornamental design for a clock radio and lamp, as shown and described.

DESCRIPTION

FIG. 1 is a front elevational view of a clock radio and lamp showing my new design;

FIG. 2 is a rear elevational view thereof;

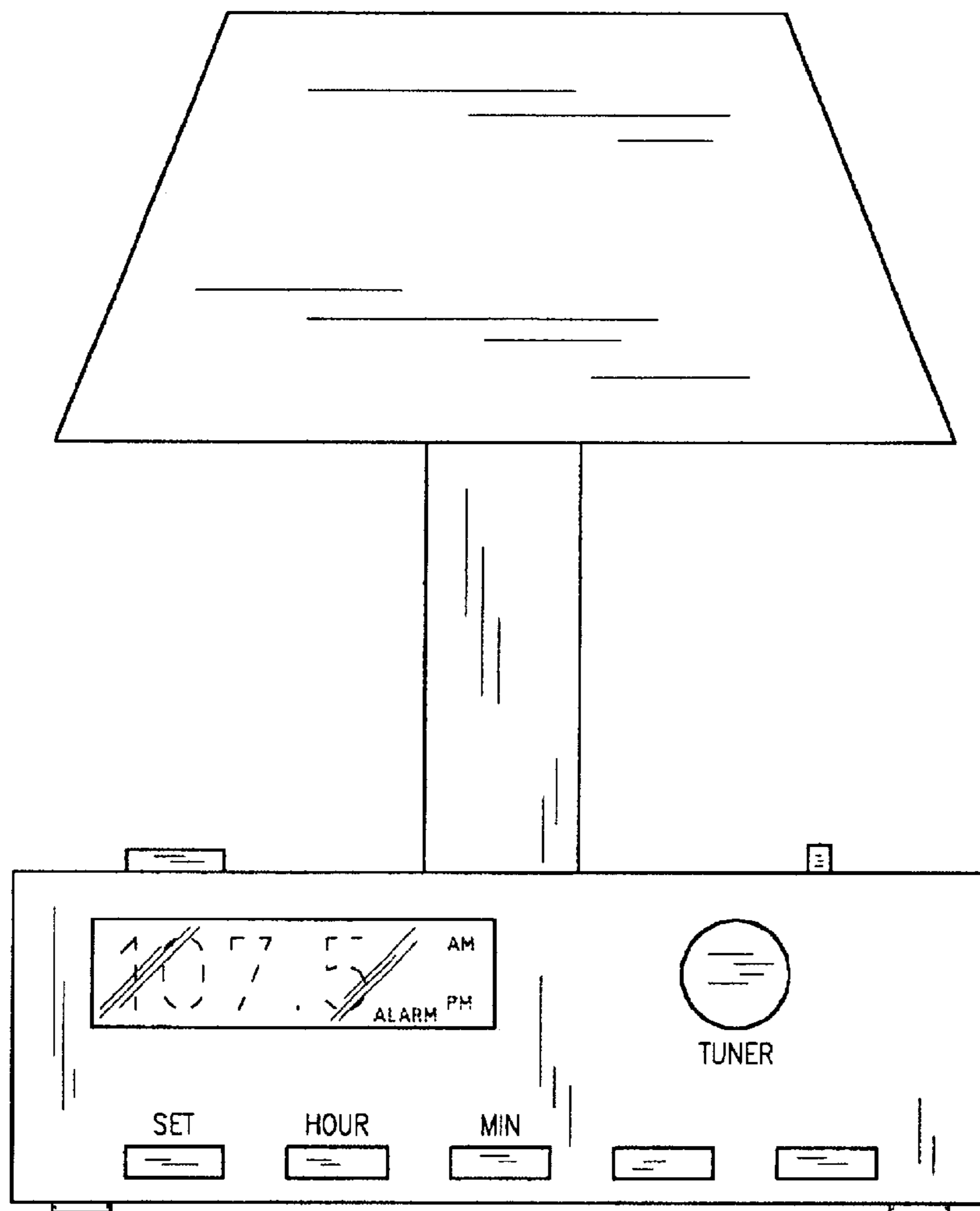
FIG. 3 is a side view, taken from the left side of FIG. 1;

FIG. 4 is a side view, taken from the right side of FIG. 1;

FIG. 5 is a top plan view thereof; and,

FIG. 6 is a bottom plan view thereof.

1 Claim, 6 Drawing Sheets



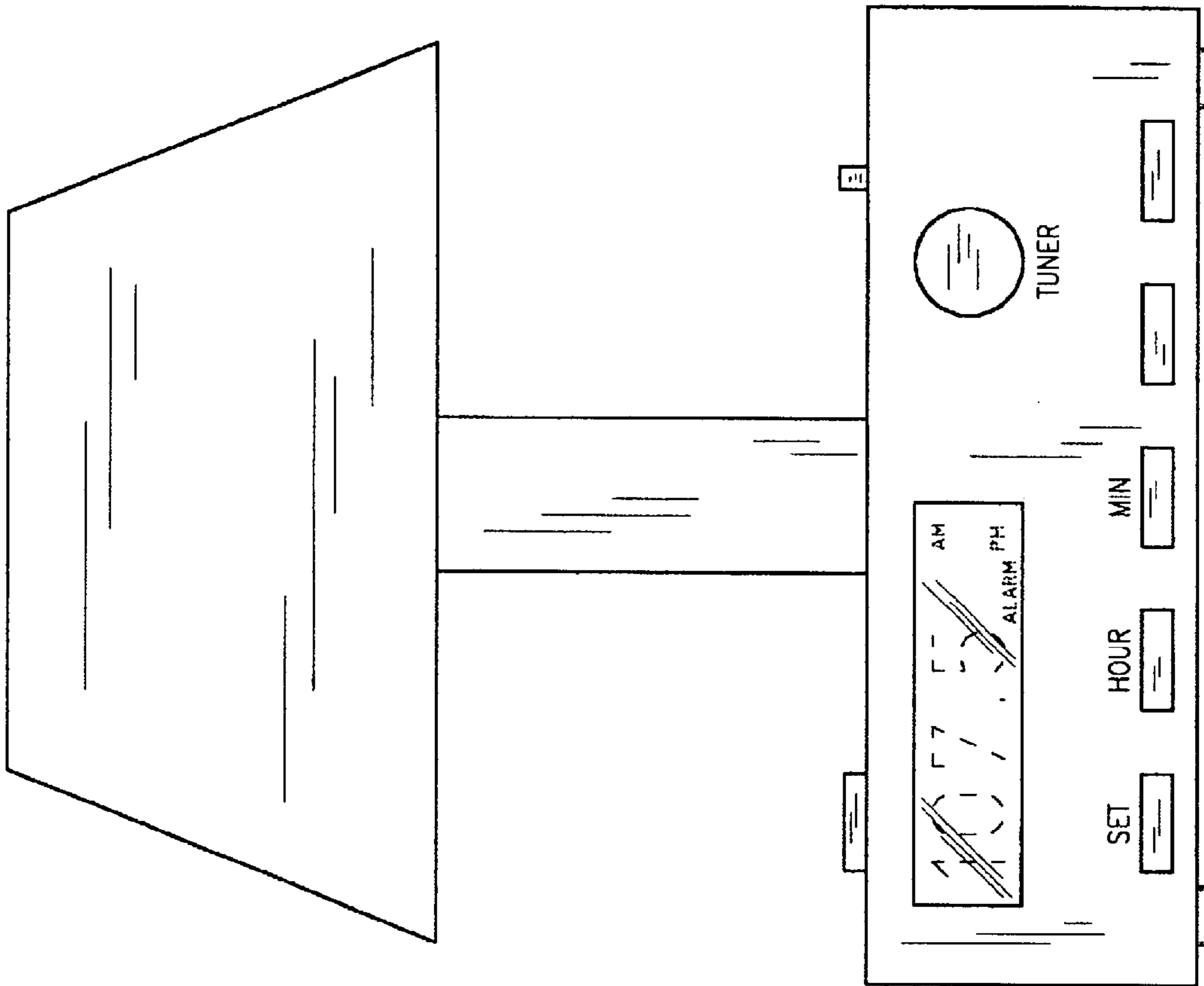


FIG. 1

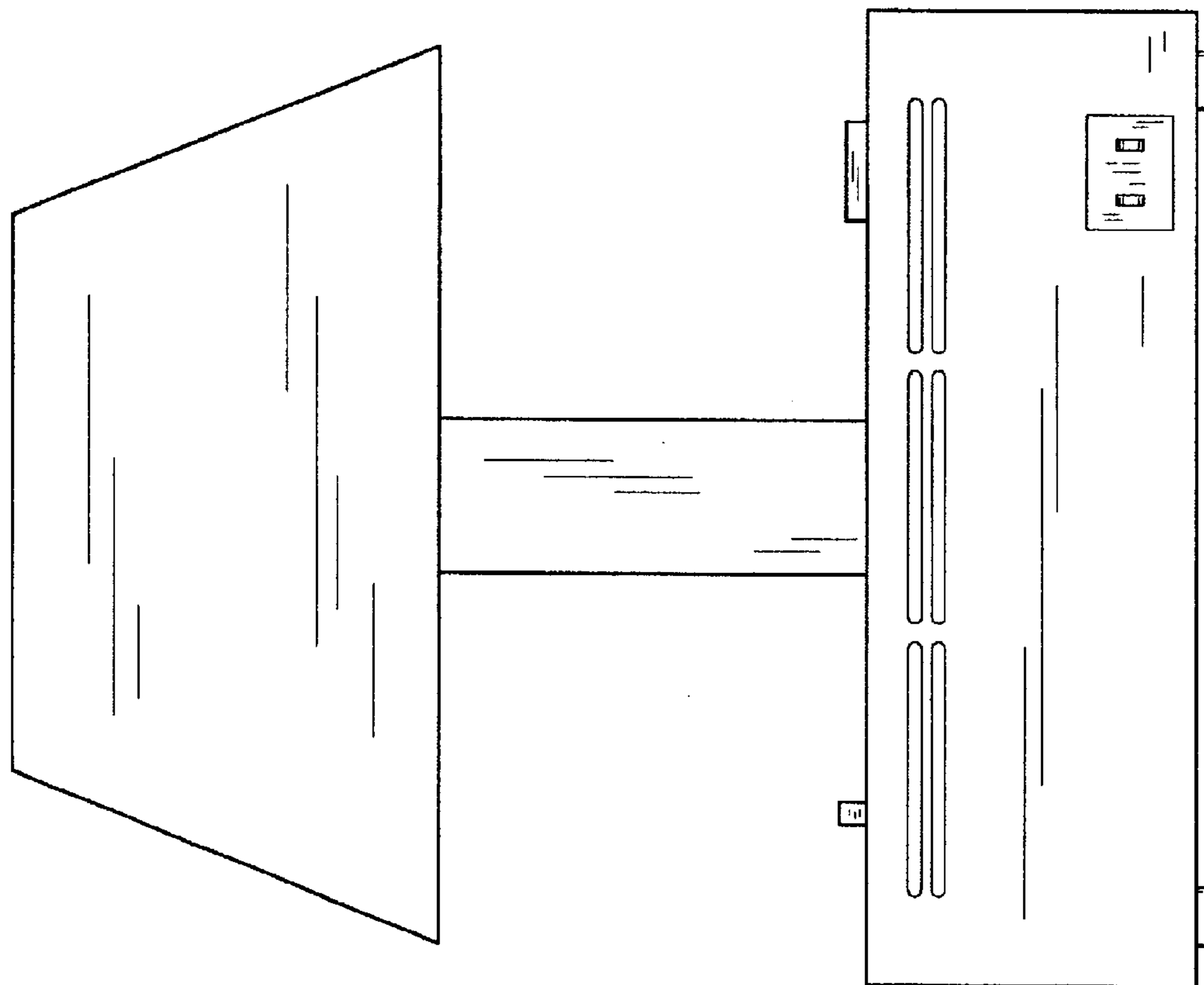


FIG. 2

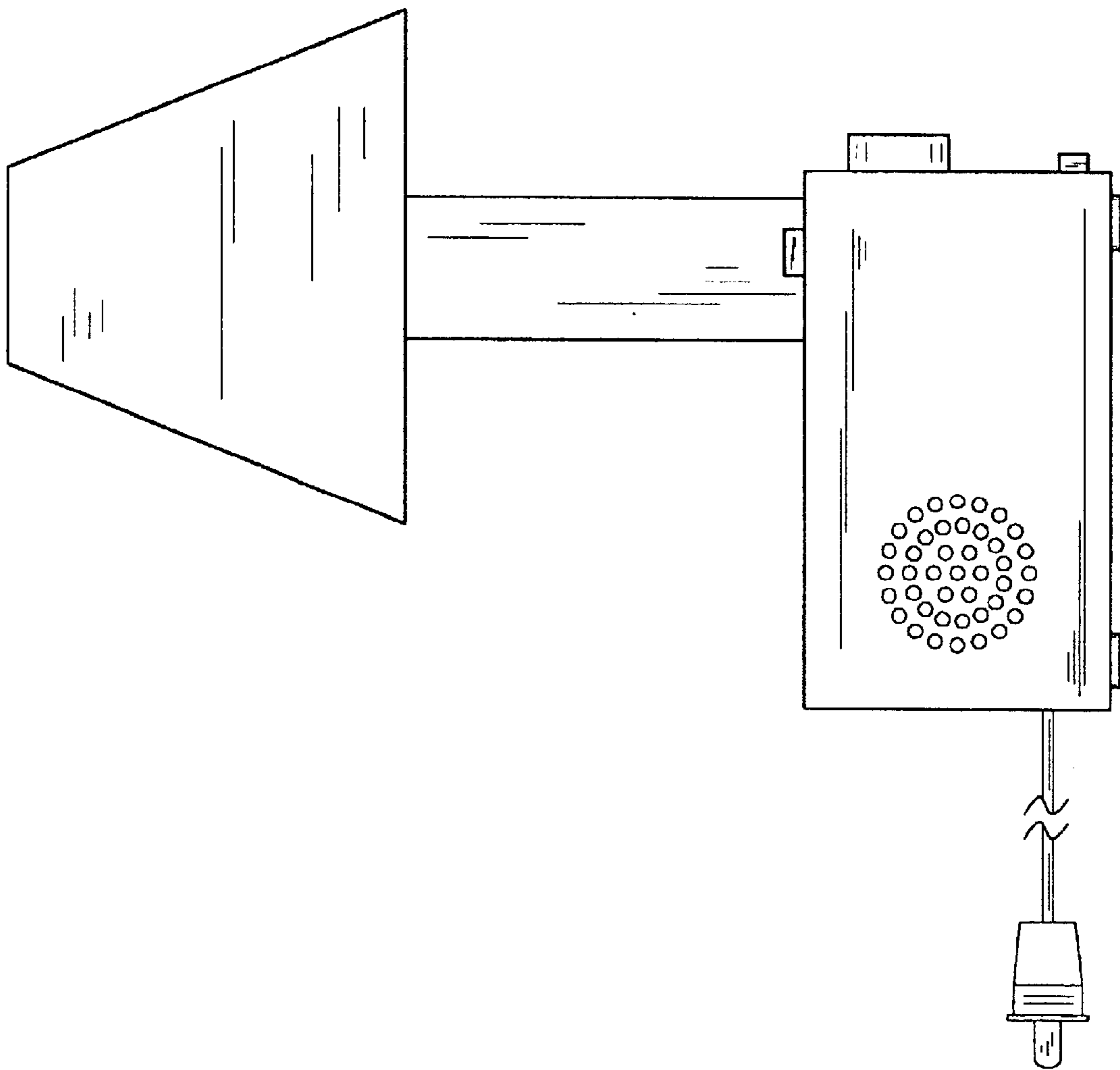


FIG. 3

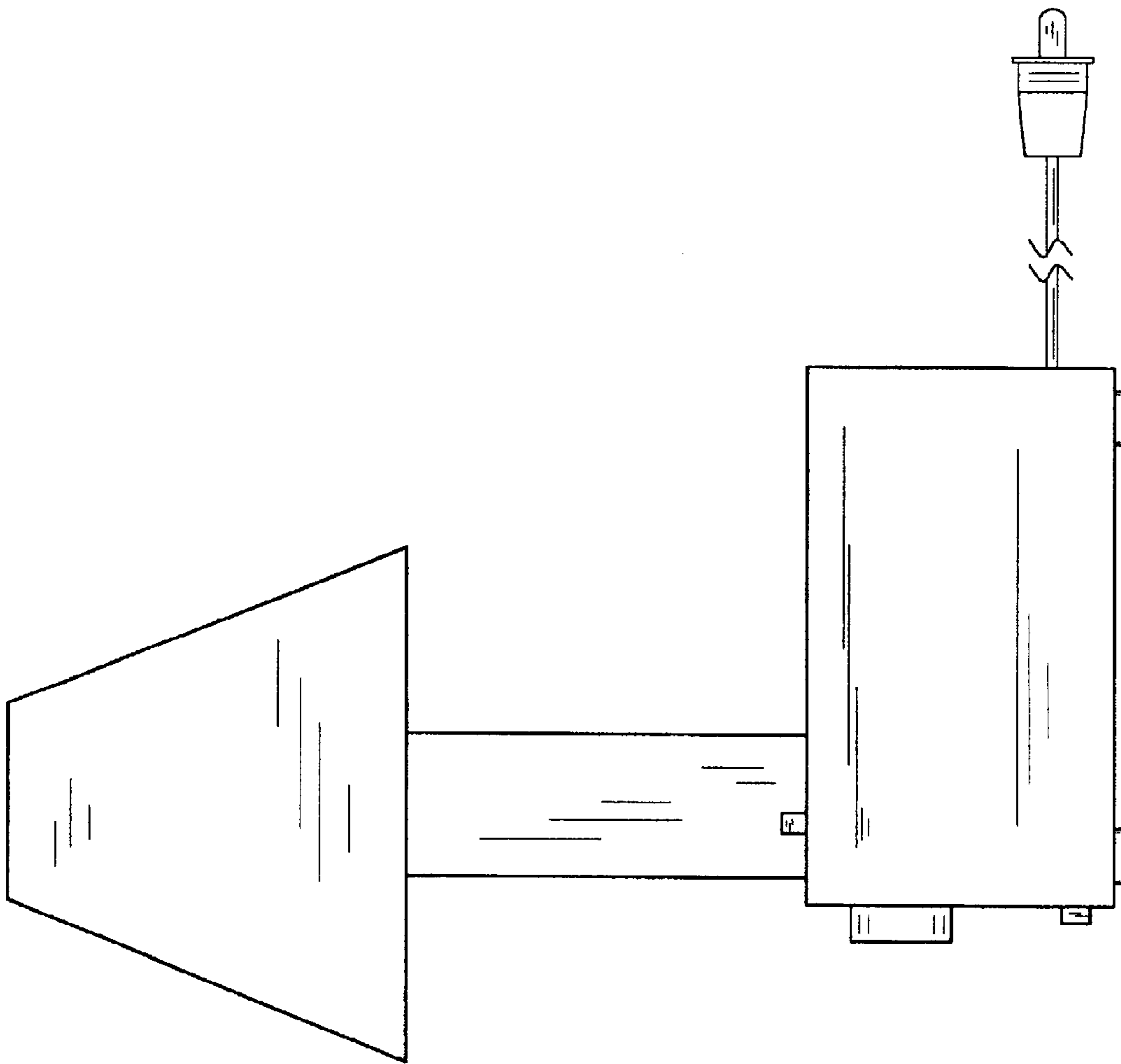


FIG. 4

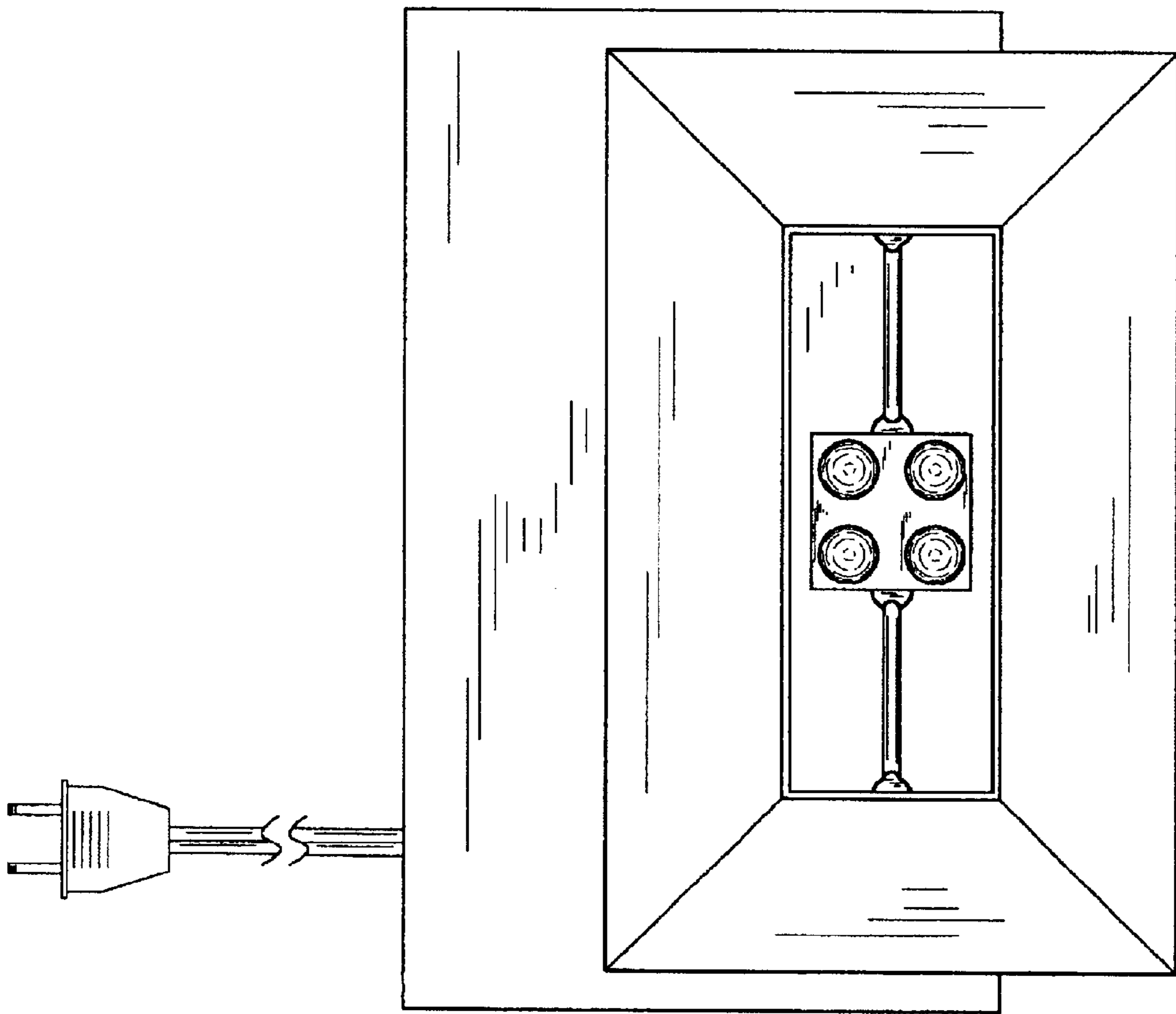


FIG. 5

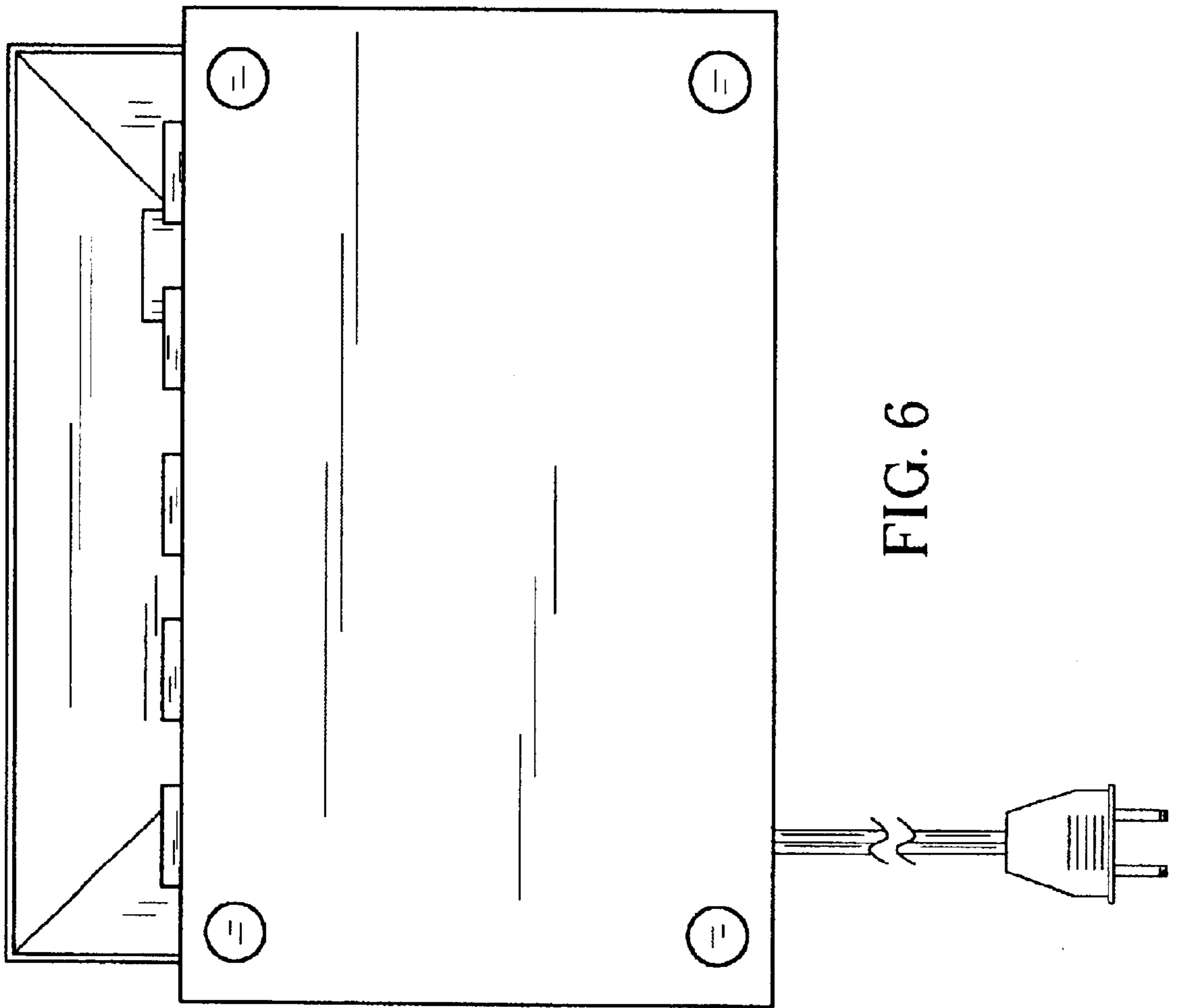


FIG. 6