



US00D488453S

(12) **United States Design Patent**
Chang et al.

(10) **Patent No.: US D488,453 S**

(45) **Date of Patent: ** Apr. 13, 2004**

(54) **MOBILE COMMUNICATION DEVICE**

(75) Inventors: **Jackson Chang**, Taipei (TW); **Chin-Fa Lee**, Taipei (TW); **Chi-Yu Ho**, Taipei (TW)

(73) Assignee: **Inventec Appliances Corporation** (TW)

(**) Term: **14 Years**

(21) Appl. No.: **29/182,757**

(22) Filed: **Jun. 2, 2003**

(51) **LOC (7) Cl. 14-03**

(52) **U.S. Cl. D14/138**

(58) **Field of Search** D14/137, 138, D14/218, 147-148, 247-248, 144, 341-347; 379/433.01-433.13, 419, 434, 428.01-428.04, 420.01-420.04, 440; 455/550.1-90.3; D21/517

(56) **References Cited**

U.S. PATENT DOCUMENTS

D370,673	S	*	6/1996	Happo et al.	D14/138
5,661,641	A	*	8/1997	Shindo	361/814
D383,731	S	*	9/1997	Mieki et al.	D14/100
D386,493	S	*	11/1997	Mahan	D14/138
D410,645	S	*	6/1999	Wood et al.	D14/138
6,038,313	A	*	3/2000	Collins	379/433.07
6,047,196	A	*	4/2000	Makela et al.	455/556.1
D430,566	S	*	9/2000	Chu et al.	D14/345
6,118,986	A	*	9/2000	Harris et al.	455/573.3
6,233,469	B1	*	5/2001	Watanabe	455/575
6,243,595	B1	*	6/2001	Lee et al.	455/566
D446,201	S	*	8/2001	Kim	D14/138
D447,128	S	*	8/2001	Lee et al.	D14/138
D449,605	S	*	10/2001	Schebesch et al.	D14/345
6,397,078	B1	*	5/2002	Kim	455/556
D459,326	S	*	6/2002	Nagai et al.	D14/138
D459,710	S	*	7/2002	Jeong	D14/138
D465,218	S	*	11/2002	Schebesch et al.	D14/343
D465,487	S	*	11/2002	Nagai et al.	D14/346
6,505,036	B2	*	1/2003	Zilberberg et al.	455/117
6,510,325	B1	*	1/2003	Mack, II et al.	455/550
6,539,208	B1	*	3/2003	Mori	455/90

6,549,789	B1	*	4/2003	Kfoury	455/550
D475,688	S	*	6/2003	Pierce et al.	D14/138
D476,303	S	*	6/2003	Lee et al.	D14/138
6,587,675	B1	*	7/2003	Riddiford	455/90

(List continued on next page.)

FOREIGN PATENT DOCUMENTS

FR	2601211	*	1/1988
JP	406164440 A	*	6/1994
WO	DM/058624	*	12/2001

Primary Examiner—Jeffrey Asch

(74) *Attorney, Agent, or Firm*—Birch, Stewart, Kolasch & Birch, LLP

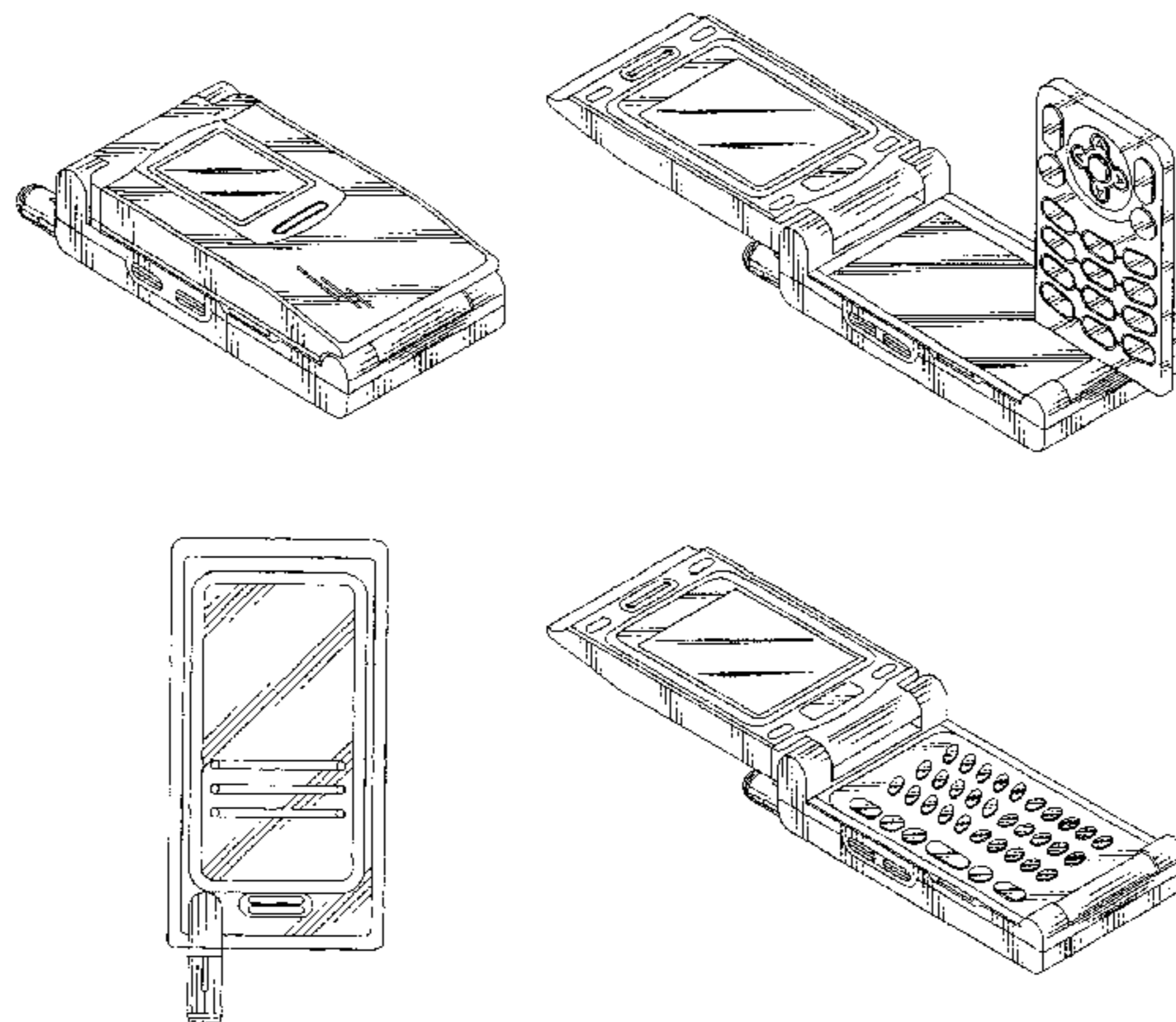
(57) **CLAIM**

The ornamental design for a mobile communication device, as shown and described.

DESCRIPTION

FIG. 1 is a perspective view thereof;
 FIG. 2 is a bottom plan view thereof;
 FIG. 3 is a top plan view thereof;
 FIG. 4 is a left side view thereof;
 FIG. 5 is a right side view thereof;
 FIG. 6 is a front side view thereof;
 FIG. 7 is a rear side view thereof;
 FIG. 8 is a perspective view inside the device thereof;
 FIG. 9 is a perspective view showing a used state of the mobile communication device by rotating its button plate about an axis to turn into a standing mode;
 FIG. 10 is a perspective view showing a used state of the mobile communication device by rotating its button plate about another axis to turn into another standing mode from the mode shown in FIG. 9;
 FIG. 11 is a perspective view showing a used state of the mobile communication device by rotating its button plate to still another standing mode from the mode shown in FIG. 10; and,
 FIG. 12 is a perspective view showing a used state of the mobile communication device by rotating its button plate to an operable mode from the mode shown in FIG. 11.

1 Claim, 12 Drawing Sheets



US D488,453 S

Page 2

U.S. PATENT DOCUMENTS

6,628,961	B1	*	9/2003	Ho et al.	455/554
2001/0003707	A1	*	6/2001	Moriya	455/566
2001/0011029	A1	*	8/2001	Iwabuchi et al.	455/566
2001/0036265	A1	*	11/2001	Oh	379/433.01
2002/0072335	A1	*	6/2002	Watanabe	455/575.1
2002/0072395	A1	*	6/2002	Miramontes	455/566
2002/0114448	A1	*	8/2002	Kim et al.	379/433.13
2002/0118824	A1	*	8/2002	Yun	379/428.01
2002/0169010	A1	*	11/2002	Shoji et al.	455/575.1
2002/0173281	A1	*	11/2002	Kobayashi	455/575.1
2002/0173340	A1	*	11/2002	Watanabe	455/556.1
2002/0180707	A1	*	12/2002	Sato	345/169
2003/0064758	A1	*	4/2003	Mizuta et al.	455/566
2003/0092401	A1	*	5/2003	Ikeuchi	455/90.1
2003/0096582	A1	*	5/2003	Kim	455/90.1
2003/0119543	A1	*	6/2003	Kfoury et al.	455/550.1
2003/0125079	A1	*	7/2003	Park et al.	455/556.1
2003/0153282	A1	*	8/2003	Sun et al.	455/90.1
2003/0153349	A1	*	8/2003	Sun et al.	455/550.1
2003/0157957	A1	*	8/2003	Wdroff	455/550.1

* cited by examiner

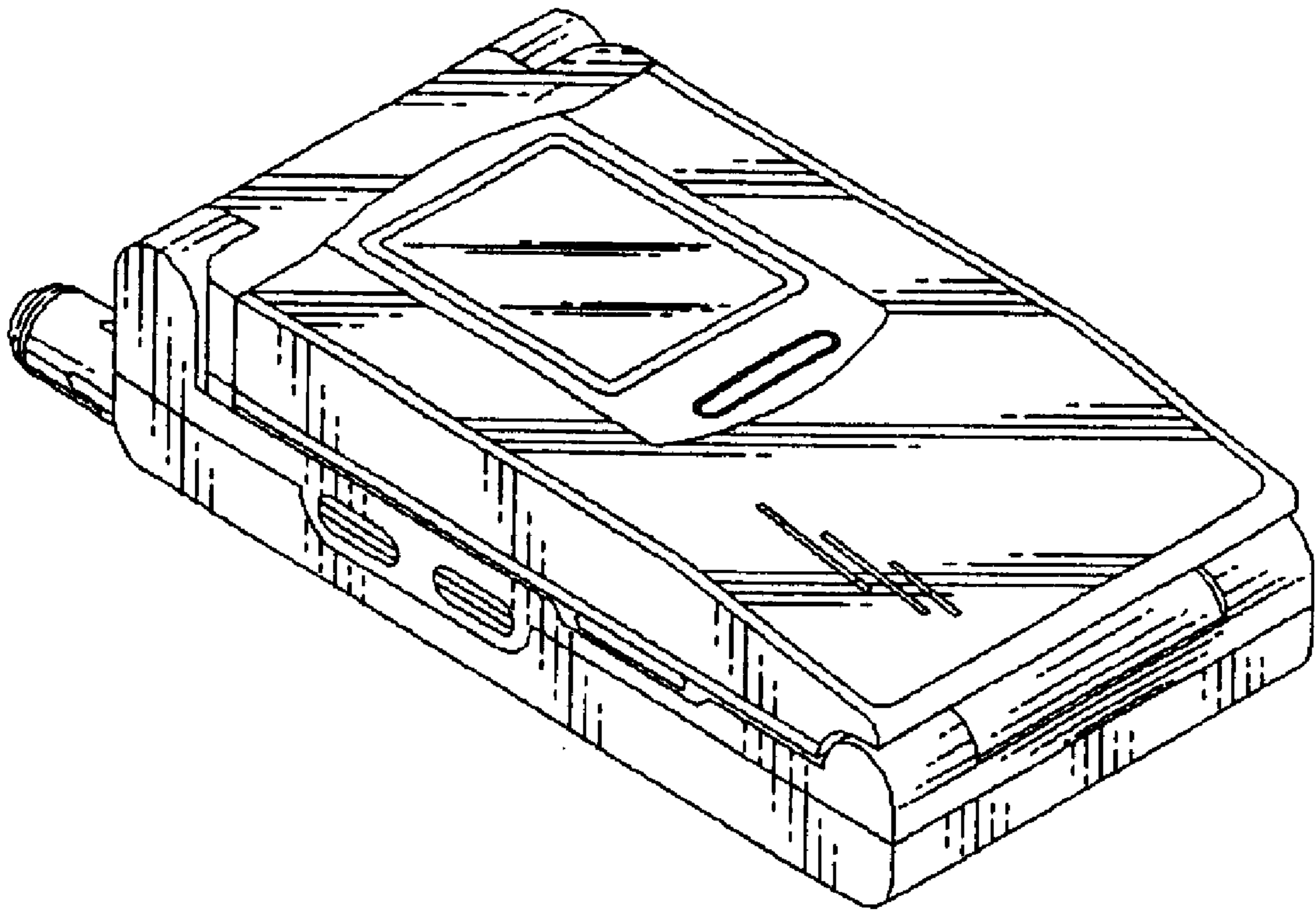


FIG. 1

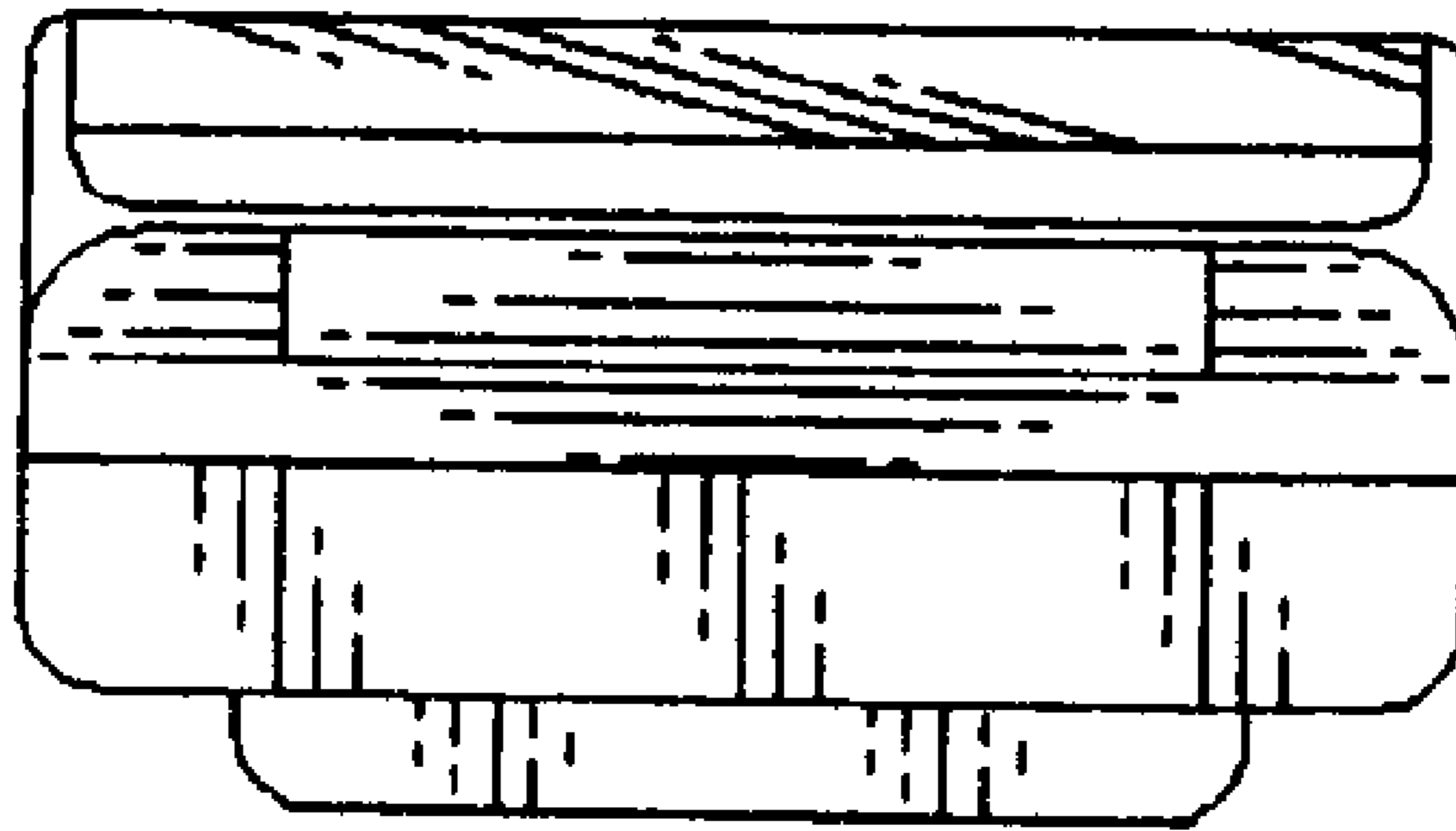


FIG. 2

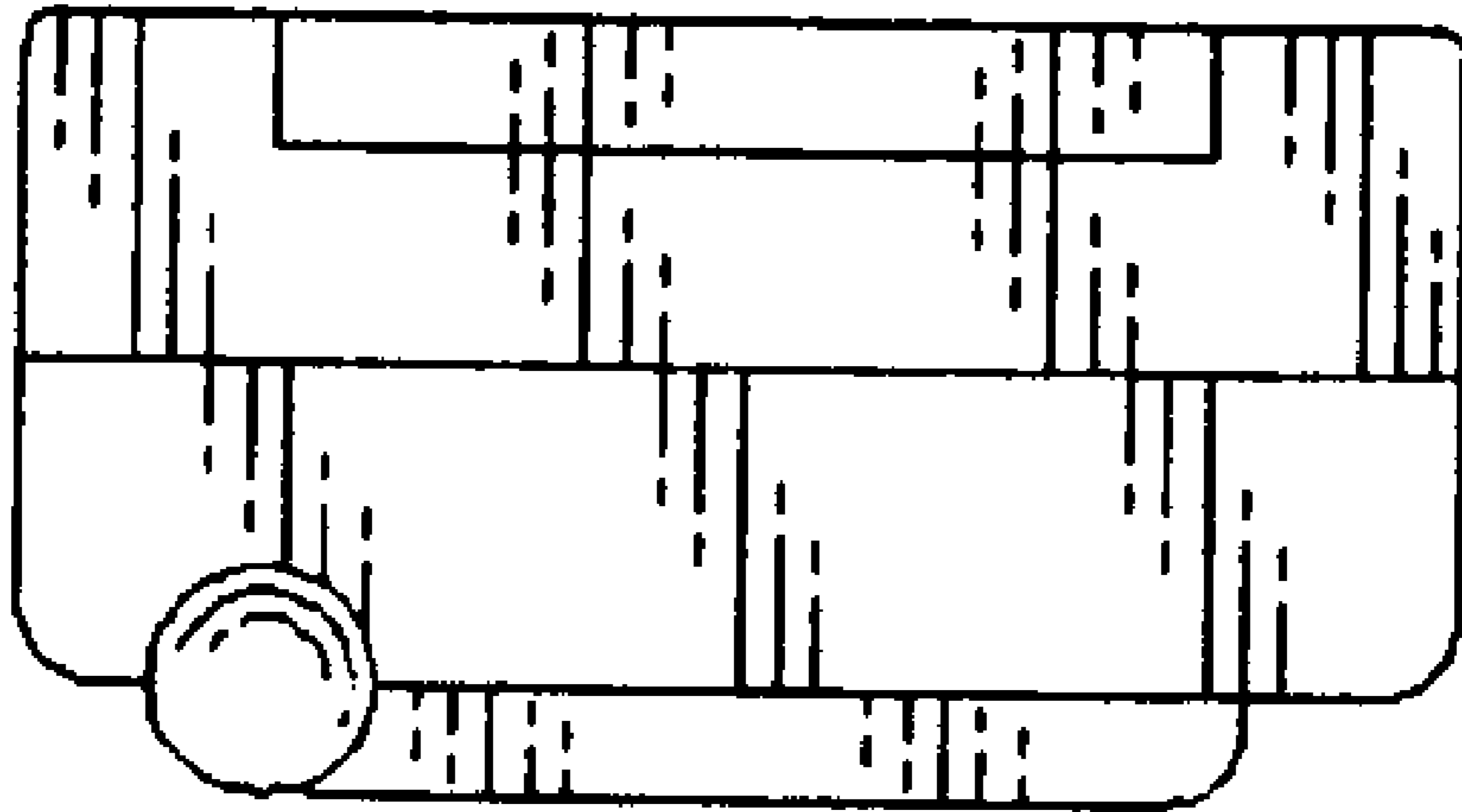


FIG. 3

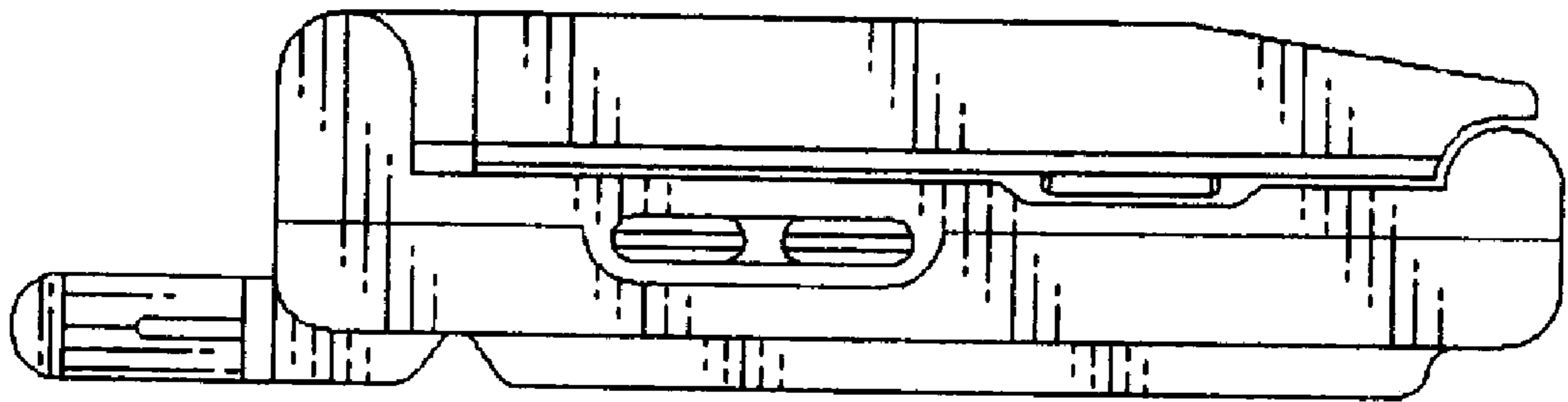


FIG. 4

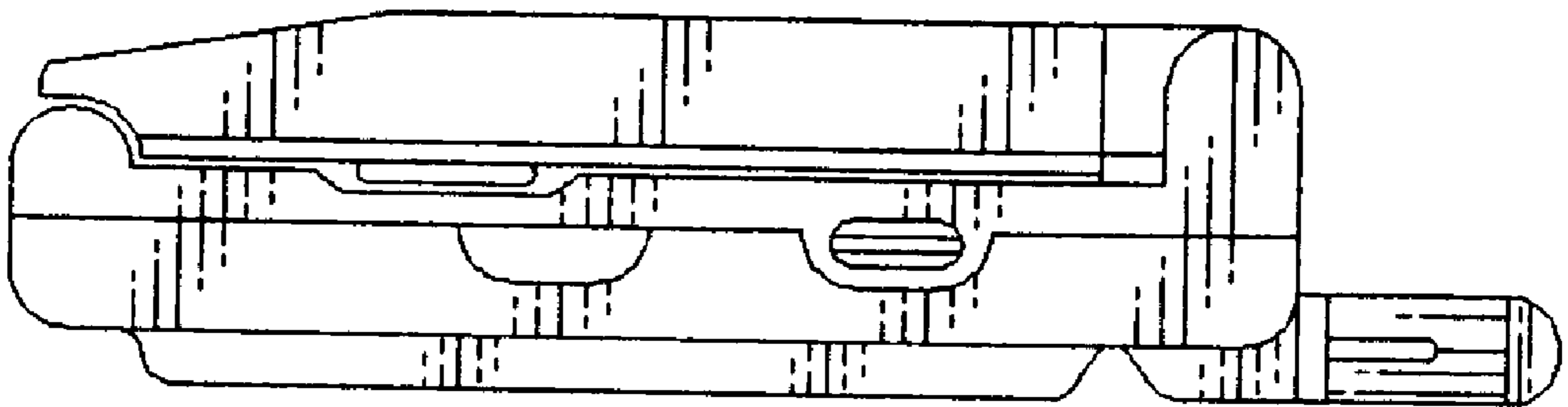


FIG. 5

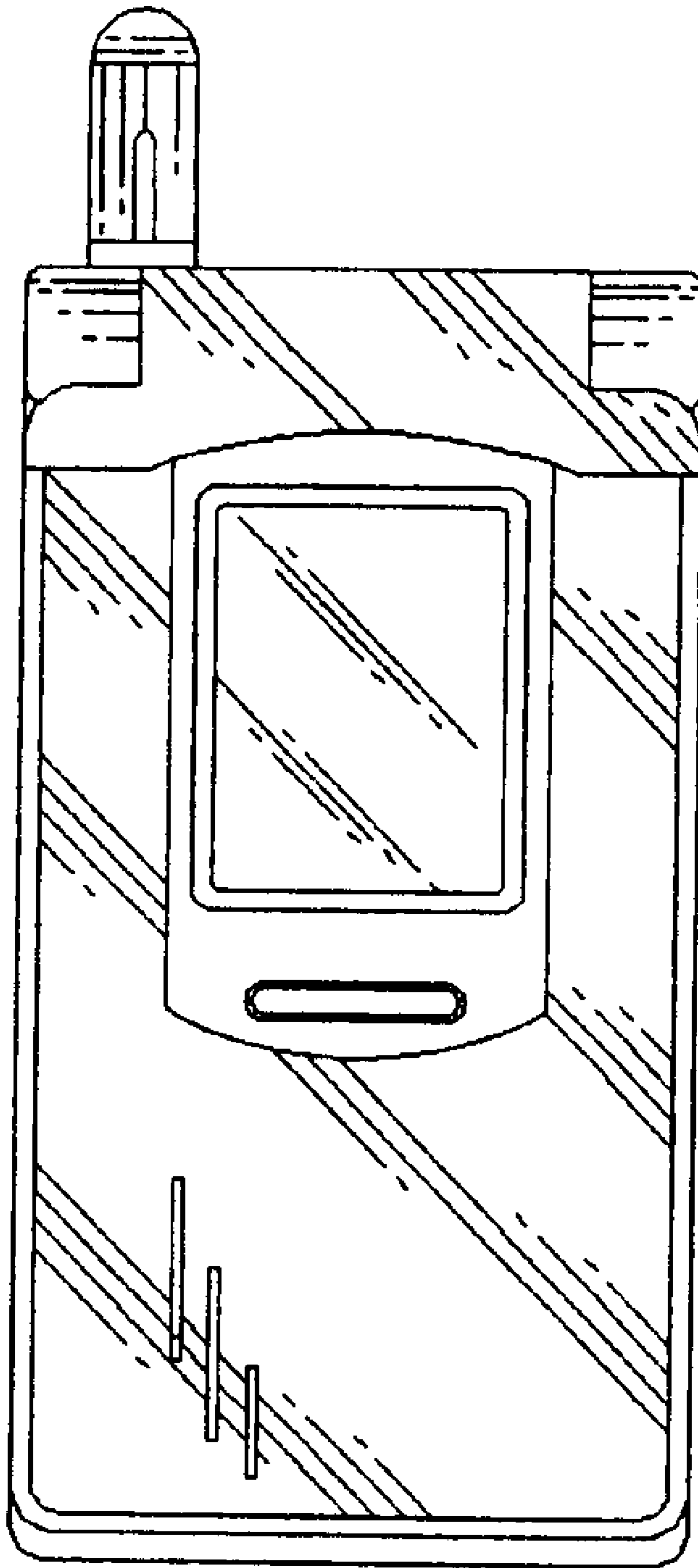


FIG. 6

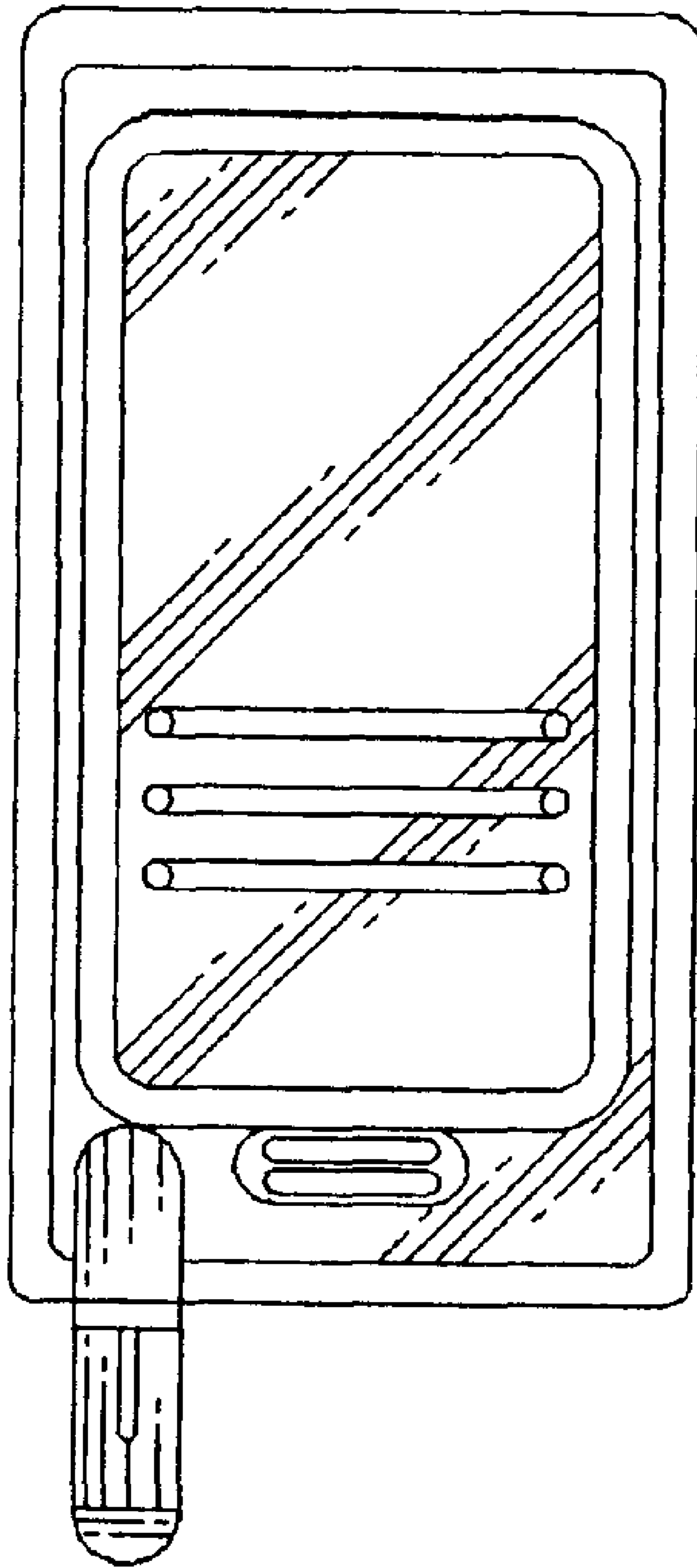


FIG. 7

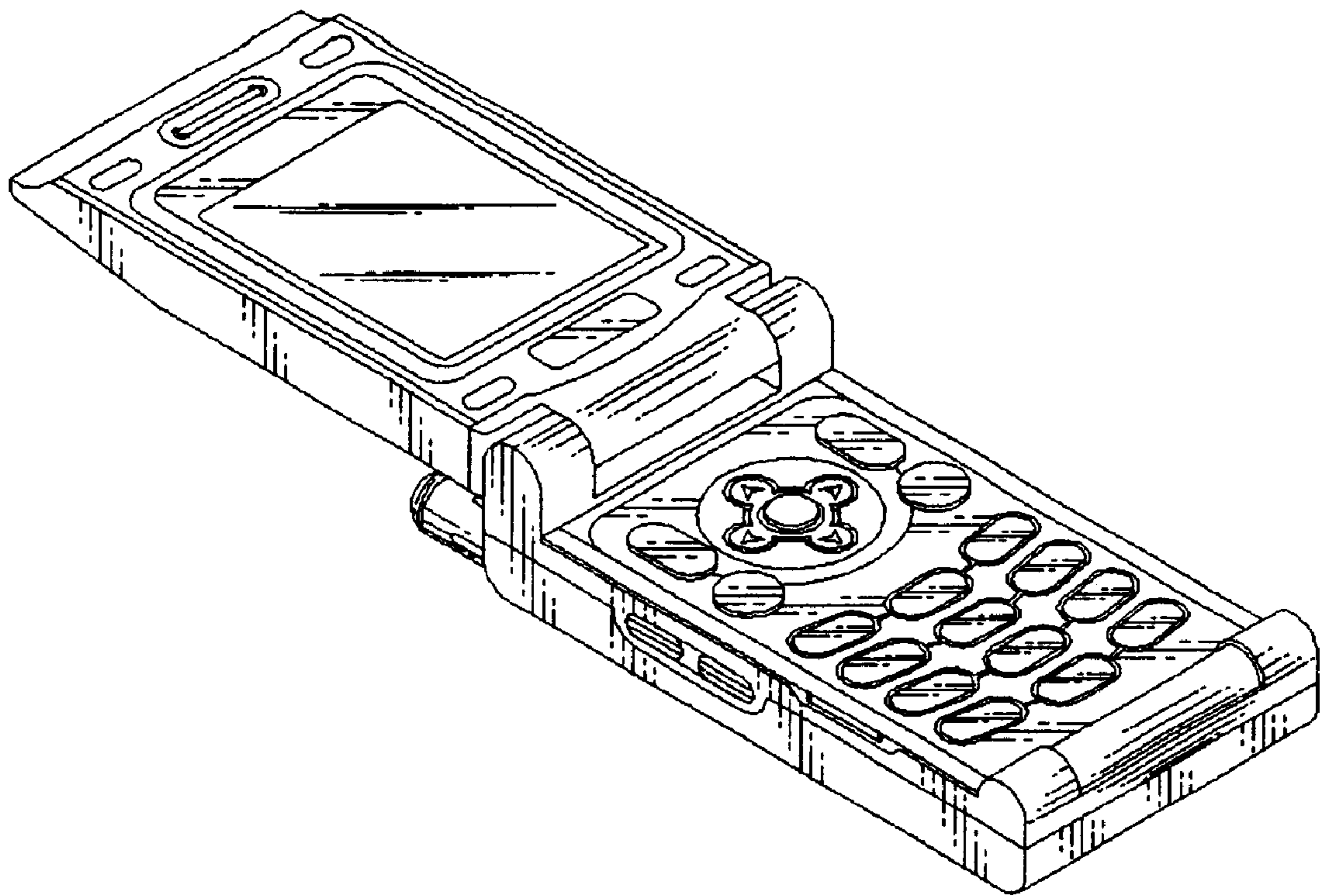


FIG. 8

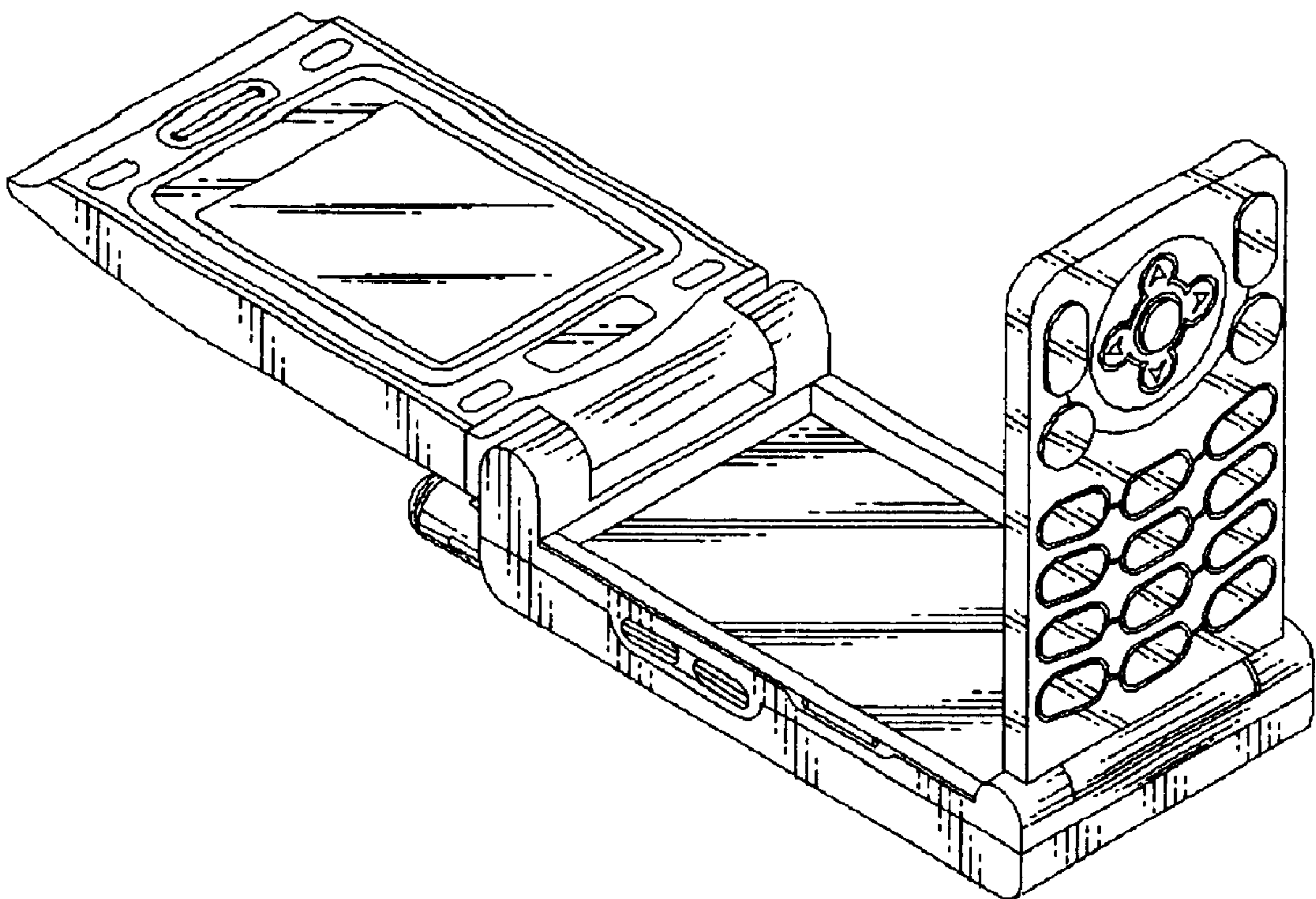


FIG. 9

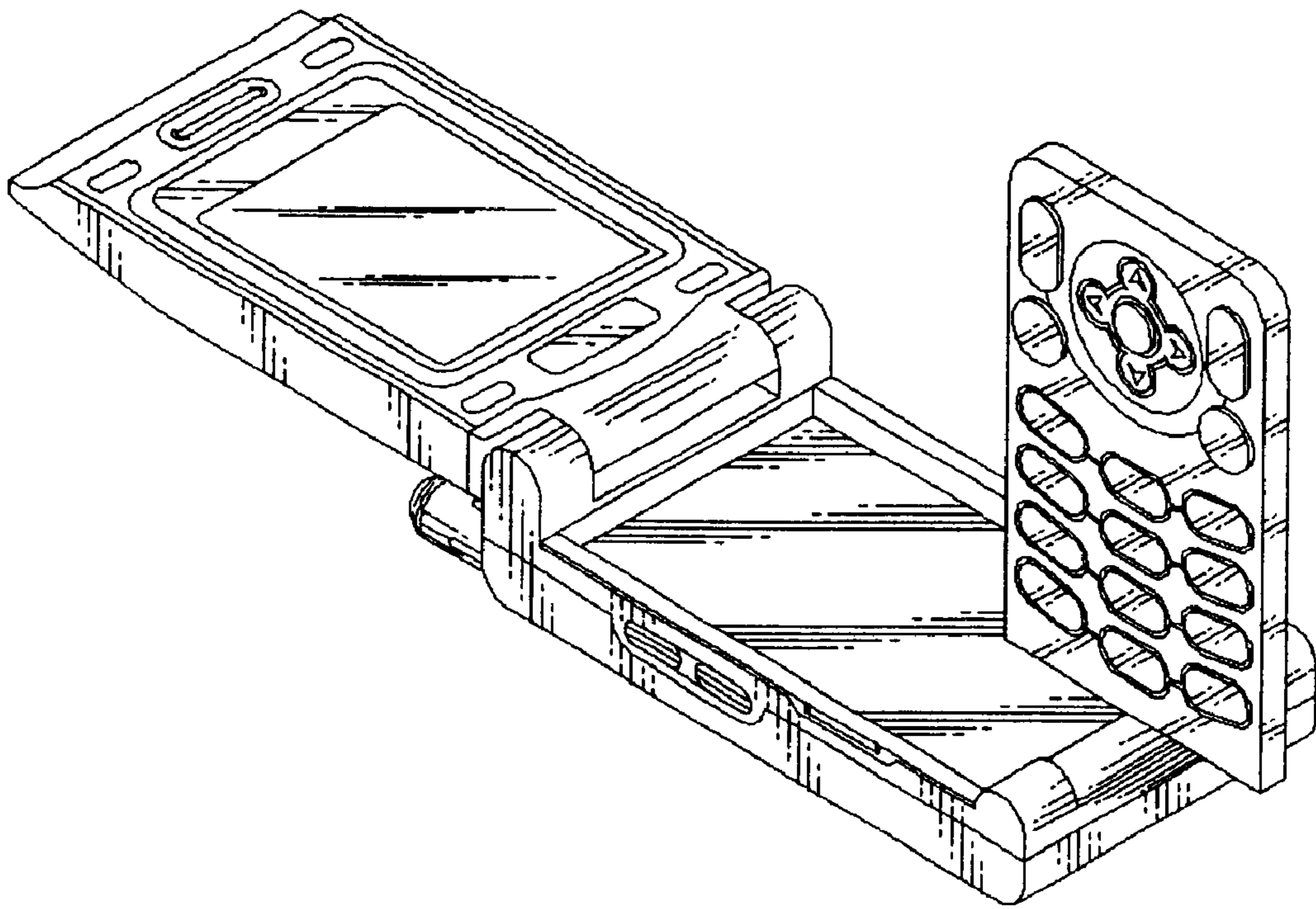


FIG. 10

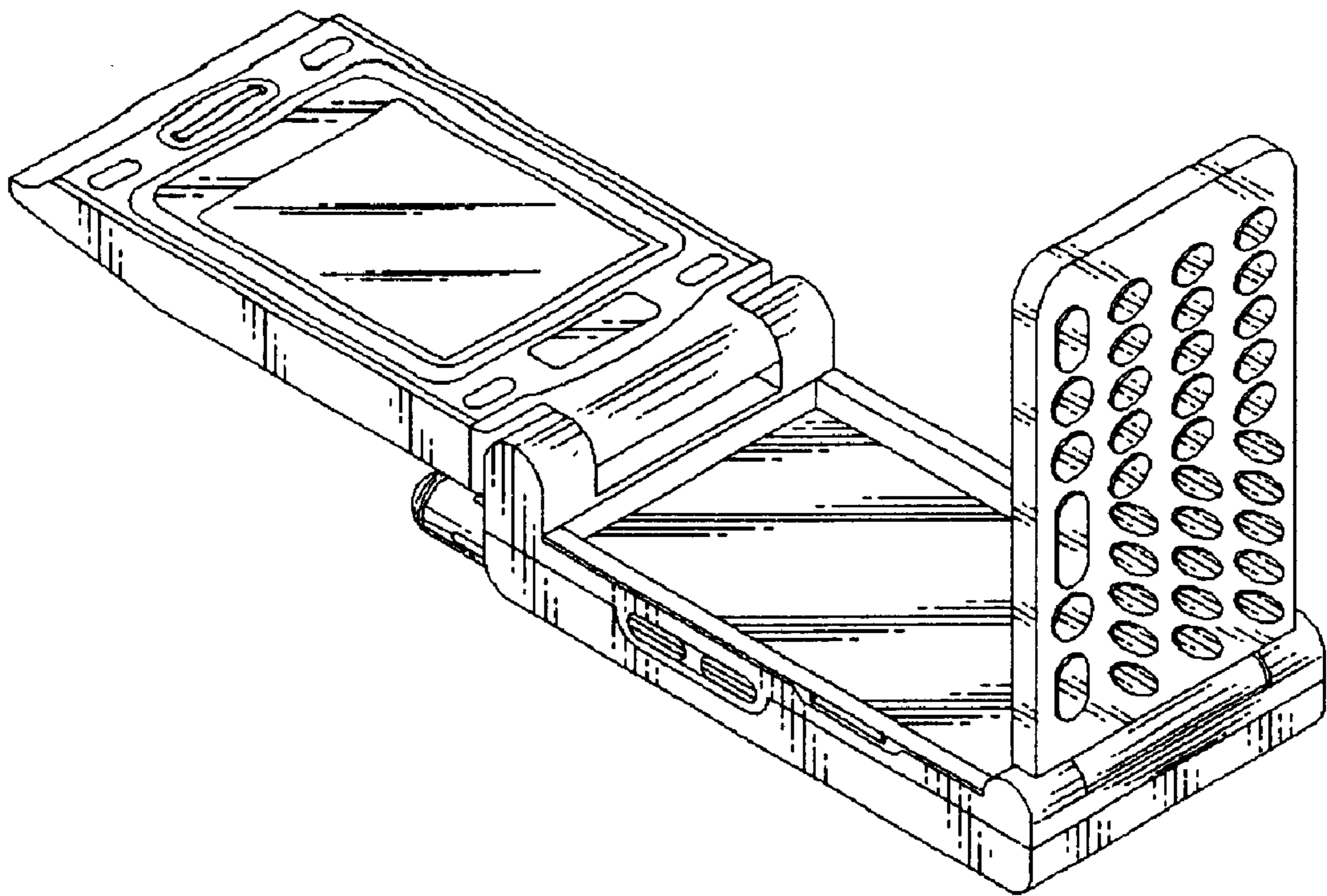


FIG. 11

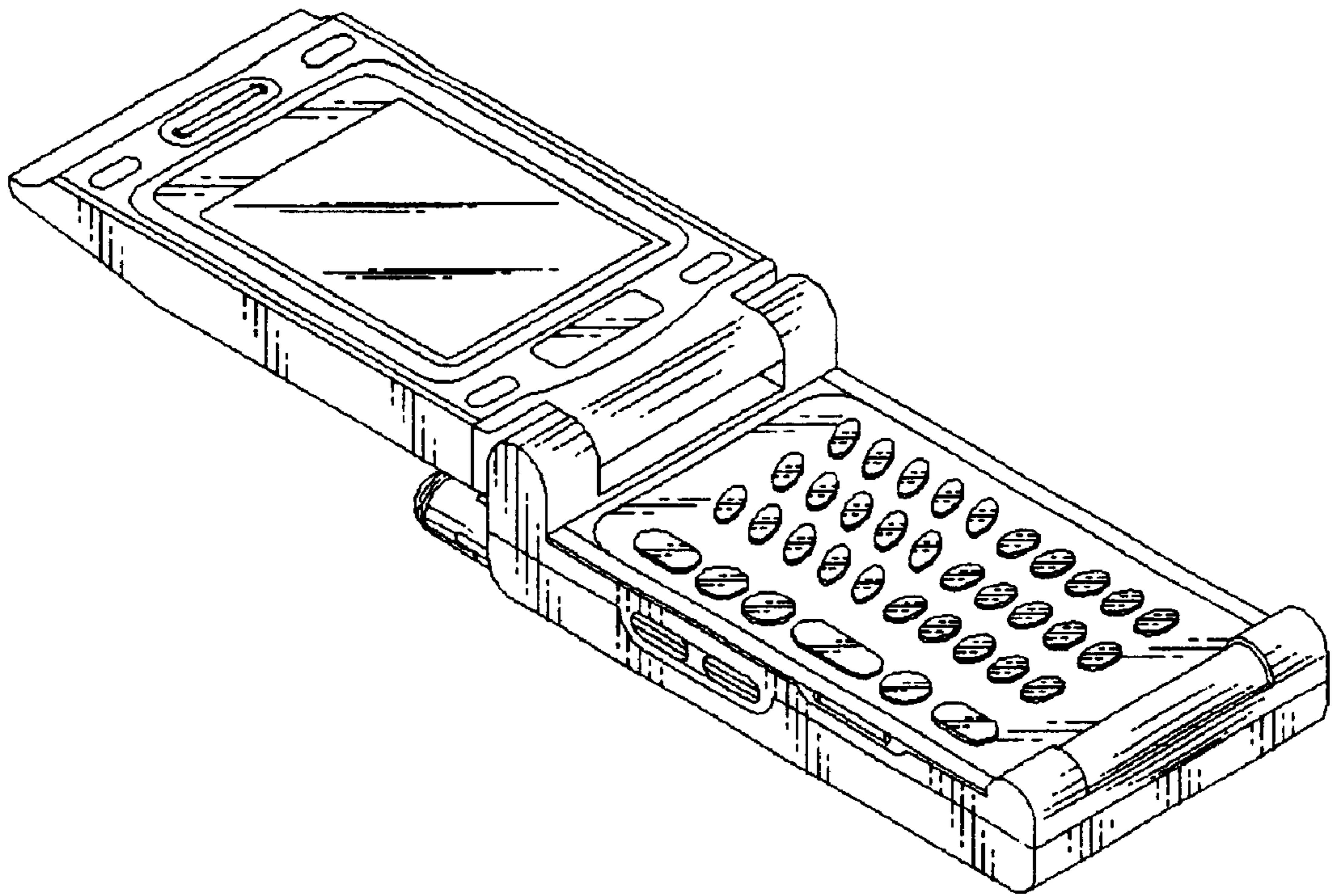


FIG. 12