



US00D488451S

(12) **United States Design Patent**  
**Niitsu**

(10) **Patent No.:** **US D488,451 S**

(45) **Date of Patent:** **\*\* Apr. 13, 2004**

(54) **TELEVISION RECEIVER**

(75) Inventor: **Takuya Niitsu**, Tokyo (JP)

(73) Assignee: **Sony Corporation**, Tokyo (JP)

(\*\*) Term: **14 Years**

(21) Appl. No.: **29/183,173**

(22) Filed: **Jun. 9, 2003**

(51) **LOC (7) Cl.** ..... **14-03**

(52) **U.S. Cl.** ..... **D14/126**

(58) **Field of Search** ..... D14/125-136,  
D14/239, 371, 374-376; 312/7.2; 348/836,  
838, 180, 184, 325, 739; 341/12; 248/917-924;  
345/104, 133, 156, 168, 87, 173

(56) **References Cited**

**U.S. PATENT DOCUMENTS**

D417,659 S	*	12/1999	Takemasa	.....	D14/374
D453,022 S		1/2002	Oba		
D454,845 S	*	3/2002	Niitsu	.....	D14/126
D458,236 S	*	6/2002	Bong et al.	.....	D14/126
D458,238 S	*	6/2002	Niitsu	.....	D14/126
D472,532 S		4/2003	Niitsu		
D475,356 S		6/2003	Niitsu		

**OTHER PUBLICATIONS**

Catalog "VEGA" 4 sheets, Sony (Nov. 2002).

Web page "PDP-42HD2" <http://www.yodobashi.com/enjoy/i.jsp?oid=4248177>, 1 sheet, Yodobashi Camera (Feb. 2003).

Web page "TH-42PX10" <http://www.yodobashi.com/enjoy/i.jsp?oid=3521207>, 1 sheet, Yodobashi Camera (Feb. 2003).

Web page "PDP-433HD-S" <http://www.yodobashi.com/enjoy/i.jsp?oid=1575436>, 1 sheet, Yodobashi Camera (Feb. 2003).

Web page "PZ-50BD3" <http://www.yodobashi.com/enjoy/i.jsp?oid=1880883>, 1 sheet, Yodobashi Camera (Feb. 2003).

Web page "KDE-P50HX1" <http://www.yodobashi.com/enjoy/i.jsp?oid=4679312>, 1 sheet, Yodobashi Camera (Feb. 2003).

\* cited by examiner

*Primary Examiner*—Raphael Barkai

(74) *Attorney, Agent, or Firm*—Rader, Fishman & Grauer PLLC

(57) **CLAIM**

The ornamental design for a television receiver, as shown.

**DESCRIPTION**

FIG. 1 is a perspective view of a television receiver showing my new design;

FIG. 2 is a front elevational view thereof;

FIG. 3 is a rear elevational view thereof;

FIG. 4 is a left side elevational view thereof;

FIG. 5 is a right side elevational view thereof;

FIG. 6 is a top plan view thereof; and,

FIG. 7 is a bottom plan view thereof.

**1 Claim, 4 Drawing Sheets**

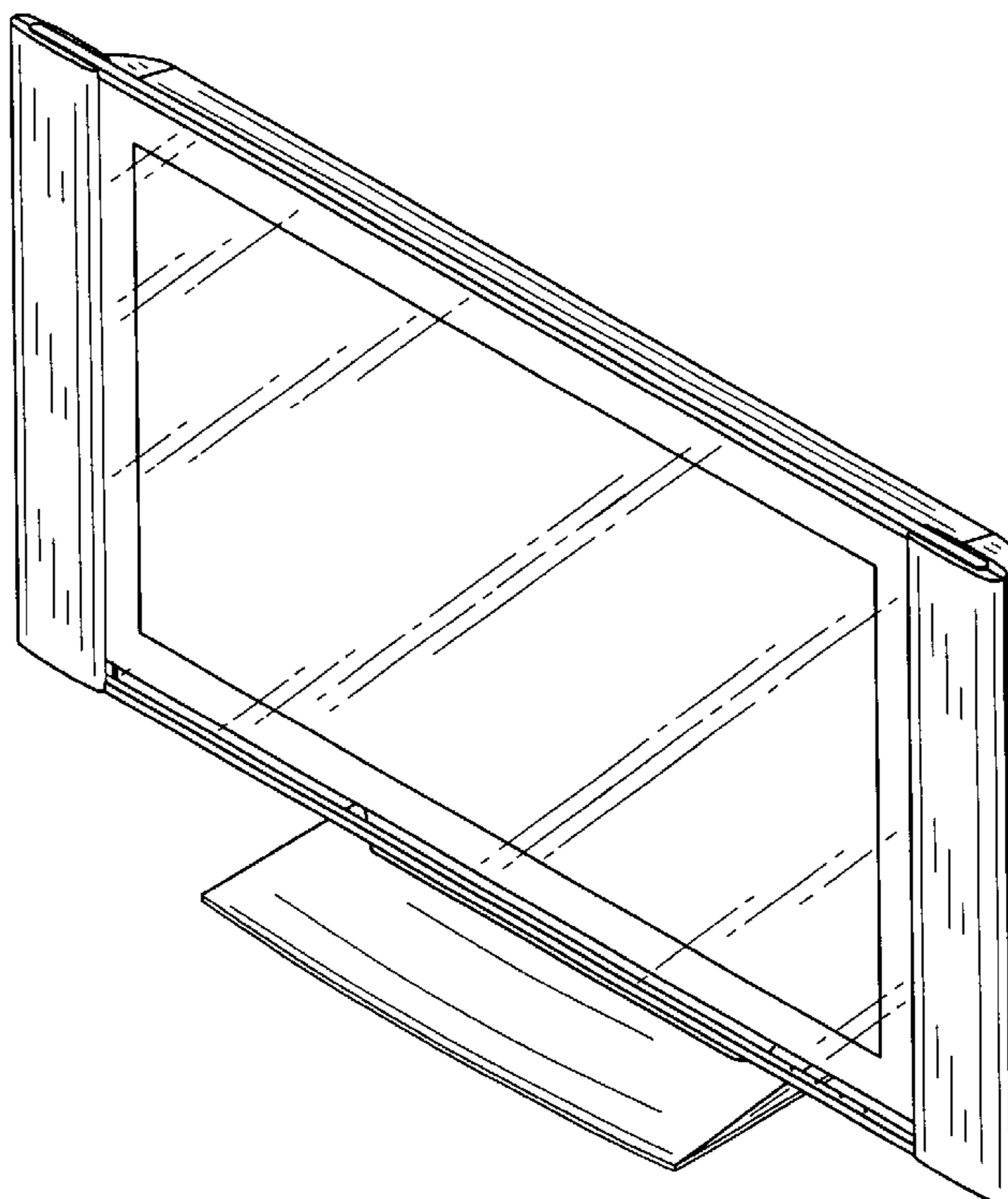


FIG. 1

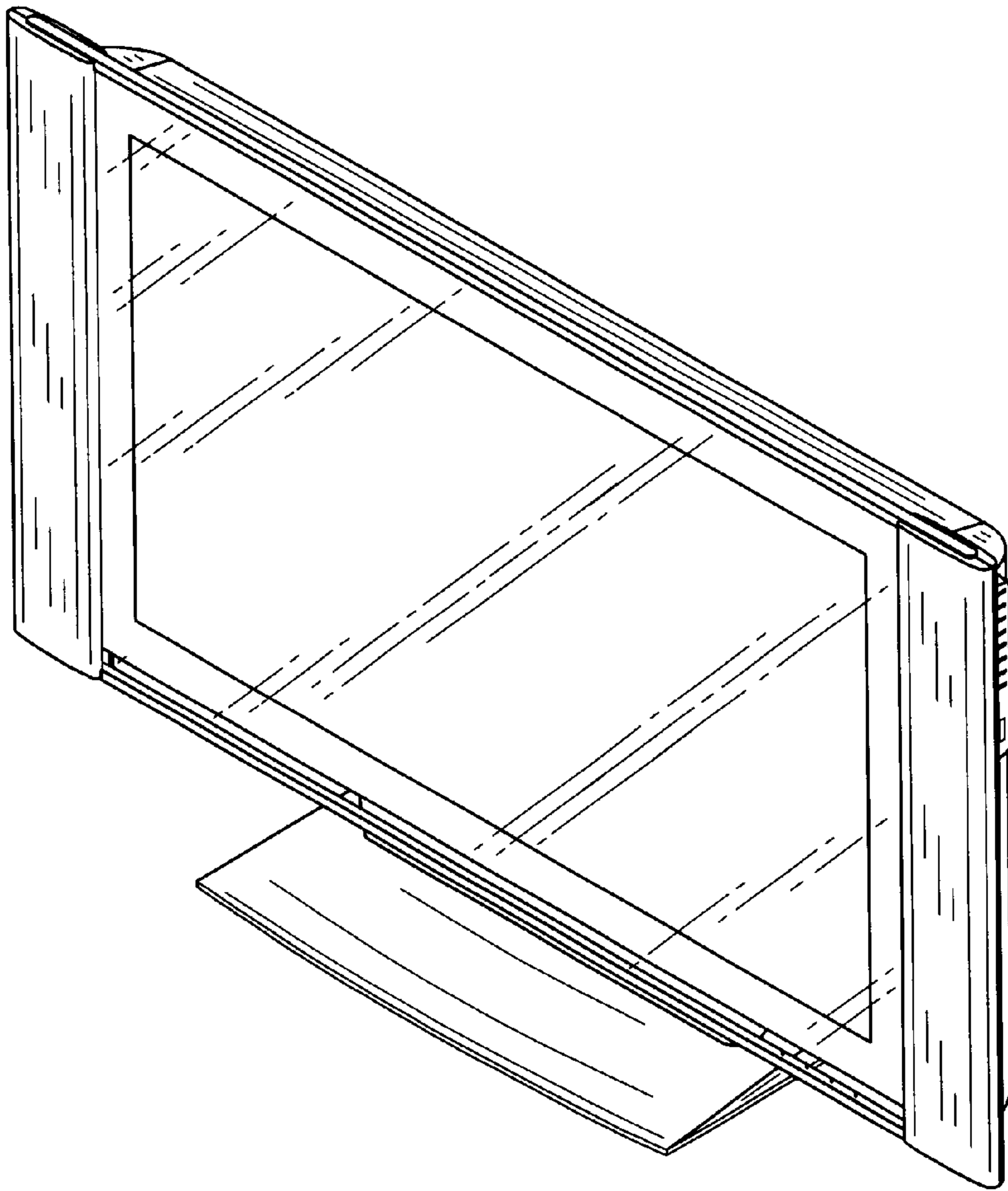


FIG. 2

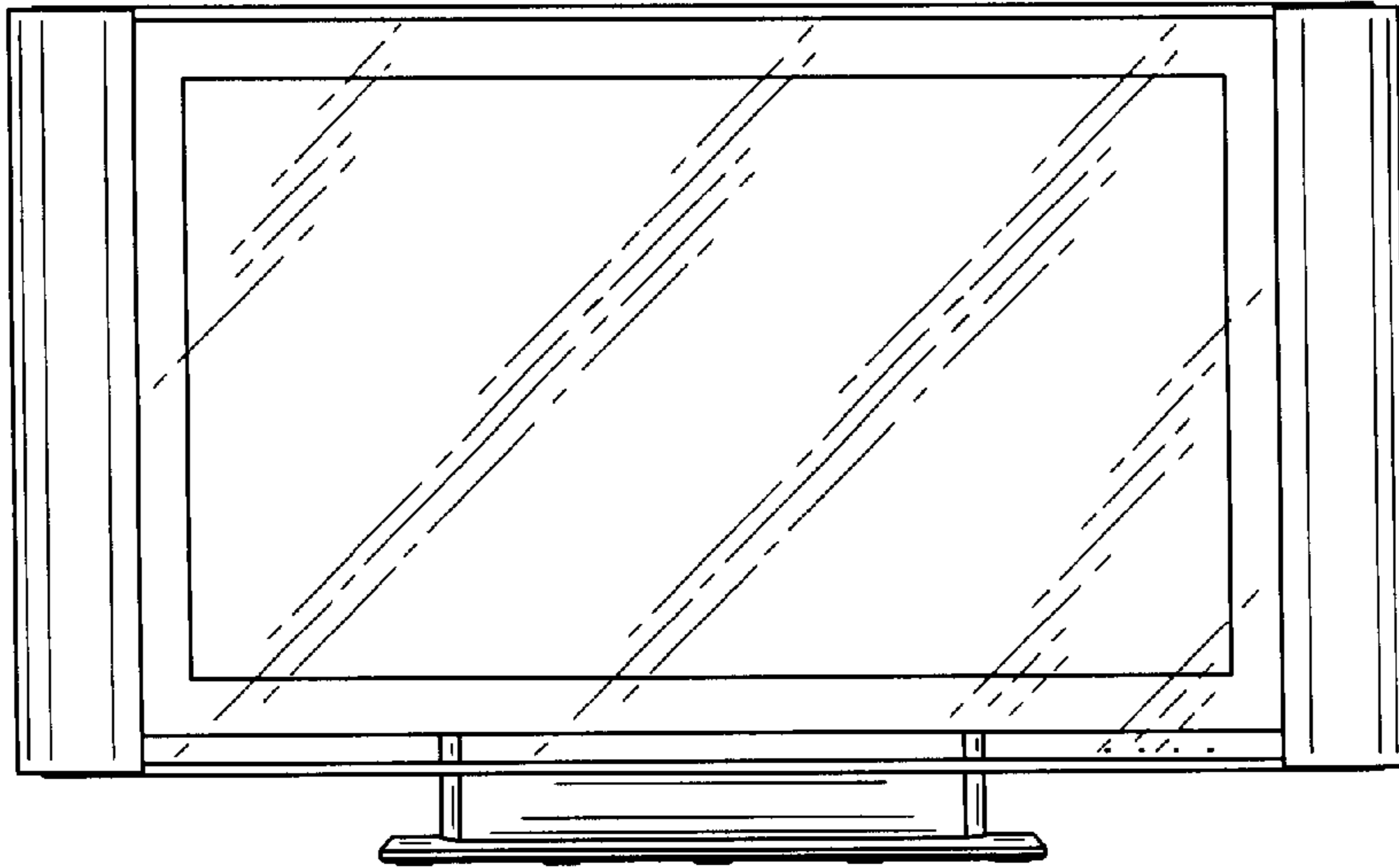


FIG. 3

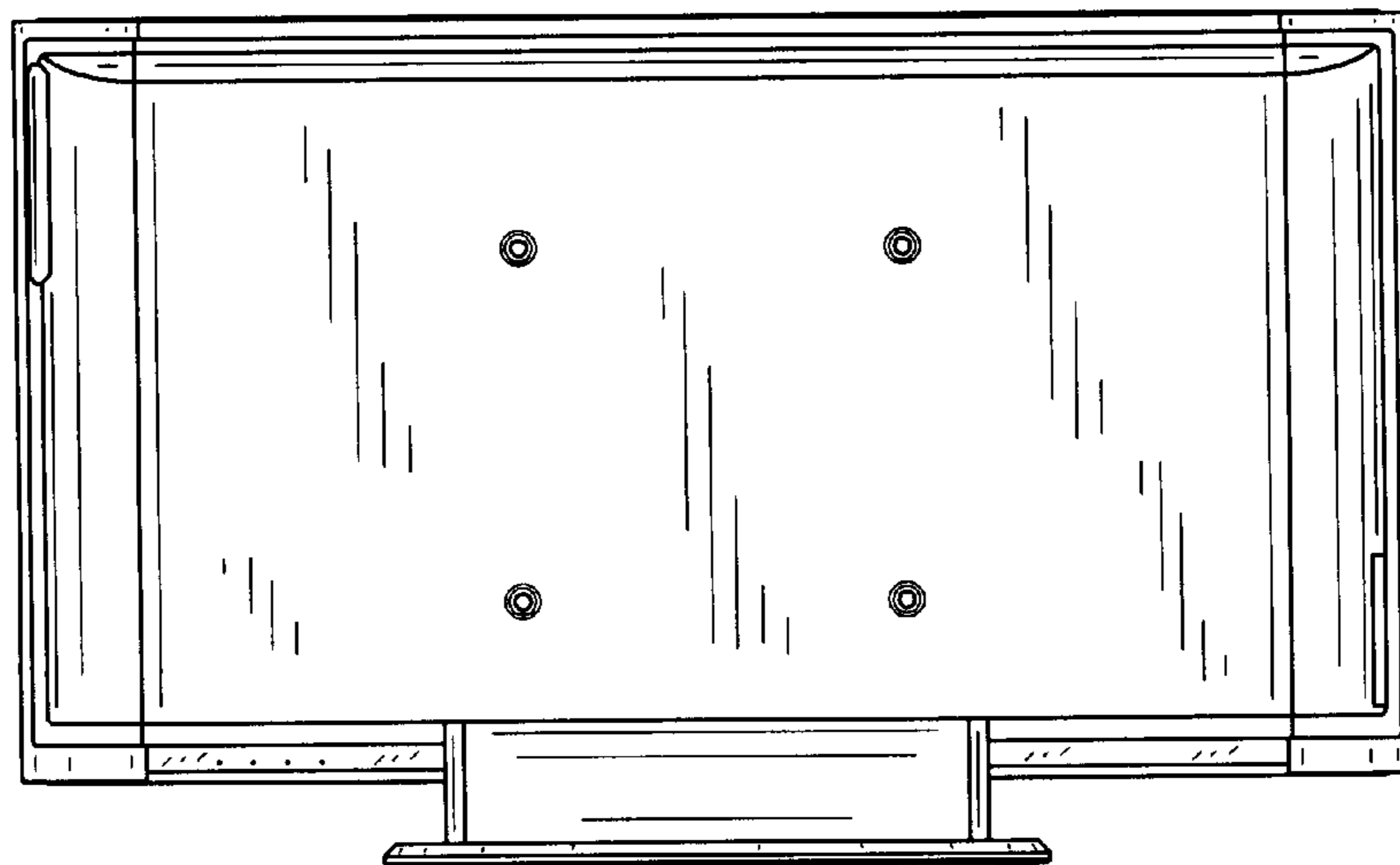


FIG. 4

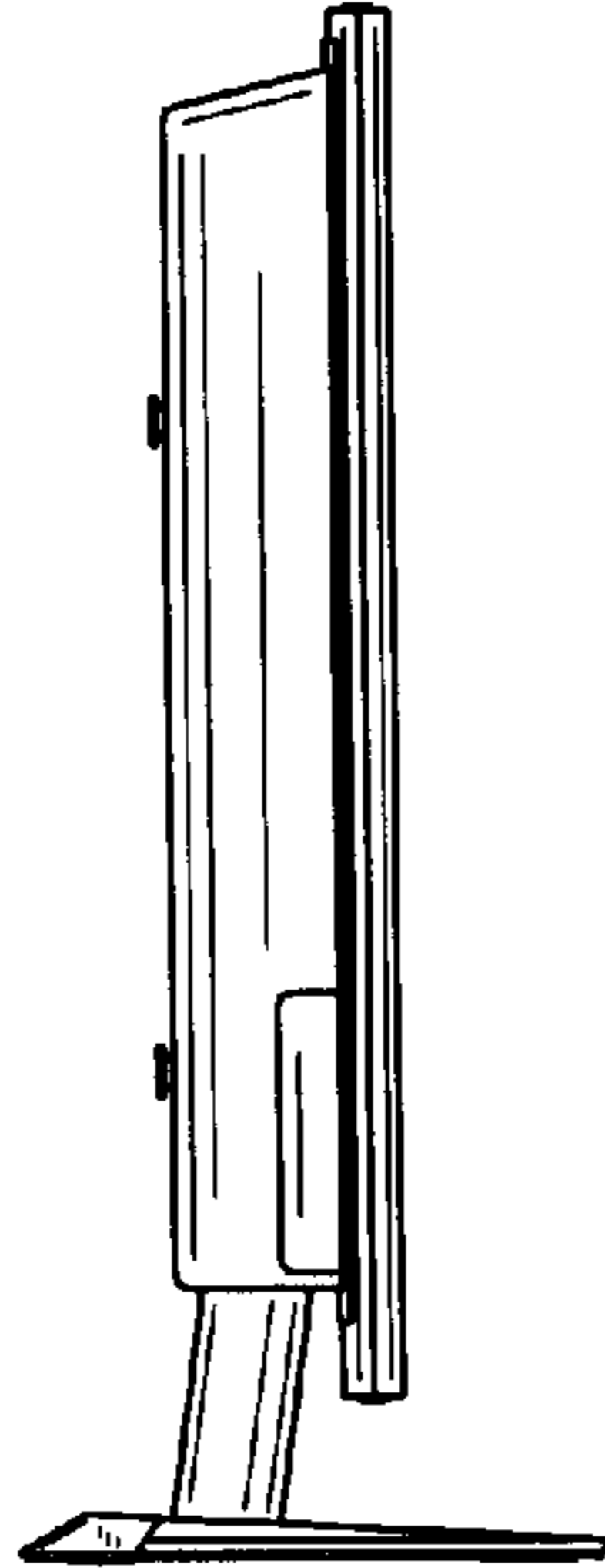


FIG. 5

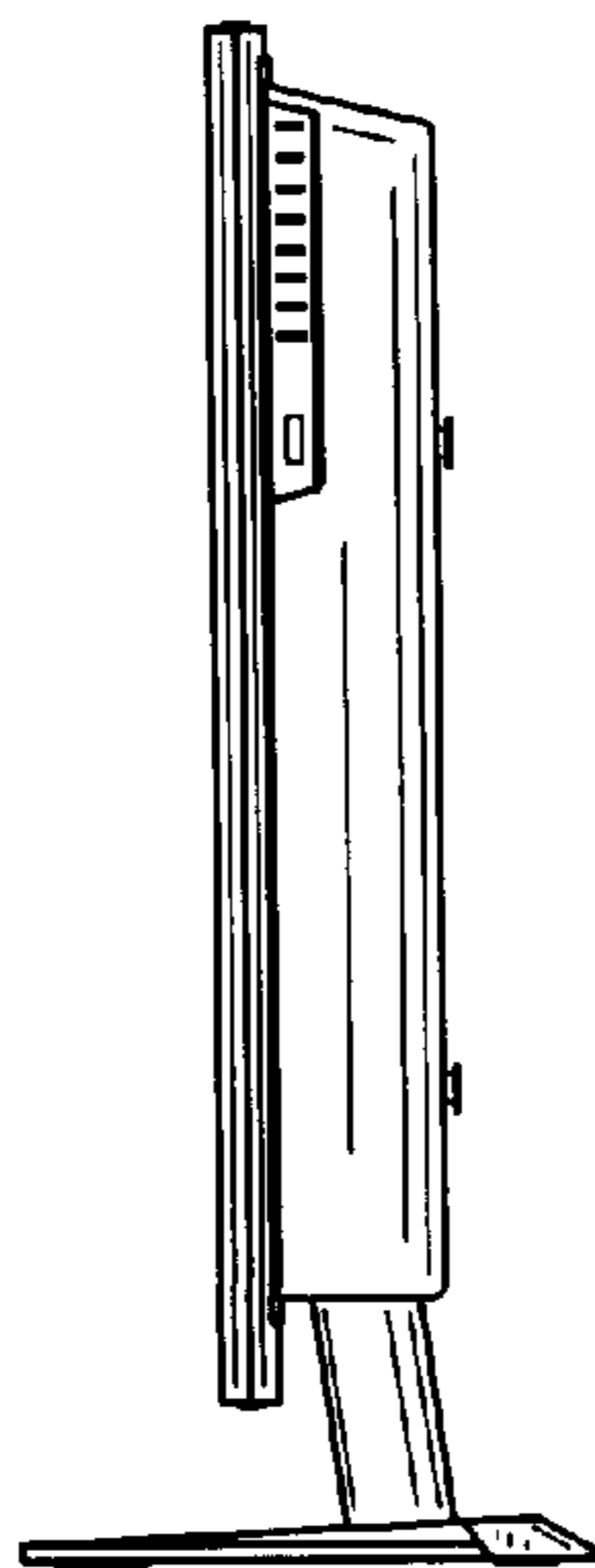


FIG. 6



FIG. 7

