



US00D488449S

(12) **United States Design Patent**
Kuo et al.

(10) **Patent No.:** **US D488,449 S**

(45) **Date of Patent:** **** Apr. 13, 2004**

(54) **PULL TAB FOR ELECTRICAL CONNECTOR**

(75) Inventors: **Chia-Ming Kuo**, Tu-Chen (TW);
Lung-Sheng Tai, Tu-Chen (TW);
Zhen-Da Hung, Tu-Chen (TW);
Hsien-Chu Lin, Tu-Chen (TW)

(73) Assignee: **Hon Hai Precision Ind. Co., Ltd.**,
Taipei Hsien (TW)

(**) Term: **14 Years**

(21) Appl. No.: **29/182,167**

(22) Filed: **May 20, 2003**

(51) **LOC (7) Cl.** **13-03**

(52) **U.S. Cl.** **D13/154**

(58) **Field of Search** D13/154; 439/160,
439/476.1, 483, 484

(56) **References Cited**

U.S. PATENT DOCUMENTS

- 2,476,735 A * 7/1949 Johnson 439/160
- 2,989,721 A * 6/1961 Steiner 439/476.1
- 4,310,208 A * 1/1982 Webster et al. 439/483 X
- 4,696,528 A * 9/1987 Harnois 439/160
- 5,085,596 A * 2/1992 Bowen et al. 439/497

- 5,586,906 A * 12/1996 Staros et al. 439/483
- 2002/0031926 A1 * 3/2002 Takahashi et al. 439/152

* cited by examiner

Primary Examiner—Joel Sincavage

(74) *Attorney, Agent, or Firm*—Wei Te Chung

(57) **CLAIM**

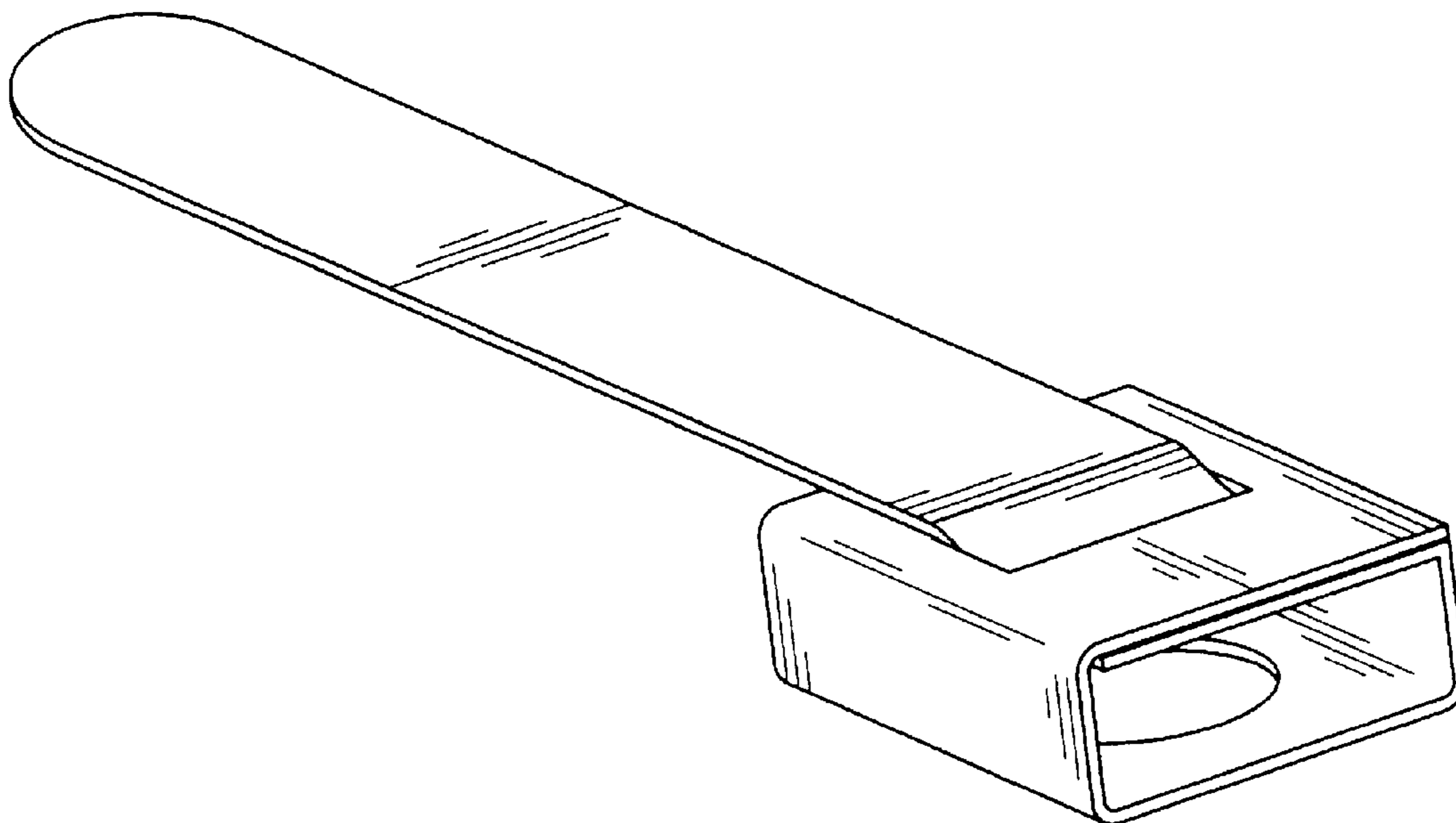
The ornamental design for a pull tab for electrical connector,
as shown and described.

DESCRIPTION

FIG. 1 is a front, top and left side perspective view of a pull tab;
 FIG. 2 is a front elevational view thereof;
 FIG. 3 is a rear elevational view thereof;
 FIG. 4 is a left side elevational view thereof;
 FIG. 5 is a right side elevational view thereof;
 FIG. 6 is a top plan view thereof;
 FIG. 7 is a bottom plan view thereof; and,
 FIG. 8 is an assembled view of the pull tab and an electrical connector.

The electrical connector shown in phantom lines in FIG. 8 is for illustrative purposes only and forms no part of the claimed invention.

1 Claim, 7 Drawing Sheets



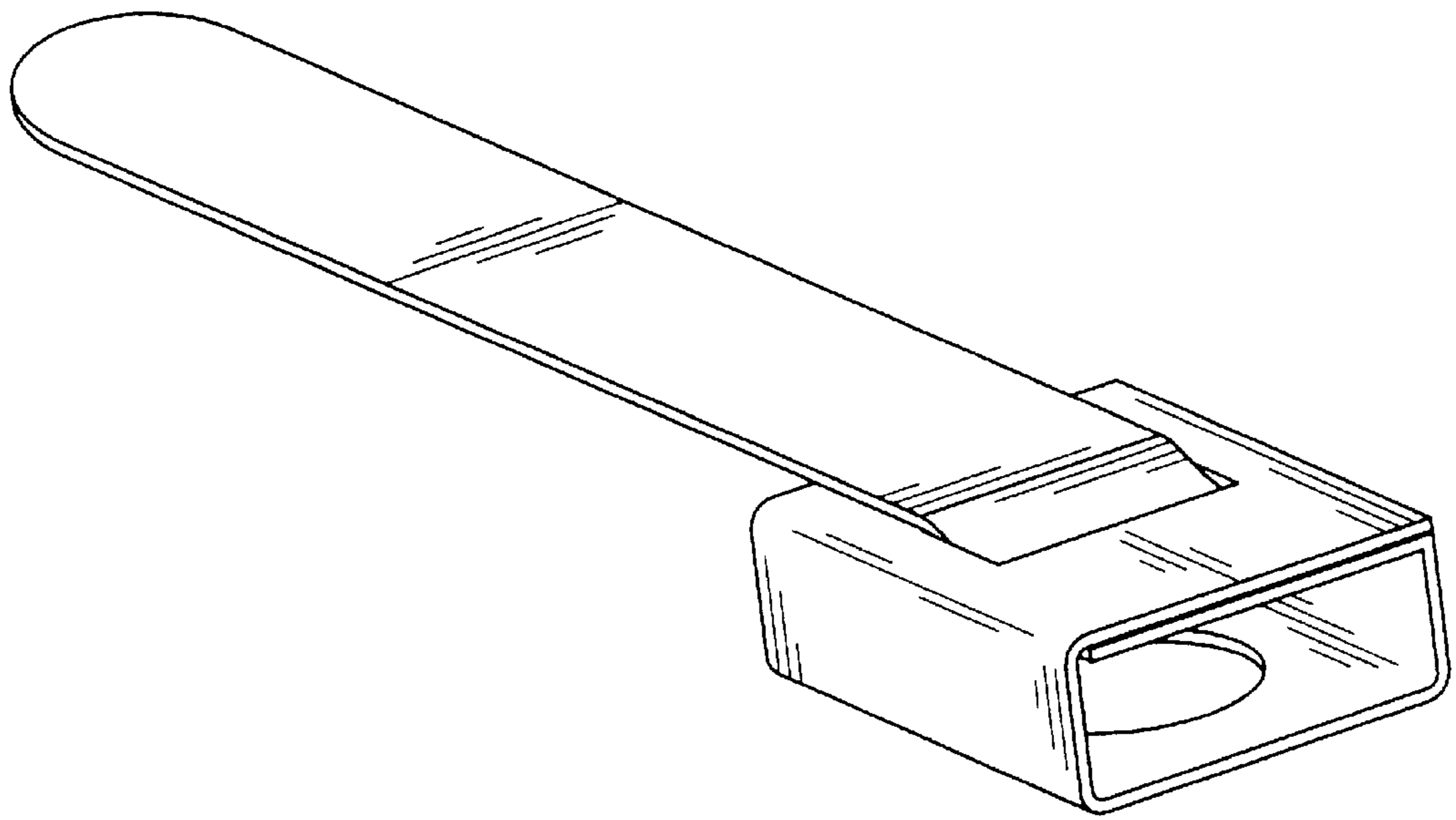


FIG. 1

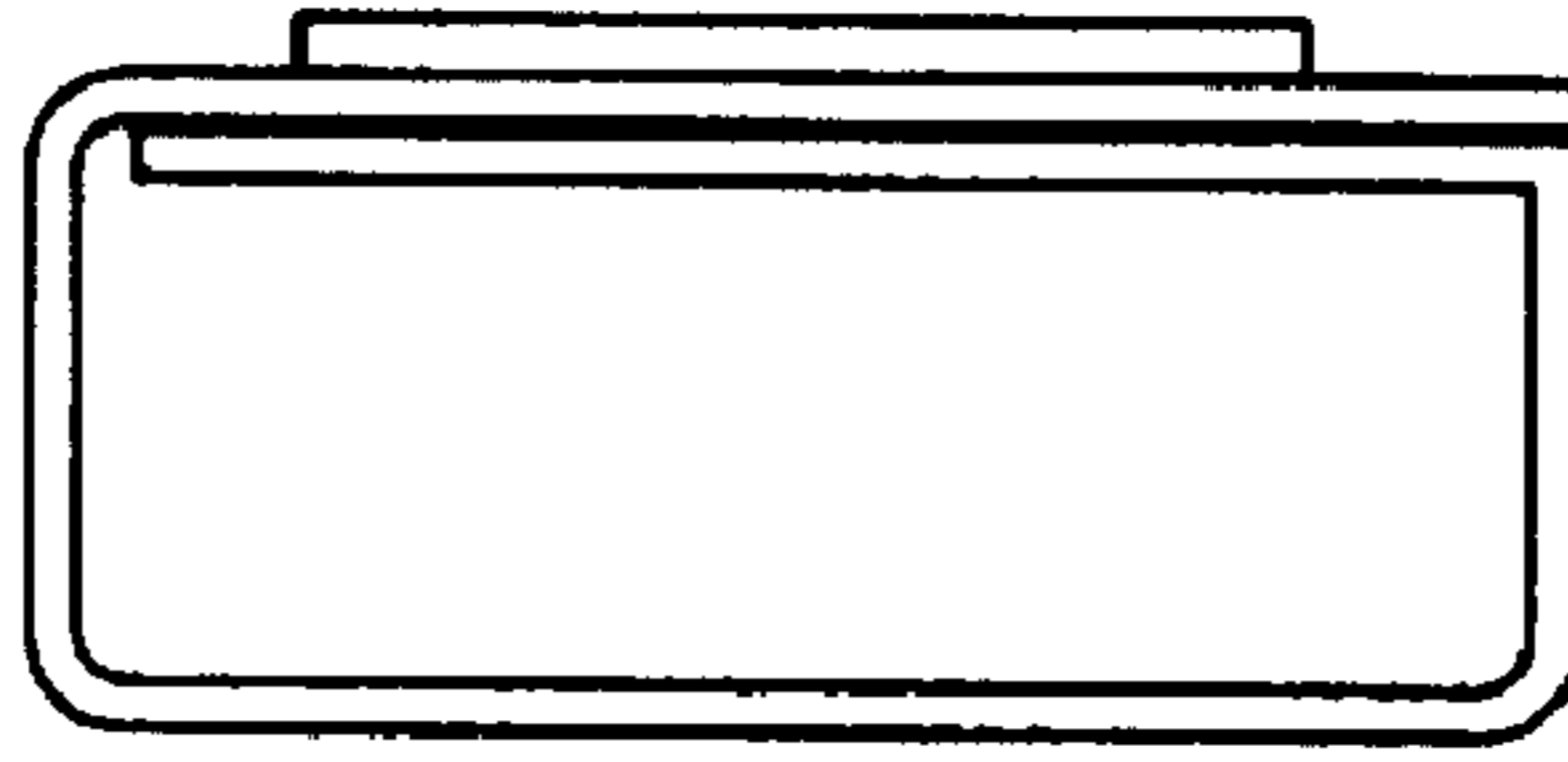


FIG. 2

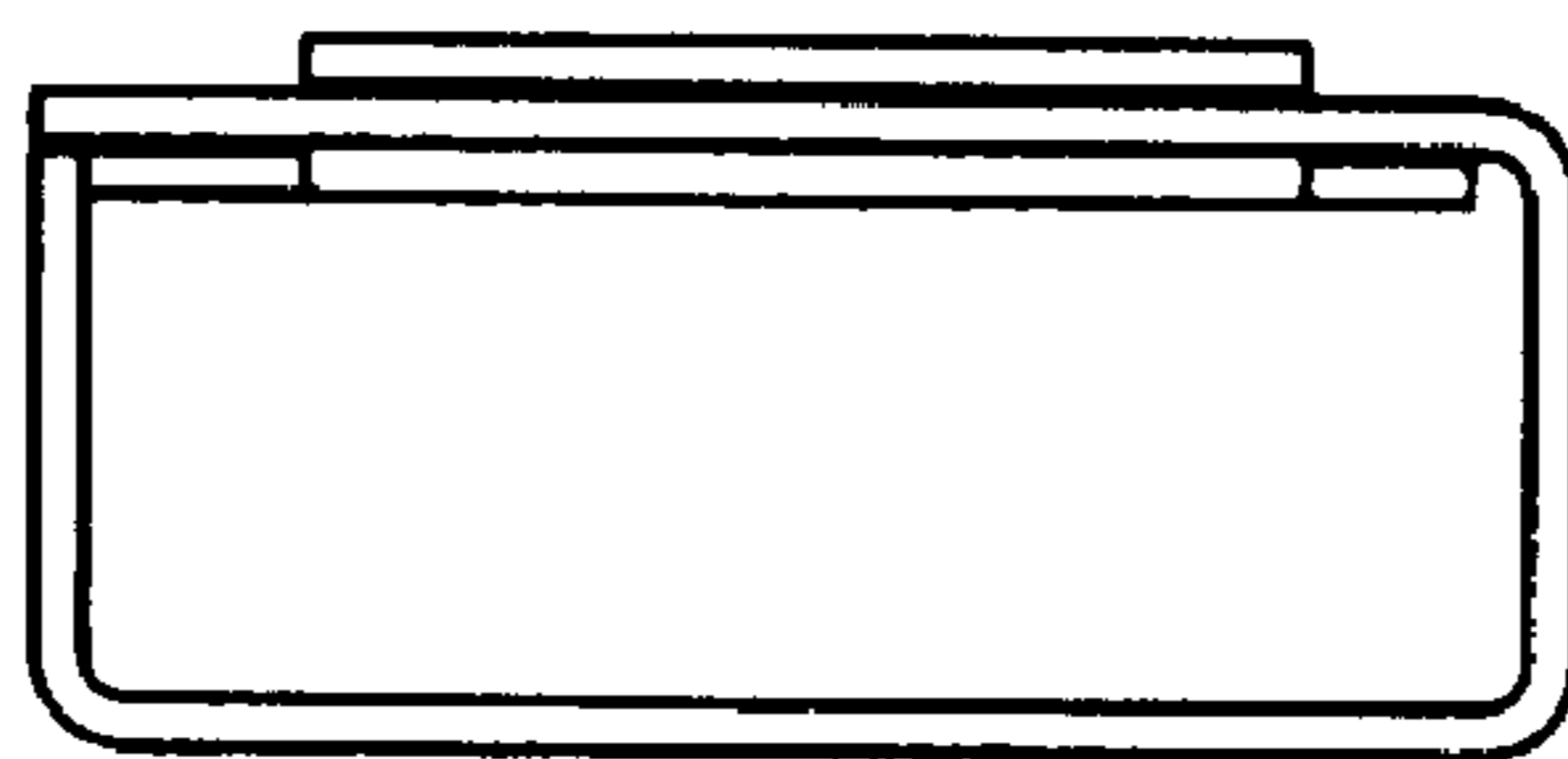


FIG. 3

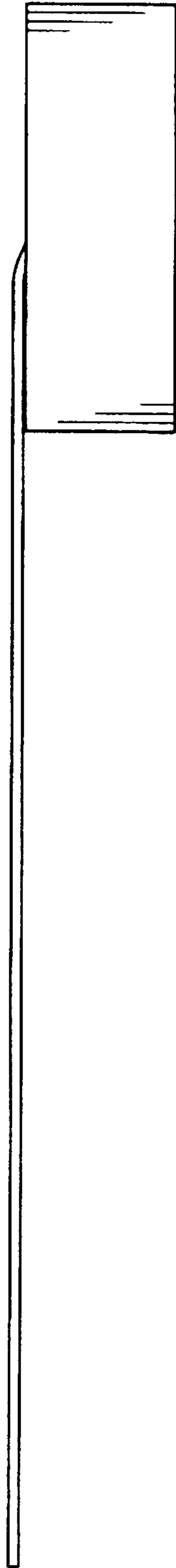


FIG. 4

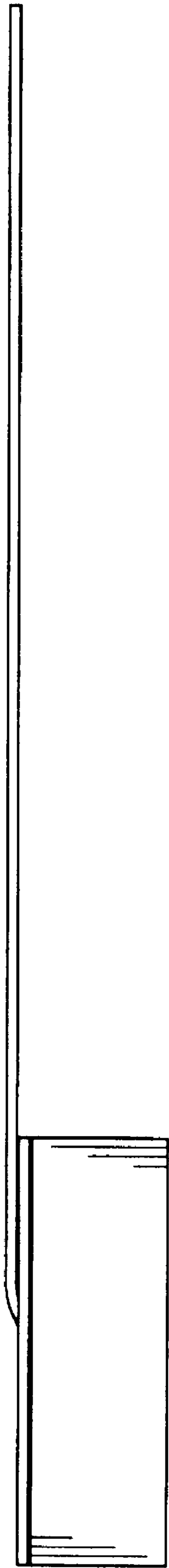


FIG. 5

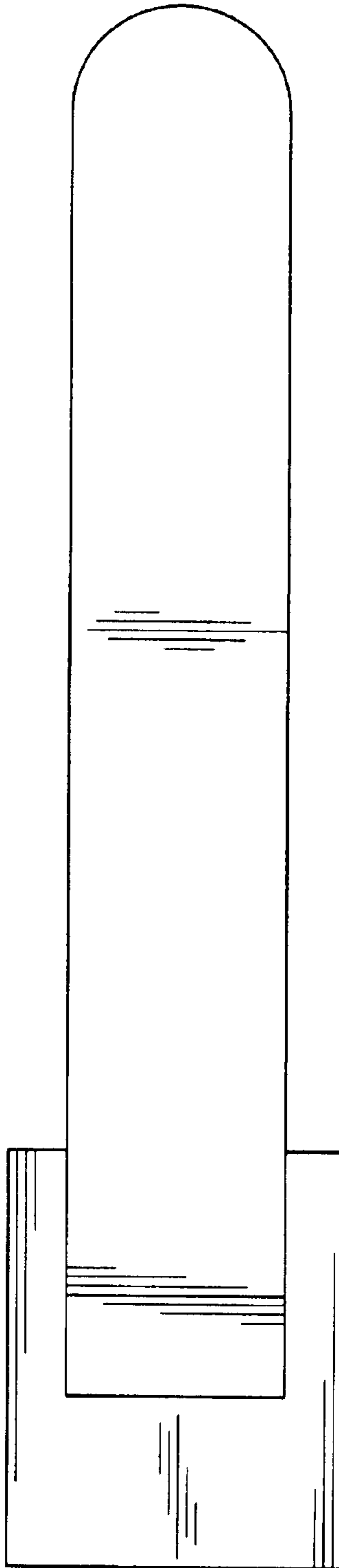


FIG. 6

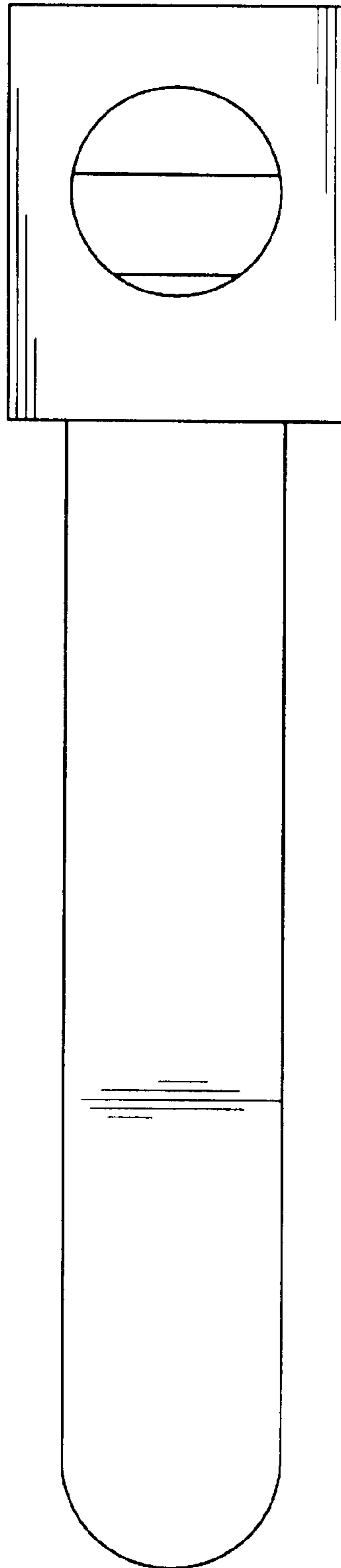


FIG. 7

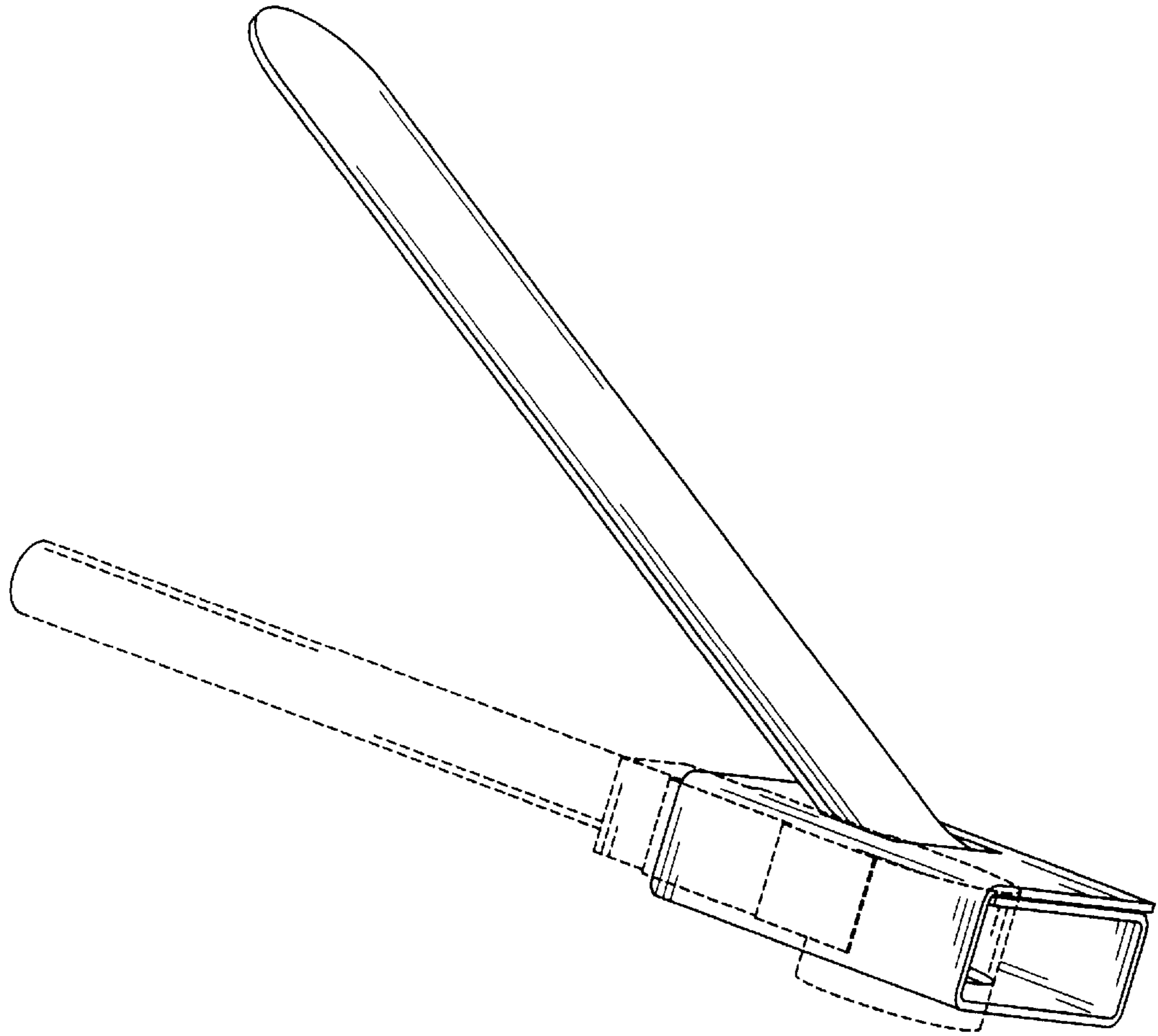


FIG. 8