



US00D488448S

(12) **United States Design Patent**
Ranger

(10) **Patent No.:** **US D488,448 S**

(45) **Date of Patent:** **** Apr. 13, 2004**

(54) **EXTENSION CABLE REEL**

(76) **Inventor:** **Jeremy David Osborn Ranger**, West
Cross House, Farringdon, Hants (GB),
GU34 3DT

(**) **Term:** **14 Years**

(21) **Appl. No.:** **29/163,698**

(22) **Filed:** **Jul. 11, 2002**

(30) **Foreign Application Priority Data**

Jan. 12, 2002 (GB) 3000655

(51) **LOC (7) Cl.** **13-03**

(52) **U.S. Cl.** **D13/154**

(58) **Field of Search** D13/137.4, 139.6-139.8,
D13/154; 191/12.2 R, 12.4; 439/501; 242/378.3,
388.1, 379

(56) **References Cited**

U.S. PATENT DOCUMENTS

5,241,593 A * 8/1993 Wagner 191/12.4

D363,461 S * 10/1995 Duckman et al. D13/154
D419,528 S * 1/2000 Hakoda D13/154
D461,168 S * 8/2002 Liao D13/155
6,446,898 B1 * 9/2002 Hwang 242/388.1

* cited by examiner

Primary Examiner—Jennifer Rivard
(74) *Attorney, Agent, or Firm*—Blank Rome LLP

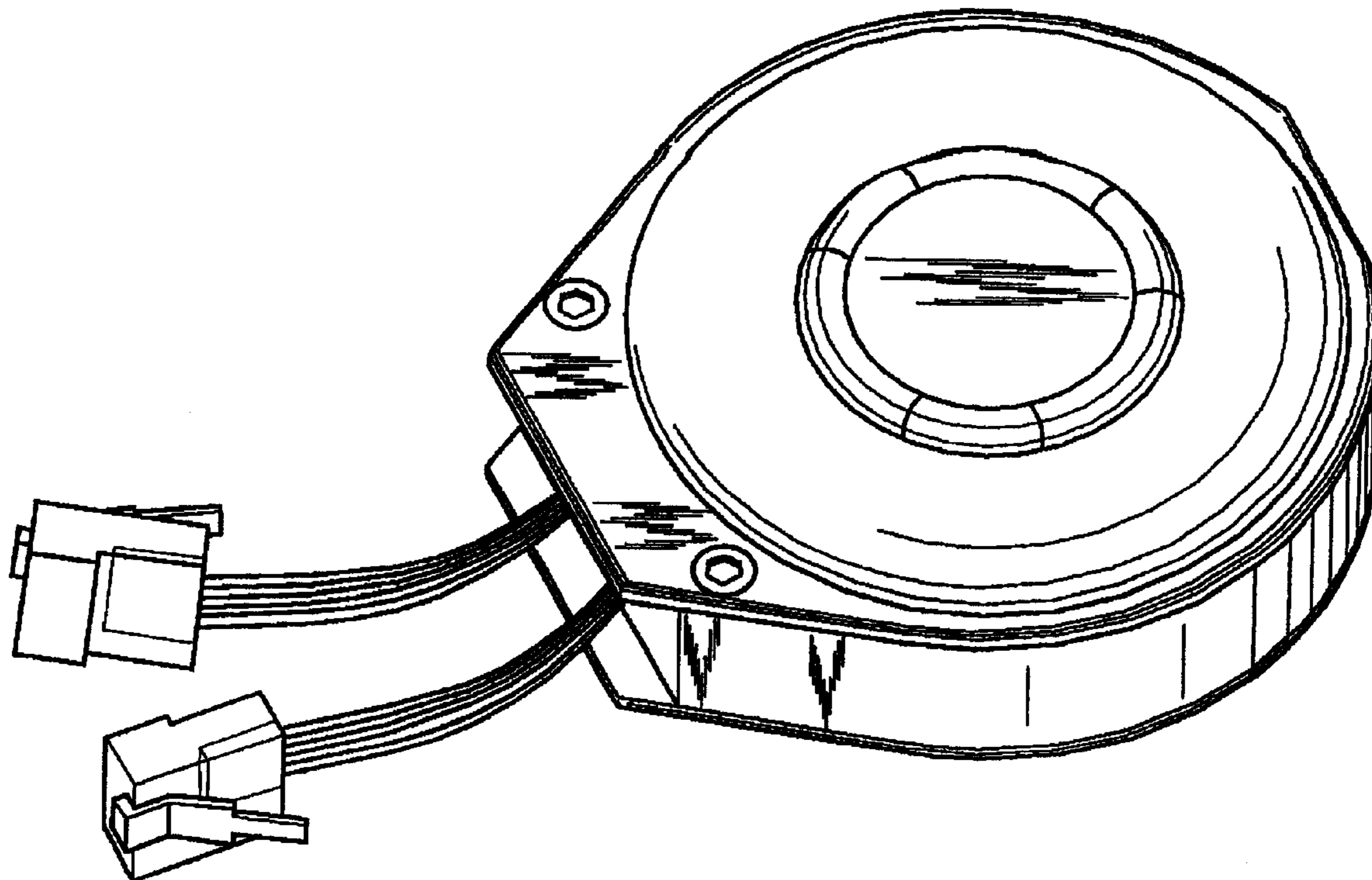
(57) **CLAIM**

The ornamental design for an extension cable reel, as shown and described.

DESCRIPTION

FIG. 1 is a perspective view from above of an extension cable reel in accordance with this design showing cable partially withdrawn from reel; and, FIG. 2 is a perspective view from above of an extension cable reel shown in FIG. 1 showing cable fully retracted in reel.

1 Claim, 1 Drawing Sheet



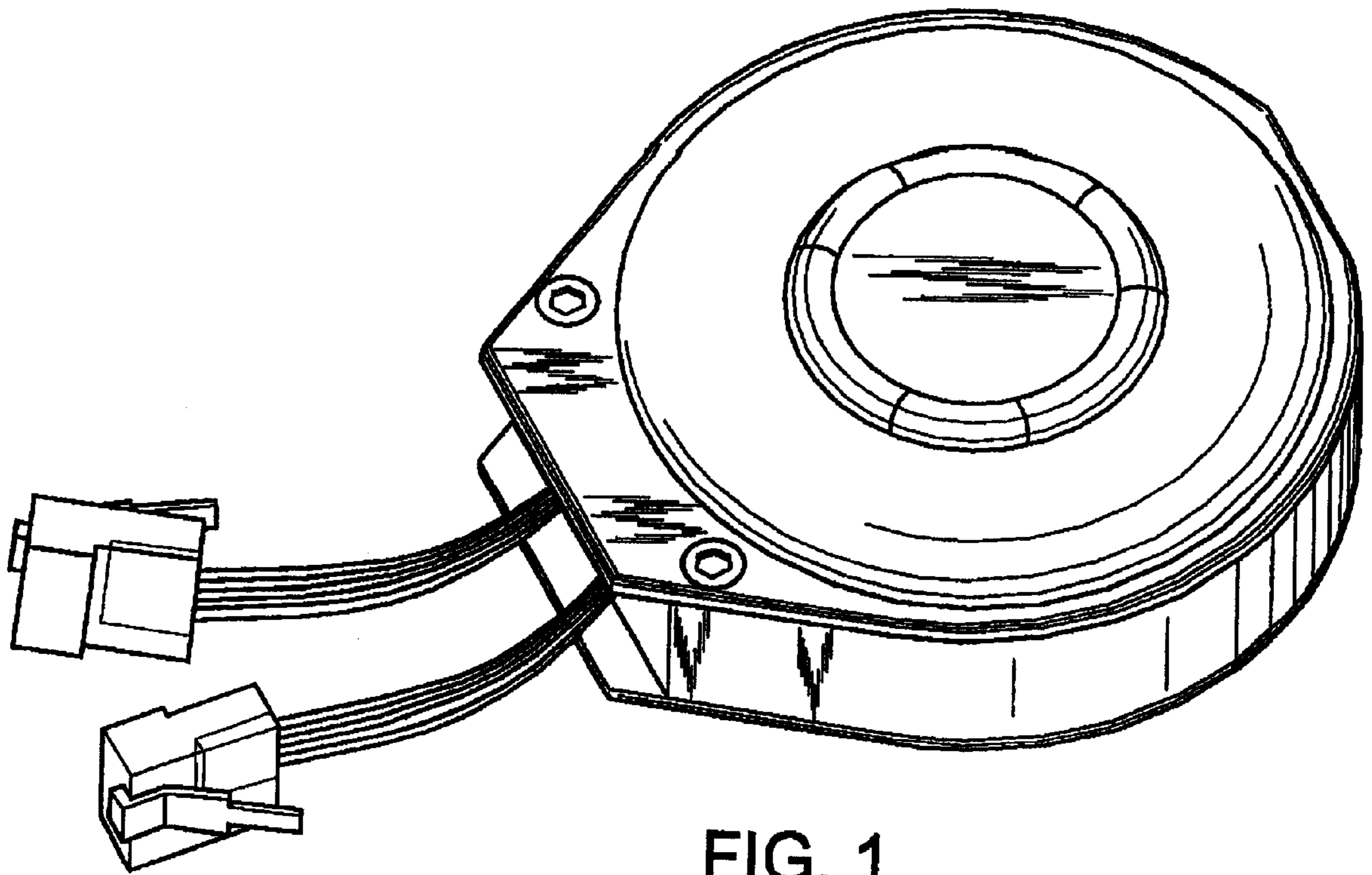


FIG. 1

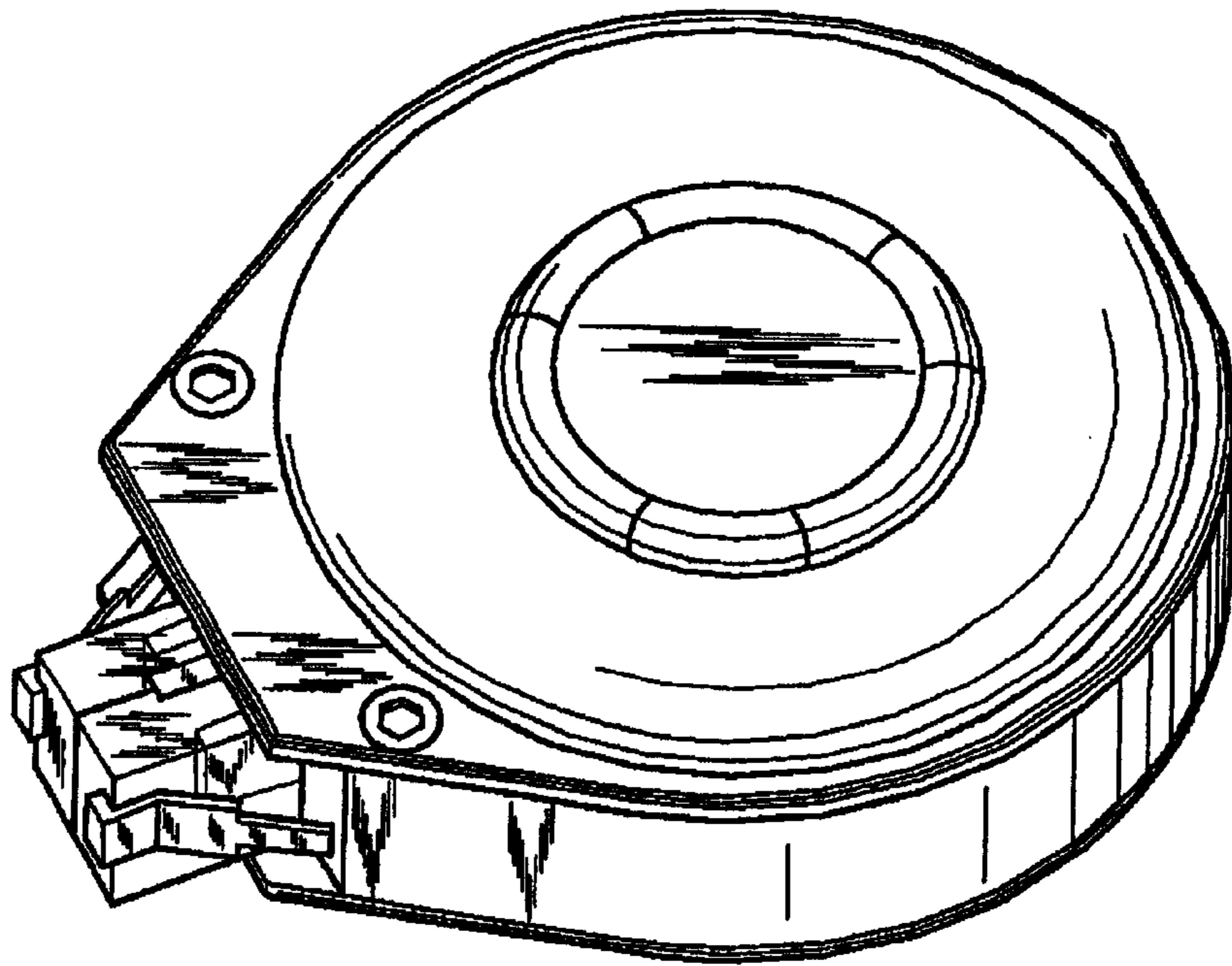


FIG. 2