



US00D488447S

(12) **United States Design Patent**
Kuroki

(10) **Patent No.:** **US D488,447 S**

(45) **Date of Patent:** **** Apr. 13, 2004**

(54) **ELECTRICAL CONNECTOR**

(75) **Inventor:** **Yoshihide Kuroki, Tachikawa (JP)**

(73) **Assignee:** **Japan Aviation Electronics Industry, Limited, Tokyo (JP)**

(**) **Term:** **14 Years**

(21) **Appl. No.:** **29/181,149**

(22) **Filed:** **May 6, 2003**

(30) **Foreign Application Priority Data**

Nov. 6, 2002 (JP) 2002-034298

(51) **LOC (7) Cl.** **13-03**

(52) **U.S. Cl.** **D13/147**

(58) **Field of Search** D13/146, 147;
439/59, 61, 62, 76.1, 79, 83, 108, 378,
497, 566, 567, 607, 609, 610, 630, 632,
634, 636, 637, 660, 680

(56) **References Cited**

U.S. PATENT DOCUMENTS

5,151,036 A * 9/1992 Fusselman et al. 439/108
D452,680 S * 1/2002 Kubota D13/147

6,565,390 B2 * 5/2003 Wu 439/680
6,572,404 B1 * 6/2003 Wu 439/567
D481,359 S * 10/2003 Kuroki et al. D13/147

* cited by examiner

Primary Examiner—Philip S. Hyder
Assistant Examiner—Selina Sikder
(74) *Attorney, Agent, or Firm*—Collard & Roe, P.C.

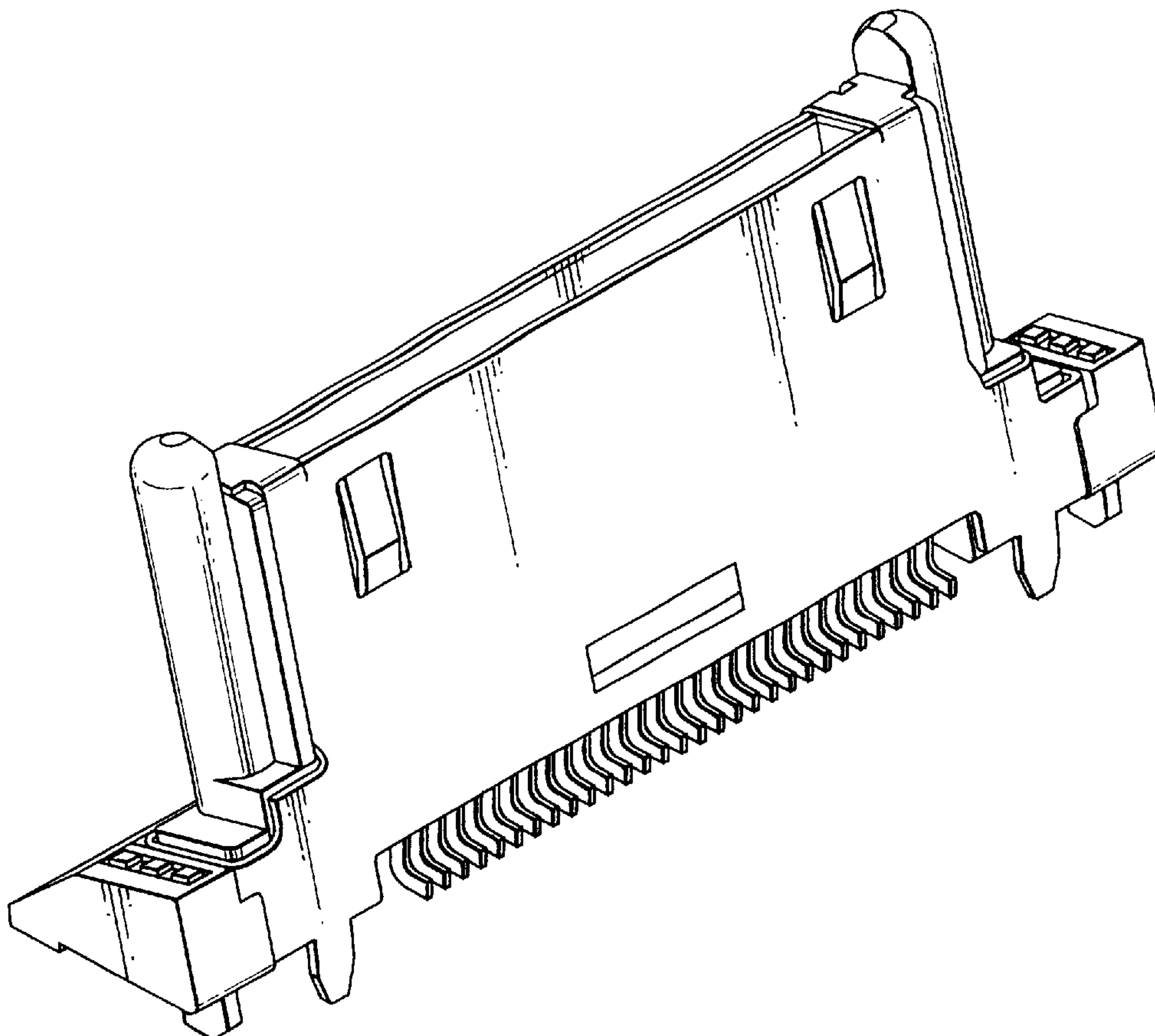
(57) **CLAIM**

The ornamental design for an electrical connector, as shown and described.

DESCRIPTION

FIG. 1 is a front, top, and right side perspective view of an electrical connector;
FIG. 2 is a front, bottom, and left side perspective view thereof;
FIG. 3 is a top plan view thereof;
FIG. 4 is front elevational view thereof;
FIG. 5 is a right side elevational view thereof;
FIG. 6 is a left side elevational view thereof;
FIG. 7 is a bottom plan view thereof; and,
FIG. 8 is rear elevational view thereof.

1 Claim, 3 Drawing Sheets



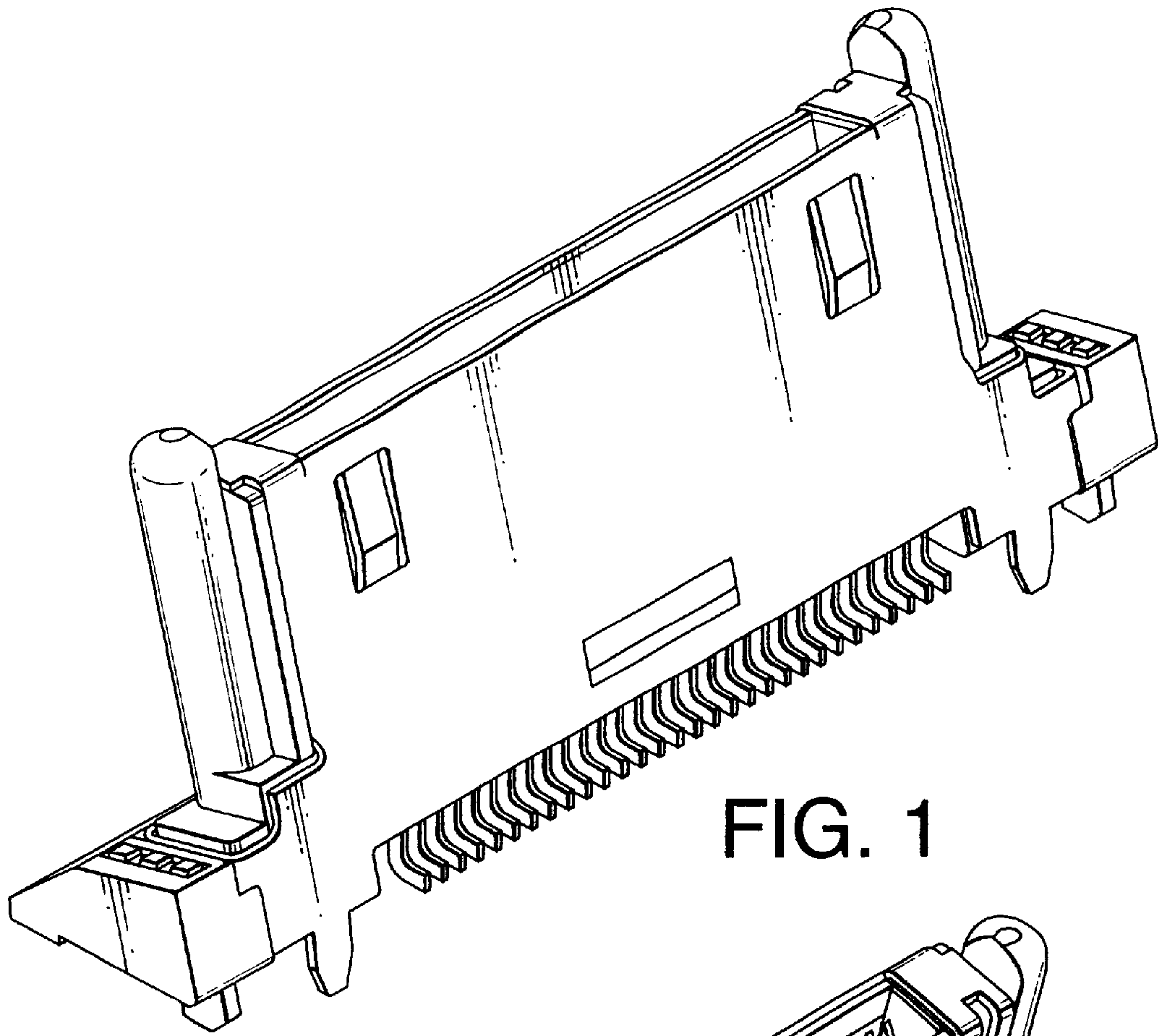


FIG. 1

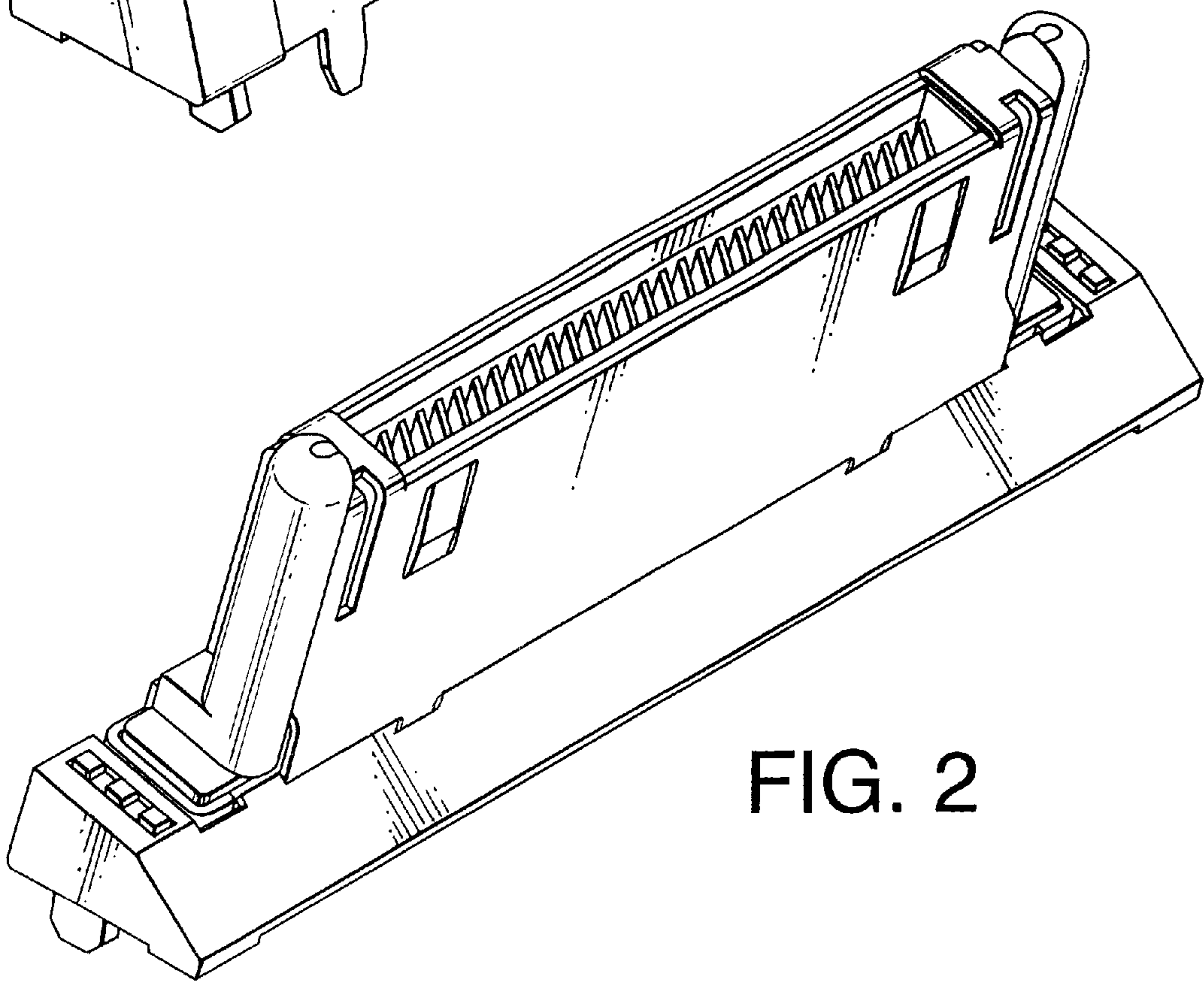


FIG. 2

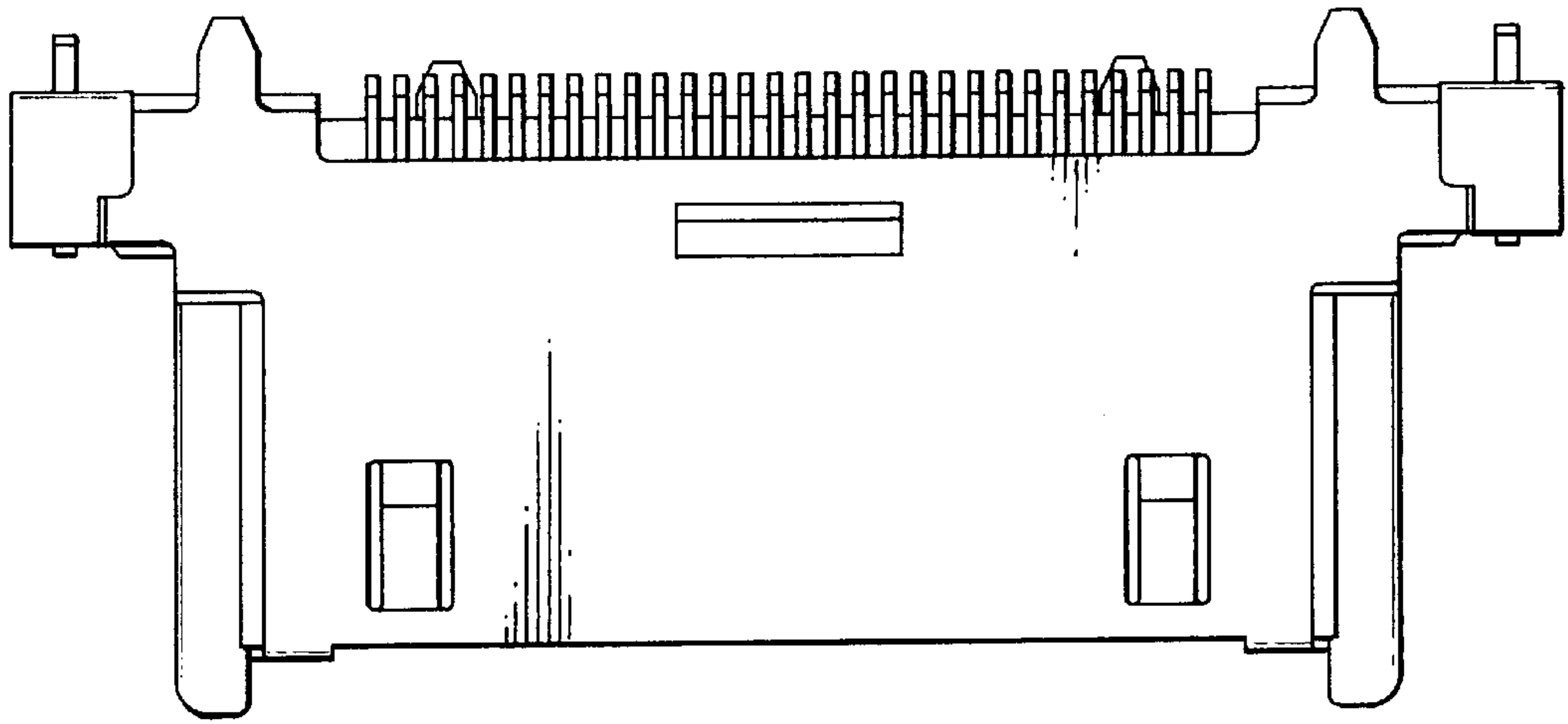


FIG. 3

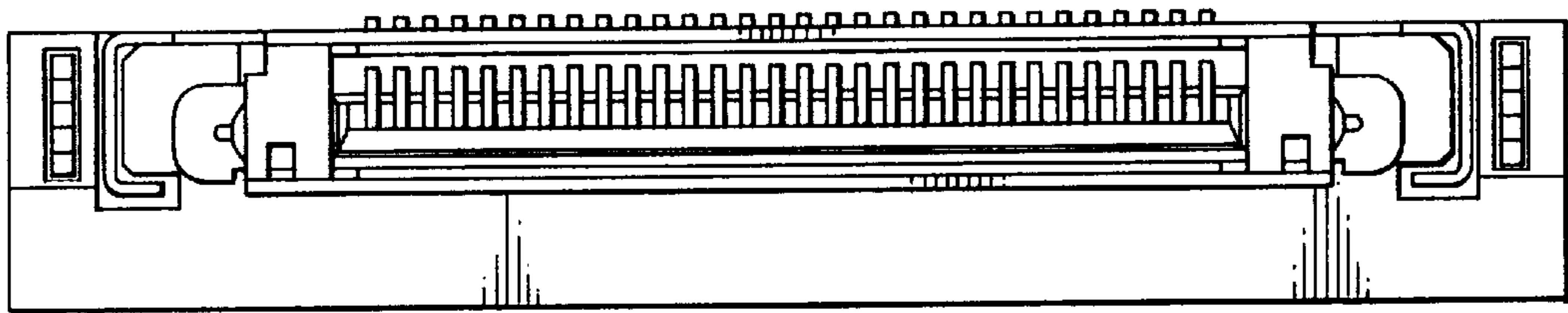


FIG. 4

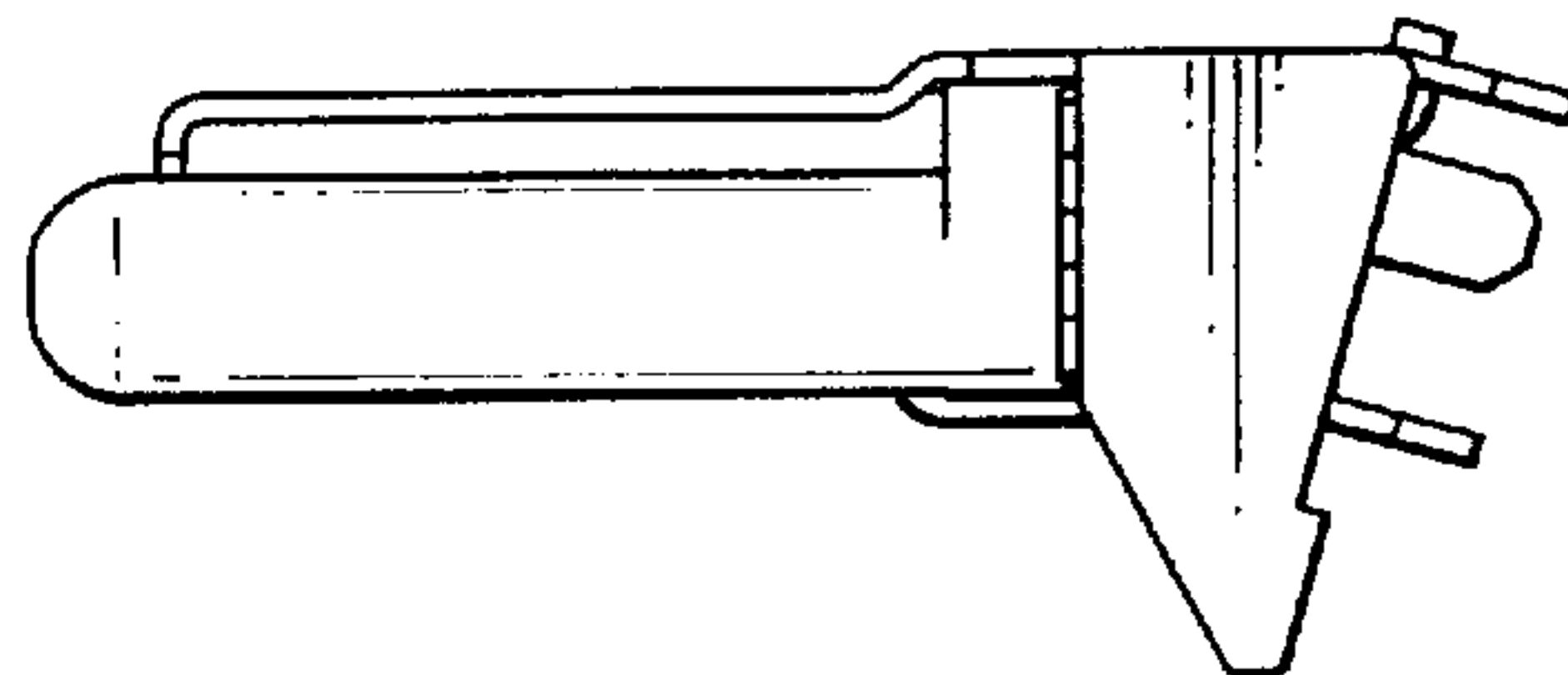


FIG. 5

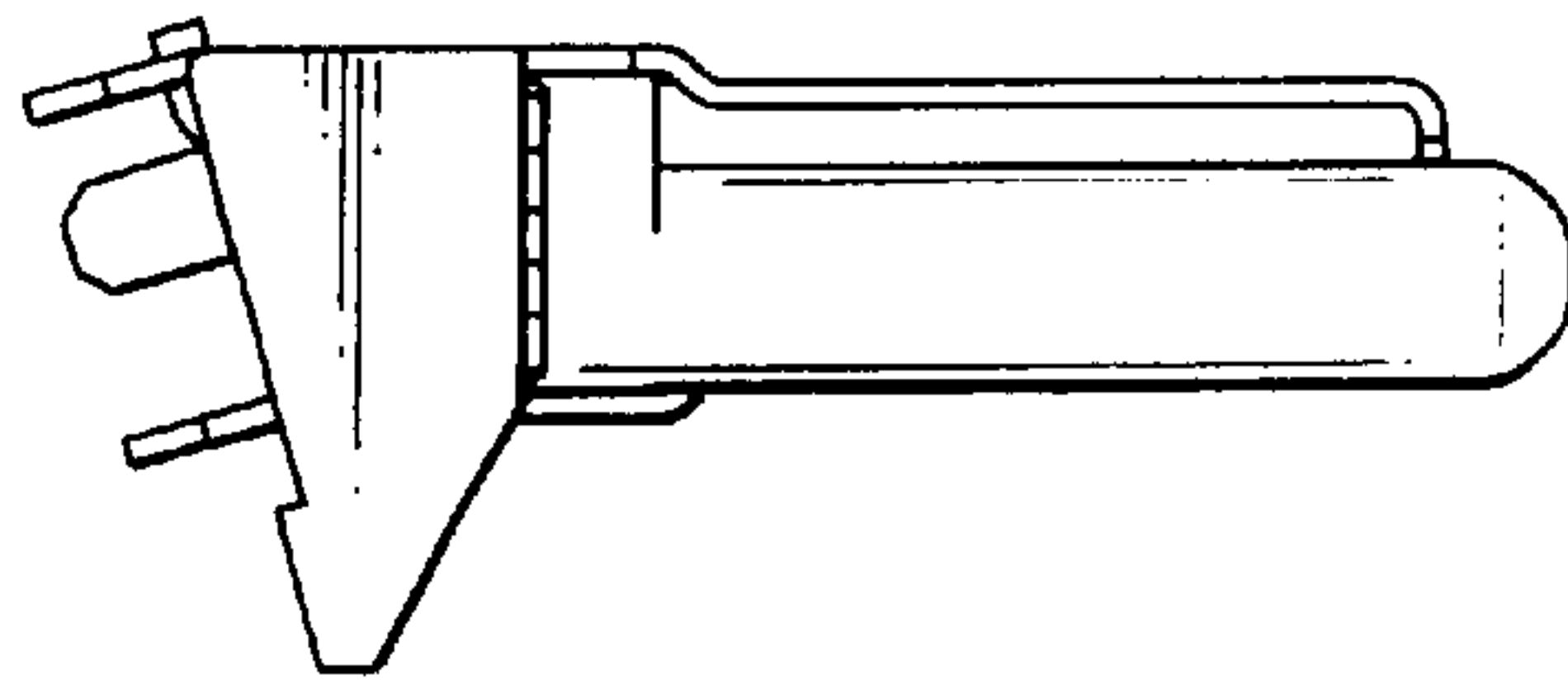


FIG. 6

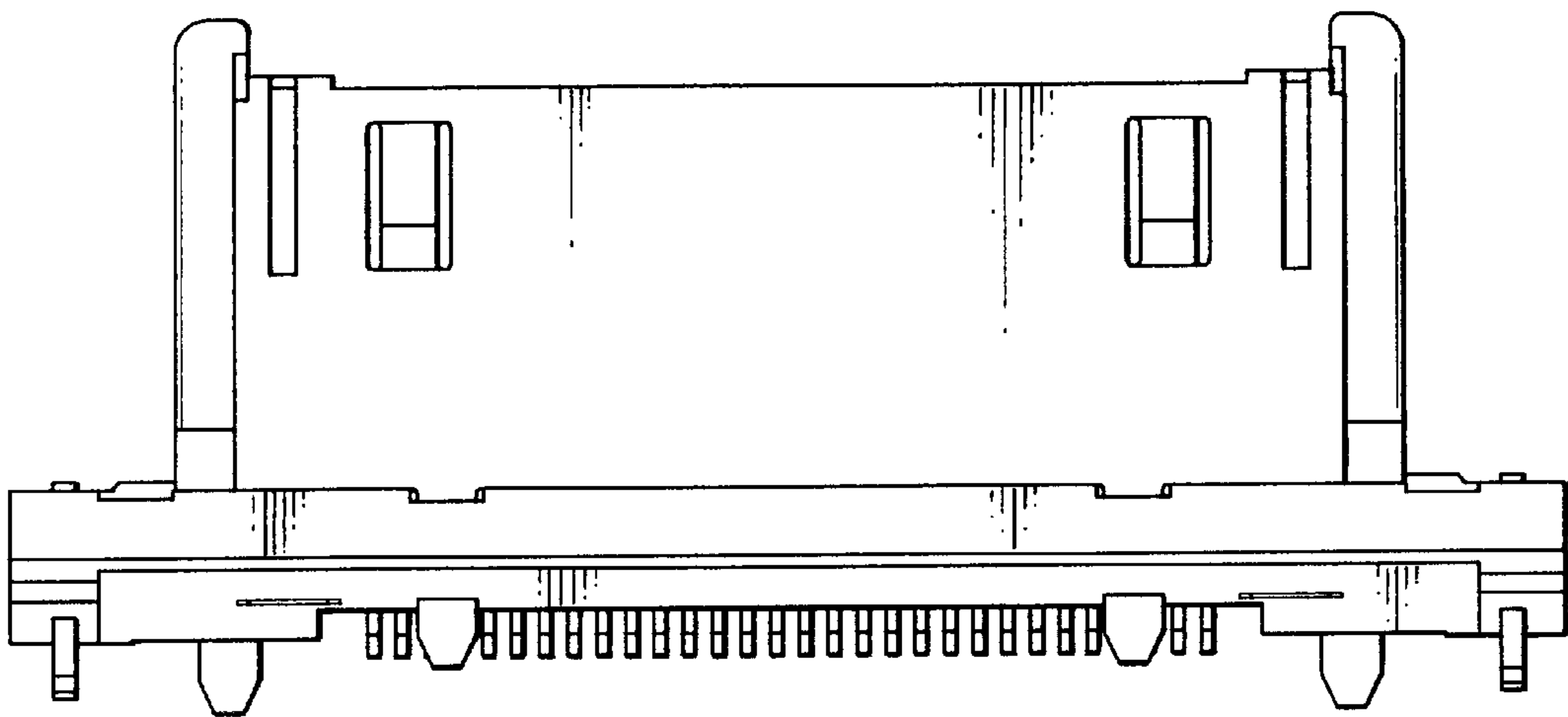


FIG. 7

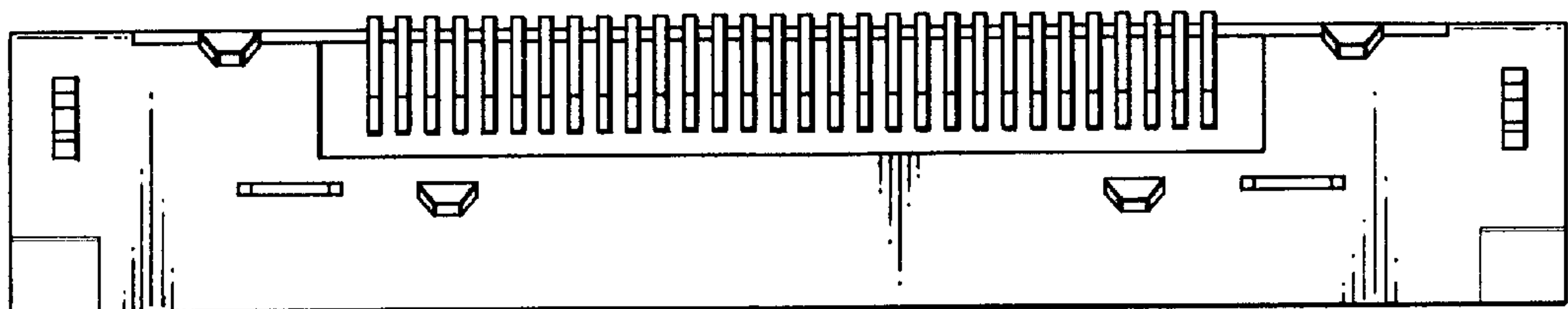


FIG. 8