



US00D488446S

(12) **United States Design Patent**
Sato

(10) **Patent No.:** **US D488,446 S**

(45) **Date of Patent:** **** Apr. 13, 2004**

(54) **ELECTRICAL CONNECTOR**

(75) **Inventor:** **Yukiko Sato, Akishima (JP)**

(73) **Assignee:** **Japan Aviation Electronics Industry, Limited, Tokyo (JP)**

(**) **Term:** **14 Years**

(21) **Appl. No.:** **29/178,380**

(22) **Filed:** **Mar. 25, 2003**

(30) **Foreign Application Priority Data**

Sep. 27, 2002 (JP) 2002-030214

(51) **LOC (7) Cl.** **13-03**

(52) **U.S. Cl.** **D13/147**

(58) **Field of Search** D13/146, 147;
439/607, 610, 677-681, 497, 567

(56) **References Cited**

U.S. PATENT DOCUMENTS

- D408,788 S * 4/1999 Homma D13/147
- D416,863 S * 11/1999 Sato et al. D13/147
- 6,224,420 B1 * 5/2001 Nishio et al. 439/566

- D453,499 S * 2/2002 Hisada et al. D13/147
- 6,347,960 B1 * 2/2002 Chen 439/607
- D465,202 S * 11/2002 Kubota D13/147
- D478,320 S * 8/2003 Suzuki et al. D13/147

* cited by examiner

Primary Examiner—Philip S. Hyder

Assistant Examiner—Selina Sikder

(74) *Attorney, Agent, or Firm*—Collard & Roe, P.C.

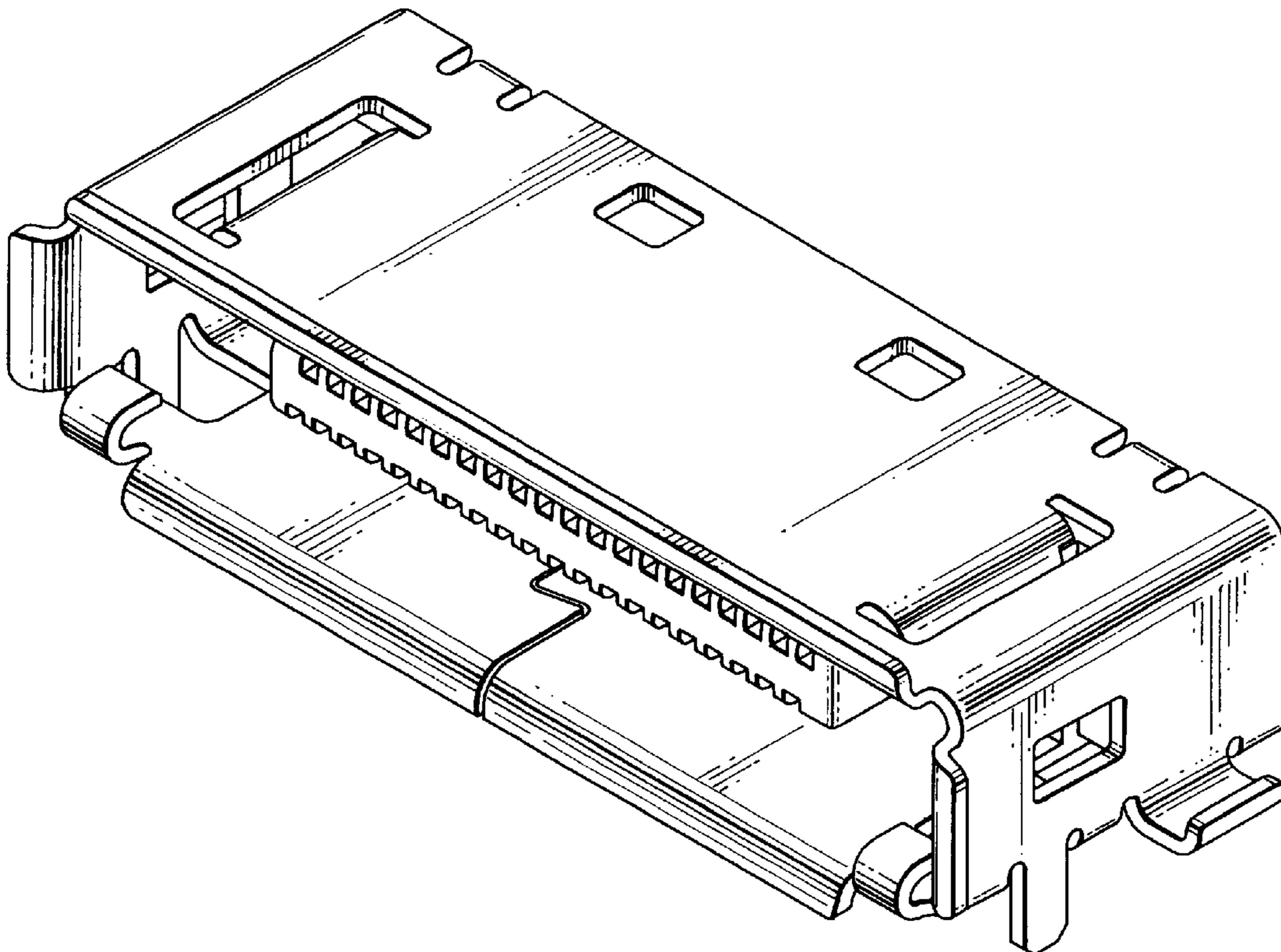
(57) **CLAIM**

The ornamental design for an electrical connector, as shown and described.

DESCRIPTION

FIG. 1 is a front, top, and right side perspective view of an electrical connector;
 FIG. 2 is a front elevational view thereof;
 FIG. 3 is a top plan view thereof;
 FIG. 4 is a bottom plan view thereof;
 FIG. 5 is a rear elevational view thereof;
 FIG. 6 is a right side elevational view thereof; and,
 FIG. 7 is a left side elevational view thereof.

1 Claim, 3 Drawing Sheets



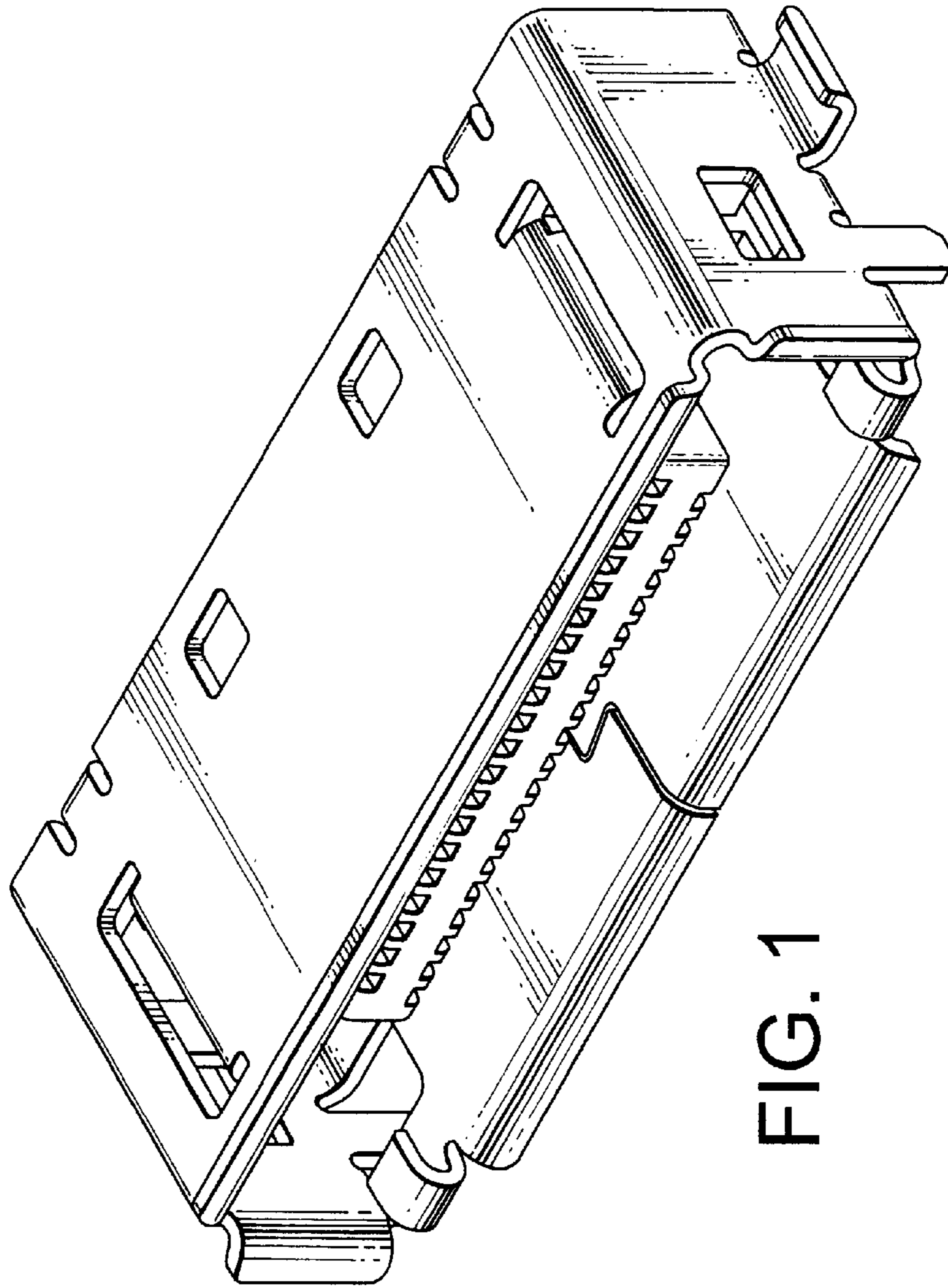


FIG. 1

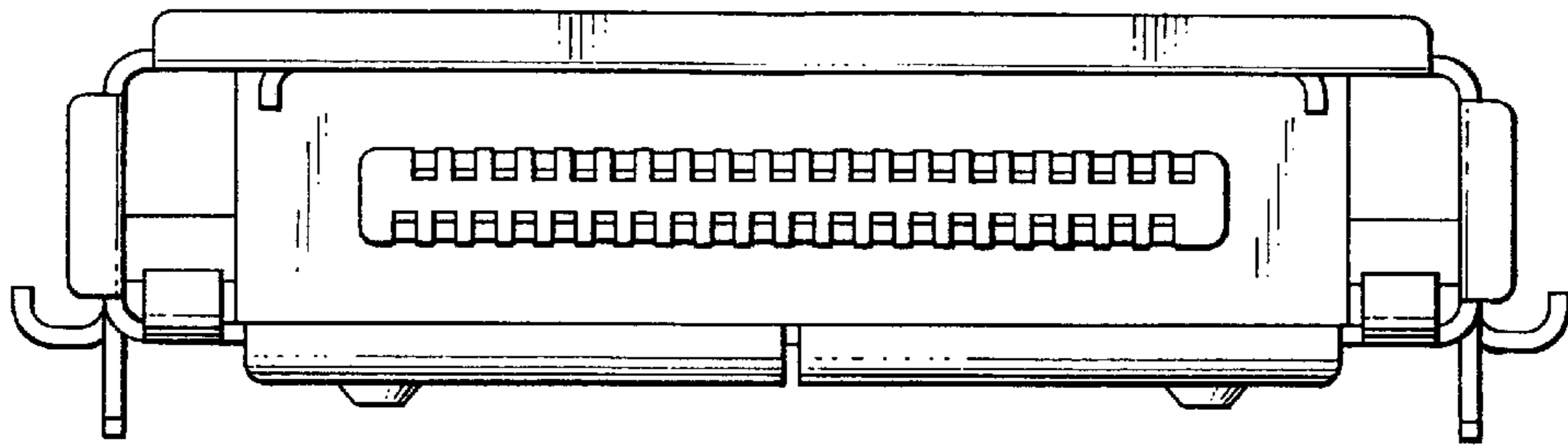


FIG. 2

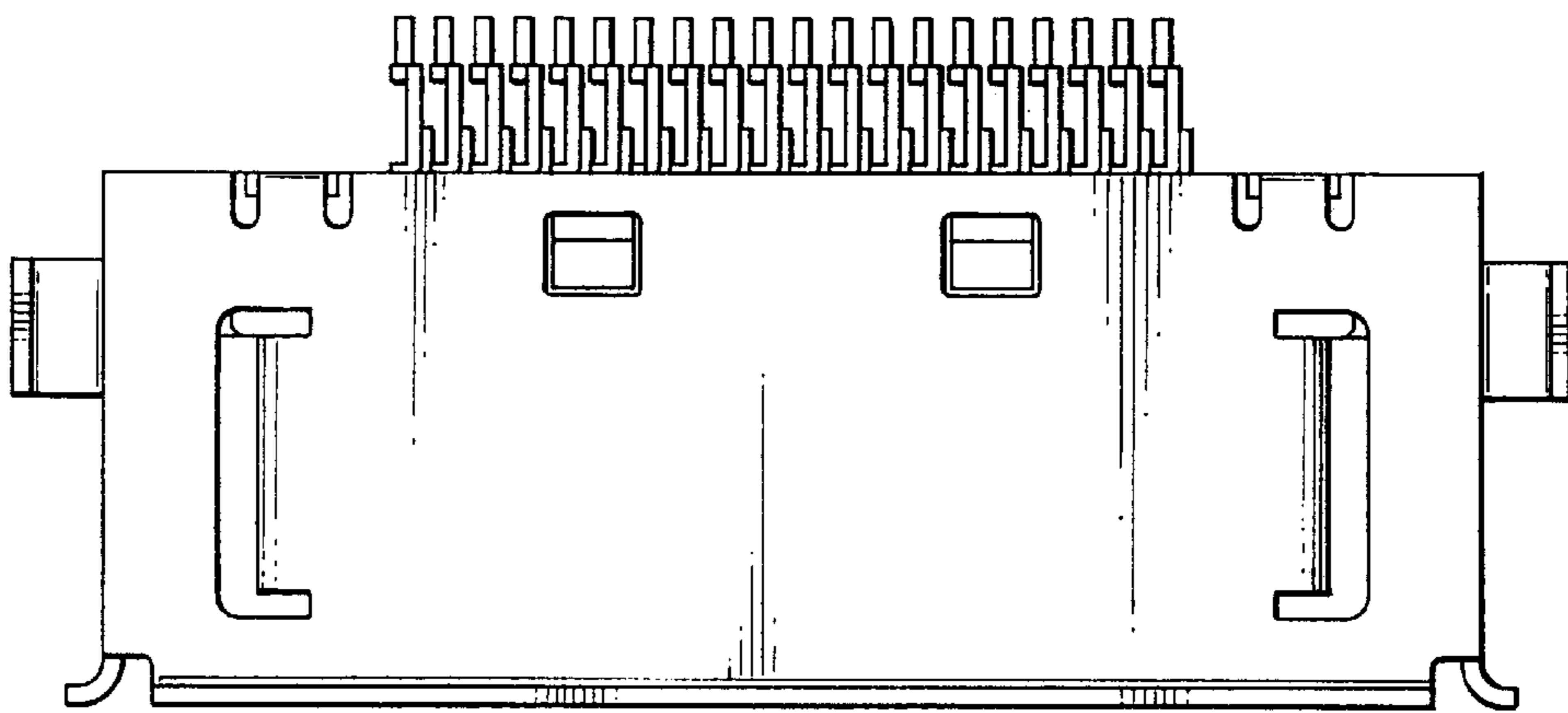


FIG. 3

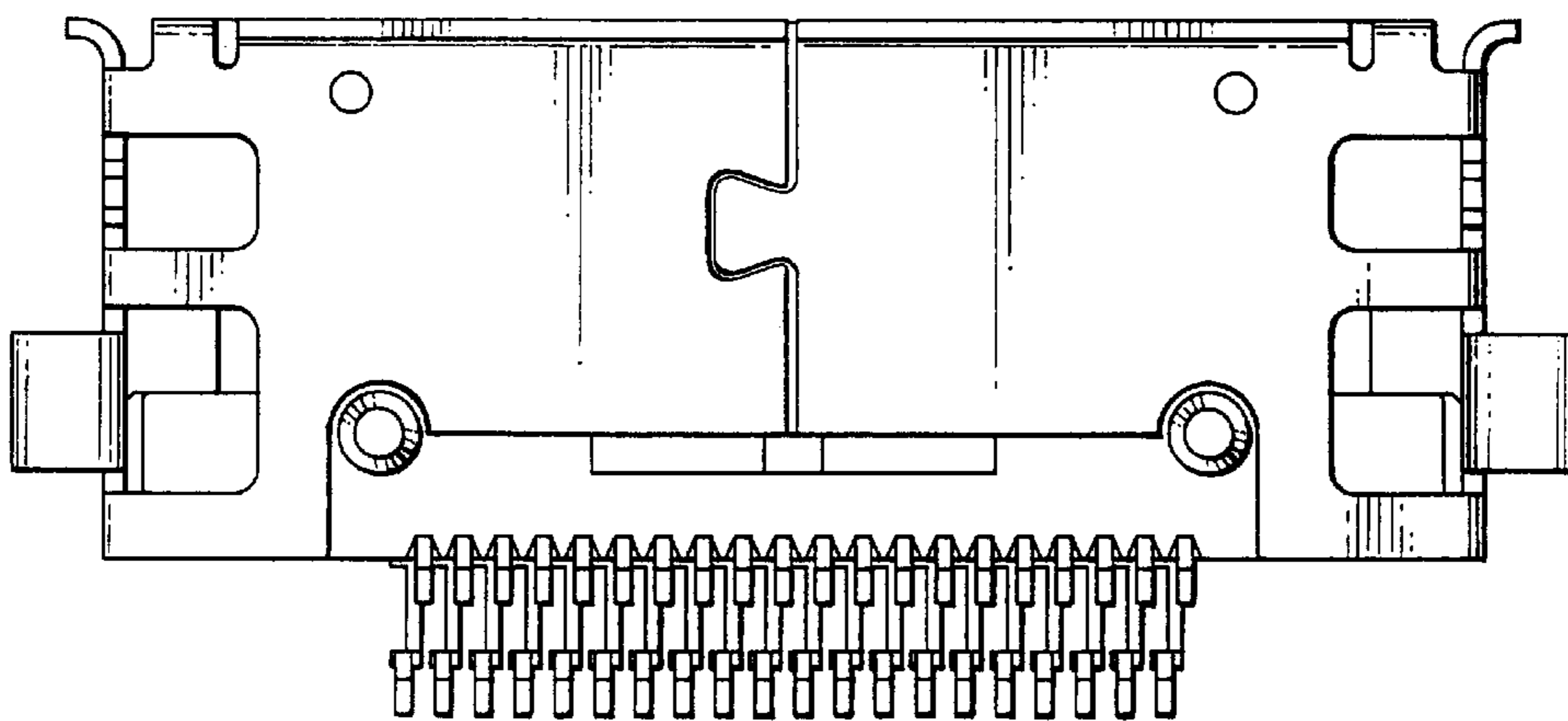


FIG. 4

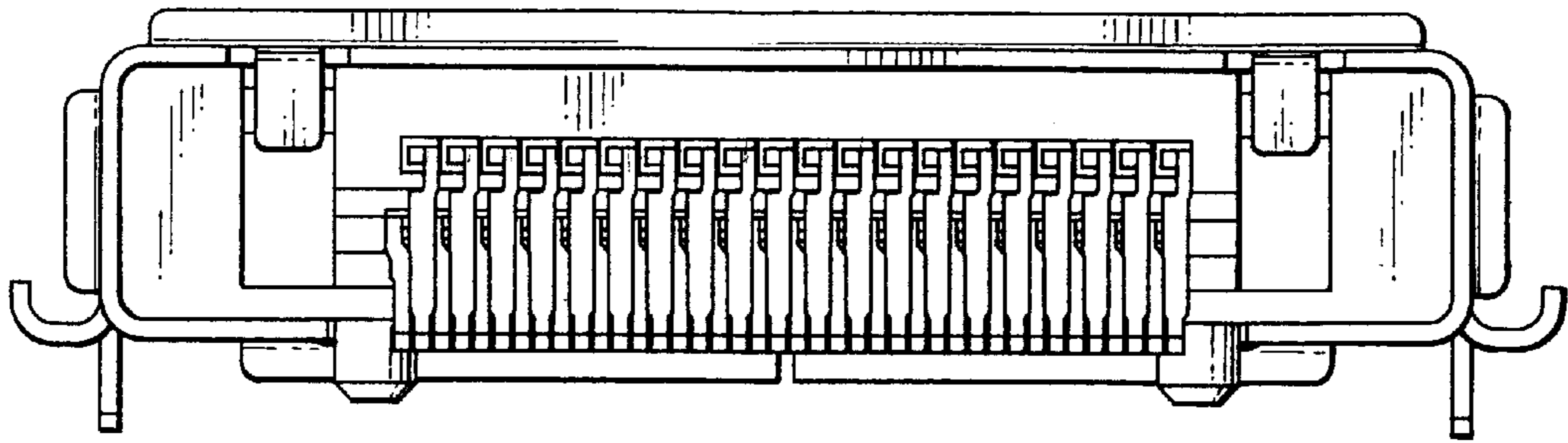


FIG. 5

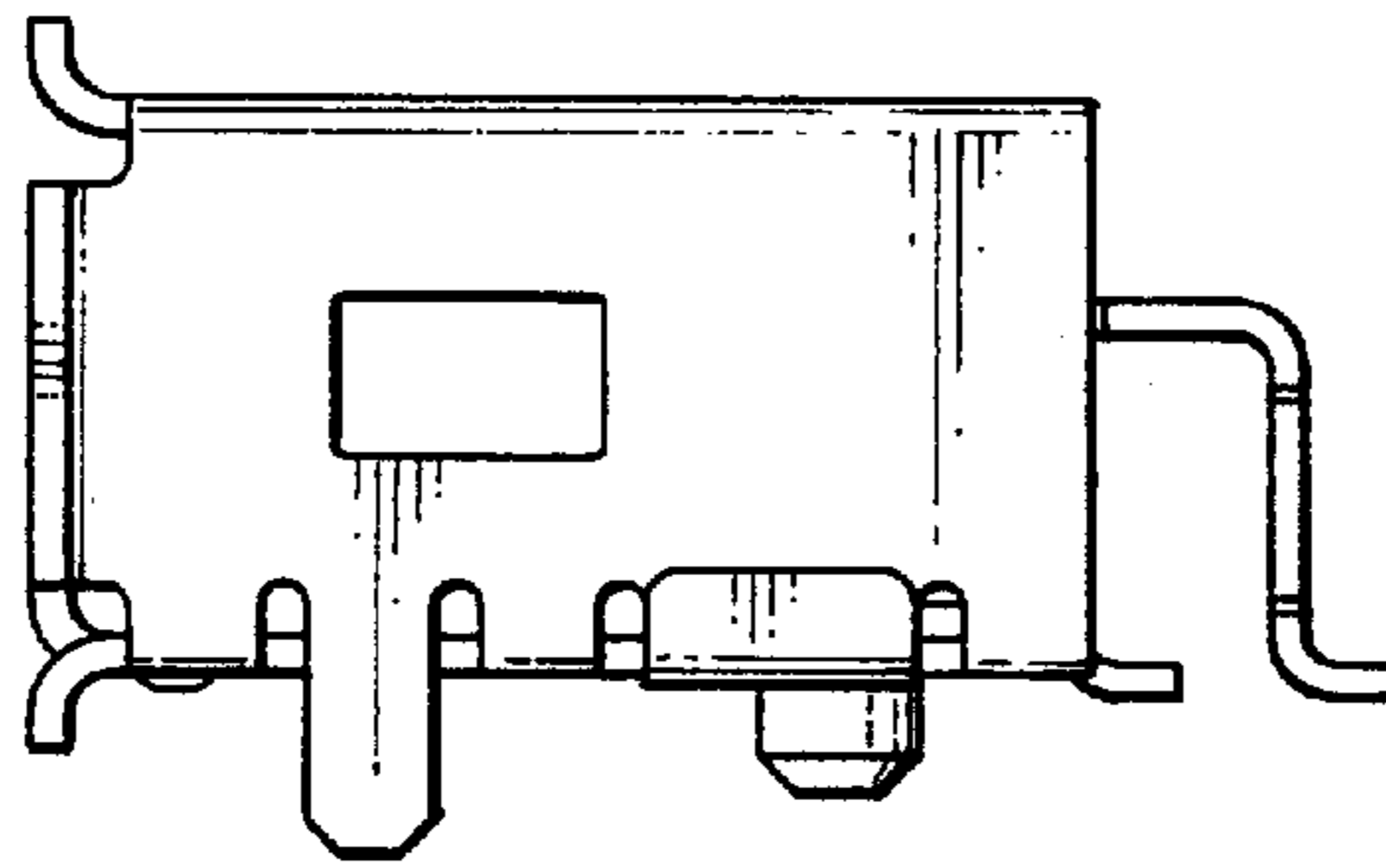


FIG. 6

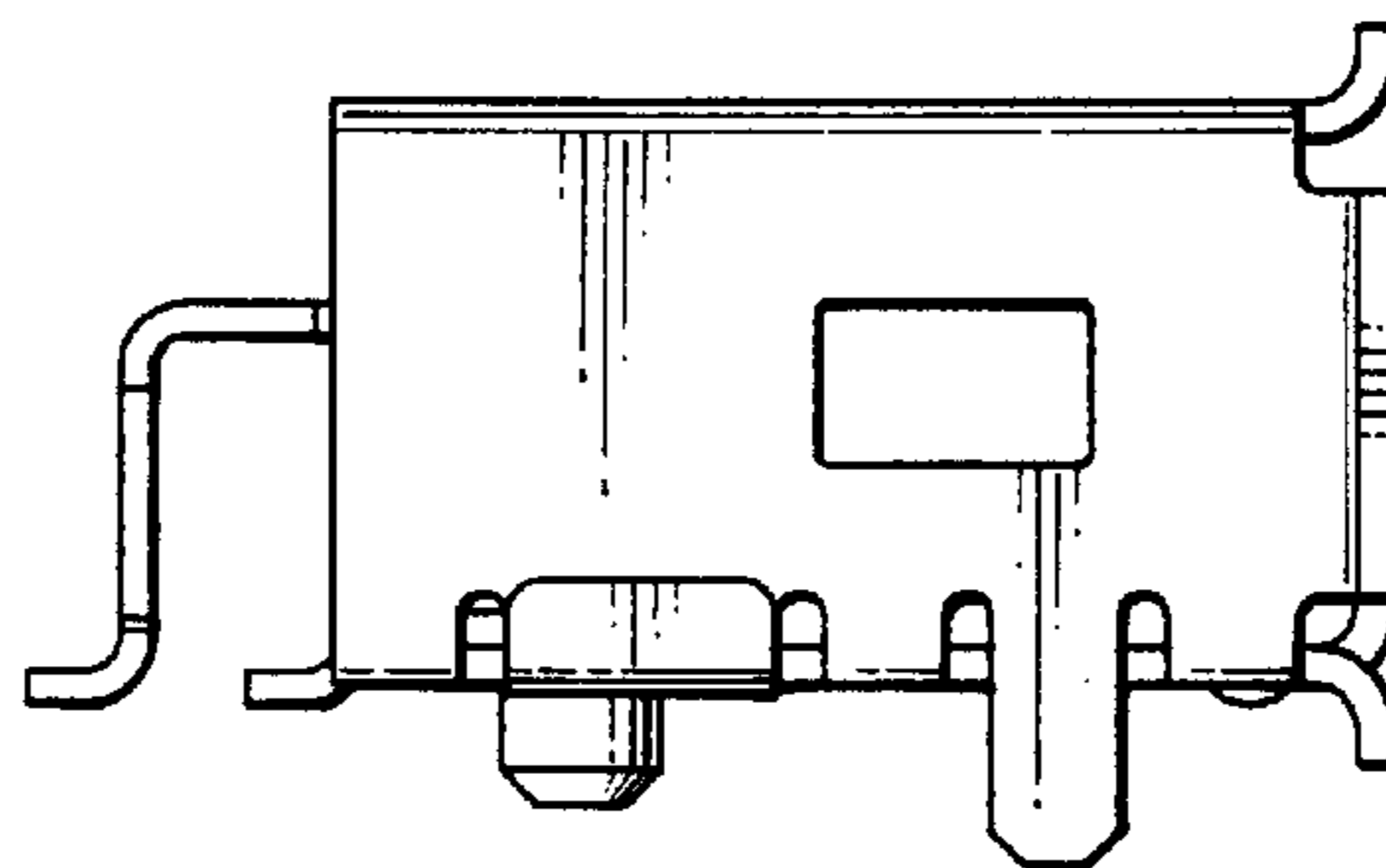


FIG. 7