



US00D488444S

(12) **United States Design Patent**
Motojima

(10) **Patent No.:** **US D488,444 S**

(45) **Date of Patent:** **** Apr. 13, 2004**

(54) **ELECTRICAL CONNECTOR**

6,568,960 B2 * 5/2003 Bricaud et al. 439/630
6,607,404 B1 * 8/2003 Ito et al. 439/630

(75) Inventor: **Joe Motojima, Akishima (JP)**

* cited by examiner

(73) Assignee: **Japan Aviation Electronics Industry, Limited, Tokyo (JP)**

Primary Examiner—Philip S. Hyder

Assistant Examiner—Selina Sikder

(**) Term: **14 Years**

(74) *Attorney, Agent, or Firm*—Michael Best & Friedrich LLP

(21) Appl. No.: **29/150,415**

(57) **CLAIM**

(22) Filed: **Oct. 19, 2001**

The ornamental design for an electrical connector, as shown and described.

(30) **Foreign Application Priority Data**

Apr. 24, 2001 (JP) 2001-015911

DESCRIPTION

(51) **LOC (7) Cl.** **13-03**

(52) **U.S. Cl.** **D13/147**

(58) **Field of Search** D13/133, 146,
D13/147; D14/256; 361/727, 730, 737,
752, 816, 829; 379/433.07, 433.09; 439/282,
350, 353, 354, 355, 357, 595, 600, 607,
655, 682, 76.1, 188, 326, 630; 455/343.1,
573, 406, 411, 575, 575.1

FIG. 1 is a front elevational view of an electrical connector;

FIG. 2 is a rear elevational view thereof;

FIG. 3 is a top plan view thereof;

FIG. 4 is a right side elevational view thereof;

FIG. 5 is a left side elevational view thereof;

FIG. 6 is a bottom plan view thereof;

FIG. 7 is a cross-sectional view thereof along the line 7—7 of FIG. 3;

FIG. 8 is a cross-sectional view thereof along the line 8—8 of FIG. 3;

FIG. 9 is a cross-sectional view thereof along the line 9—9 of FIG. 3; and,

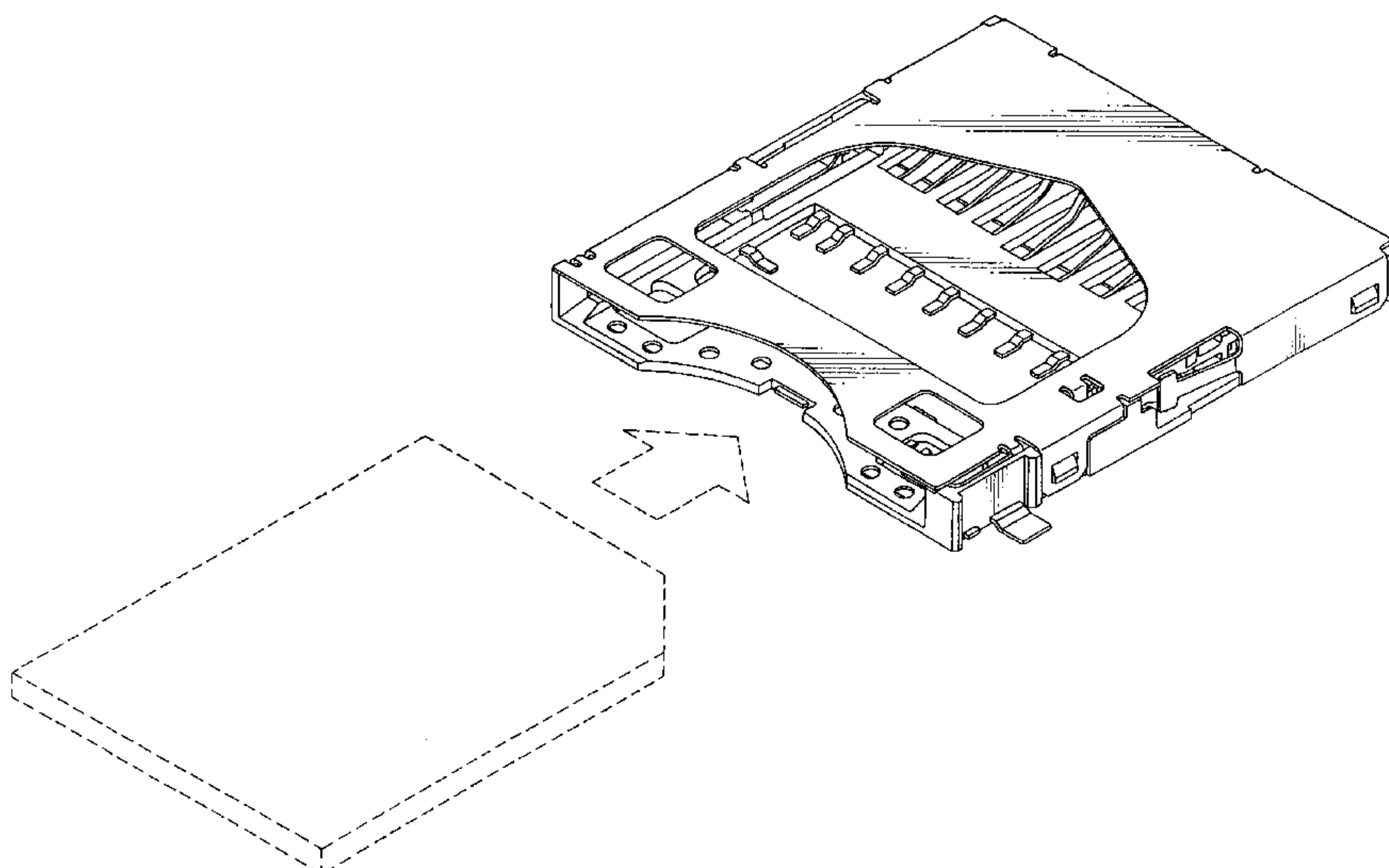
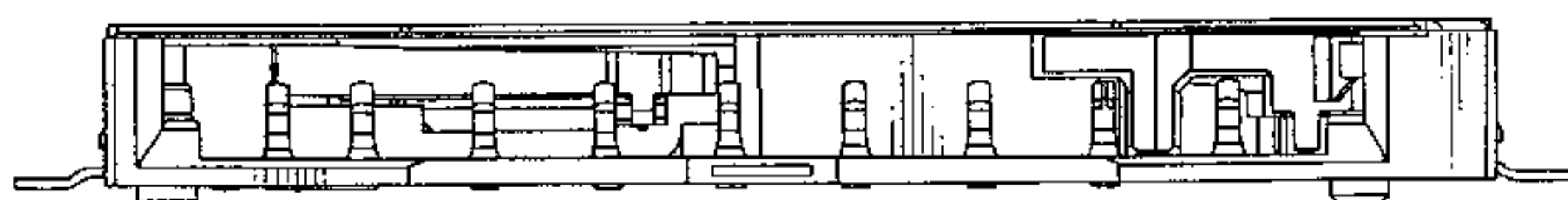
FIG. 10 is a perspective view illustrating the front and right side thereof, for illustrating a state in use thereof wherein the broken line showing of a memory card is for illustrative purpose only and forms no part of the claimed design.

(56) **References Cited**

U.S. PATENT DOCUMENTS

- 5,823,828 A * 10/1998 Bricaud et al. 439/630
- 6,004,155 A * 12/1999 Wu 439/489
- 6,409,546 B1 * 6/2002 Ito et al. 439/630
- 6,425,775 B1 * 7/2002 Chang et al. 439/188
- 6,482,041 B1 * 11/2002 Yu-Feng 439/630
- 6,544,074 B2 * 4/2003 Bricaud et al. 439/630
- 6,547,601 B2 * 4/2003 Oguchi 439/630

1 Claim, 6 Drawing Sheets



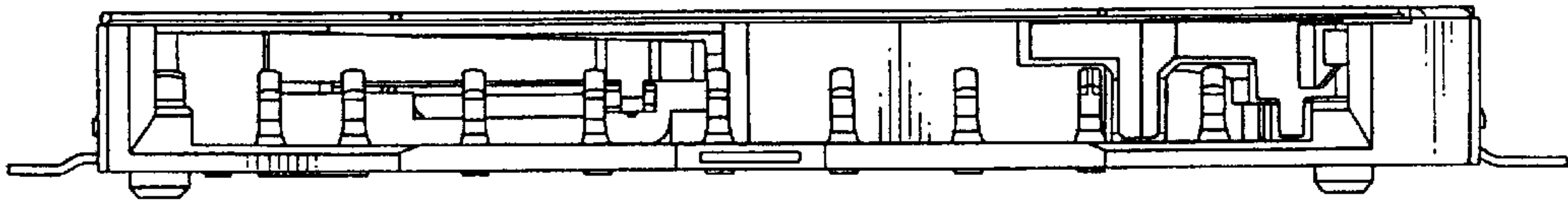


FIG. 1

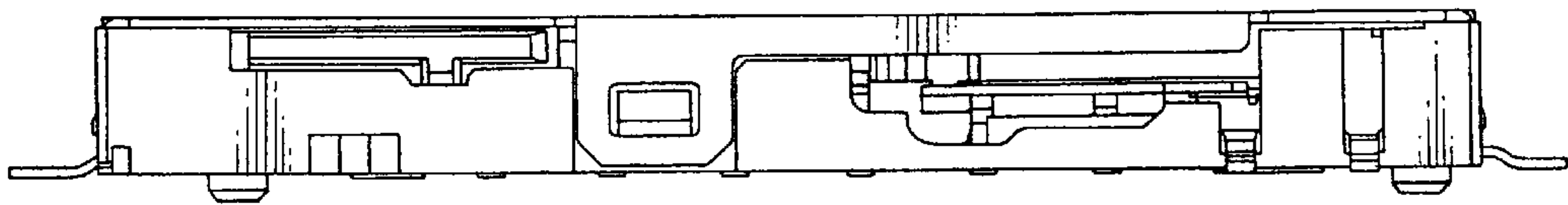


FIG. 2

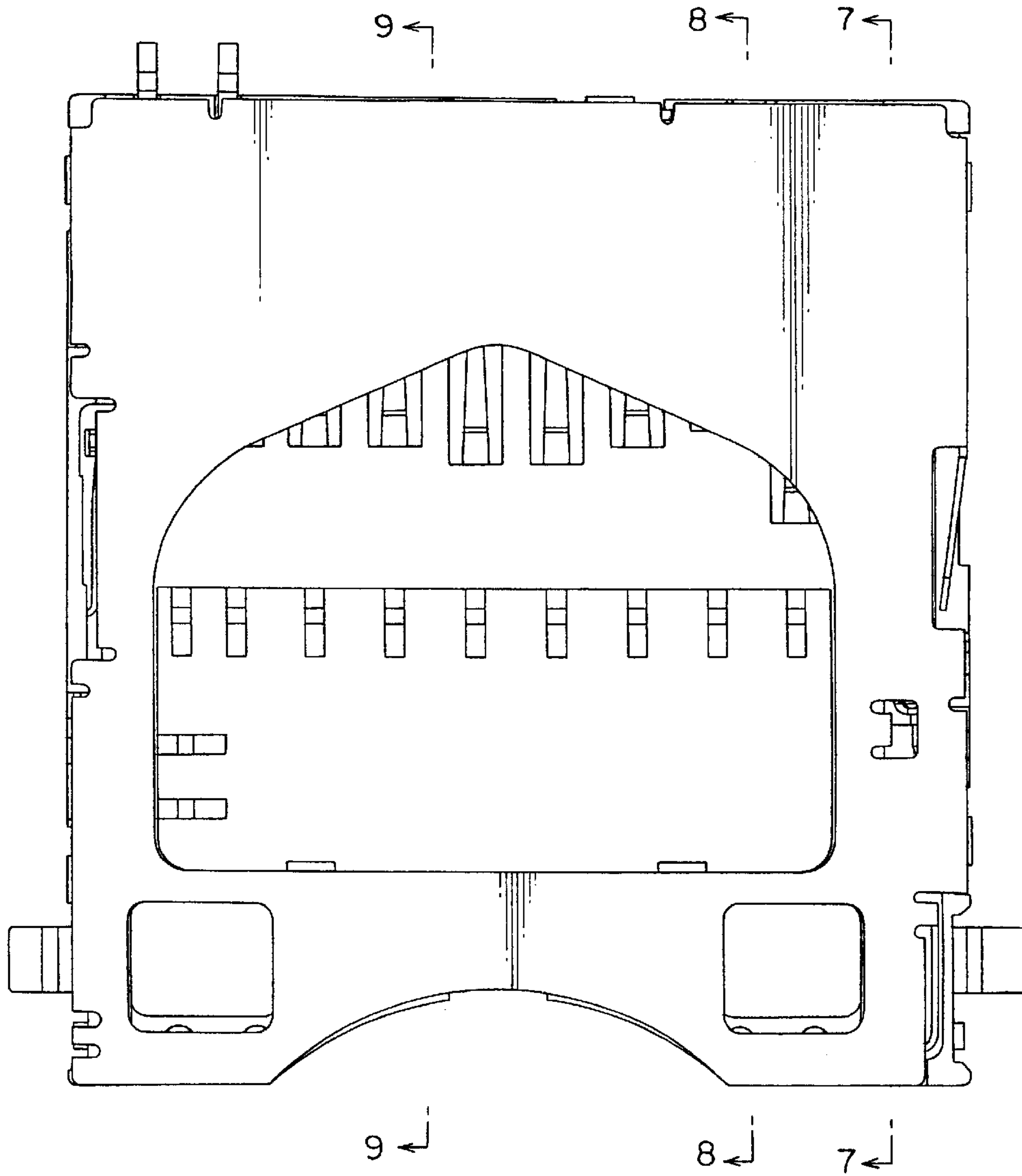


FIG. 3

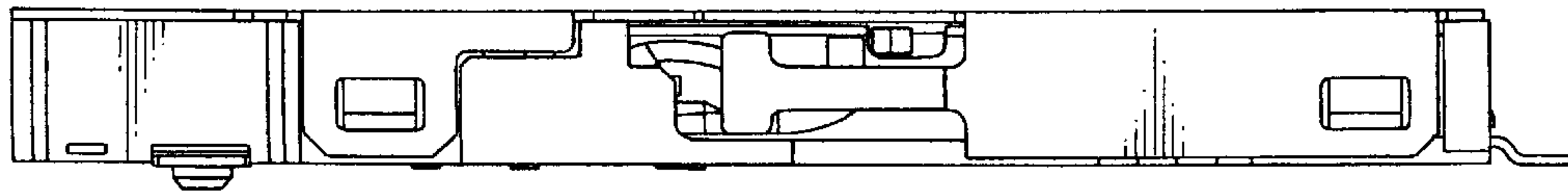


FIG. 4

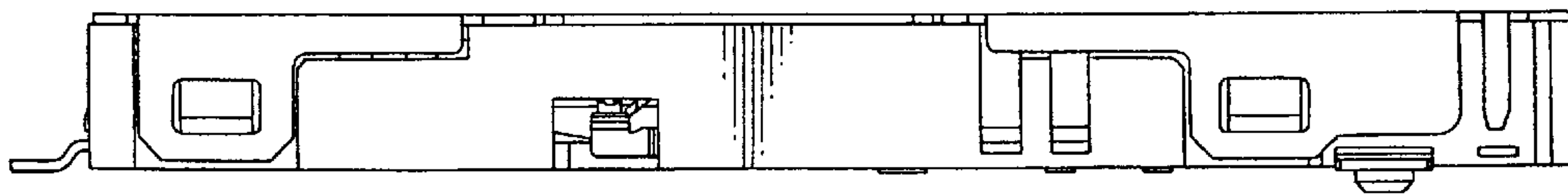


FIG. 5

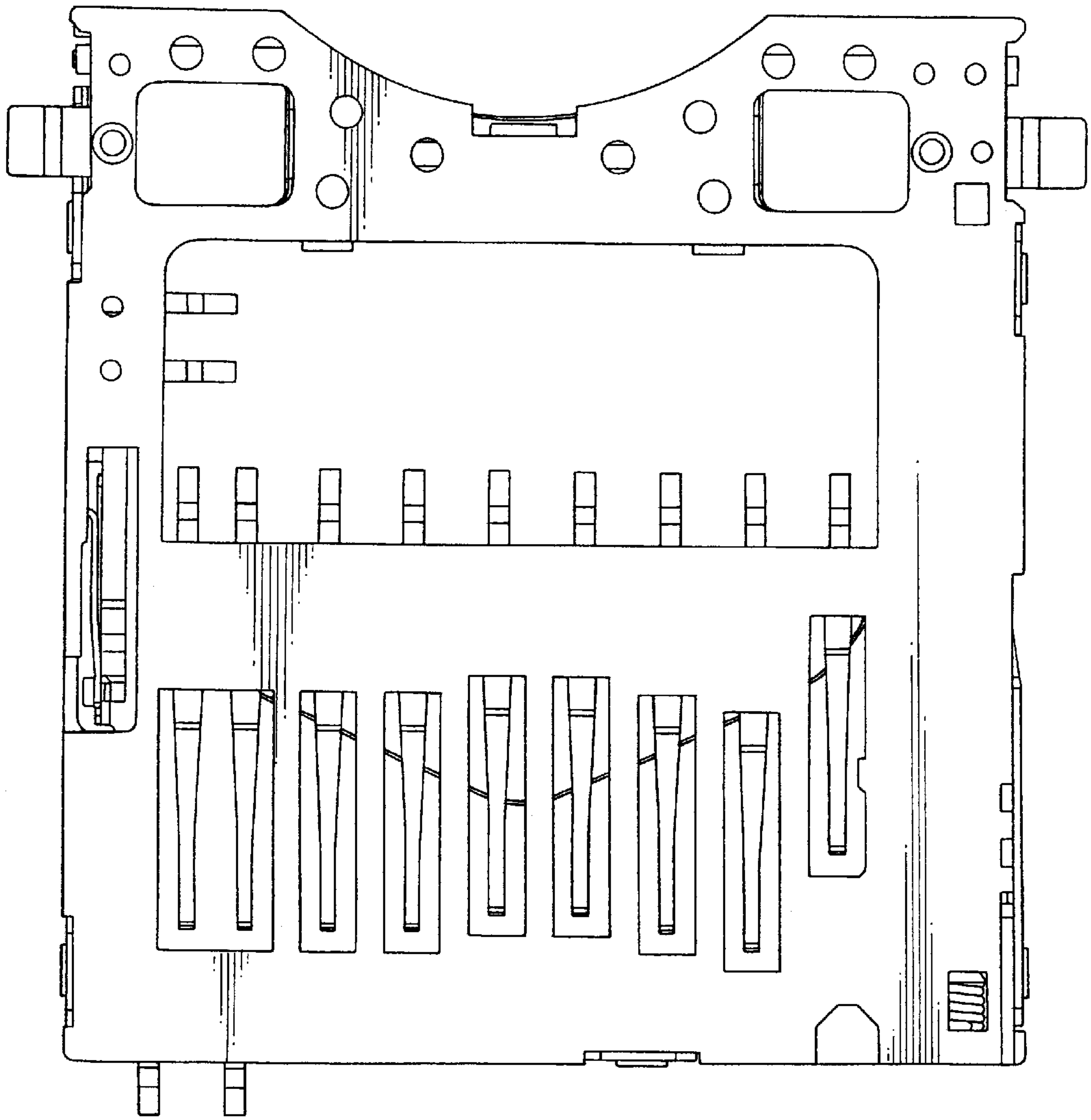


FIG. 6

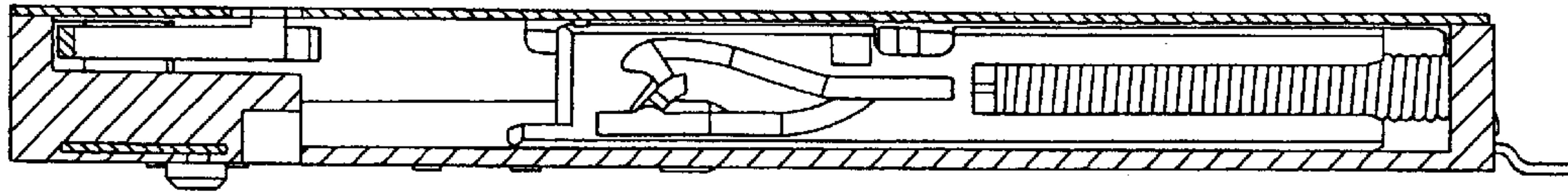


FIG. 7

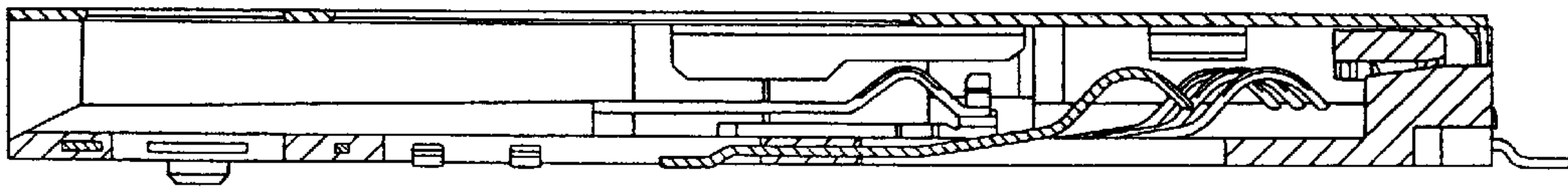


FIG. 8

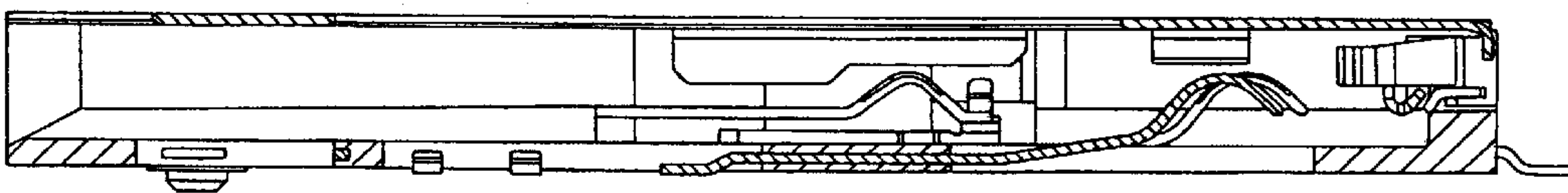


FIG. 9

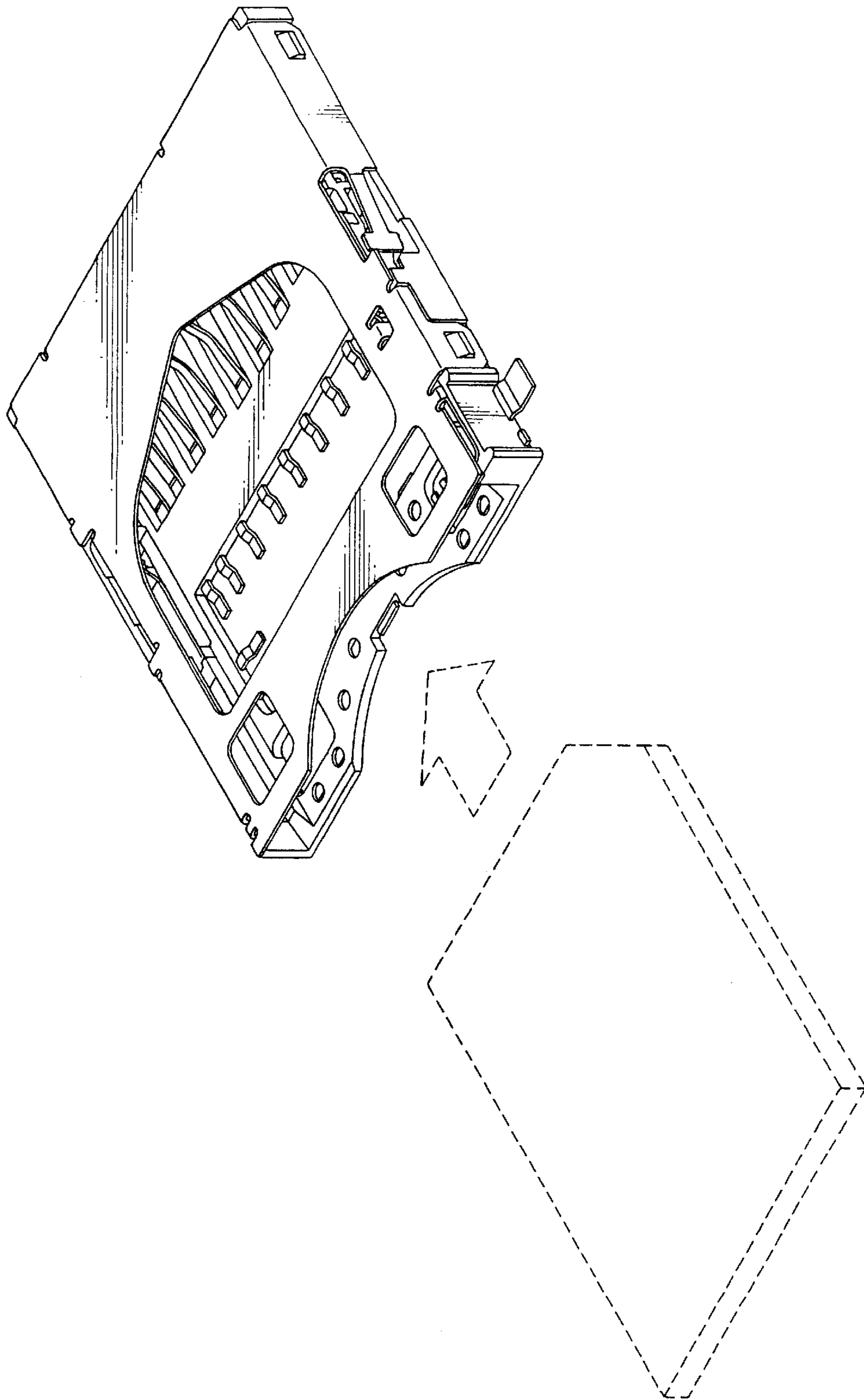


FIG. 10