



US00D488443S

(12) **United States Design Patent**
Bailey

(10) **Patent No.:** **US D488,443 S**

(45) **Date of Patent:** **** Apr. 13, 2004**

(54) **BATTERY CASE**

(75) **Inventor:** **Robert W. Bailey, Mossley (CA)**

(73) **Assignee:** **Masco Corporation of Indiana,**
Indianapolis, IN (US)

(**) **Term:** **14 Years**

(21) **Appl. No.:** **29/187,475**

(22) **Filed:** **Jul. 31, 2003**

Related U.S. Application Data

(62) Division of application No. 29/154,368, filed on Jan. 22, 2002, now Pat. No. Des. 483,722.

(51) **LOC (7) Cl.** **13-02**

(52) **U.S. Cl.** **D13/119**

(58) **Field of Search** **D13/119; 429/96-100,**
429/154, 176; 439/500

(56) **References Cited**

U.S. PATENT DOCUMENTS

4,009,429 A * 2/1977 Mullersman 320/110
4,091,187 A * 5/1978 Kaye 429/159

4,161,568 A * 7/1979 Lund 429/99
4,464,445 A * 8/1984 Matti 429/99
5,061,579 A * 10/1991 Ishimoto 429/96
5,537,022 A * 7/1996 Huang 320/107
5,607,322 A * 3/1997 Schaub 439/500
6,042,417 A * 3/2000 Hensley et al. 439/500
6,186,824 B1 * 2/2001 Lee 439/500

* cited by examiner

Primary Examiner—Joel Sincavage

(74) *Attorney, Agent, or Firm*—Kwadjo Adusci-Poku;
Lloyd D. Doigan

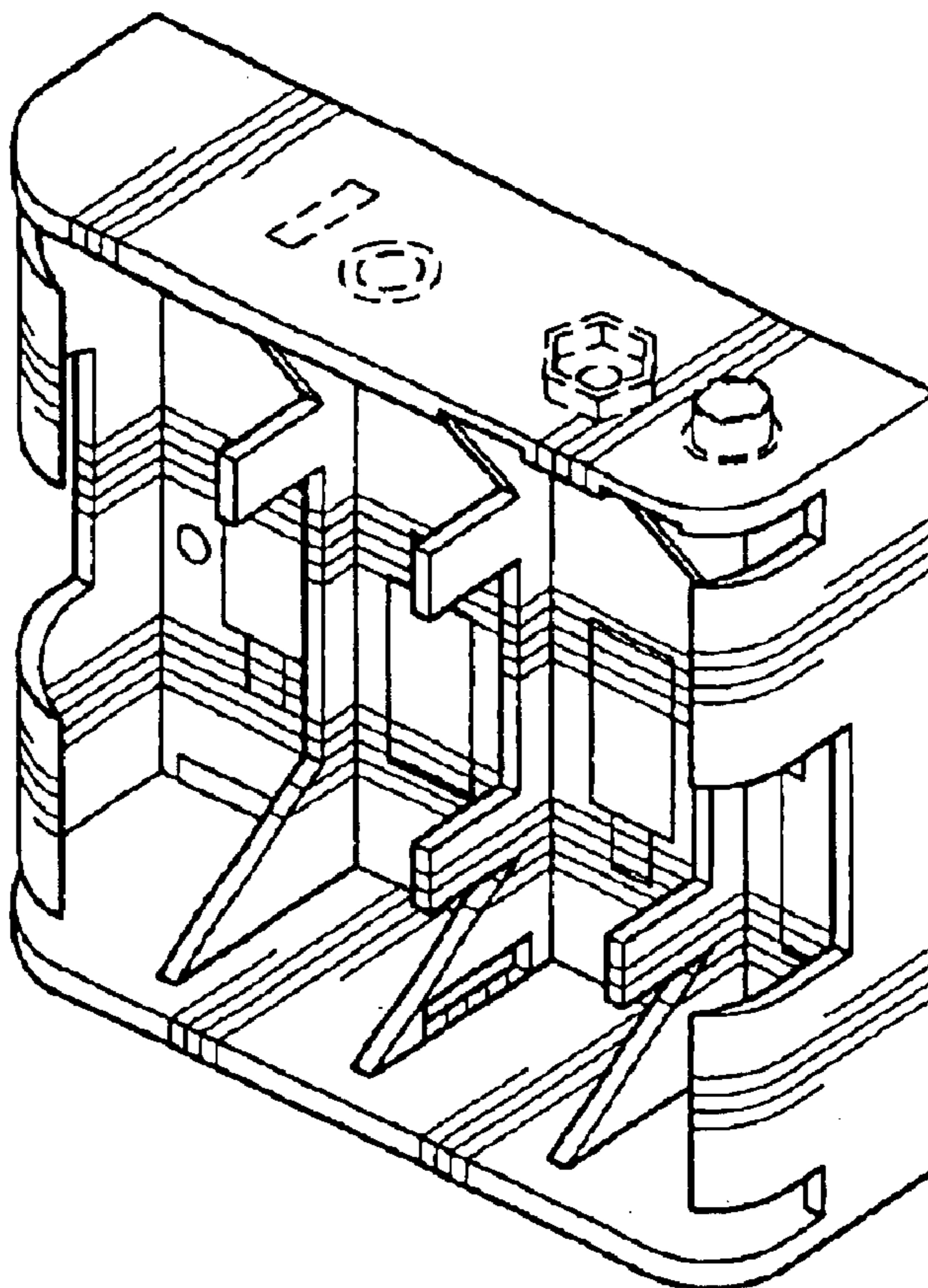
(57) **CLAIM**

The ornamental design for a battery case, as shown and described.

DESCRIPTION

FIG. 1 is a front elevational view of the instant invention;
FIG. 2 is a top plan view thereof;
FIG. 3 is a bottom plan view thereof;
FIG. 4 is a front elevational view thereof;
FIG. 5 is a rear elevational view thereof;
FIG. 6 is a left side elevational view thereof; and,
FIG. 7 is a right side elevational view thereof.

1 Claim, 1 Drawing Sheet



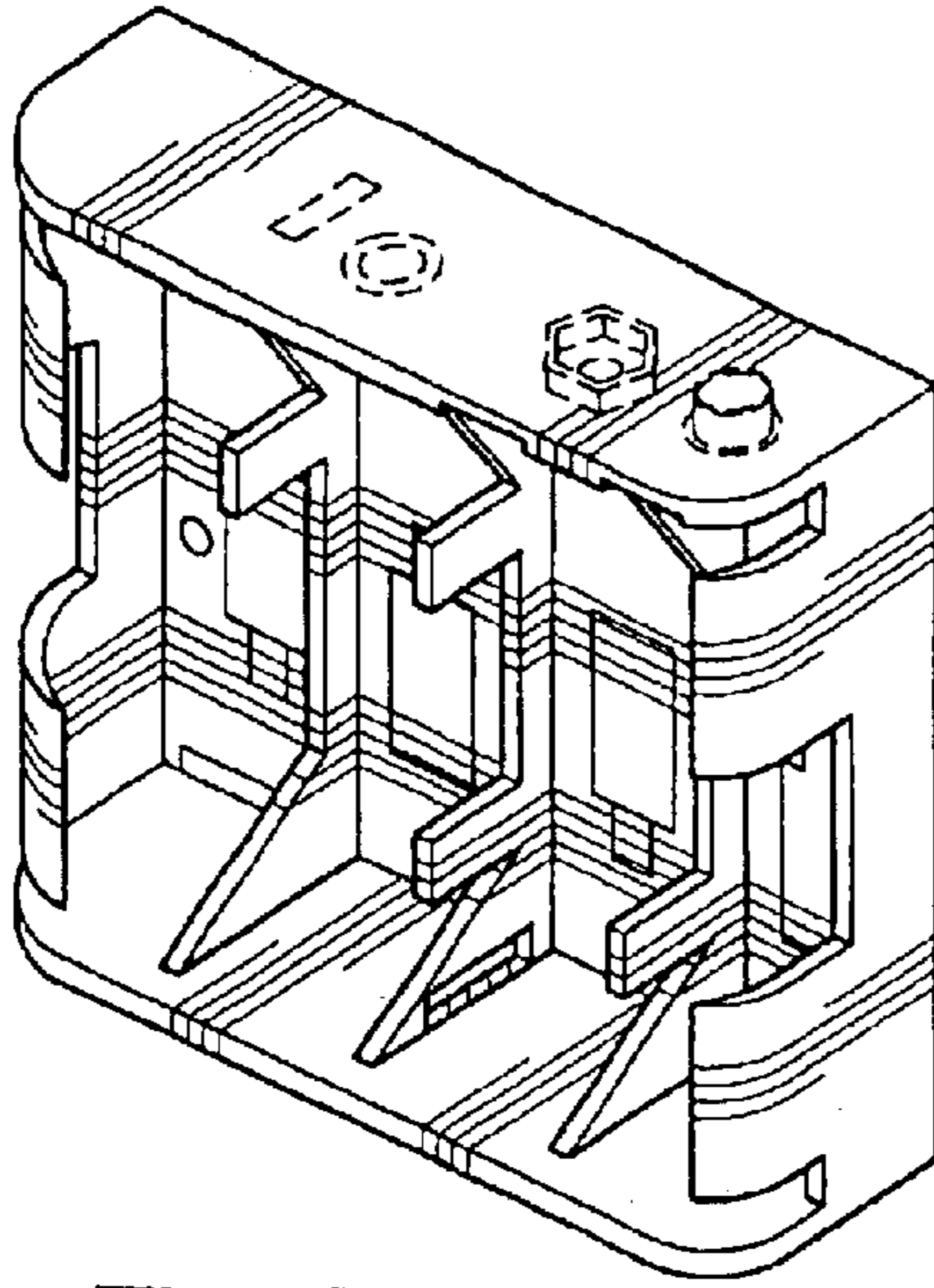


Fig-1



Fig-2

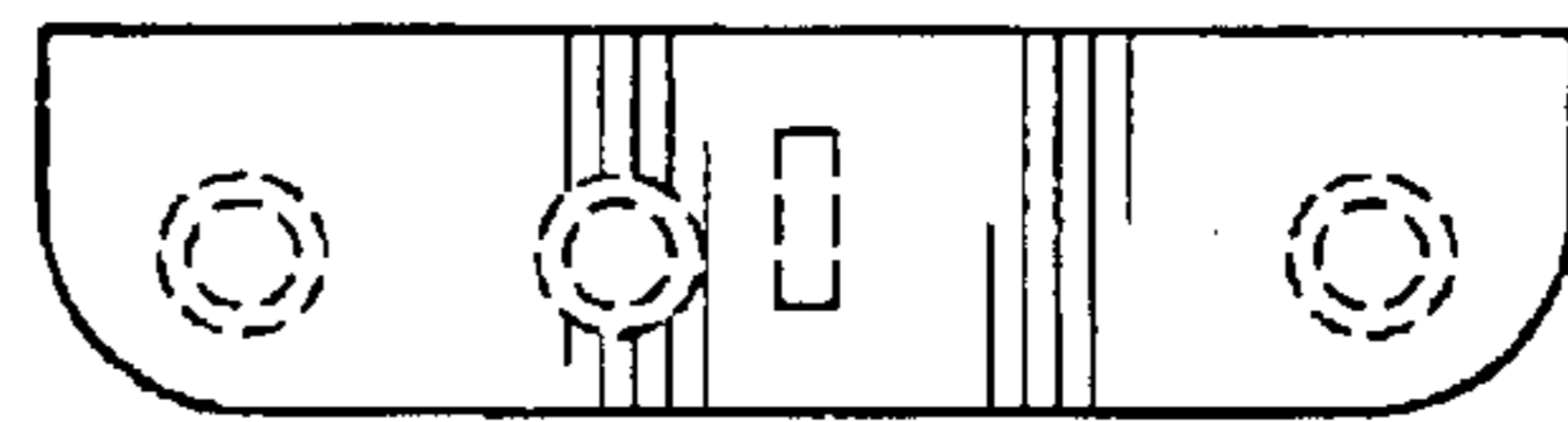


Fig-3

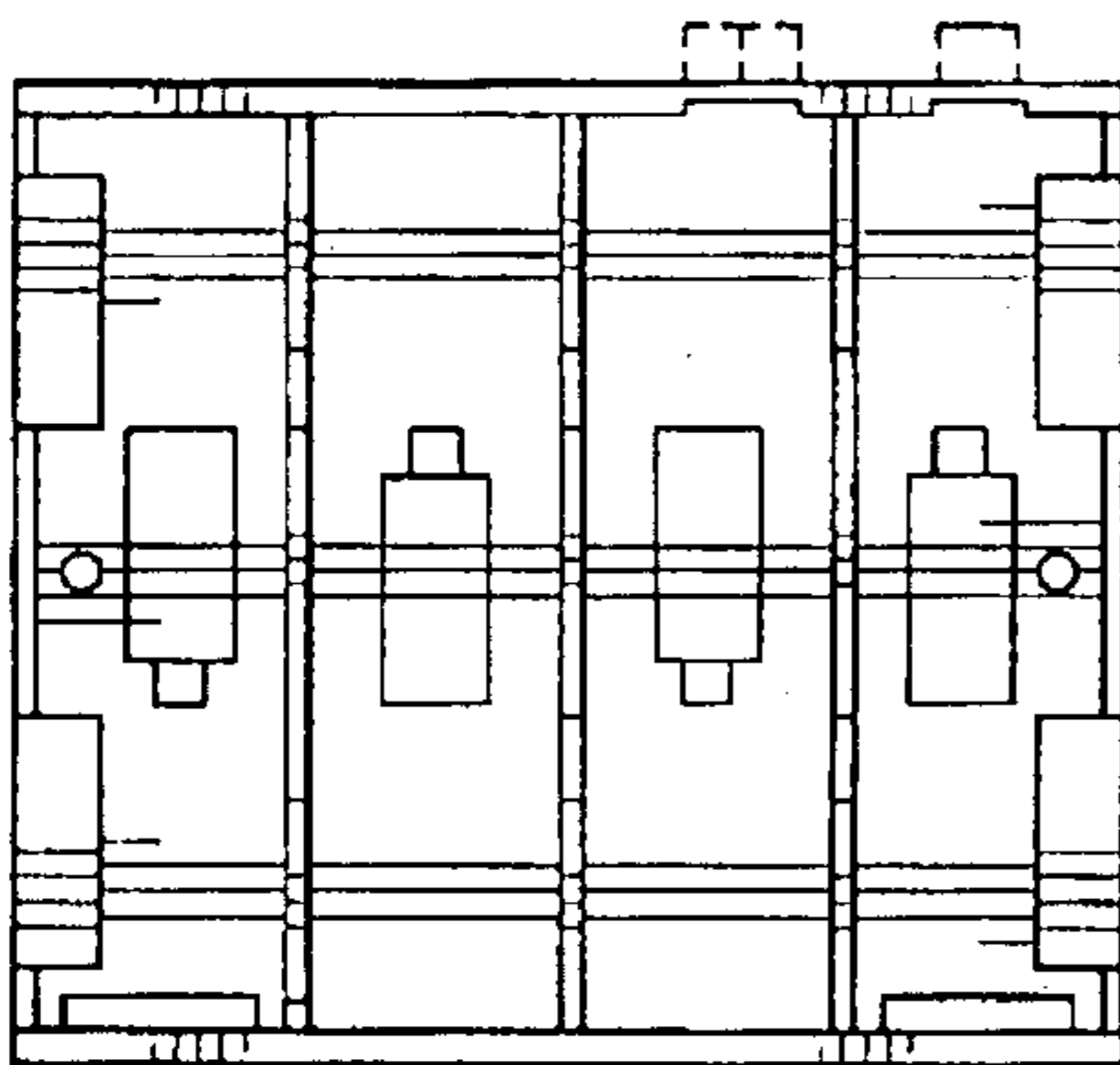


Fig-4

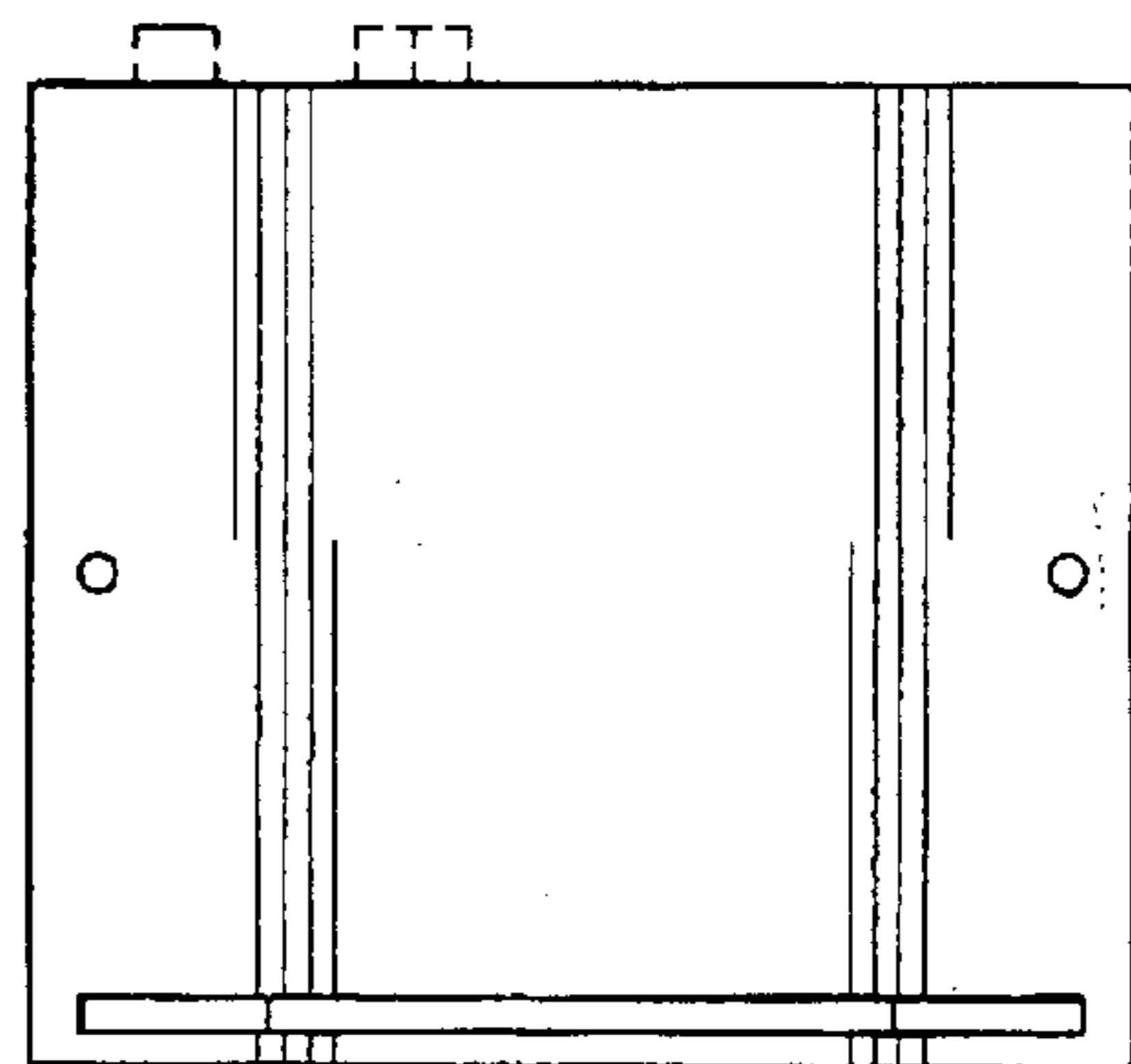


Fig-5

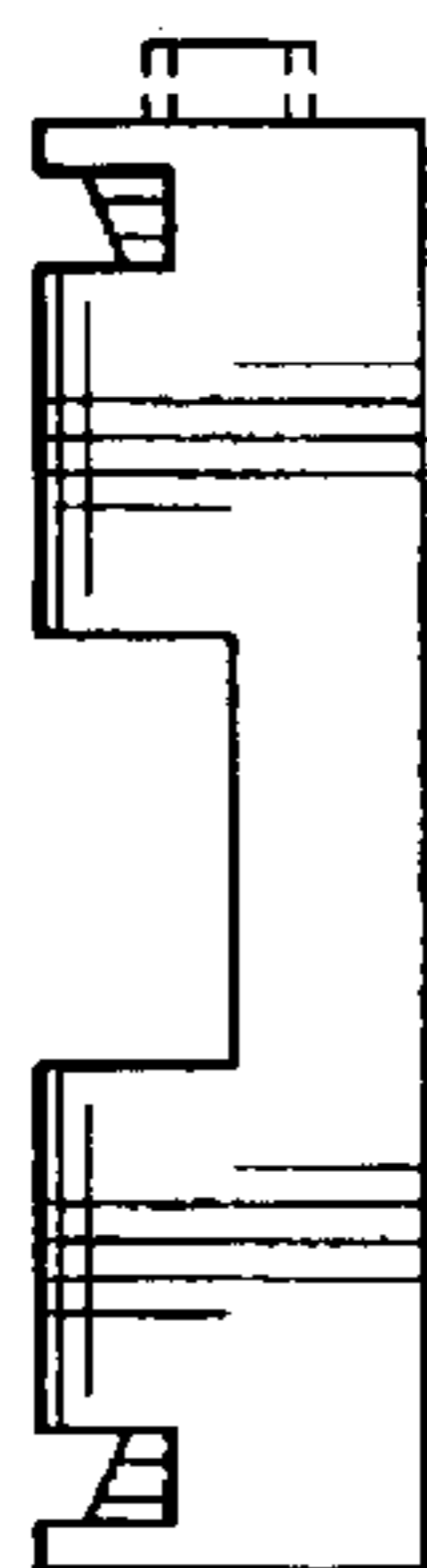


Fig-6

Fig-7

