



US00D488442S

(12) **United States Design Patent**
Fan

(10) **Patent No.:** **US D488,442 S**

(45) **Date of Patent:** **** Apr. 13, 2004**

(54) **PORTABLE GENERATOR**

(76) **Inventor:** **Guo Xiang Fan**, 4951 Commerce Dr.,
Baldwin Park, CA (US) 91706

(**) **Term:** **14 Years**

(21) **Appl. No.:** **29/180,184**

(22) **Filed:** **Apr. 21, 2003**

(51) **LOC (7) Cl.** **13-01**

(52) **U.S. Cl.** **D13/112**

(58) **Field of Search** D13/110, 112,
D13/113, 114, 115, 116, 117, 118; 307/64,
150; 361/679, 695, 725, 727, 728; 363/144

(56) **References Cited**

U.S. PATENT DOCUMENTS

D181,459 S	*	11/1957	Bullock	D13/116
D201,327 S	*	6/1965	Hori et al.	D15/1
D205,975 S	*	10/1966	Sato	D15/1
D294,015 S	*	2/1988	Gomi	D13/114
D414,461 S	*	9/1999	Wang	D13/116

D416,537 S	*	11/1999	Imai et al.	D13/116
D453,139 S	*	1/2002	Yang	D13/110
D475,726 S	*	6/2003	Suga et al.	D15/144

* cited by examiner

Primary Examiner—Philip S. Hyder

Assistant Examiner—Daniel Bui

(74) *Attorney, Agent, or Firm*—Raymond Y. Chan; David
and Raymond Patent Group

(57) **CLAIM**

The ornamental design for a portable generator, as shown.

DESCRIPTION

FIG. 1 is a perspective view of a portable generator, showing
my design;

FIG. 2 is a front elevation view thereof;

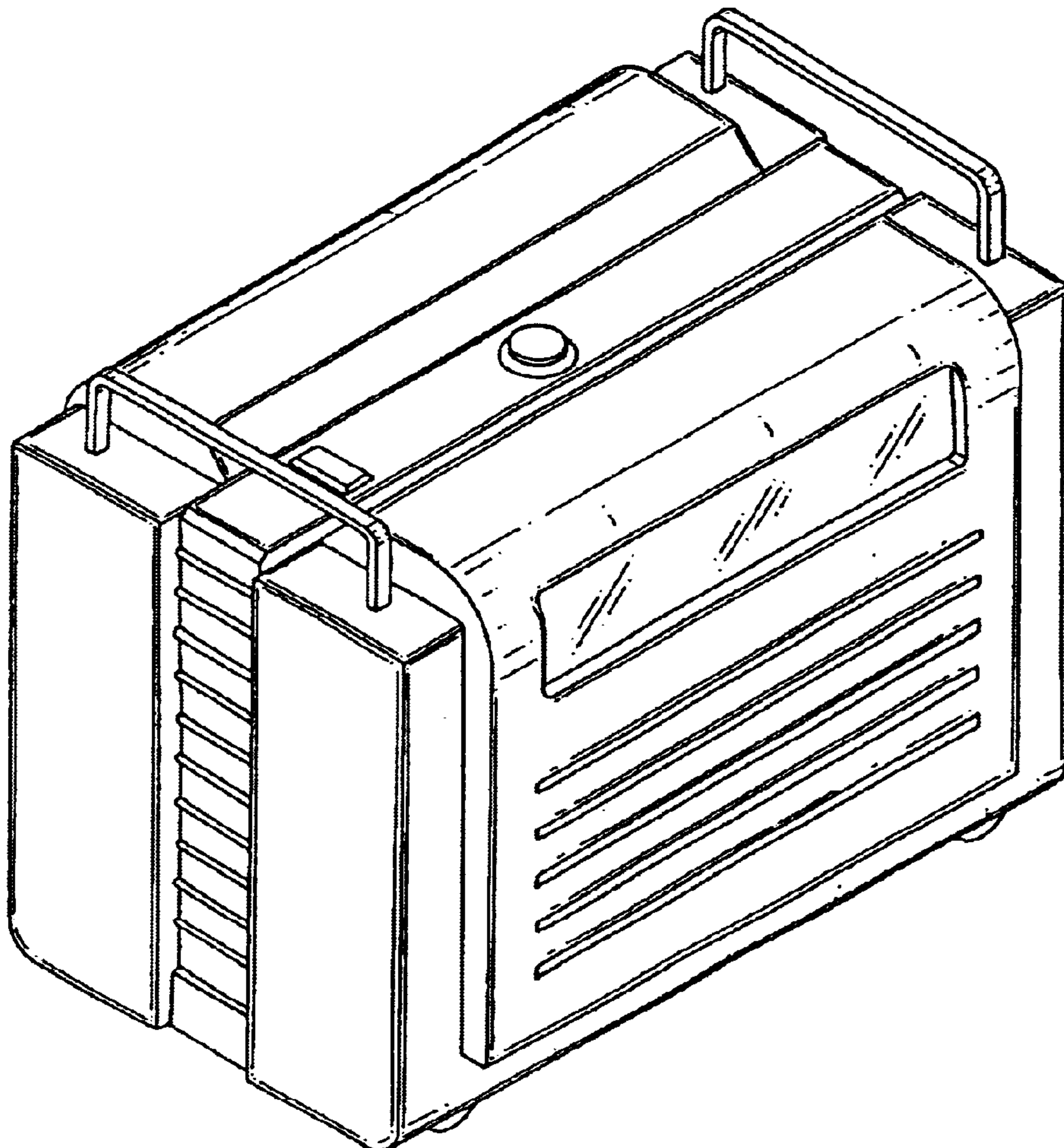
FIG. 3 is a rear elevation view thereof;

FIG. 4 is a left side elevation view thereof;

FIG. 5 is a right side elevation view thereof; and,

FIG. 6 is a top plan view thereof.

1 Claim, 6 Drawing Sheets



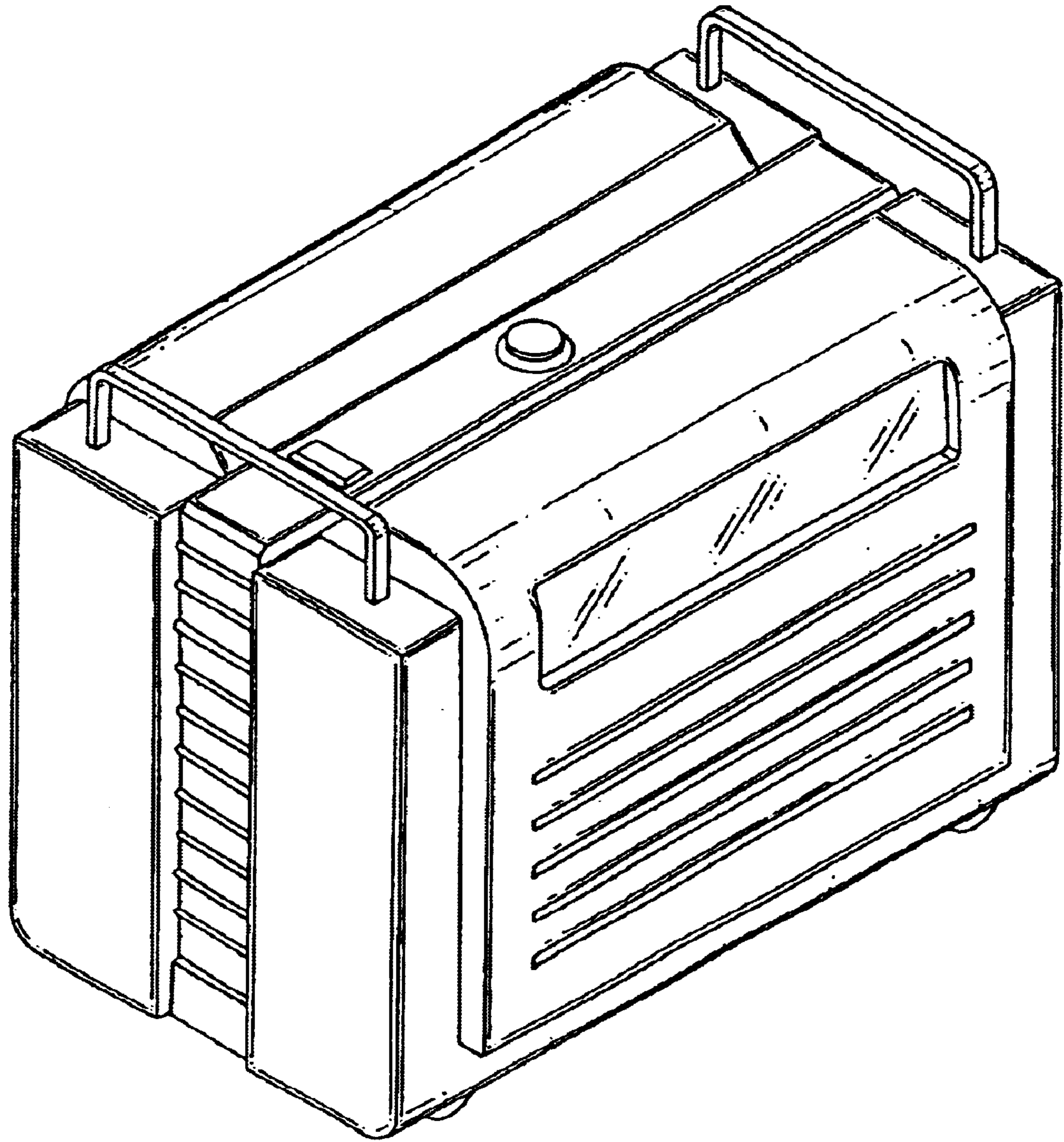


FIG. 1

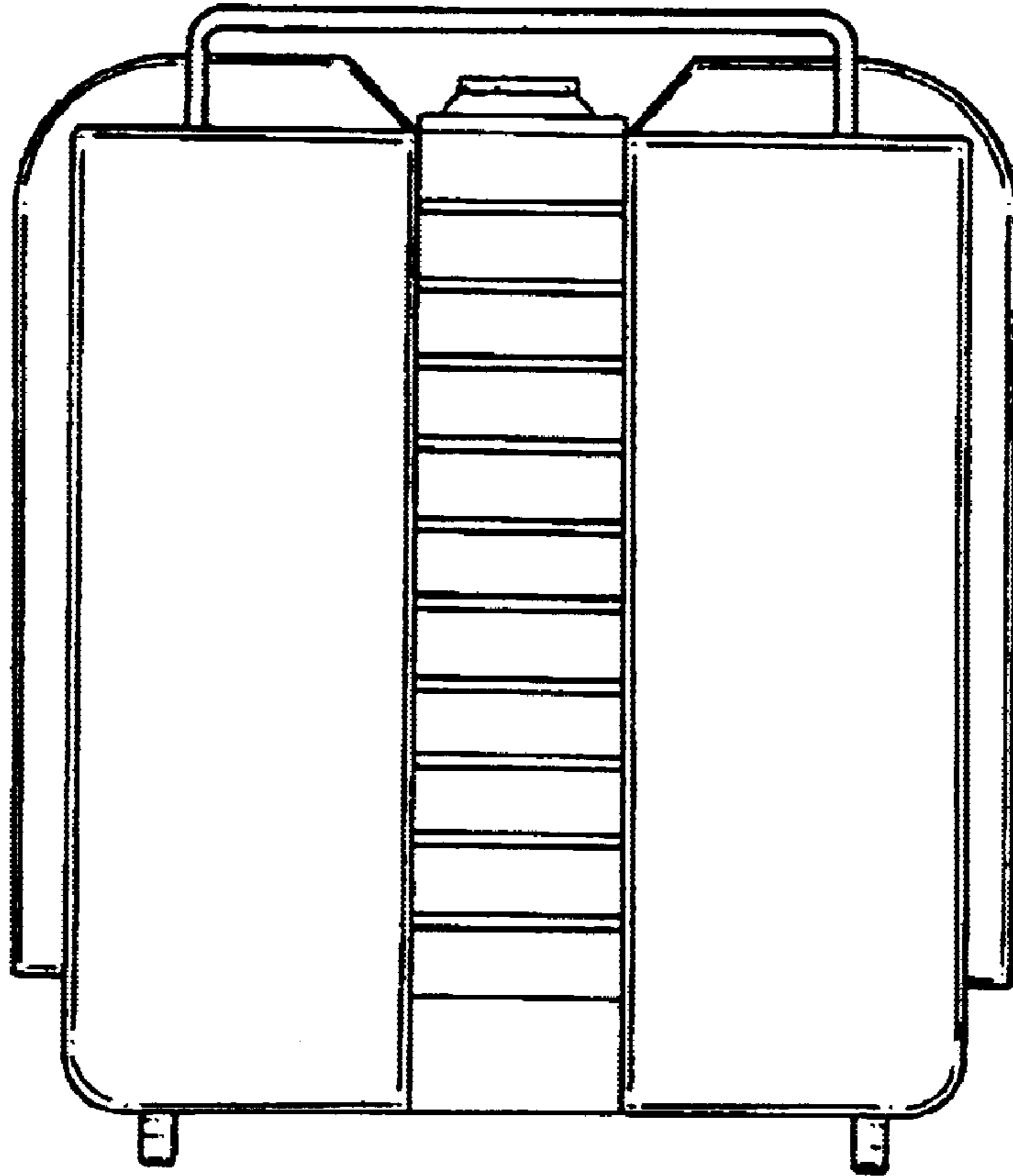


FIG. 2

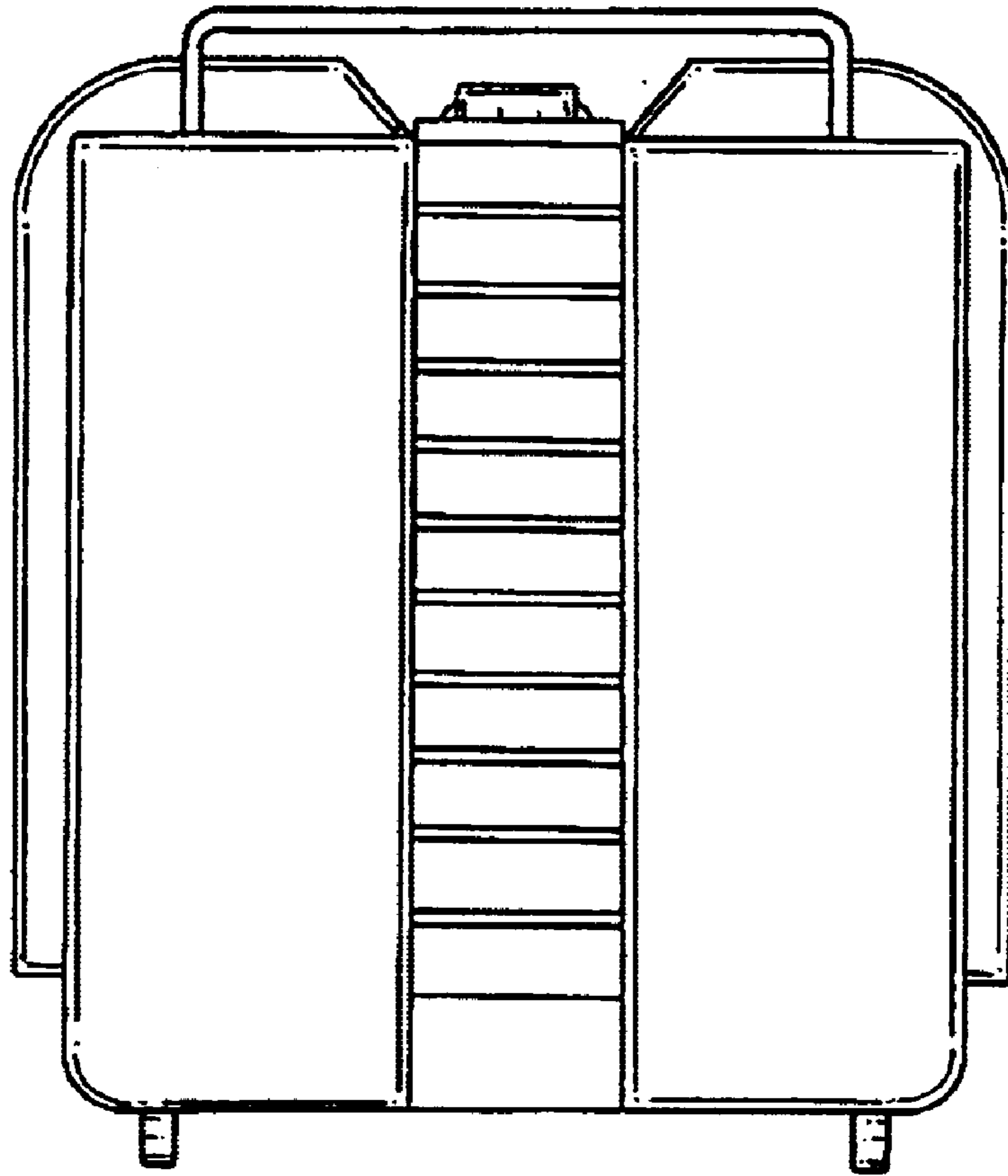


FIG. 3

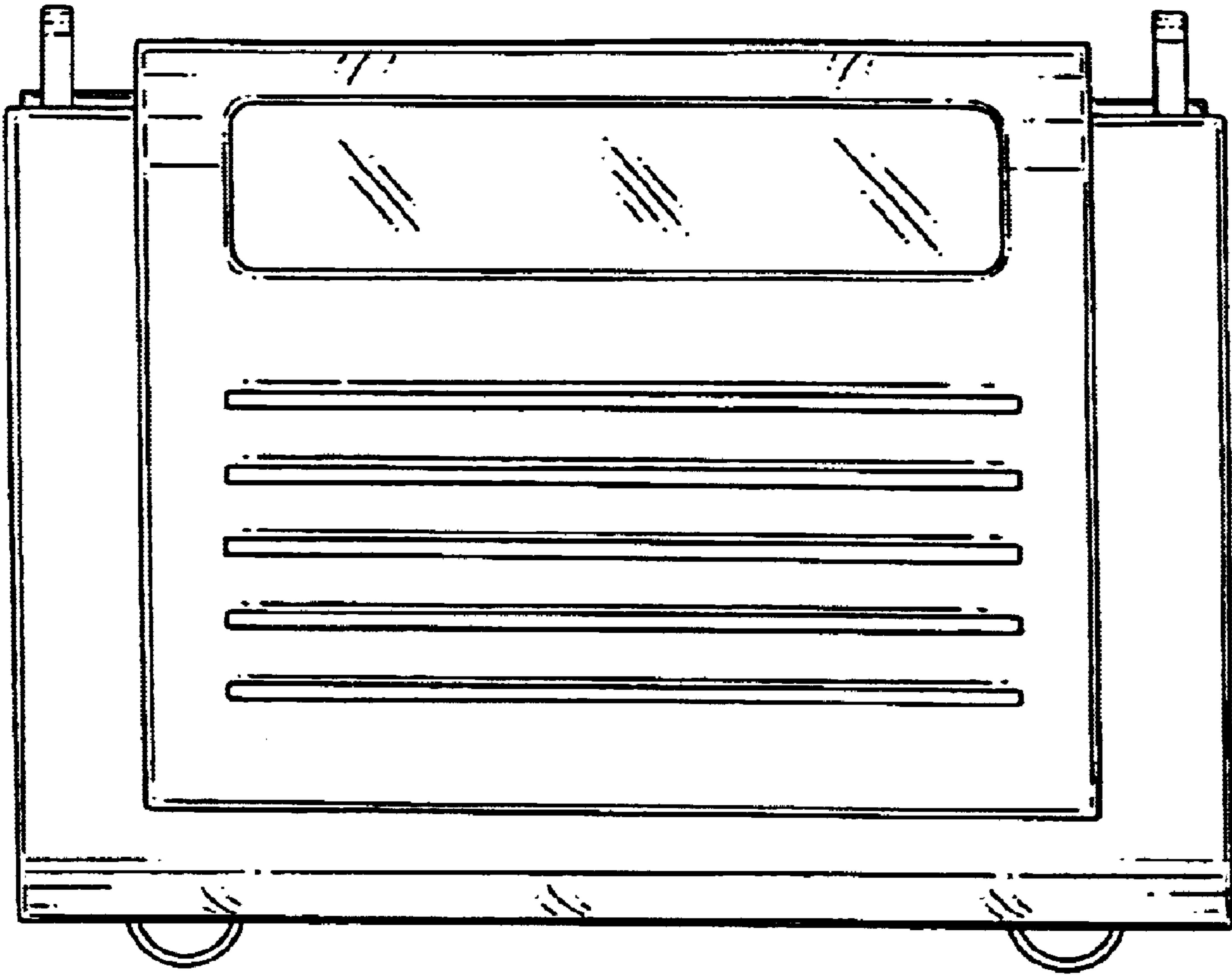


FIG. 4

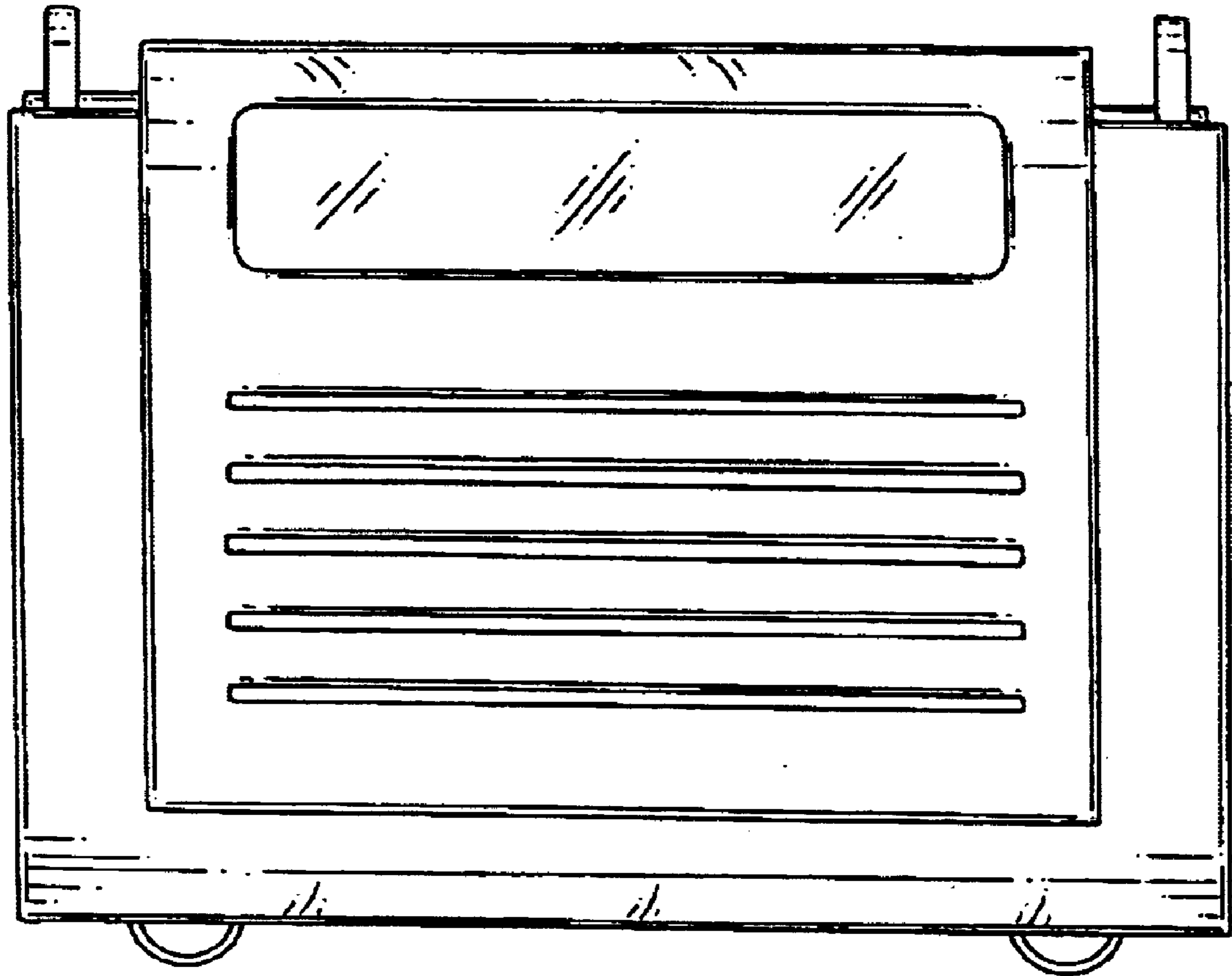


FIG. 5

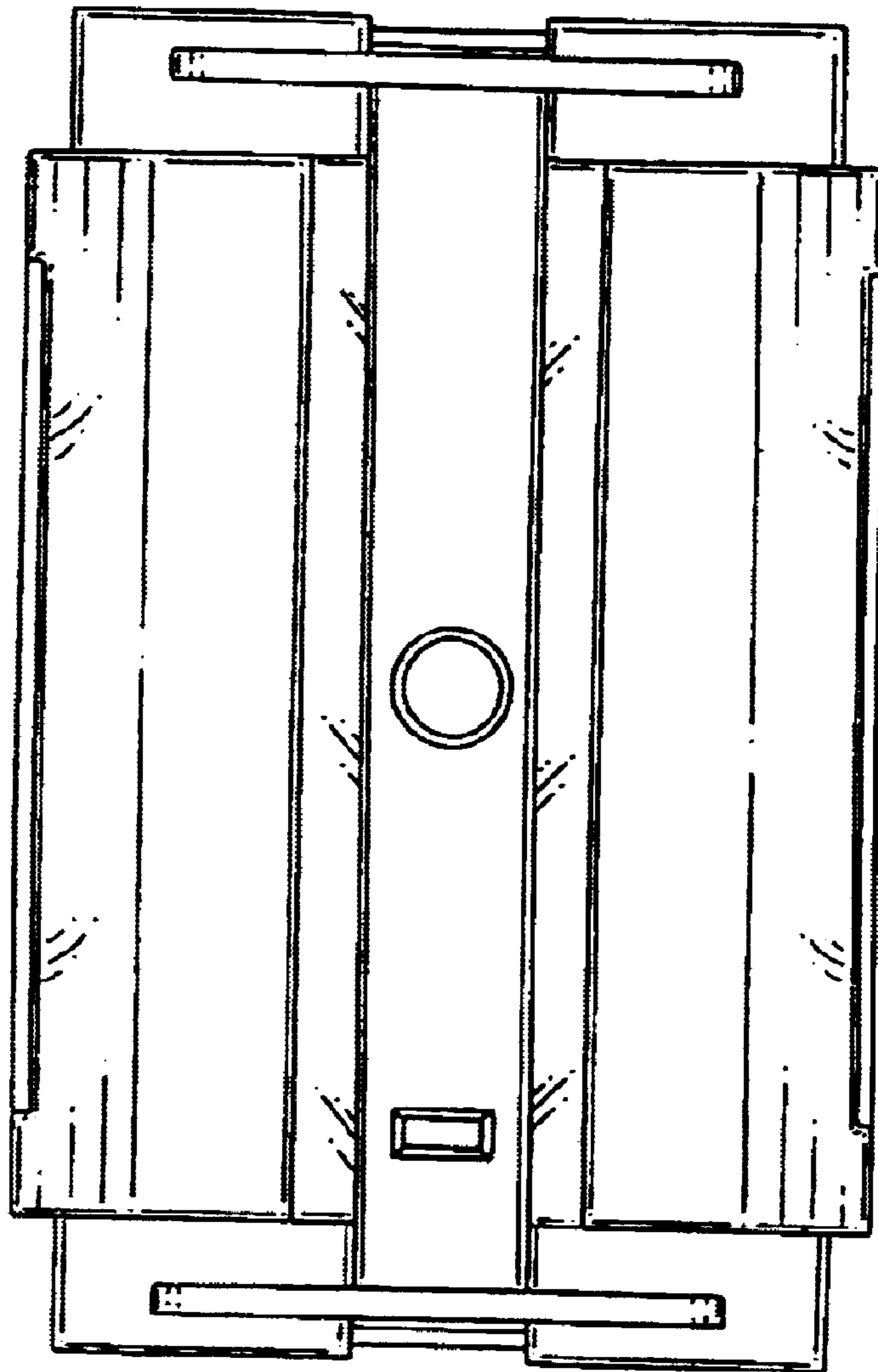


FIG. 6