



US00D488439S

(12) **United States Design Patent**
Orthey

(10) **Patent No.:** **US D488,439 S**

(45) **Date of Patent:** **** Apr. 13, 2004**

(54) **CHARGER UNIT**

(75) Inventor: **Markus Orthey**, Mainz (DE)

(73) Assignee: **Braun GmbH** (DE)

(**) Term: **14 Years**

(21) Appl. No.: **29/186,168**

(22) Filed: **Jul. 10, 2003**

(30) **Foreign Application Priority Data**

Jan. 10, 2003 (WO) DM/063 221

(51) **LOC (7) Cl.** **13-02**

(52) **U.S. Cl.** **D13/107; D13/108**

(58) **Field of Search** **D13/107, 108;**
D14/253; 320/107-115

(56) **References Cited**

U.S. PATENT DOCUMENTS

| | | | | | |
|------------|---|--------|---------------|-------|---------|
| D357,990 S | * | 5/1995 | Cheng et al. | | D26/38 |
| D394,423 S | * | 5/1998 | Nagele et al. | | D13/107 |
| D420,974 S | * | 2/2000 | Minagawa | | D13/108 |
| D446,184 S | * | 8/2001 | Parker | | D13/107 |
| D455,397 S | * | 4/2002 | Weiner et al. | | D13/108 |
| D456,350 S | * | 4/2002 | Mott et al. | | D13/108 |

* cited by examiner

Primary Examiner—Joel Sincavage

(74) *Attorney, Agent, or Firm*—Fish & Richardson PC

(57) **CLAIM**

The ornamental design for a charger unit, as shown and described.

DESCRIPTION

FIG. 1 is a perspective view of a charger unit from above, showing my design;

FIG. 2 is a front view of the appliance thereof;

FIG. 3 is a rear view of the appliance thereof

FIG. 4 is a top plan view of the appliance thereof;

FIG. 5 is a right side view of the appliance thereof;

FIG. 6 is a left side view of the appliance thereof,

FIG. 7 is bottom plan view of the appliance thereof,

FIG. 8 is a left side view of the appliance thereof with attachments; and,

FIG. 9 is a right side view of the appliance thereof with attachments.

The broken lines throughout the drawing figures are included for the purpose of illustrating environmental structure only and form no part of the claimed design.

1 Claim, 6 Drawing Sheets

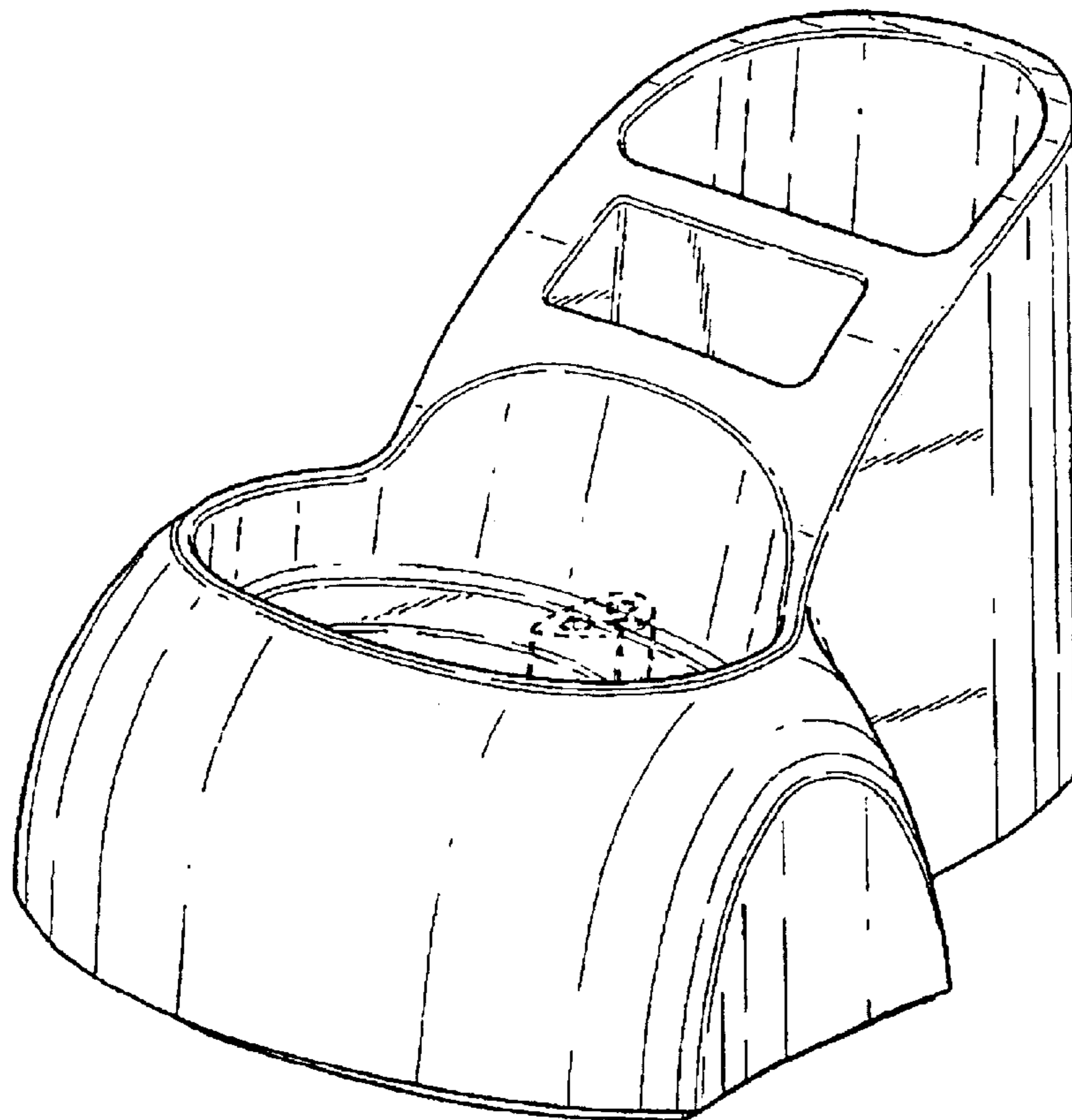


Fig. 1

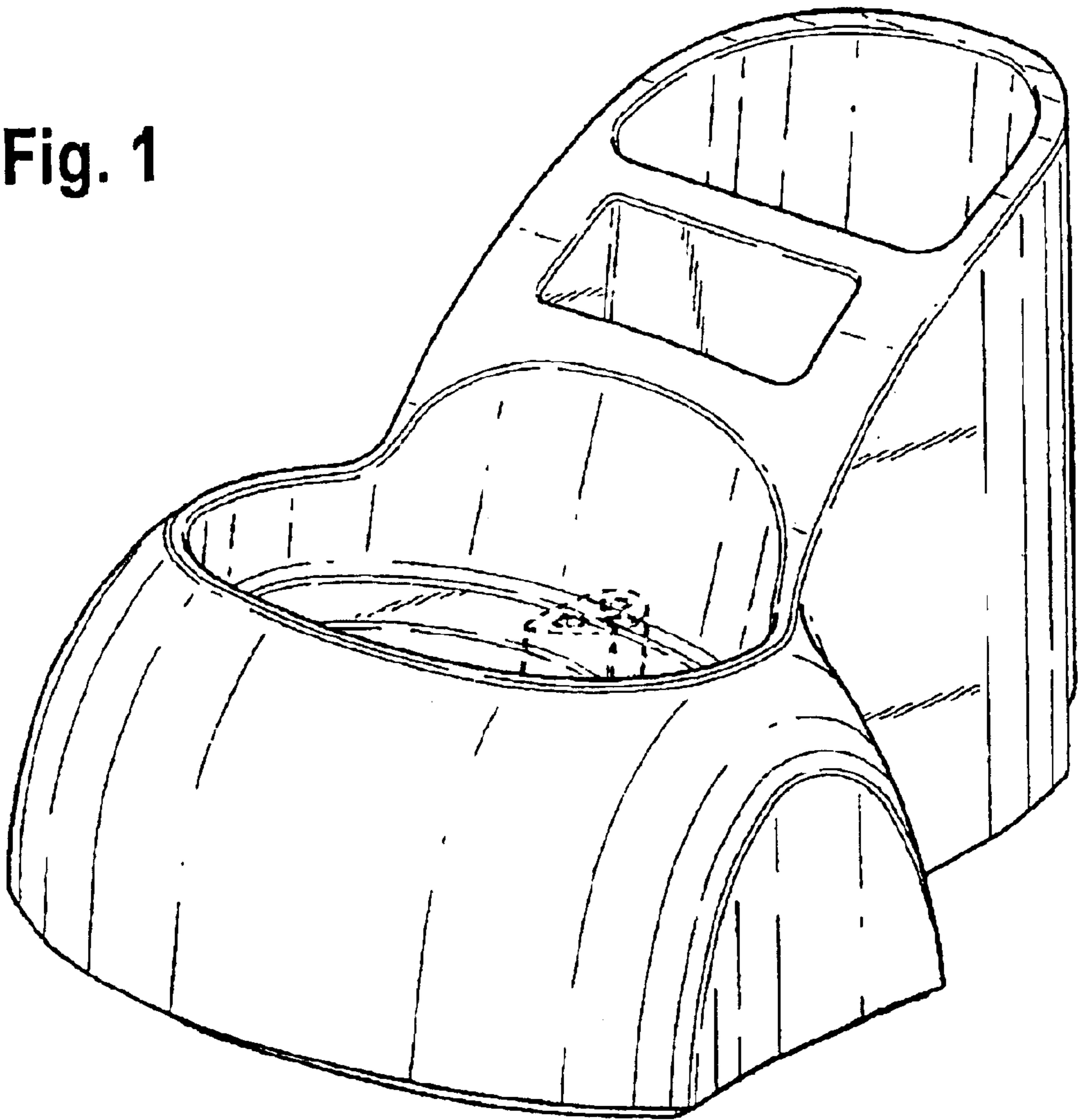


Fig. 2

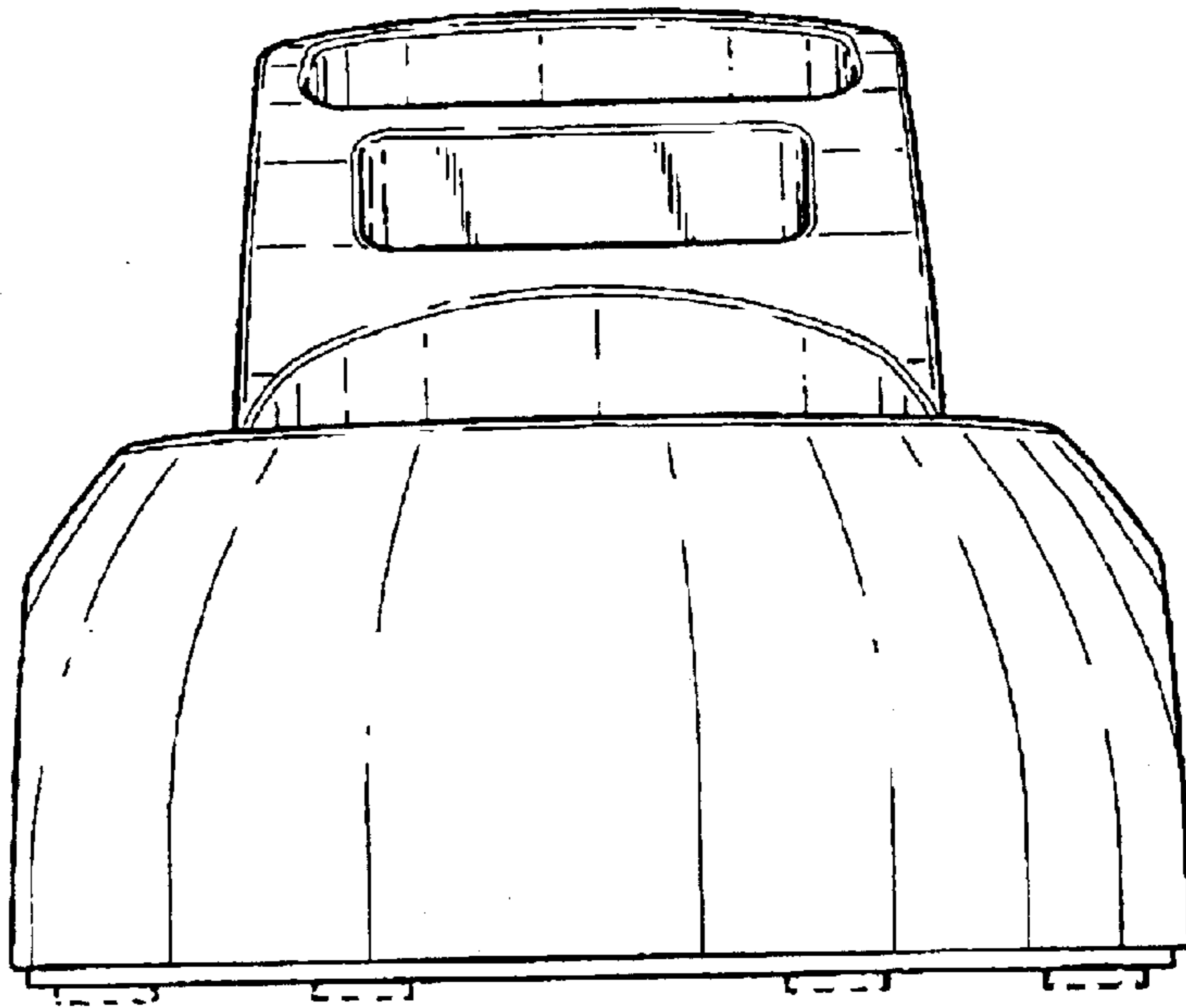


Fig. 3

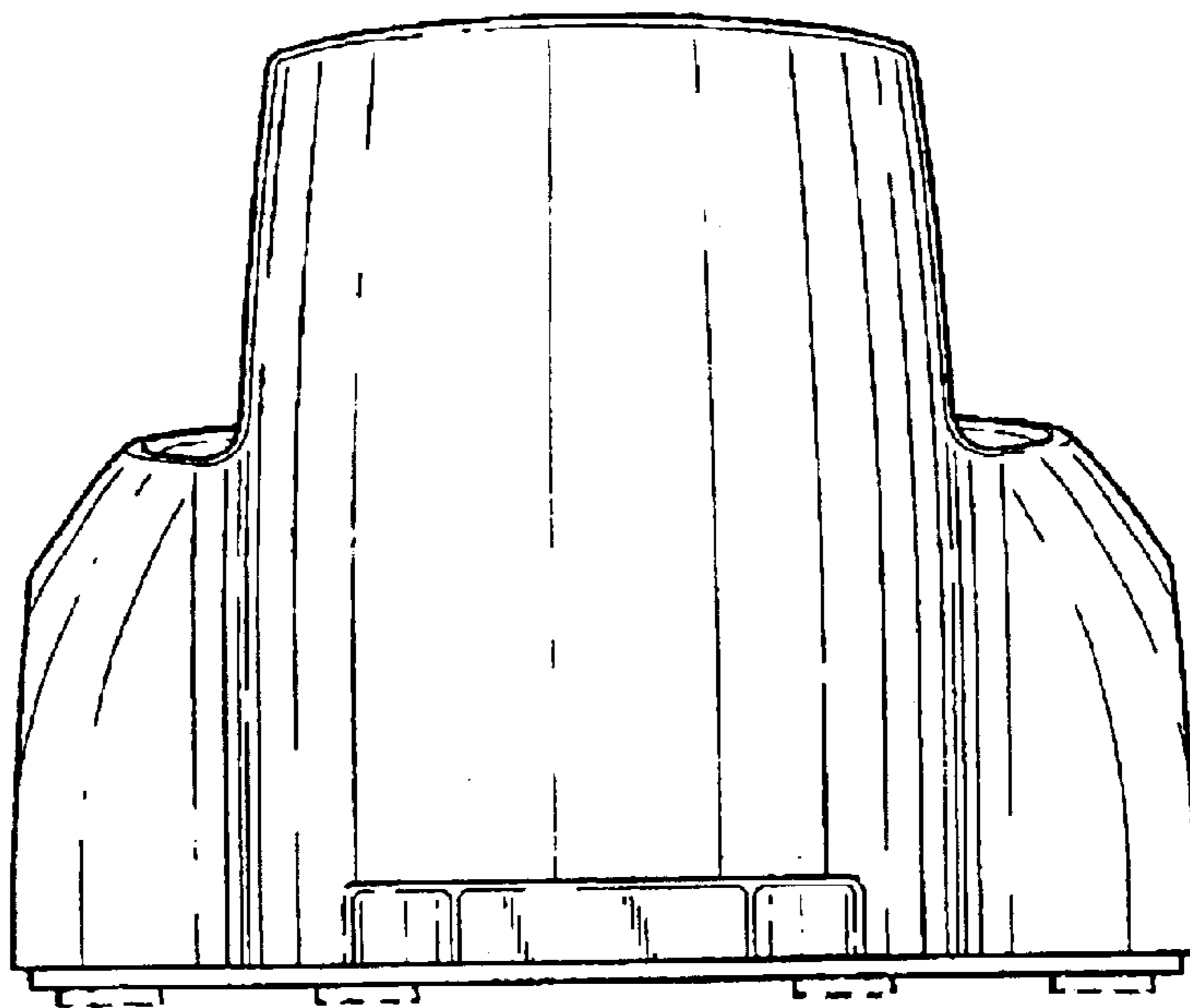


Fig. 4

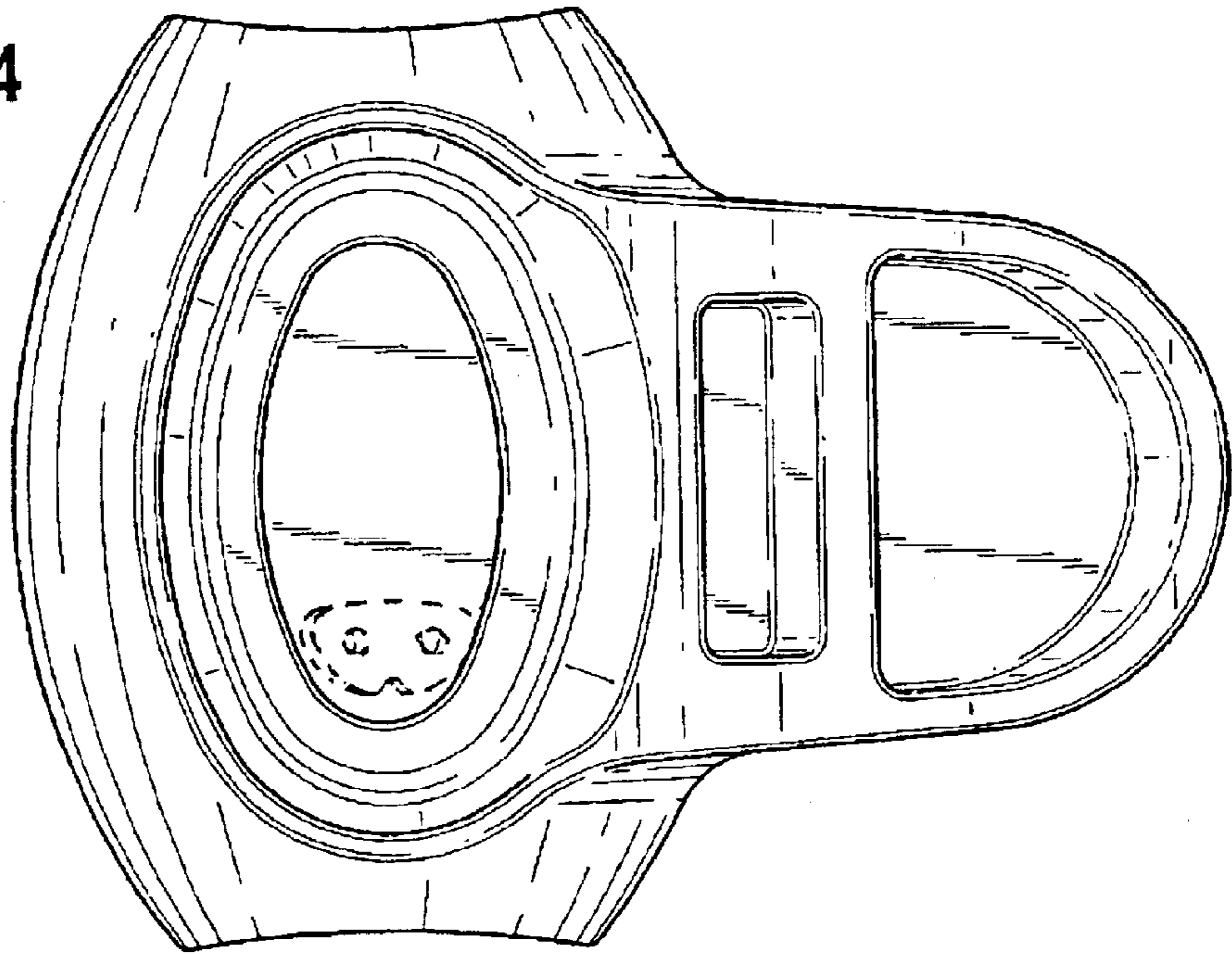
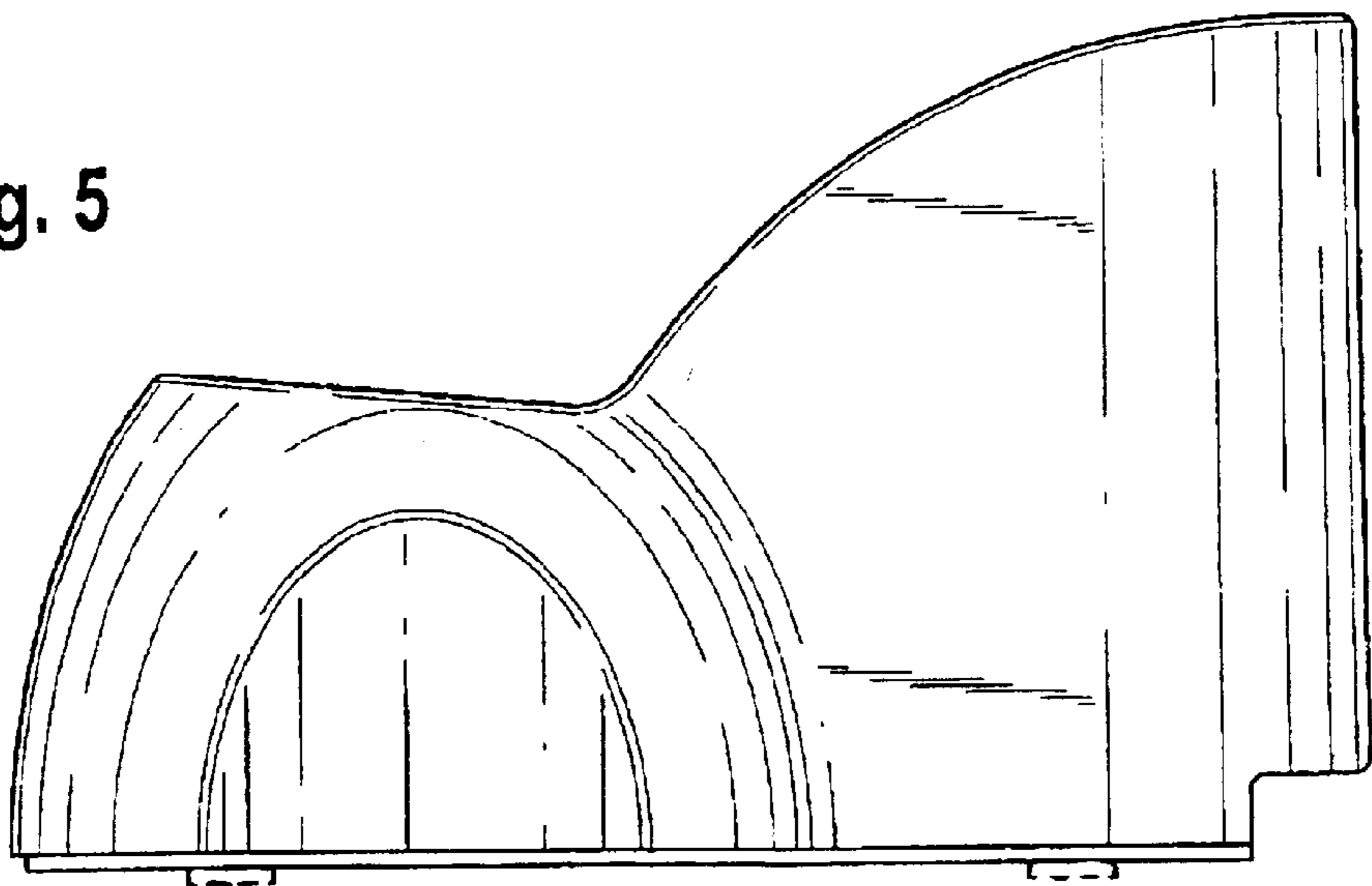


Fig. 5



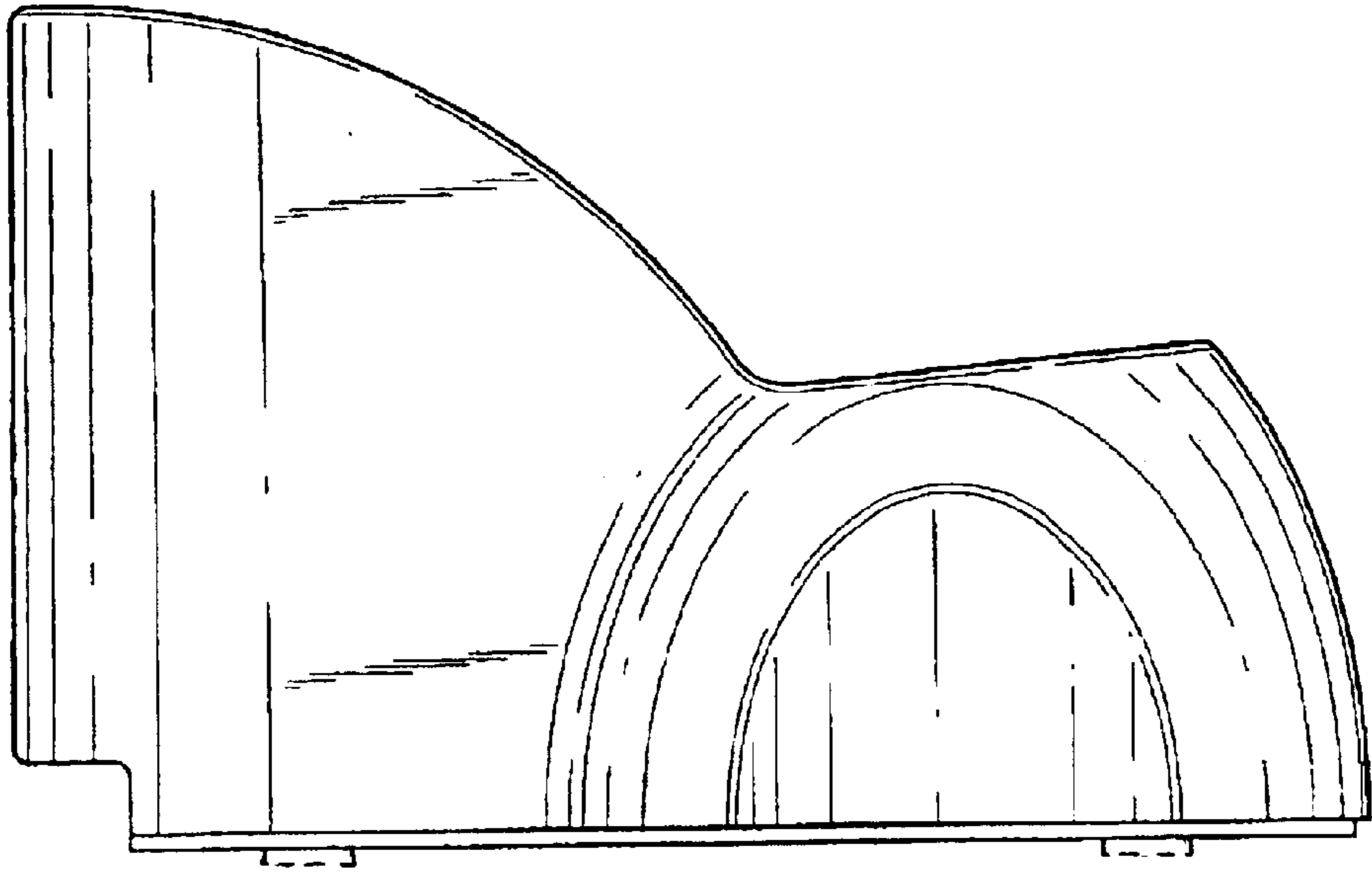


Fig. 6

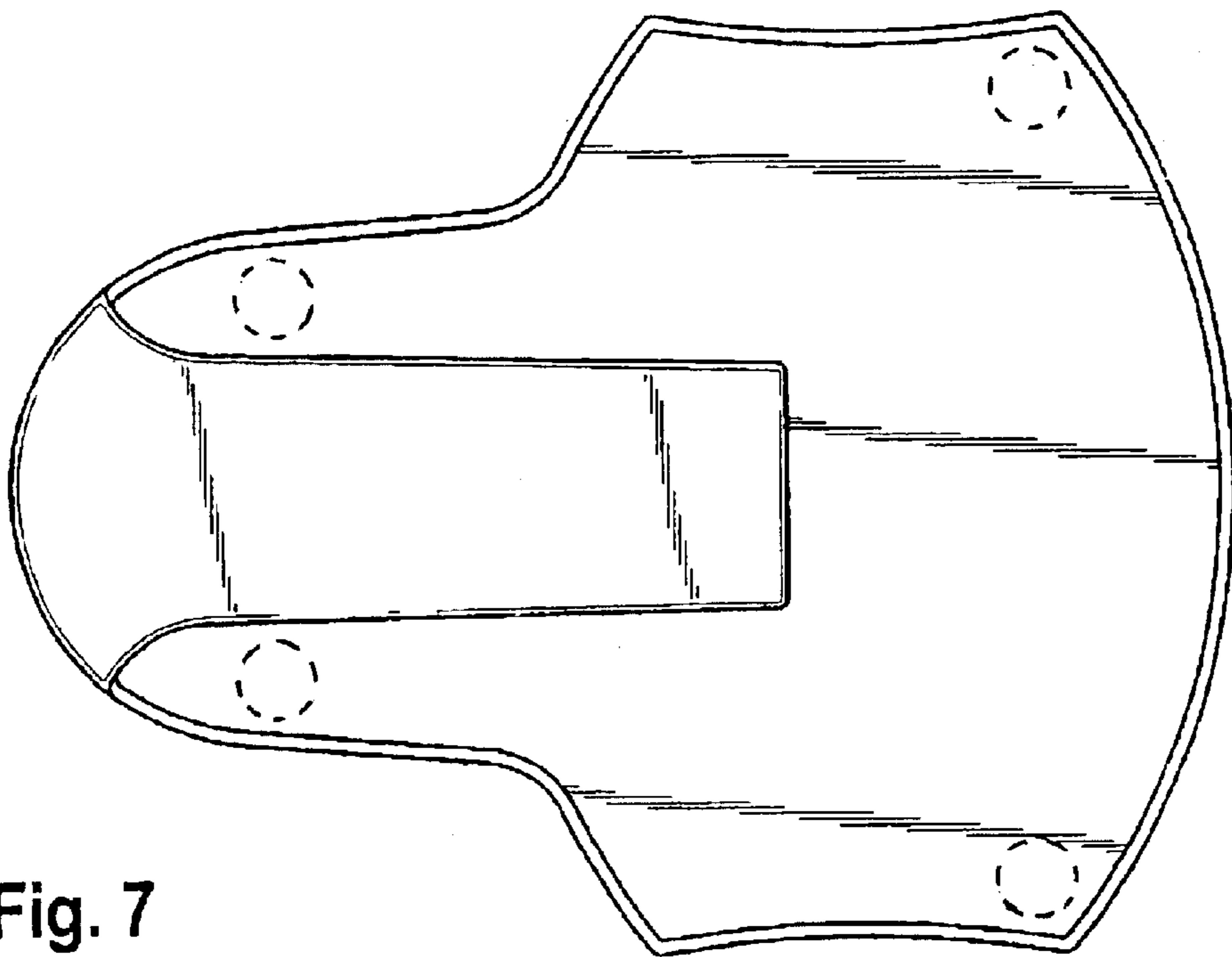


Fig. 7

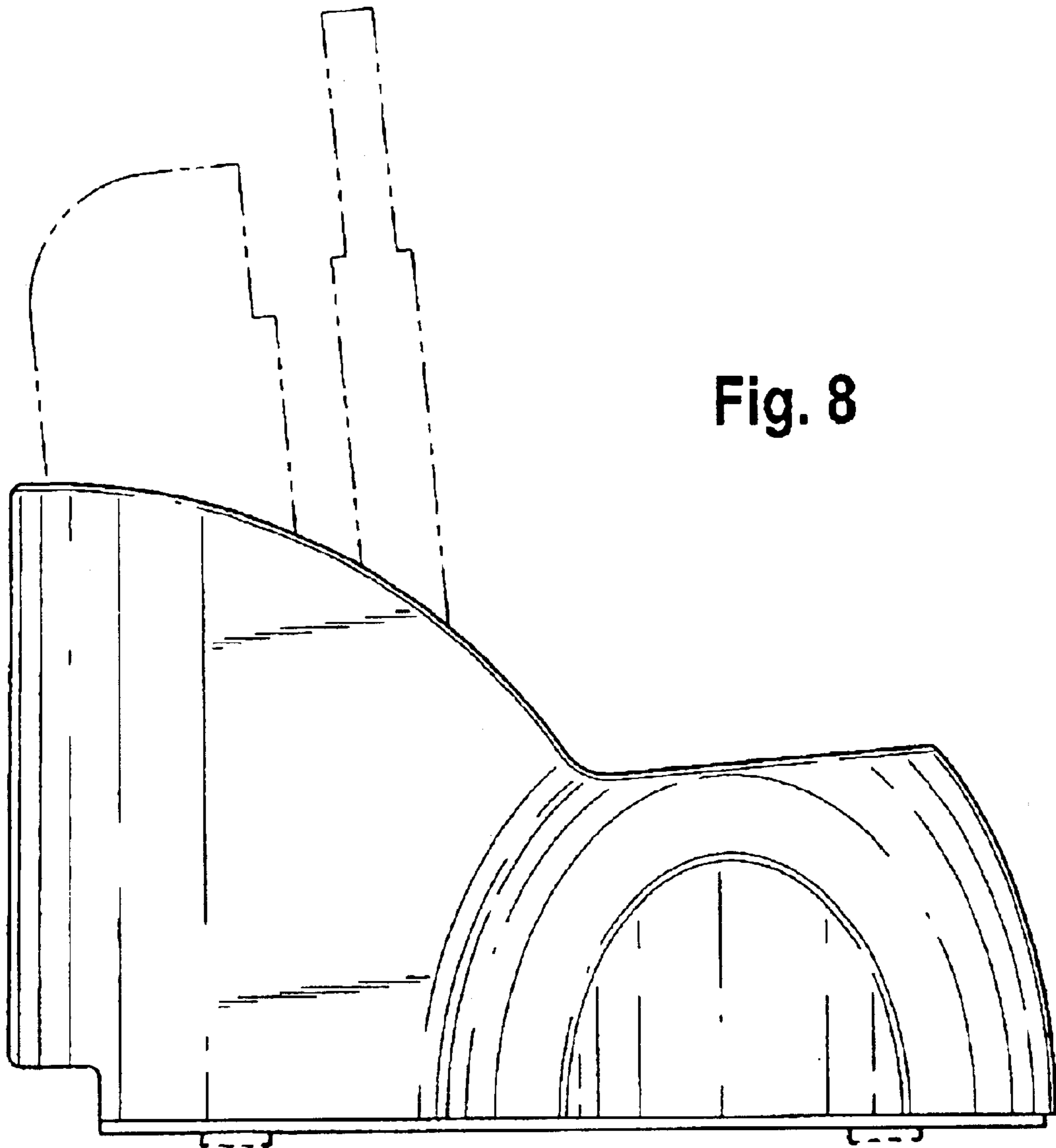


Fig. 8

Fig. 9

