



US00D488437S

(12) **United States Design Patent**
Ogasawara

(10) **Patent No.:** **US D488,437 S**

(45) **Date of Patent:** **** Apr. 13, 2004**

(54) **BATTERY**

(75) **Inventor:** **Shinichi Ogasawara, Tokyo (JP)**

(73) **Assignee:** **Sony Corporation, Tokyo (JP)**

(**) **Term:** **14 Years**

(21) **Appl. No.:** **29/187,732**

(22) **Filed:** **Aug. 7, 2003**

(51) **LOC (7) Cl.** **13-02**

(52) **U.S. Cl.** **D13/103**

(58) **Field of Search** **D13/103; 429/96-100,**
429/159, 163, 176

(56) **References Cited**

U.S. PATENT DOCUMENTS

D409,973 S	*	5/1999	Iwamoto et al.	D13/103
D458,217 S	*	6/2002	Hawk	D13/103
D478,041 S	*	8/2003	Yang	D13/103
D478,866 S	*	8/2003	Nakai	D13/103

OTHER PUBLICATIONS

Catalog "Vaio" p. 36, Sony (Oct. 2002).
Web page "PEGA-BP-500" <http://www8.yodobashi.com/enjoy/i.jsp?oid=6897153>, 1 sheet, Yodobashi Camera (May 2003).

Web page "JK-215LT" <http://8.yodobashi.com/enjoy/i.jsp?oid=1445769>, 1 sheet, Yodobashi Camera (May 2003).
News release "hp products—Compaq Tablet PC/TC 1000" http://www1.jpn.hp.com/products/tabletpc/tabletpc_tc1000_option.html, 2 sheets, HP Invent (May 2003).

* cited by examiner

Primary Examiner—Joel Sincavage
(74) *Attorney, Agent, or Firm*—Rader, Fishman & Grauer PLLC

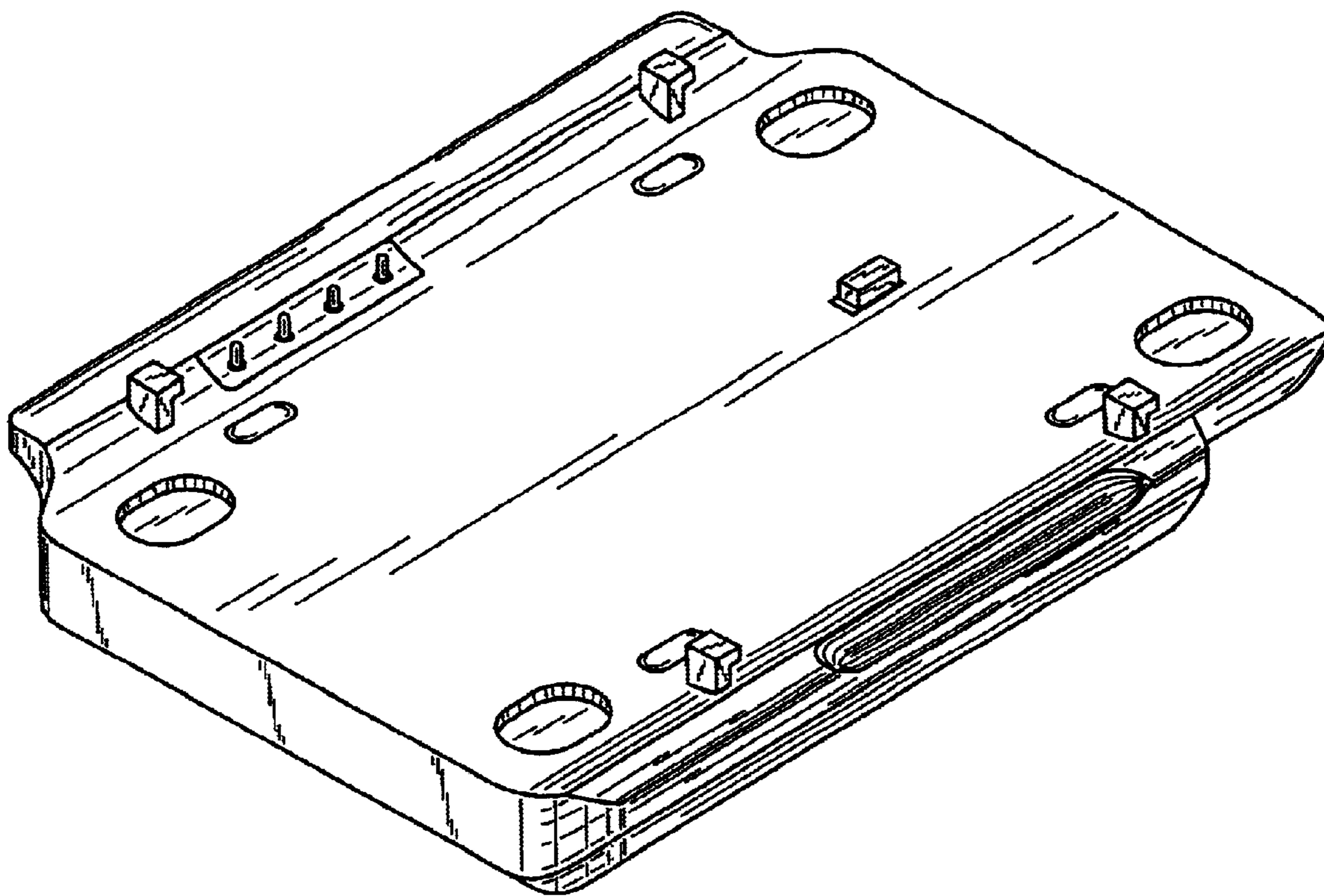
(57) **CLAIM**

The ornamental design for a battery, as shown.

DESCRIPTION

FIG. 1 is a perspective view of a battery showing my new design;
FIG. 2 is a front elevational view thereof;
FIG. 3 is a rear elevational view thereof;
FIG. 4 is a left side elevational view thereof;
FIG. 5 is a right side elevational view thereof;
FIG. 6 is a top plan view thereof; and,
FIG. 7 is a bottom plan view thereof.

1 Claim, 4 Drawing Sheets



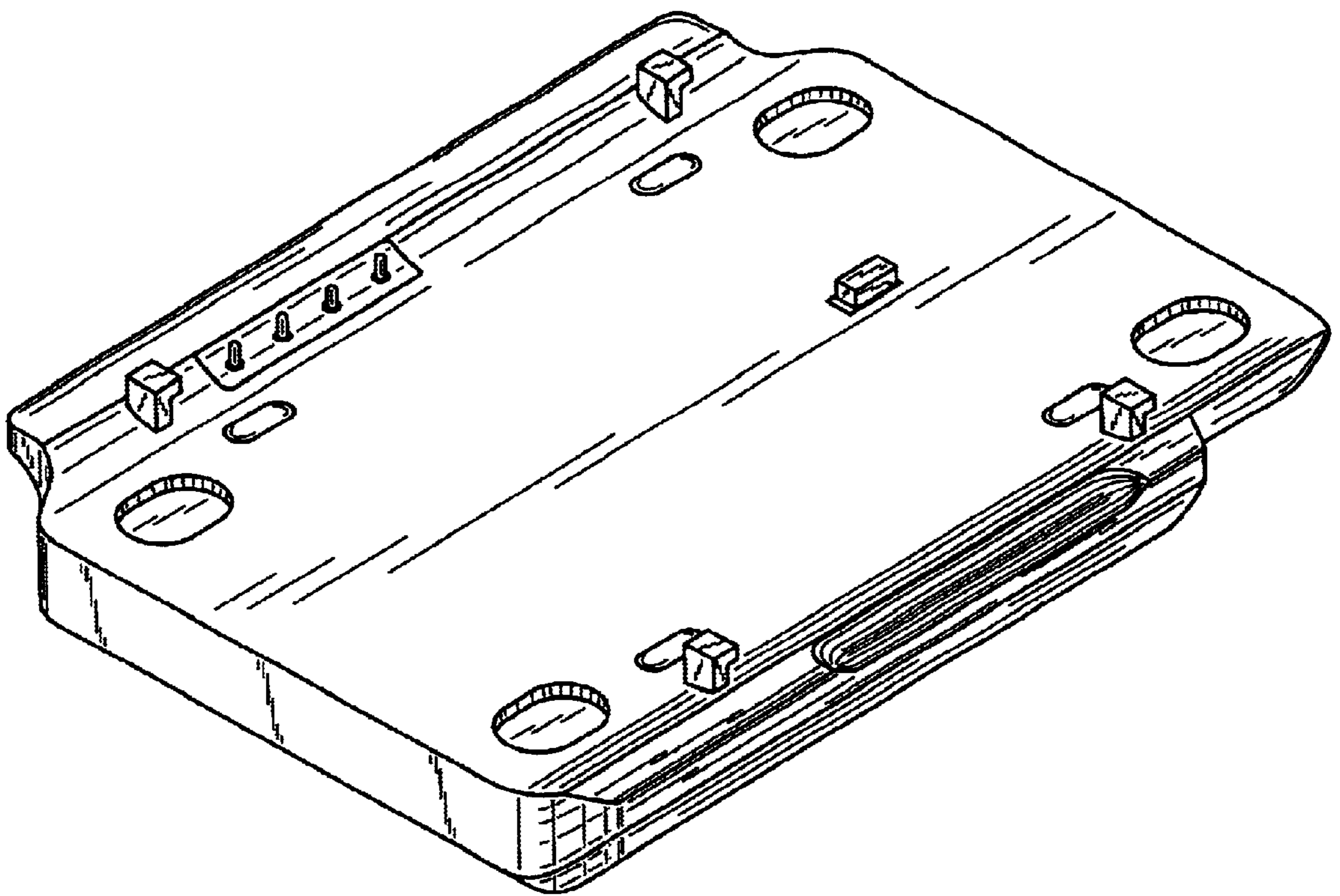


Fig. 1

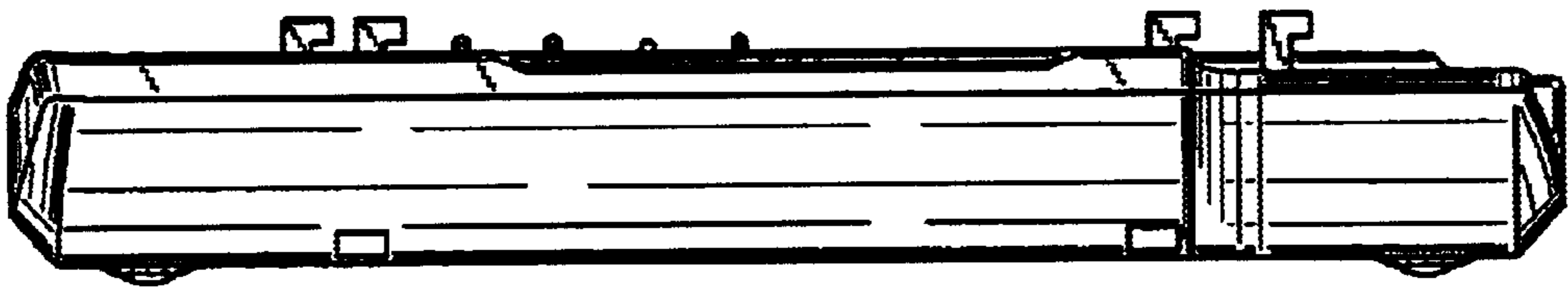


Fig. 2

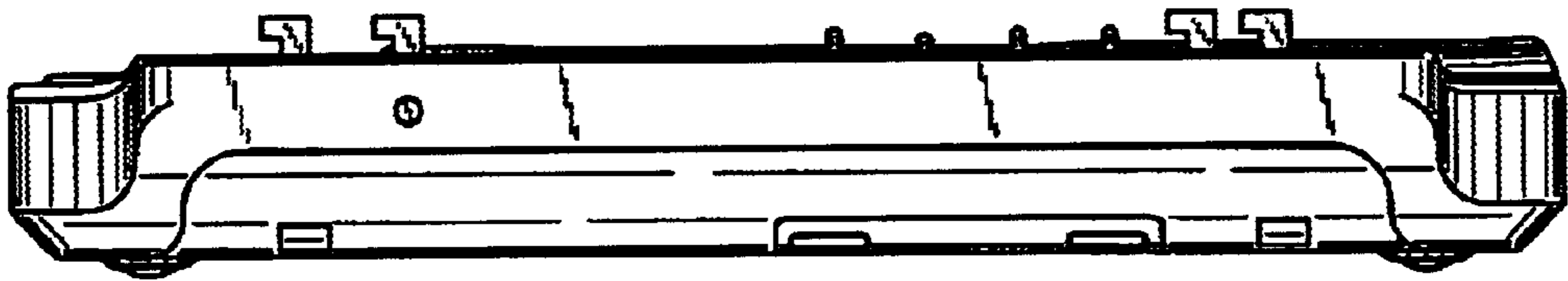


Fig. 3

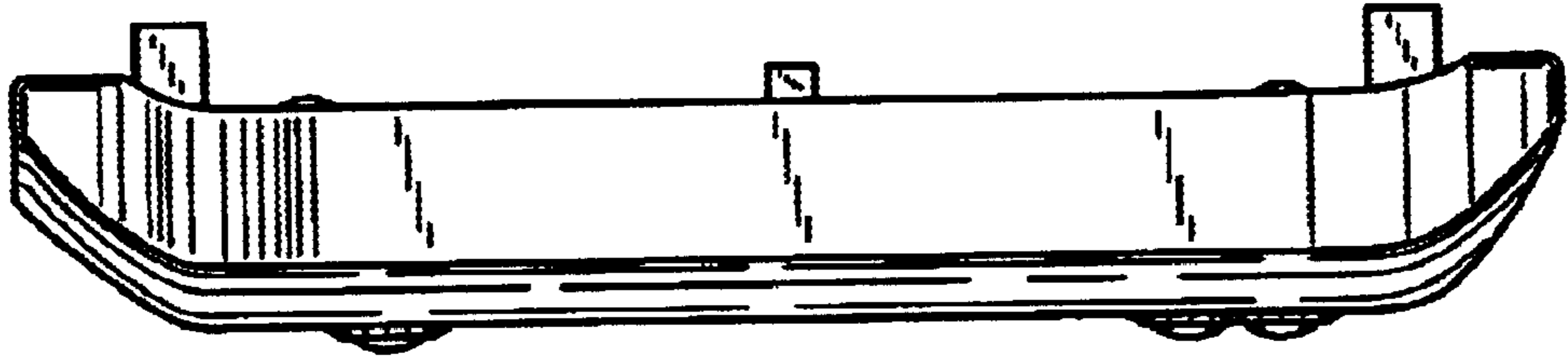


Fig. 4

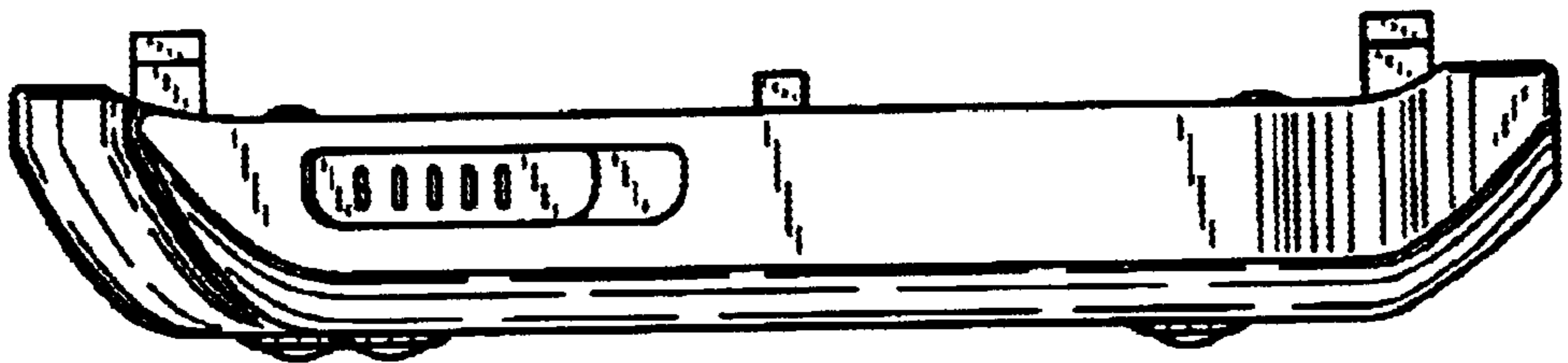


Fig. 5

Fig. 6

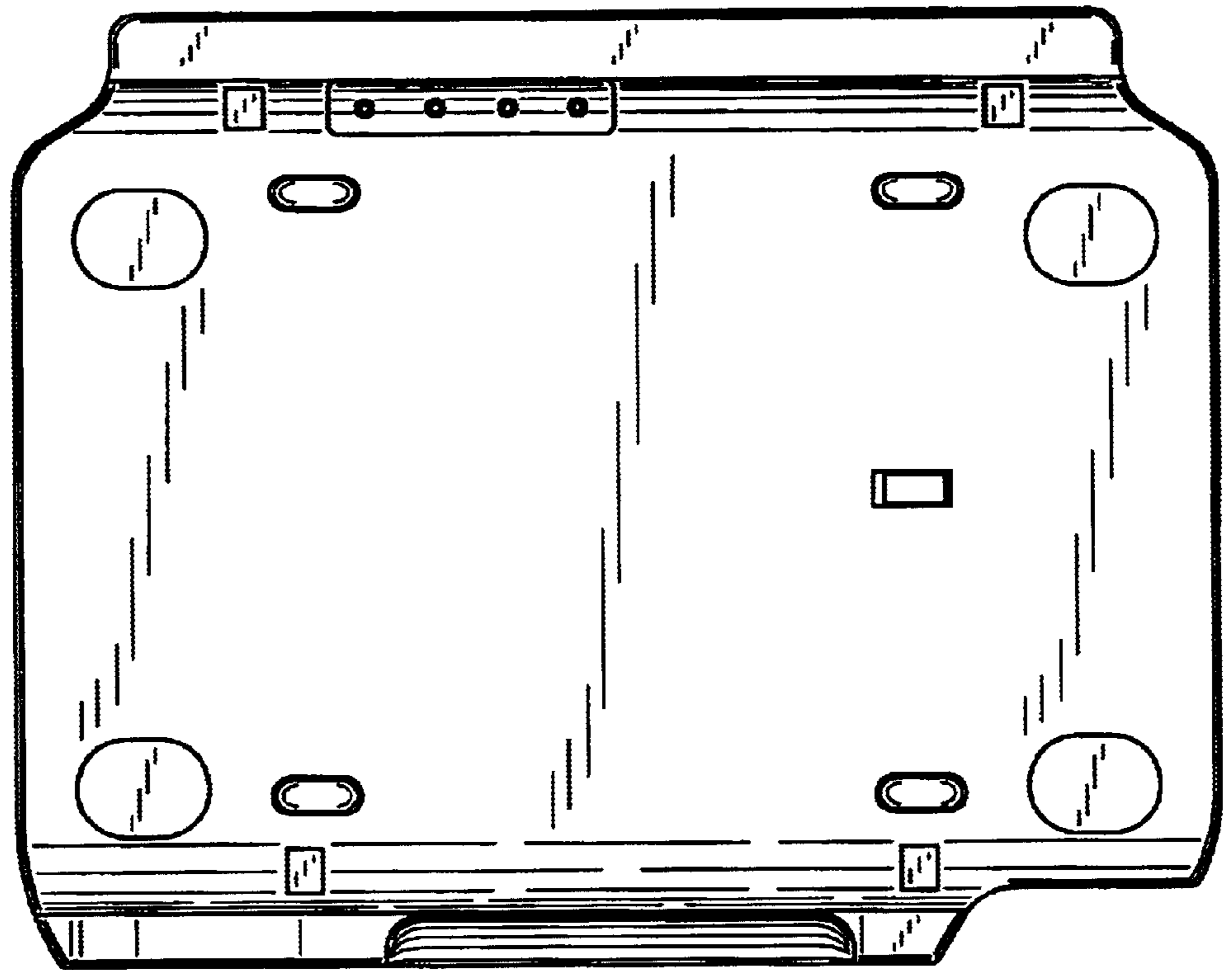


Fig. 7

