



US00D488435S

(12) **United States Design Patent**
Hirano

(10) **Patent No.:** **US D488,435 S**

(45) **Date of Patent:** **** Apr. 13, 2004**

(54) **RECHARGEABLE BATTERY FOR OPTICAL DISC PLAYER**

HK 0111956.1 S 12/2001
JP D1140651 S 3/2002

(75) Inventor: **Shinpei Hirano**, Tokyo (JP)

* cited by examiner

(73) Assignee: **Sony Corporation**, Tokyo (JP)

Primary Examiner—Joel Sincavage
(74) *Attorney, Agent, or Firm*—Radar, Fishman & Grauer PLLC

(**) Term: **14 Years**

(21) Appl. No.: **29/157,547**

(57) **CLAIM**

(22) Filed: **Mar. 22, 2002**

The ornamental design for a rechargeable battery for optical disc player, as shown.

(51) **LOC (7) Cl.** **13-03**

(52) **U.S. Cl.** **D13/103**

(58) **Field of Search** D13/103; 429/96-100,
429/159, 163, 176

DESCRIPTION

(56) **References Cited**

U.S. PATENT DOCUMENTS

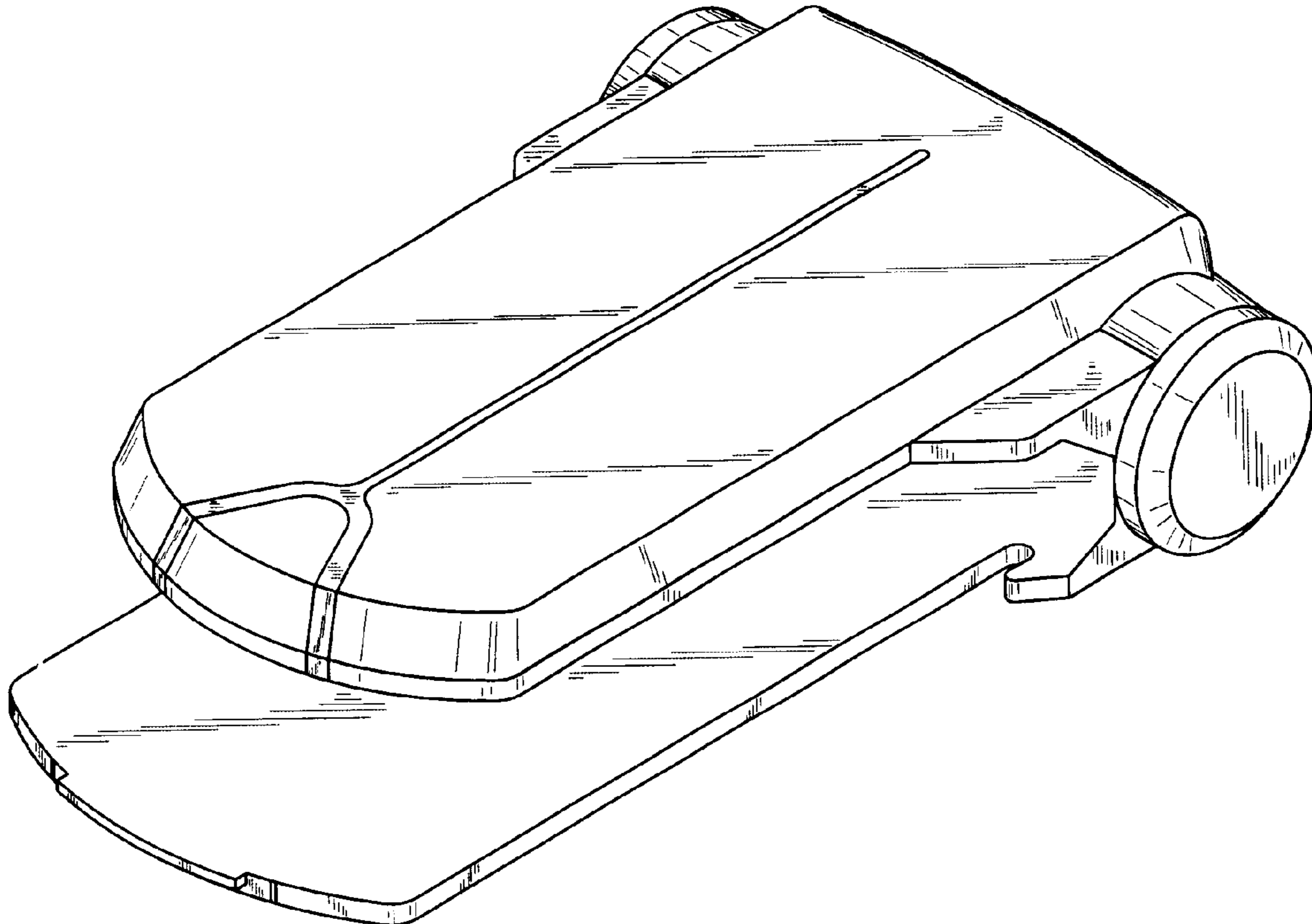
D335,564 S * 5/1993 Delmerico D34/11
D418,736 S * 1/2000 Perkins et al. D8/328
D430,124 S 8/2000 Niitsu

FIG. 1 is a perspective view of a rechargeable battery for optical disc player showing my new design;
FIG. 2 is a front elevational view thereof;
FIG. 3 is a rear elevational view thereof;
FIG. 4 is a left side elevational view thereof;
FIG. 5 is a right side elevational view thereof;
FIG. 6 is a top plan view thereof; and,
FIG. 7 is a bottom plan view thereof.

FOREIGN PATENT DOCUMENTS

GB 3000304 * 12/2001 13/2.04

1 Claim, 4 Drawing Sheets



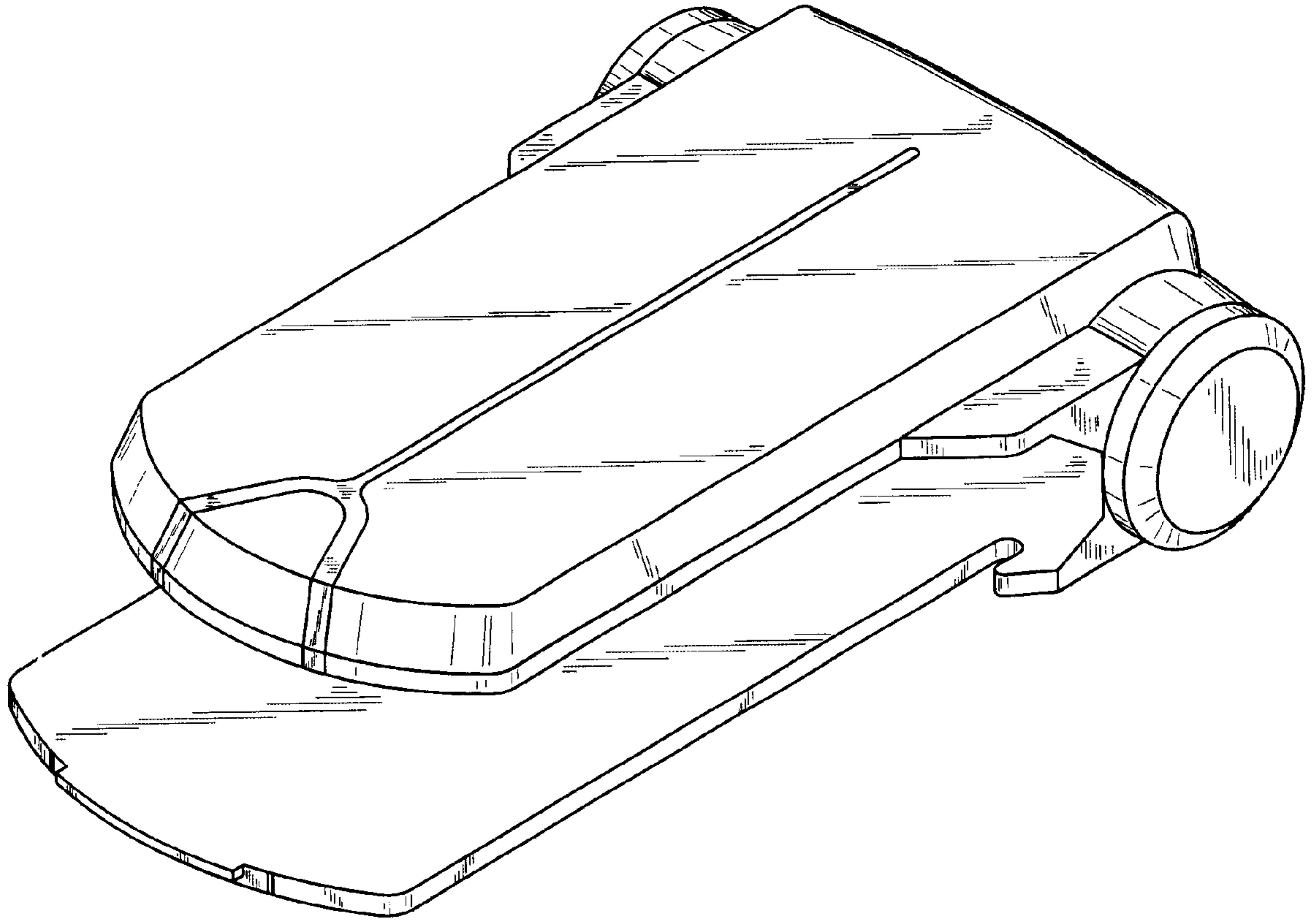


Fig. 1

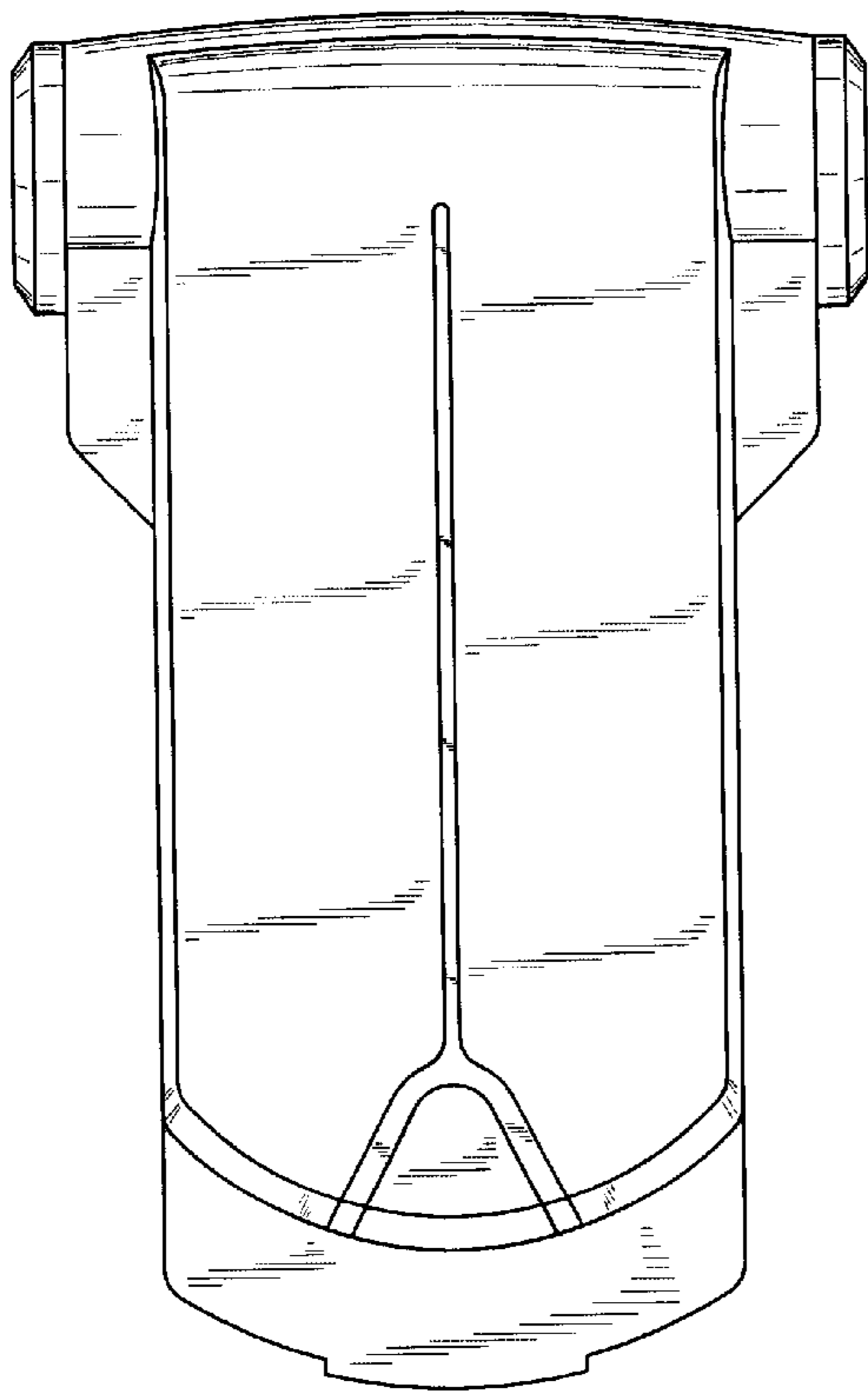


Fig. 2

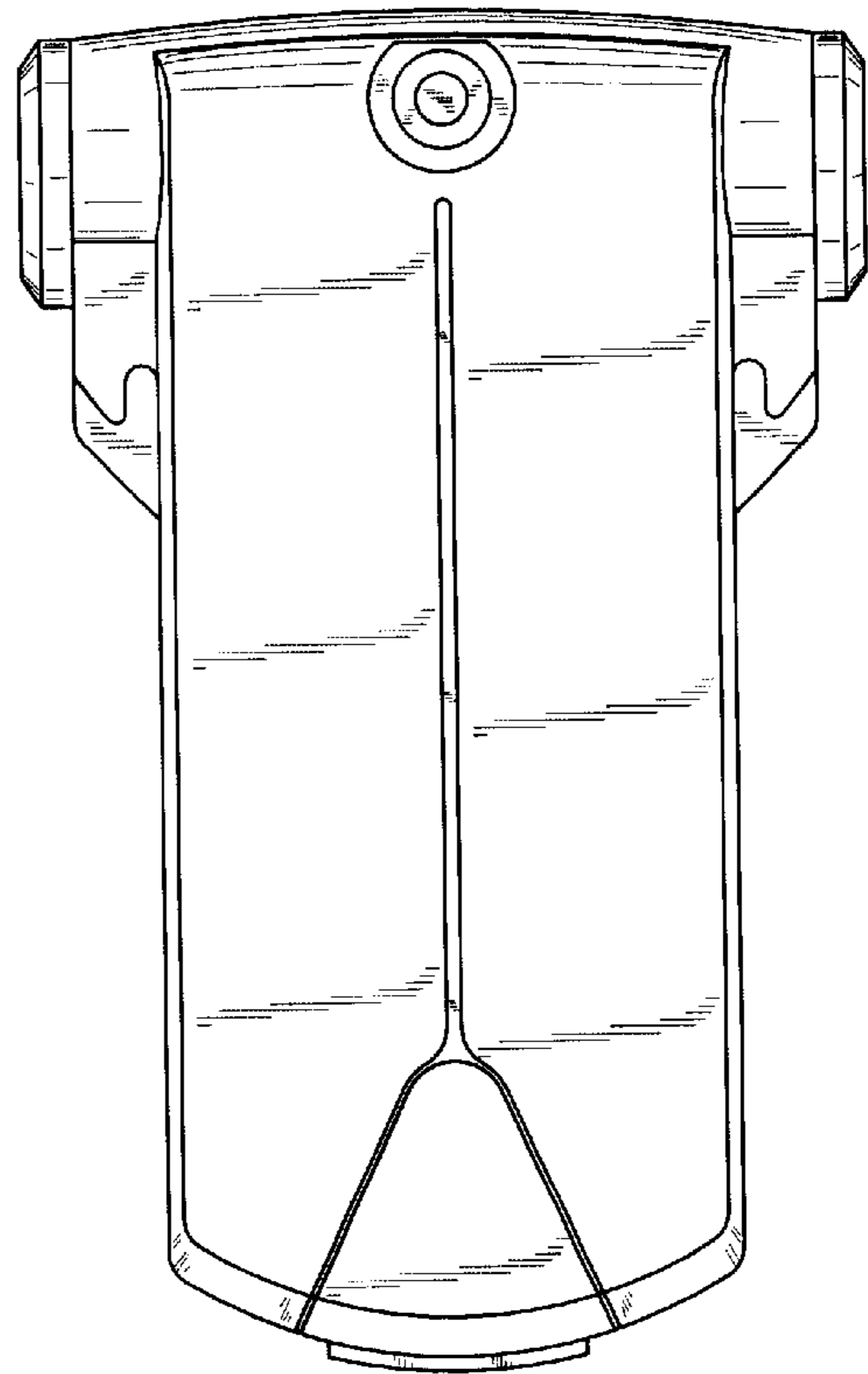


Fig. 3

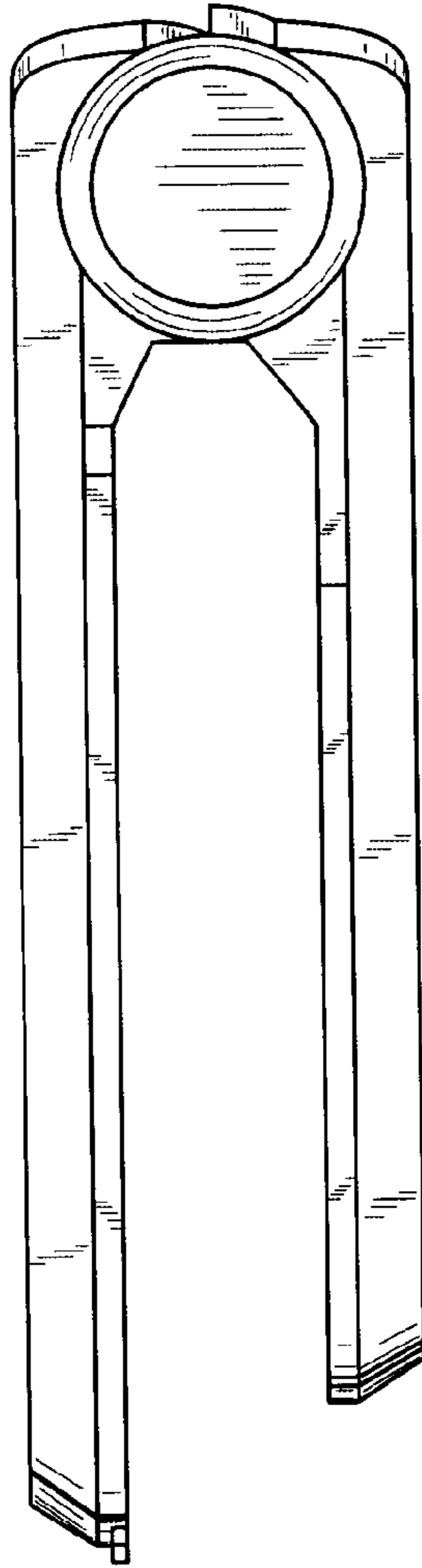


Fig. 4

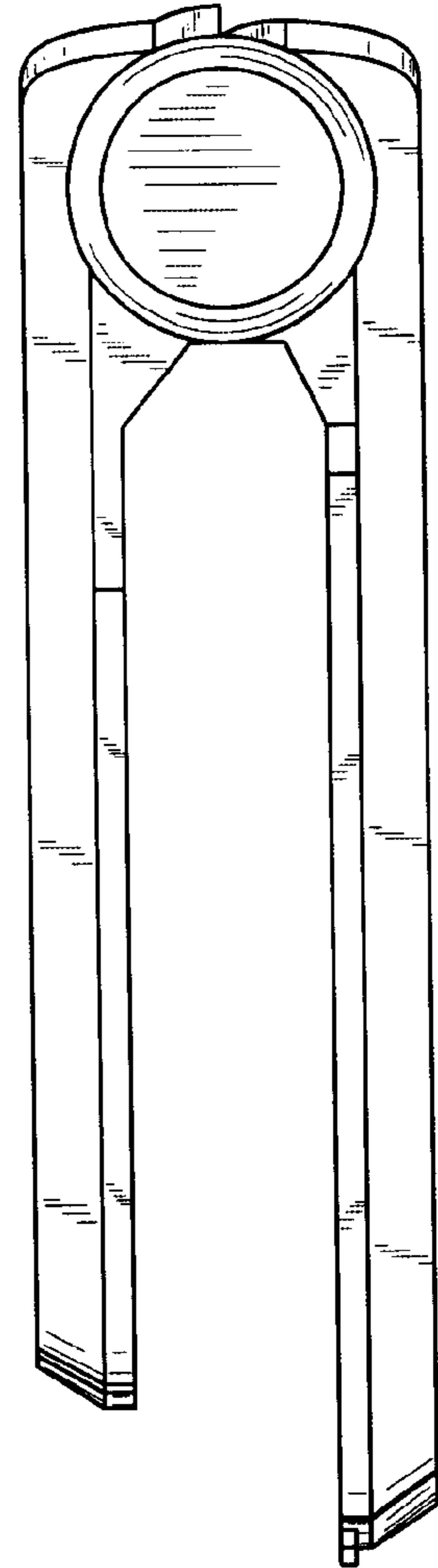


Fig. 5

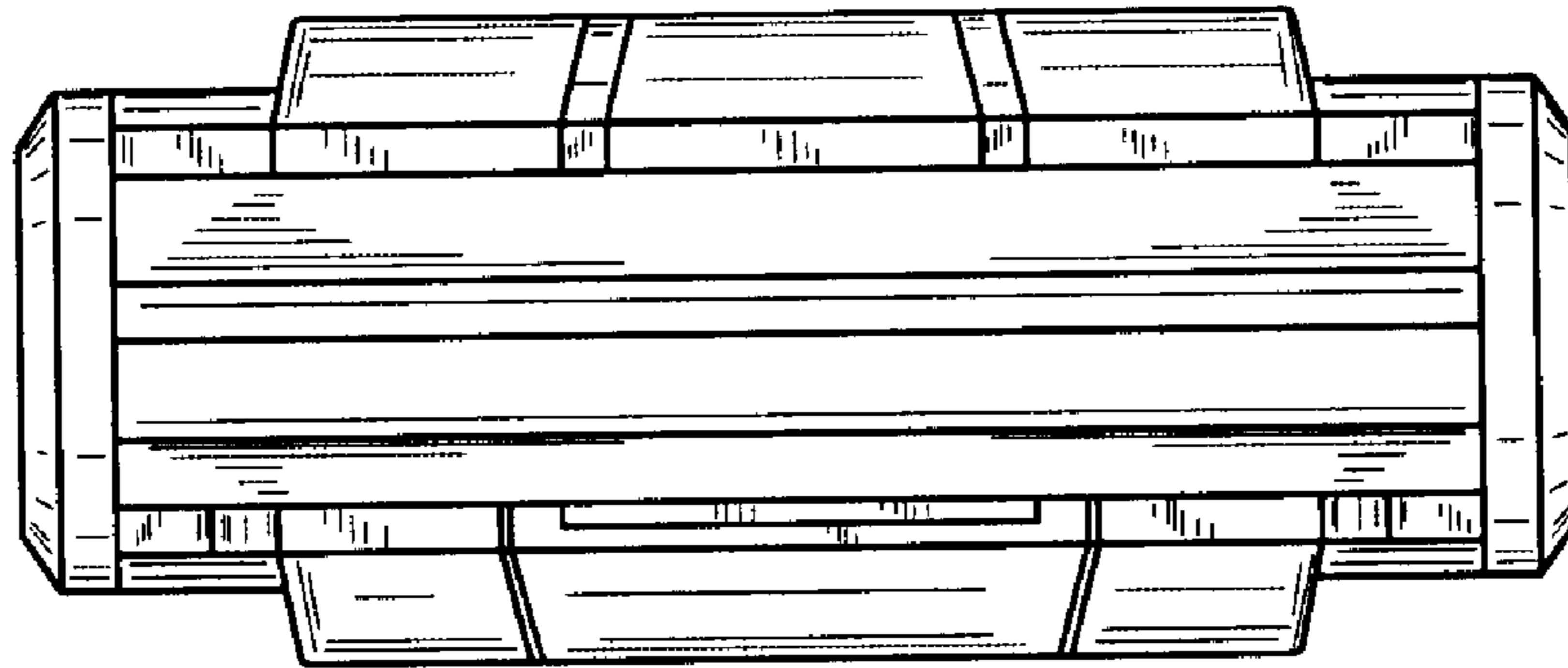


Fig. 6

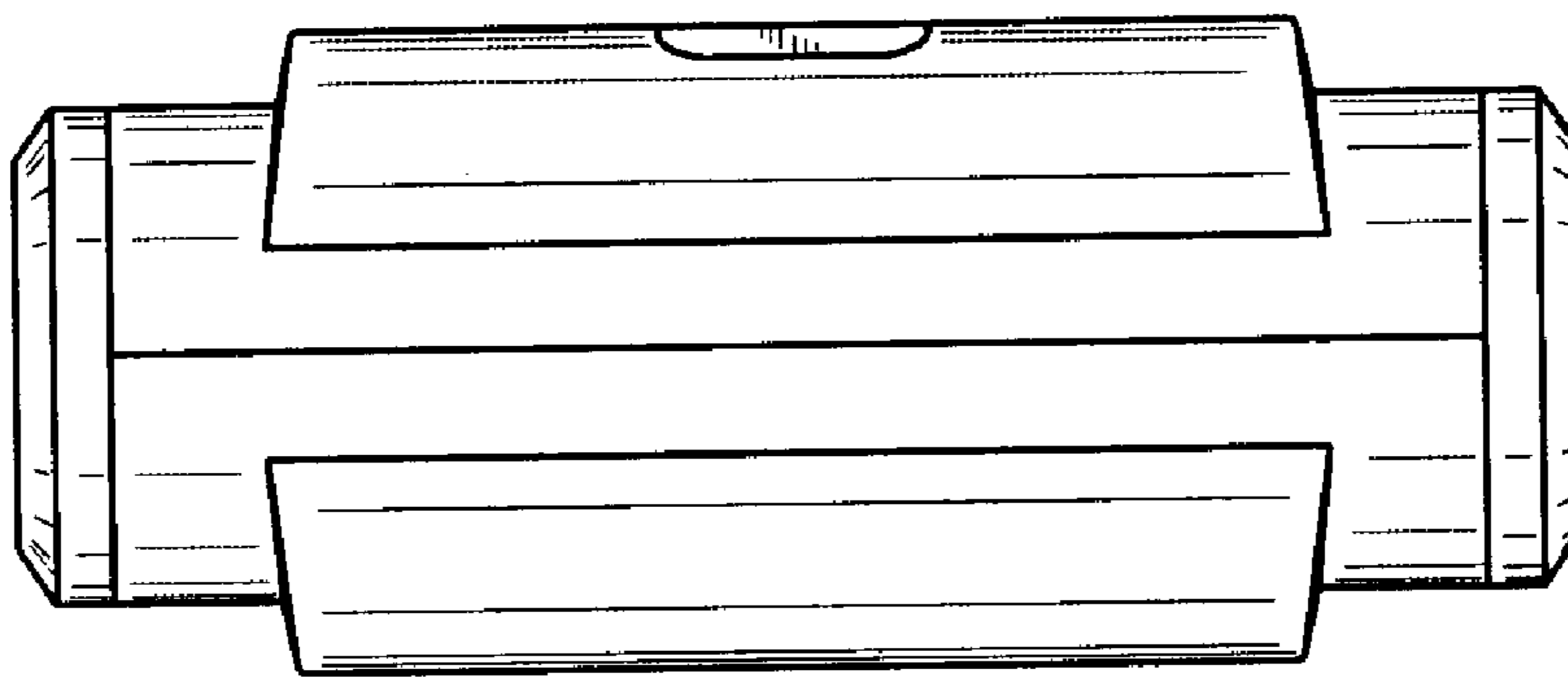


Fig. 7