



US00D488428S

(12) **United States Design Patent**  
**Greene**

(10) **Patent No.:** **US D488,428 S**

(45) **Date of Patent:** **\*\* Apr. 13, 2004**

(54) **PICKUP TOOL BOX**

(75) Inventor: **Michael Greene**, Reno, NV (US)

(73) Assignee: **Thinking Outside, L.L.C.**, Detroit, MI (US)

(\*\*) Term: **14 Years**

(21) Appl. No.: **29/189,987**

(22) Filed: **Sep. 11, 2003**

(51) **LOC (7) Cl.** ..... **12-99**

(52) **U.S. Cl.** ..... **D12/414.1**

(58) **Field of Search** ..... D12/412-413,  
D12/414.1, 423-425, 406; D3/272-273,  
905, 294, 315, 318; D9/341; 296/24.1,  
37.1, 37.6-37.7; 224/539-541, 400-404;  
206/315.1, 315.11; 280/901

(56) **References Cited**

**U.S. PATENT DOCUMENTS**

D260,633 S	*	9/1981	Gorman	.....	D12/414.1
D275,275 S	*	8/1984	Stapp	.....	D12/414.1
D294,816 S	*	3/1988	Hoyt	.....	D12/414.1
D298,308 S	*	11/1988	VanKirk	.....	D12/414.1
D305,315 S	*	1/1990	Fletcher	.....	D12/414.1
D305,502 S	*	1/1990	Waters	.....	D12/414.1
D317,720 S	*	6/1991	Fielder	.....	D12/414.1
D317,865 S	*	7/1991	Waters	.....	D12/414.1
D317,868 S	*	7/1991	Fielder	.....	D12/414.1

D324,197 S	*	2/1992	Dickinson	.....	D12/414.1
D331,836 S	*	12/1992	Newby, Sr.	.....	D12/423
D349,091 S	*	7/1994	Dickinson	.....	D12/414.1
D369,140 S	*	4/1996	Sills	.....	D12/414.1
D369,342 S	*	4/1996	Williams	.....	D12/414.1
D372,454 S	*	8/1996	Murray, Sr.	.....	D12/414.1
D373,989 S	*	9/1996	Dickinson	.....	D12/414.1
D374,654 S	*	10/1996	Steketee	.....	D12/414.1
D400,159 S	*	10/1998	Niemi et al.	.....	D12/423
D403,654 S	*	1/1999	Houry	.....	D12/414.1
D426,511 S	*	6/2000	Mehuron	.....	D12/414.1
D436,342 S	*	1/2001	Lopez	.....	D12/414.1

\* cited by examiner

*Primary Examiner*—Stacia Cadmus

(74) *Attorney, Agent, or Firm*—Townsend and Townsend and Crew LLP

(57) **CLAIM**

The ornamental design for pickup tool box, as shown and described.

**DESCRIPTION**

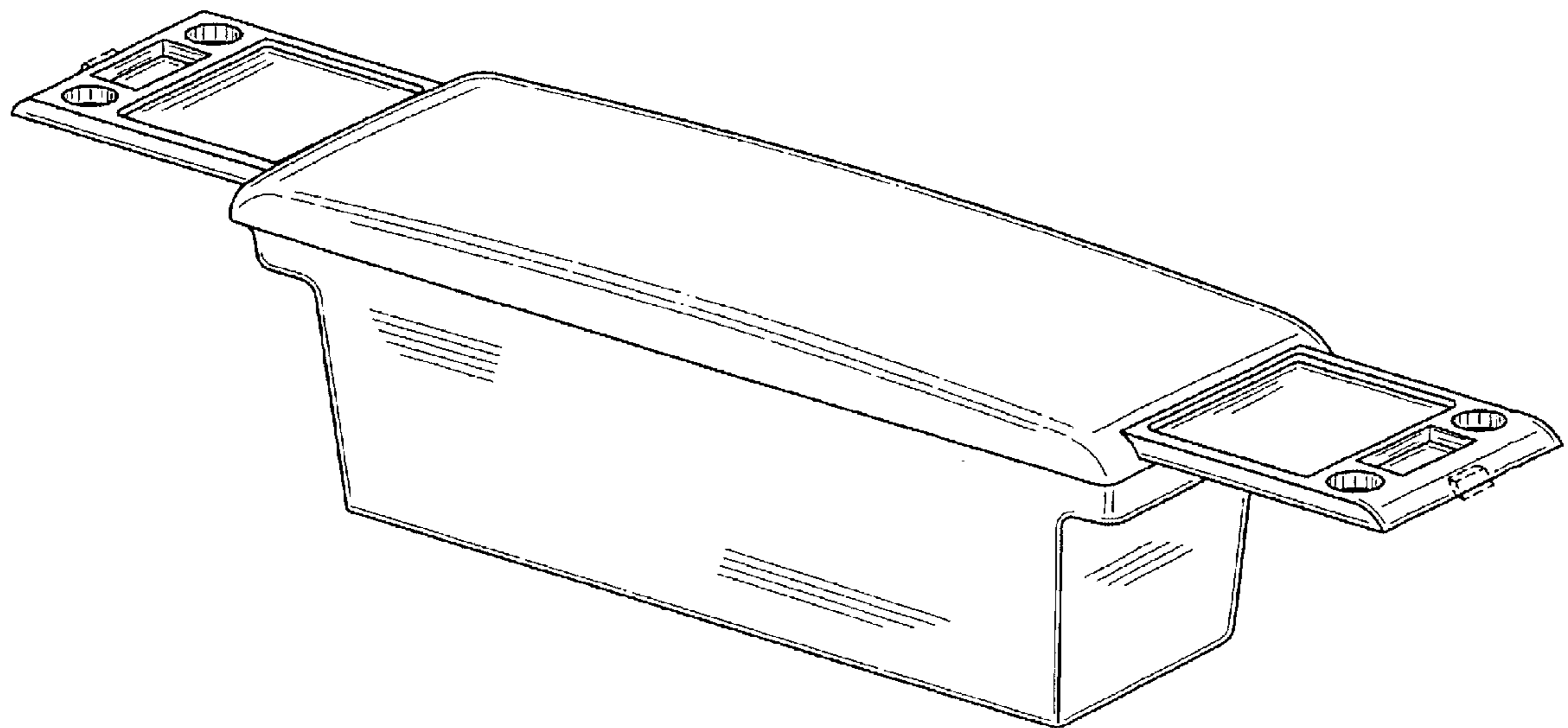
FIG. 1 is a front perspective view of a pickup tool box showing my new design;

FIG. 2 is a rear perspective view of the pickup tool box showing side pull-out trays; and,

FIG. 3 is a front elevational view of FIG. 1.

The broken line showing of environment is for illustrative purposes only and forms no part of the claimed design.

**1 Claim, 3 Drawing Sheets**



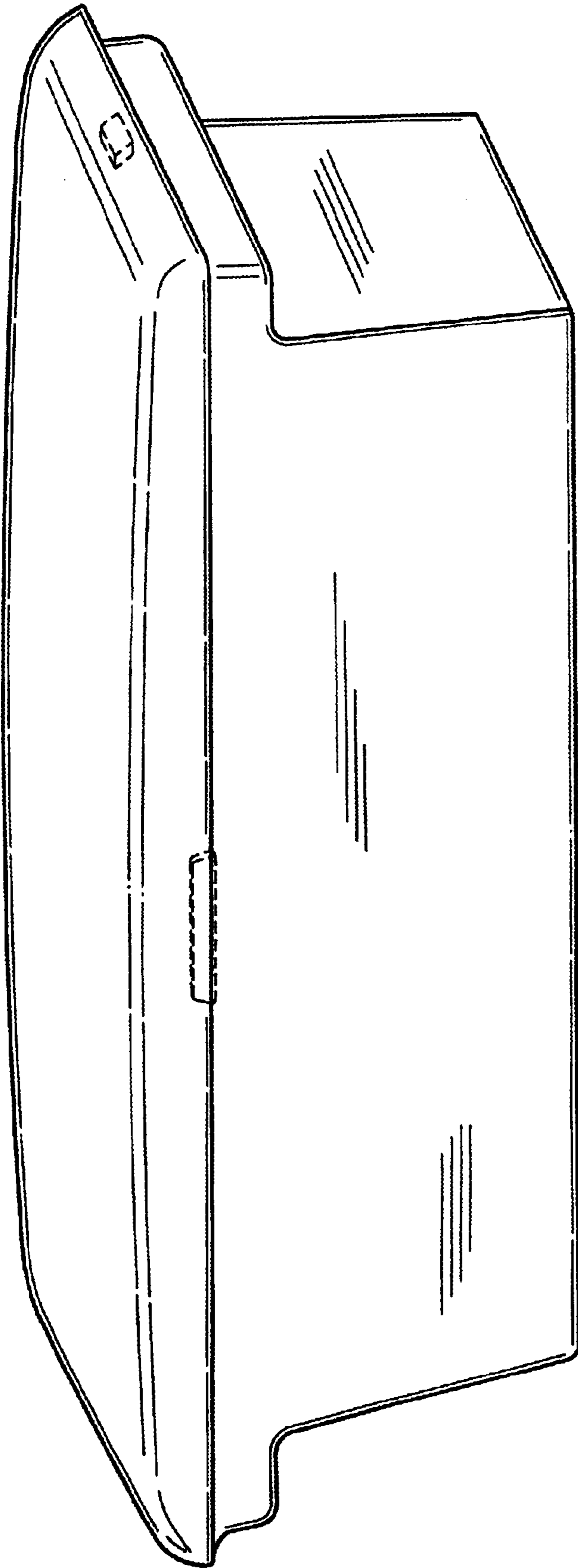


FIG. 1

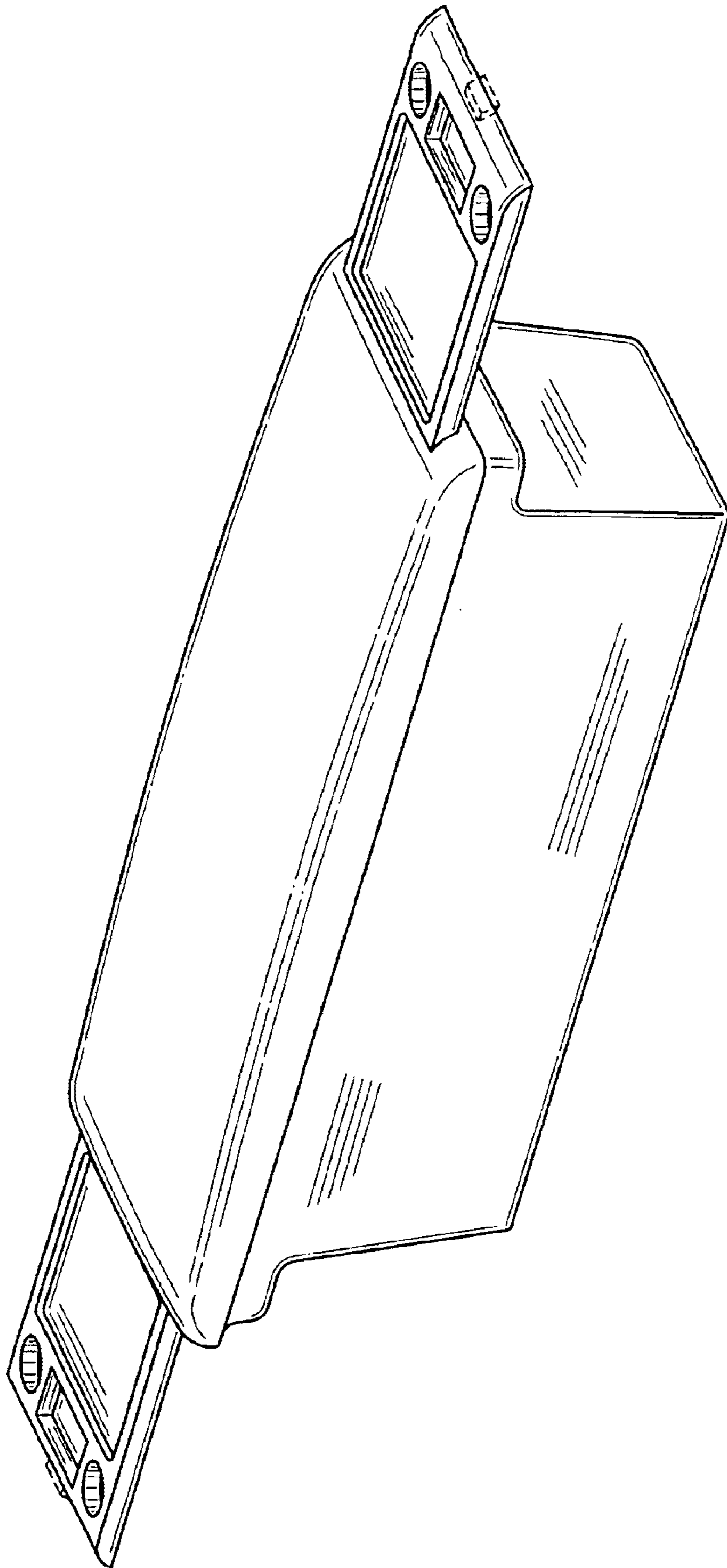


FIG. 2

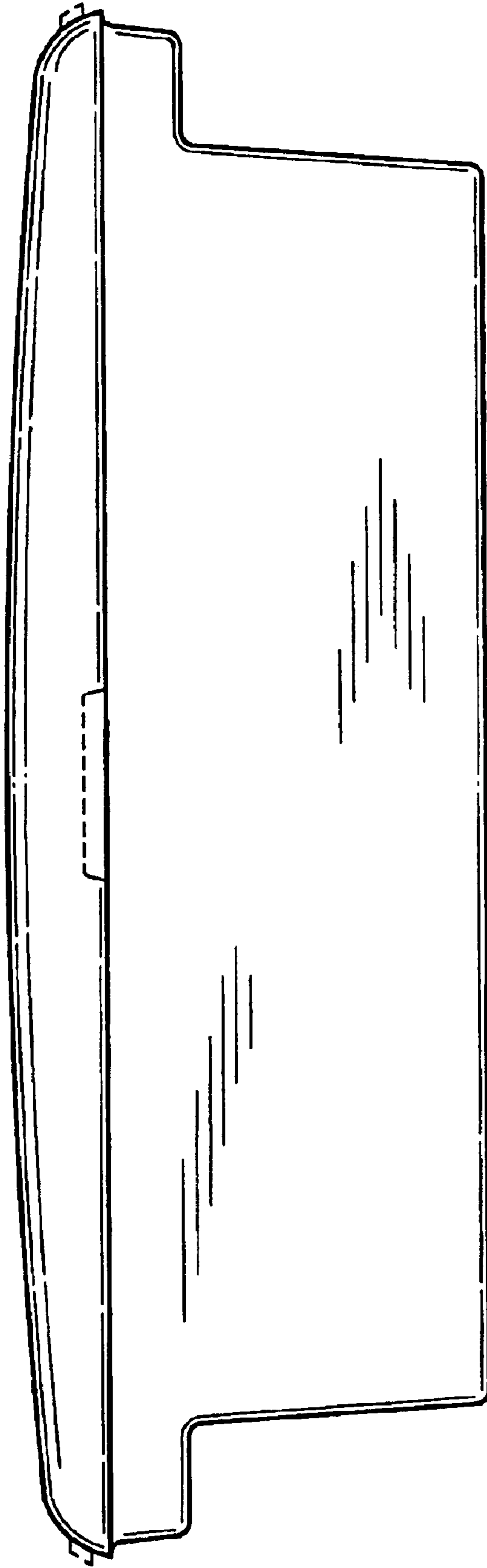


FIG. 3