



US00D488420S

(12) **United States Design Patent**
Murkett et al.

(10) **Patent No.:** **US D488,420 S**

(45) **Date of Patent:** **** Apr. 13, 2004**

(54) **FRONT FACE OF A VEHICLE WHEEL**

(75) Inventors: **Stephen Murkett**, Gerlingen (DE);
Michael Gallert, Stuttgart (DE)

(73) Assignee: **Dr. Ing. h.c.F. Porsche**
Aktiengesellschaft, Stuttgart (DE)

(**) Term: **14 Years**

(21) Appl. No.: **29/166,606**

(22) Filed: **Sep. 3, 2002**

(30) **Foreign Application Priority Data**

Mar. 4, 2002 (DE) 4 02 02 029

(51) **LOC (7) Cl.** **12-16**

(52) **U.S. Cl.** **D12/209**

(58) **Field of Search** D12/204-211;
301/37.101, 64.101, 65

(56) **References Cited**

U.S. PATENT DOCUMENTS

- D402,251 S * 12/1998 Timm D12/211
- D405,749 S * 2/1999 Kulla D12/211
- D407,364 S * 3/1999 Fisker D12/209
- D412,480 S * 8/1999 Hussaini et al. D12/209
- D417,646 S * 12/1999 Baumgartner D12/211
- D421,417 S * 3/2000 Weidhase D12/209

- D422,258 S * 4/2000 Hale, Jr. D12/211
- D422,959 S * 4/2000 Hussaini et al. D12/211
- D428,846 S * 8/2000 Yoshida et al. D12/211
- D432,974 S * 10/2000 Jablonski D12/211
- D433,374 S * 11/2000 Wang D12/209
- D433,659 S * 11/2000 Frizzi D12/211
- D450,647 S * 11/2001 Pfeiffer D12/211
- D454,527 S * 3/2002 Bhambra D12/209
- D457,118 S * 5/2002 Bhambra D12/211
- D457,478 S * 5/2002 Minamisawa D12/211
- D461,441 S * 8/2002 Hartanto D12/211

* cited by examiner

Primary Examiner—Stacia Cadmus

(74) *Attorney, Agent, or Firm*—Crowell & Möring LLP

(57) **CLAIM**

The ornamental design for a front face of a vehicle wheel, as shown and described.

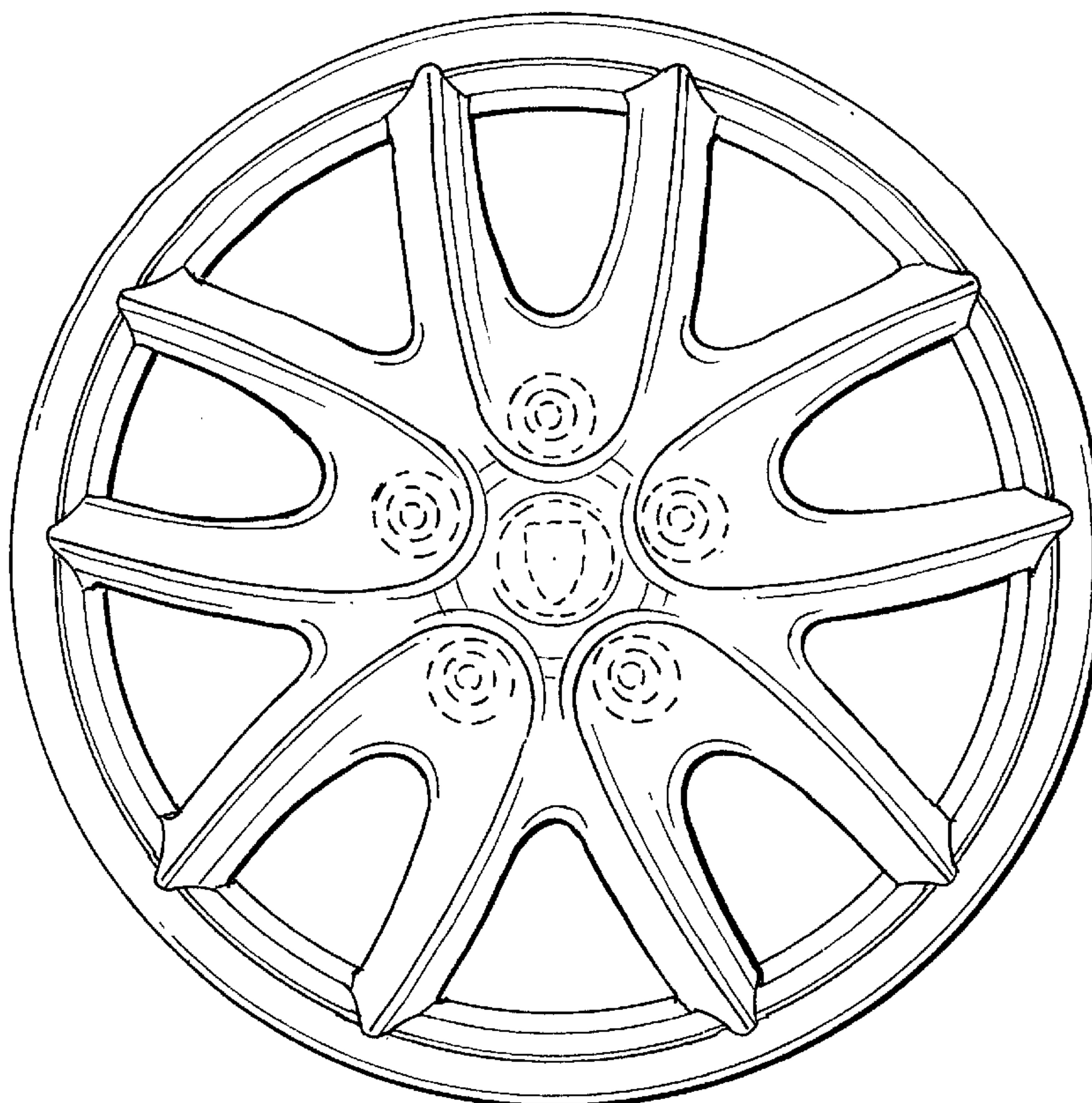
DESCRIPTION

FIG. 1 is a front view of a front face of a vehicle wheel according to our novel design; and,

FIG. 2 is a perspective view of the front face of a vehicle wheel according to our novel design.

The dash lines included depict environment and are not part of the claimed design.

1 Claim, 1 Drawing Sheet



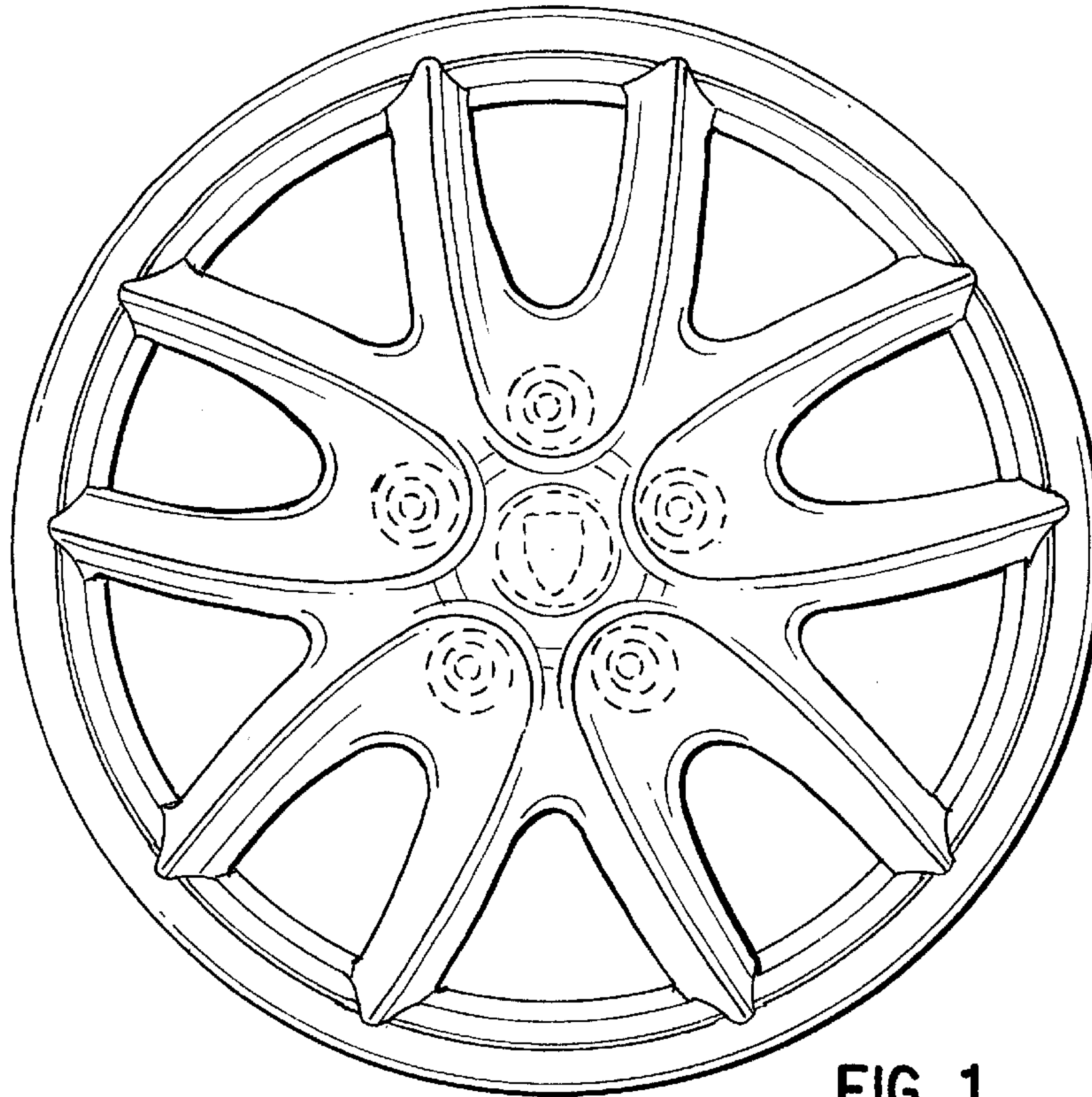


FIG. 1

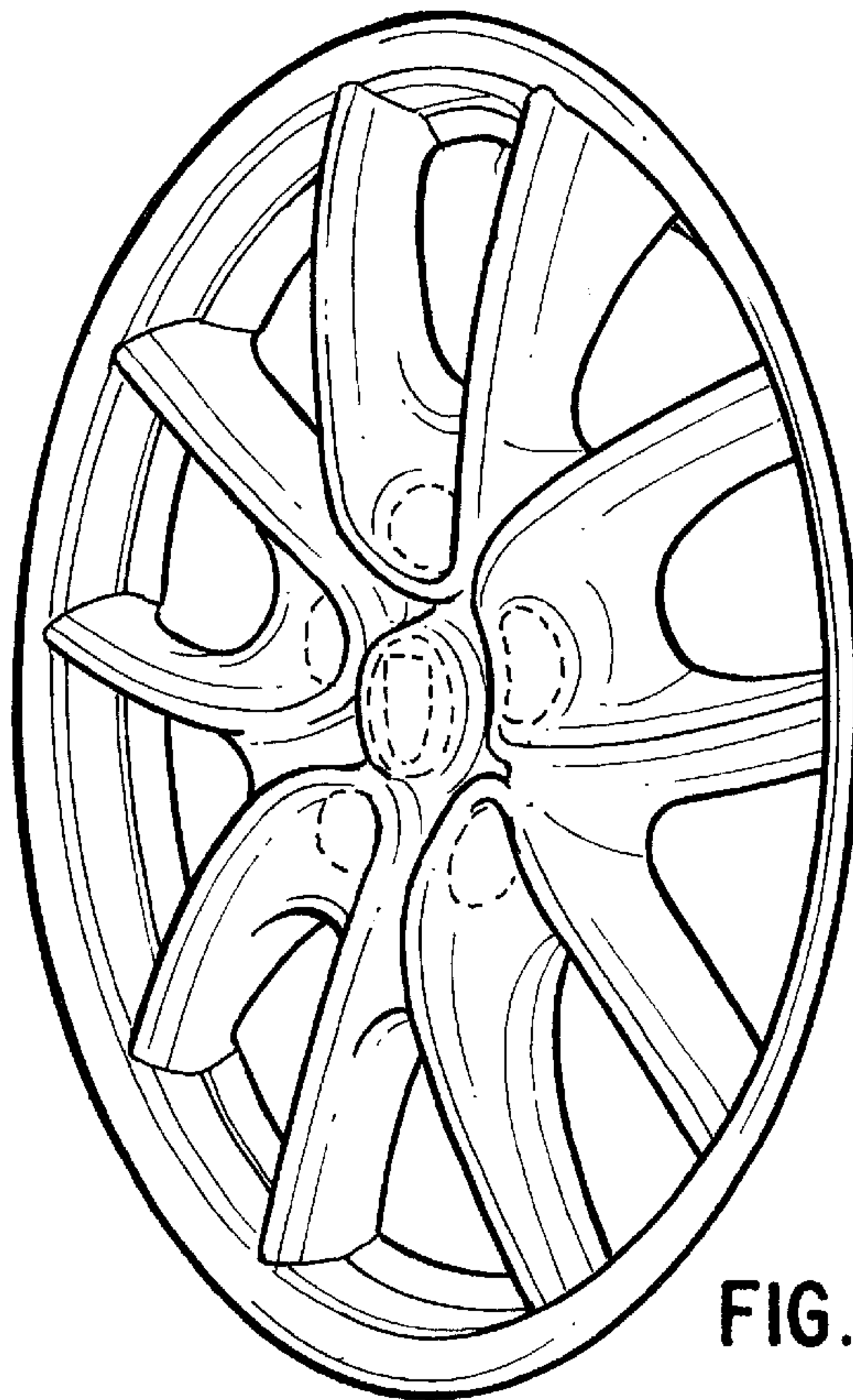


FIG. 2