



US00D488415S

(12) **United States Design Patent**
Gough

(10) **Patent No.:** **US D488,415 S**

(45) **Date of Patent:** **** Apr. 13, 2004**

(54) **EXHAUST GUARD**

D474,726 S * 5/2003 Weber et al. D12/196
D476,934 S * 7/2003 Murkett D12/196

(76) Inventor: **Ian Gough**, Lime Croft, Church End,
Ansley, CV 10 0QR (GB)

* cited by examiner

(**) Term: **14 Years**

Primary Examiner—Stacia Cadmus

(74) *Attorney, Agent, or Firm*—Nora M. Tocups, Esq.

(21) Appl. No.: **29/180,507**

(57) **CLAIM**

(22) Filed: **Apr. 24, 2003**

The ornamental design for an exhaust guard, as shown and described.

(51) **LOC (7) Cl.** **12-16**

(52) **U.S. Cl.** **D12/190**

(58) **Field of Search** D12/400, 194,
D12/190, 196, 90-92; 296/204-205; 280/847,
848; 180/69.1

DESCRIPTION

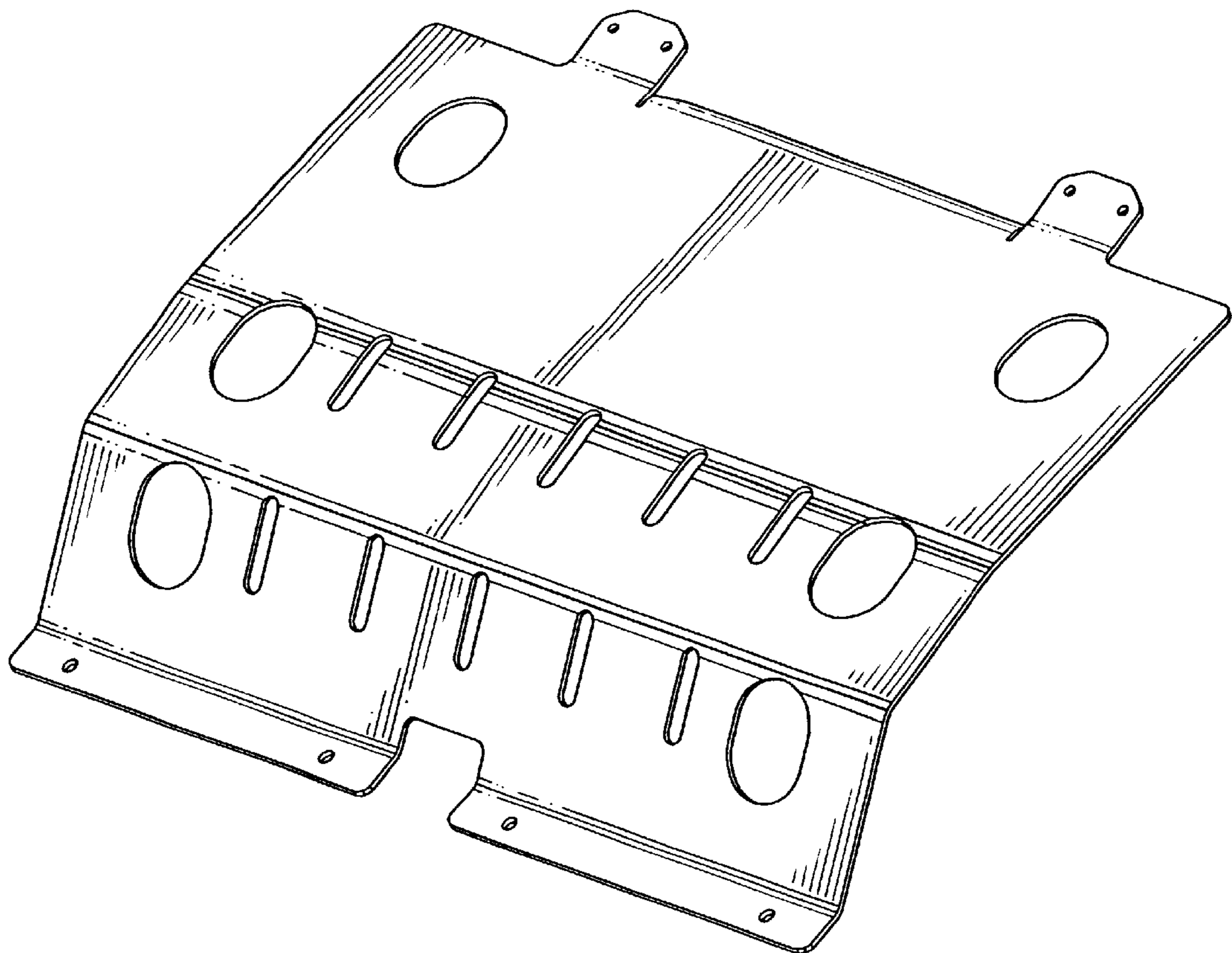
FIG. 1 is a perspective view from below of an exhaust guard showing my new design;
FIG. 2 is a perspective view from above of an exhaust guard.
FIG. 3 is a plan view from above of an exhaust guard
FIG. 4 is a plan view from below of an exhaust guard.
FIG. 5 is a rear view of an exhaust guard.
FIG. 6 is a front view of an exhaust guard.
FIG. 7 is a right hand side view of an exhaust guard; and,
FIG. 8 is a left hand side of an exhaust guard.

(56) **References Cited**

U.S. PATENT DOCUMENTS

D262,201 S * 12/1981 Bowman D12/86
D292,790 S * 11/1987 Schneck D12/190
D293,231 S * 12/1987 Schneck D12/190
D297,229 S * 8/1988 Sermersheim D12/190
5,992,926 A * 11/1999 Christofaro et al. 296/204

1 Claim, 3 Drawing Sheets



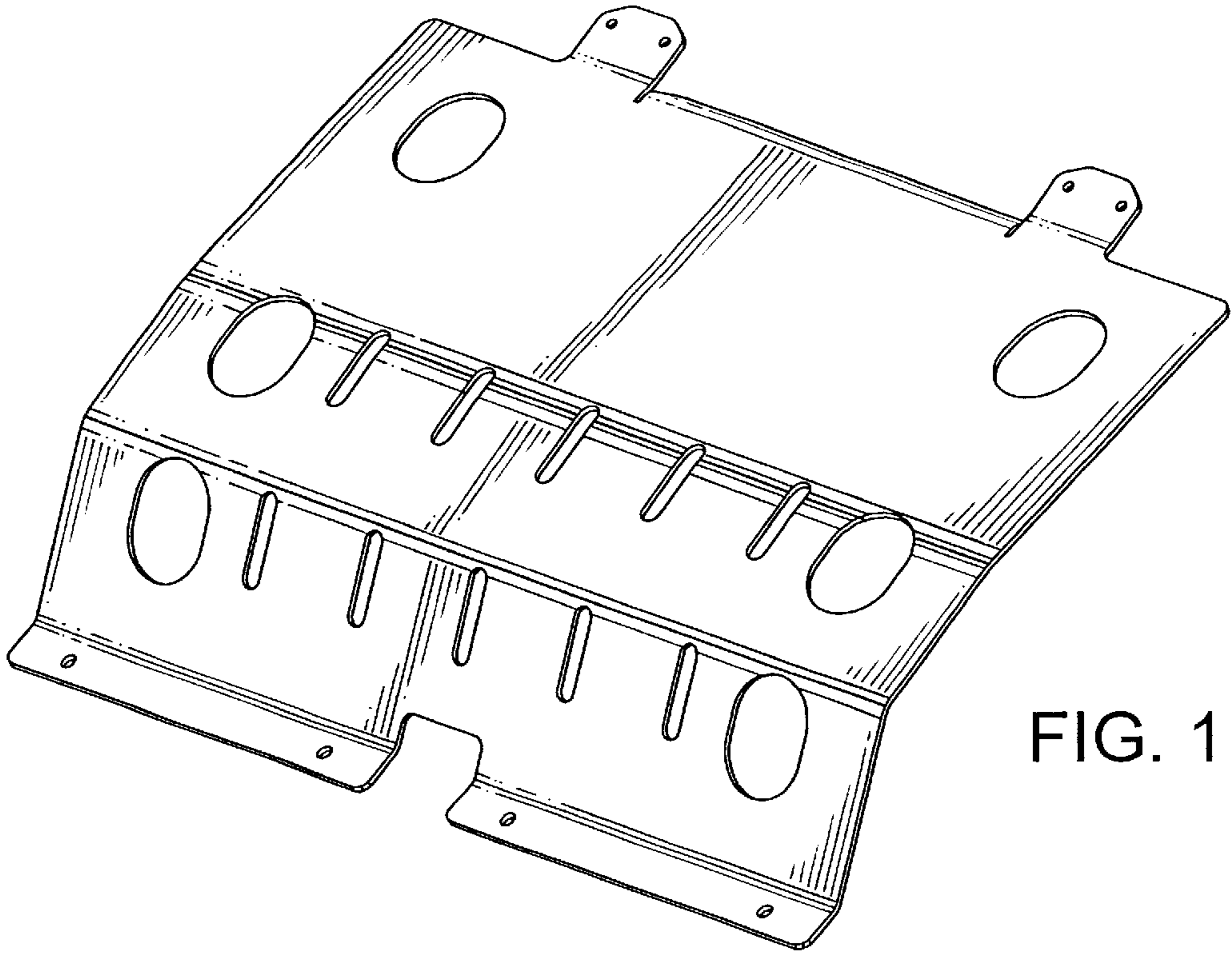


FIG. 1

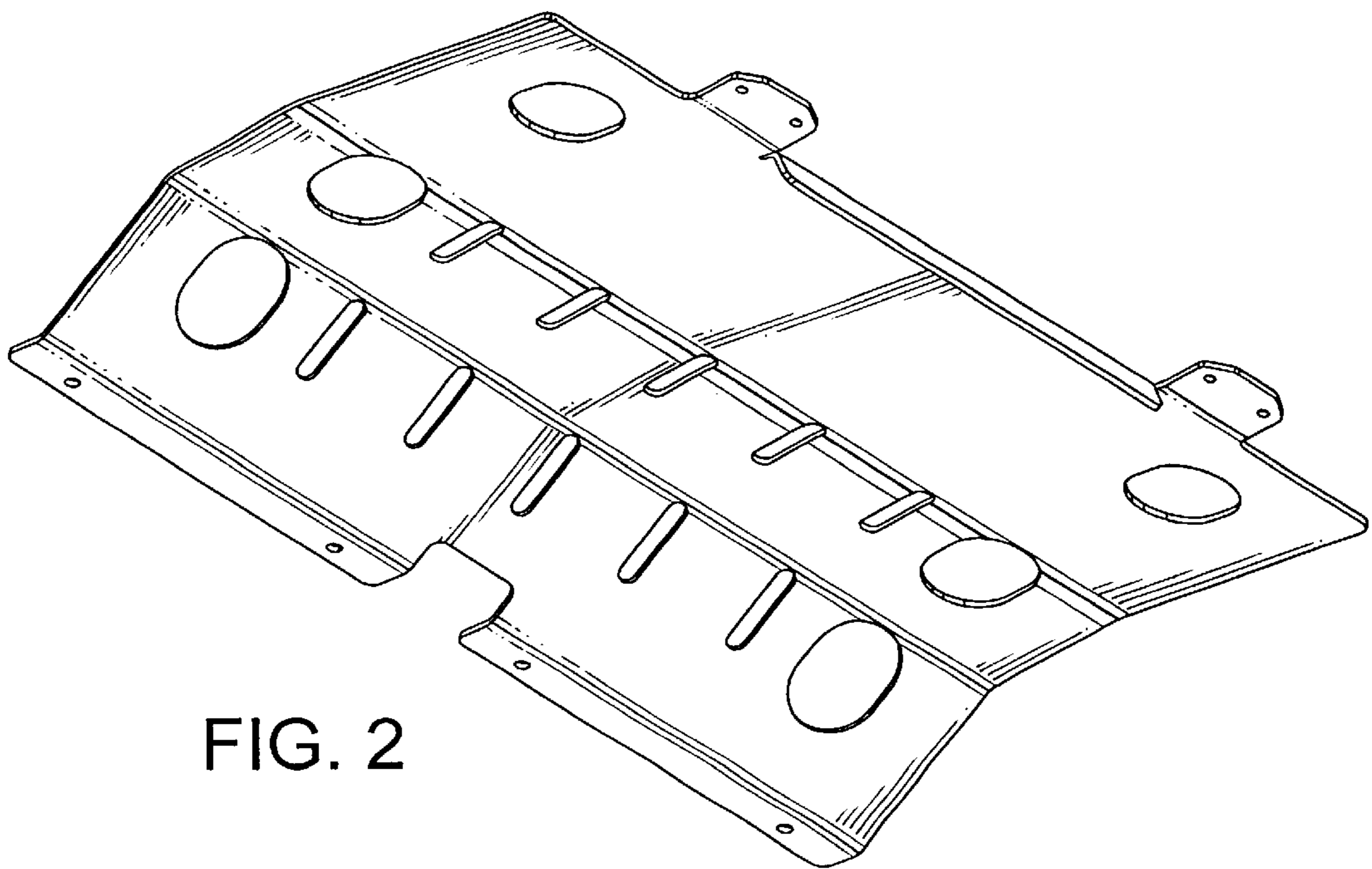


FIG. 2

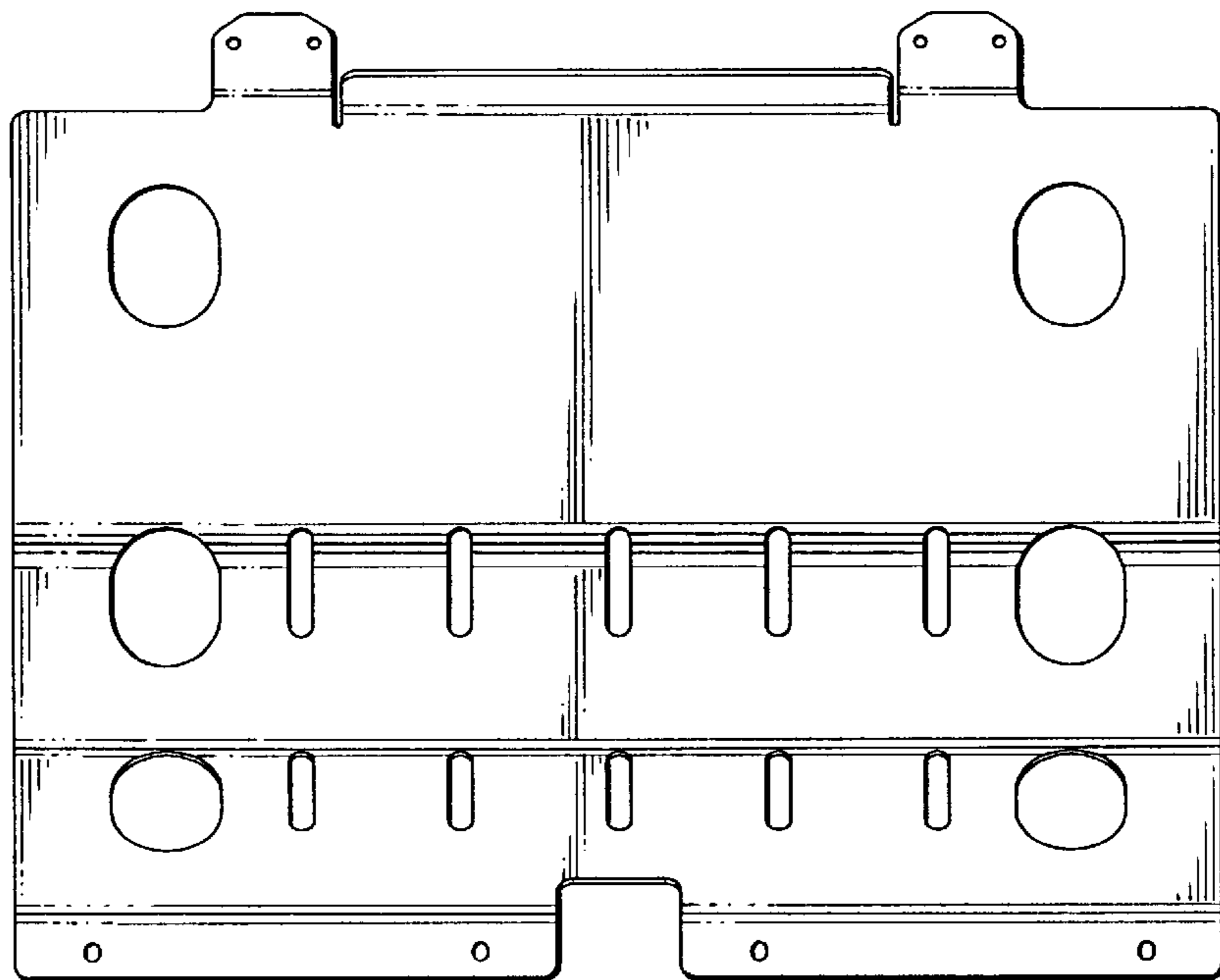


FIG. 3

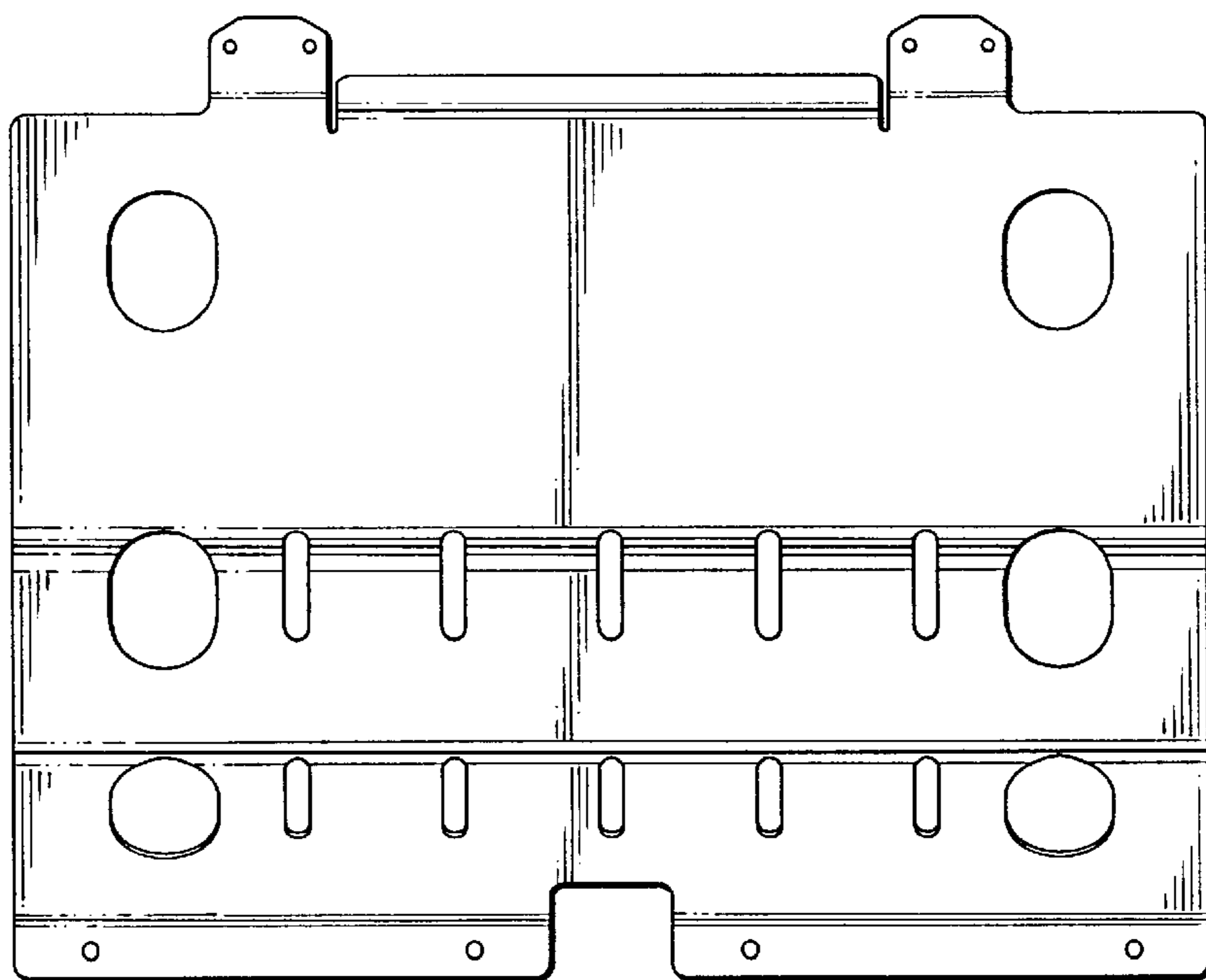


FIG. 4

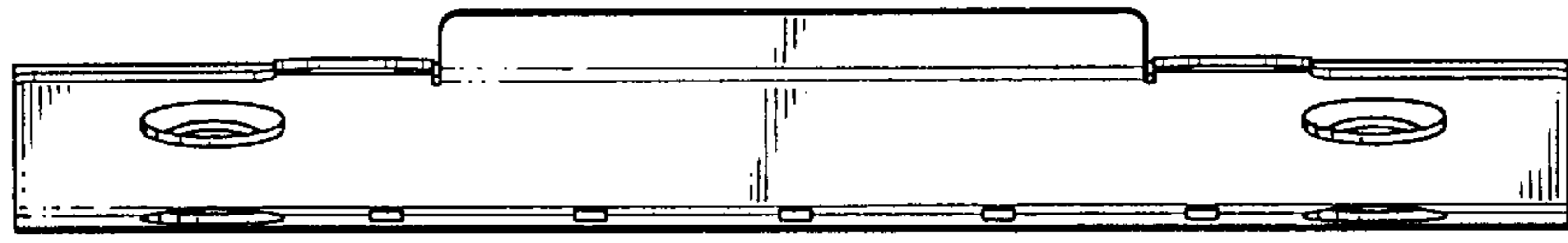


FIG. 5

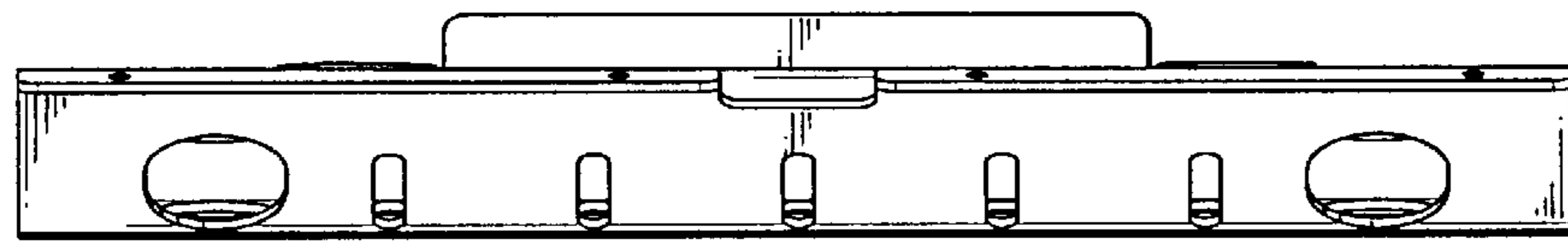


FIG. 6



FIG. 7



FIG. 8