



US00D488412S

(12) **United States Design Patent**  
**Lindenman et al.**

(10) **Patent No.:** **US D488,412 S**

(45) **Date of Patent:** **\*\* Apr. 13, 2004**

(54) **FIFTH WHEEL HEAD SUPPORT ASSEMBLY**

(75) Inventors: **Thomas W. Lindenman**, South Bend, IN (US); **Richard W. McCoy**, Granger, IN (US); **Anthony S. Roberts**, Granger, IN (US)

(73) Assignee: **Cequent Towing Products, Inc.**, Plymouth, MI (US)

(\*\*) Term: **14 Years**

(21) Appl. No.: **29/181,828**

(22) Filed: **May 15, 2003**

(51) **LOC (7) Cl.** ..... **12-16**

(52) **U.S. Cl.** ..... **D12/161**

(58) **Field of Search** ..... D12/161, 162, D12/400; 280/901, 437, 440-441, 438.1, 474, 415.1-418.1, 423.1, 433-434, 511; 298/20 A

(56) **References Cited**

**U.S. PATENT DOCUMENTS**

- D34,292 S \* 3/1901 Hagemeier ..... D12/161
- 3,392,992 A \* 7/1968 Baker et al. .... 280/438.1
- D317,743 S \* 6/1991 Chambers ..... D12/161

- 5,509,682 A 4/1996 Lindenman et al.
- 5,529,329 A 6/1996 McCoy
- D380,719 S 7/1997 Lindenman et al.
- D395,025 S 6/1998 Lindenman et al.
- D423,998 S 5/2000 Lindenman et al.
- 6,170,850 B1 \* 1/2001 Works ..... 280/433
- 6,398,249 B1 \* 6/2002 Lindenman et al. .... 280/434

\* cited by examiner

*Primary Examiner*—Stacia Cadmus

(74) *Attorney, Agent, or Firm*—King & Schickli, PLLC

(57) **CLAIM**

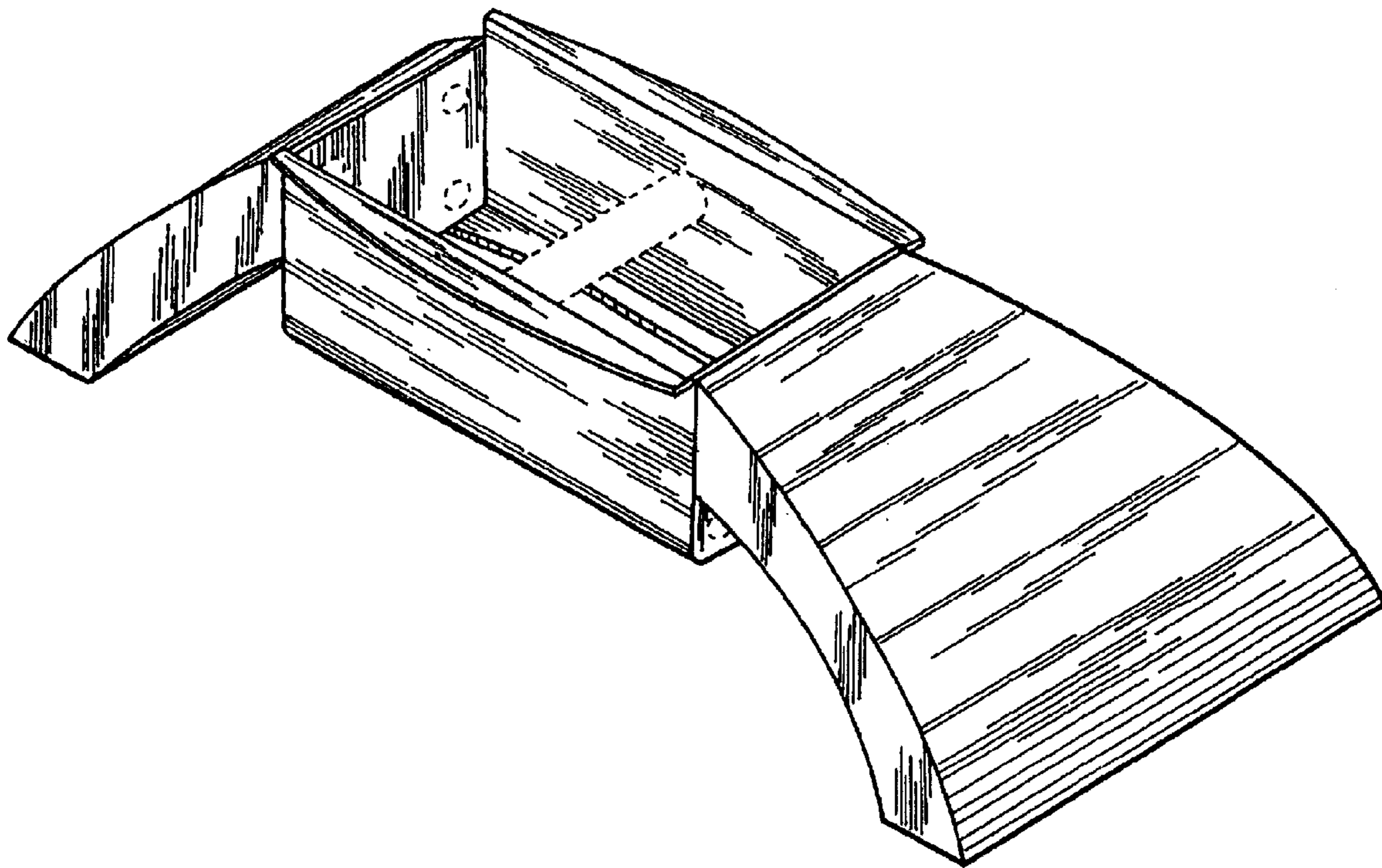
The ornamental design of a fifth wheel head support assembly, shown and described.

**DESCRIPTION**

FIG. 1 is a perspective view of the fifth wheel head support assembly of the present invention; FIG. 2 is a rear elevational view, the front elevational view being a substantial mirror image thereof; FIG. 3 is a left side elevational view, the right side elevational view being a substantial mirror image thereof; and, FIG. 4 is a top plan view thereof.

The broken line showing of environment is for illustrative purposes only and forms no part of the claimed design.

**1 Claim, 2 Drawing Sheets**



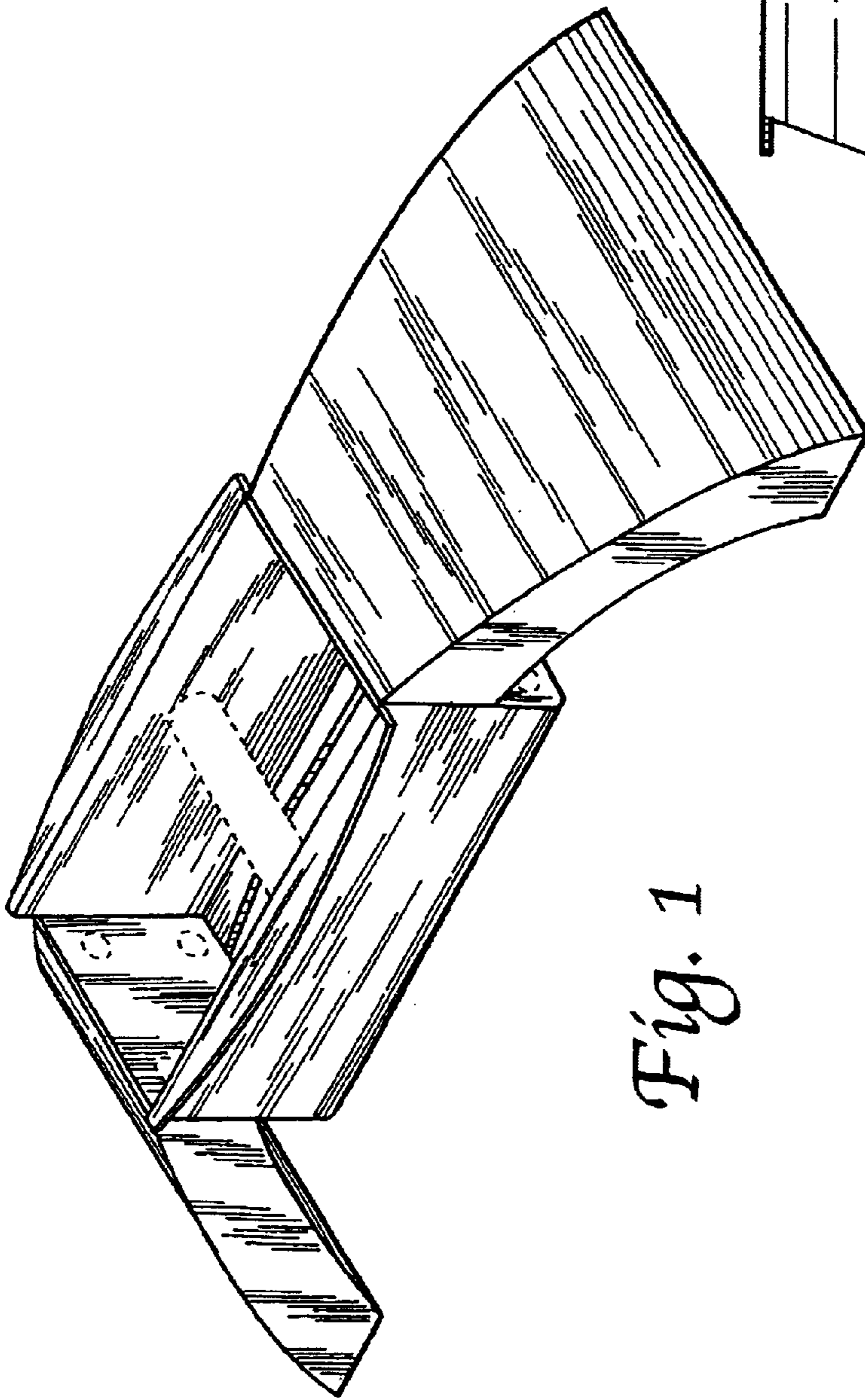
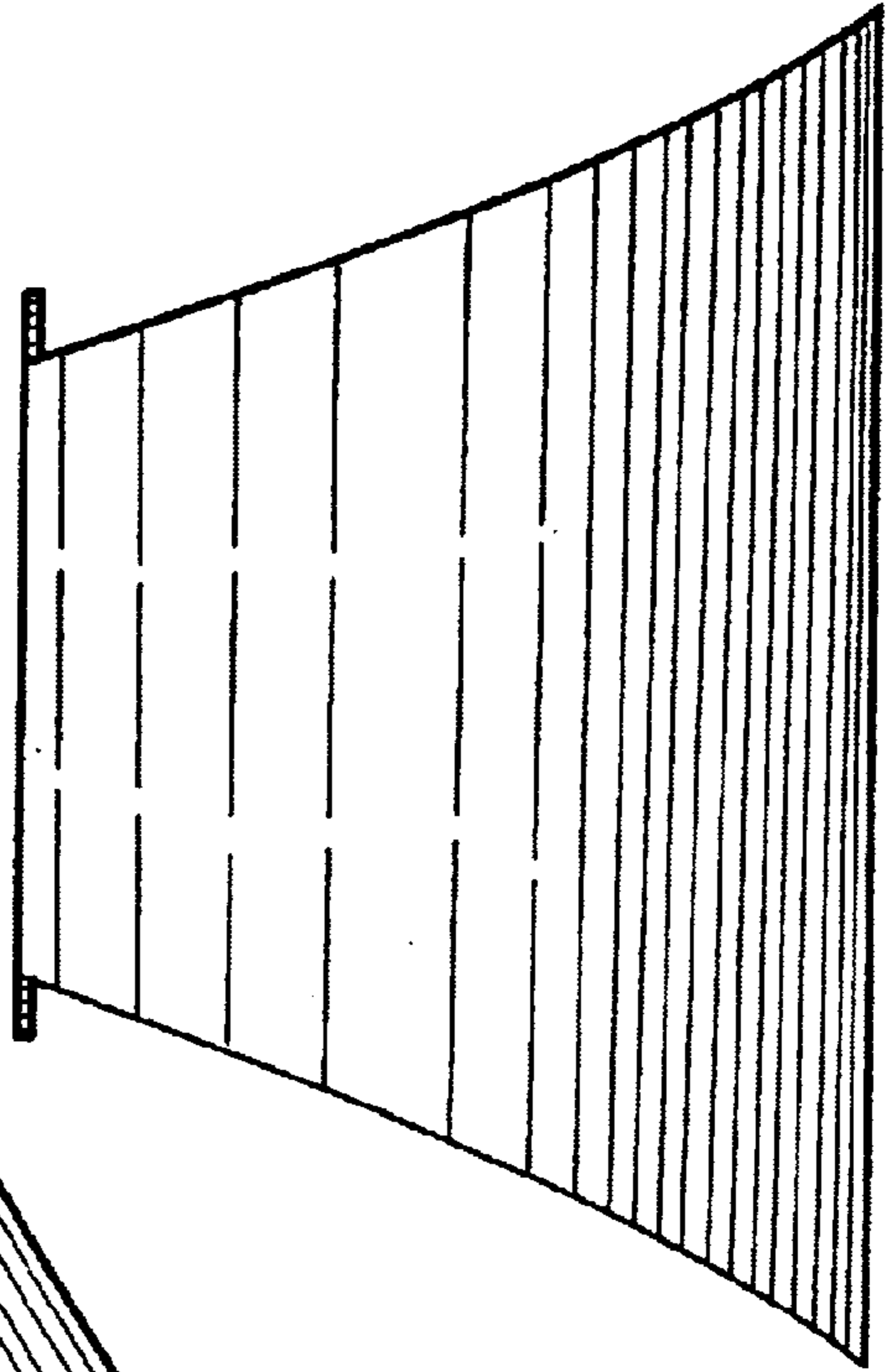
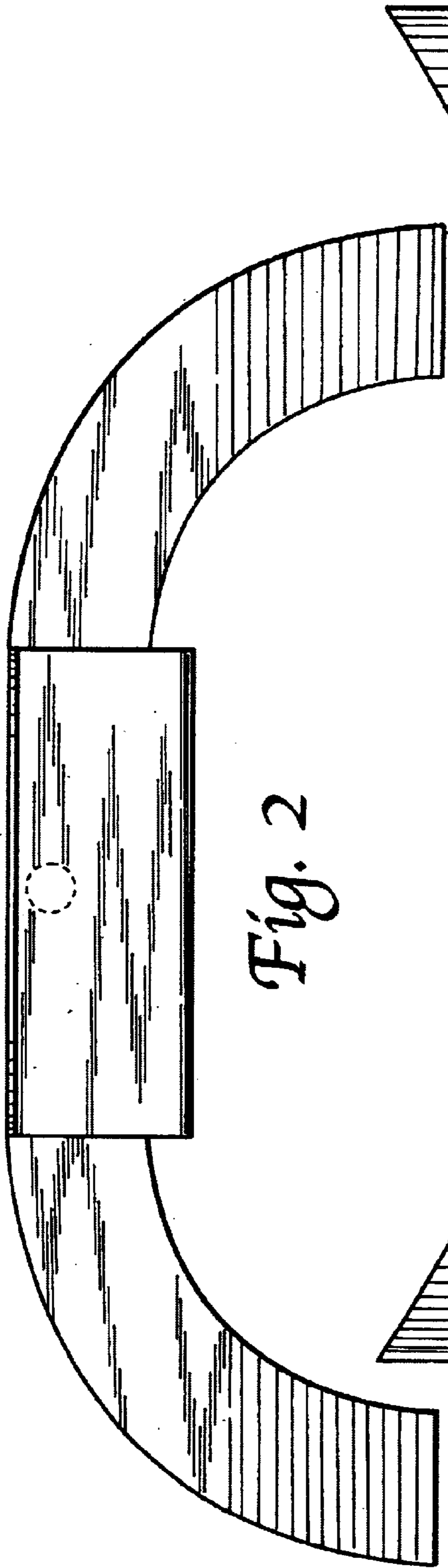


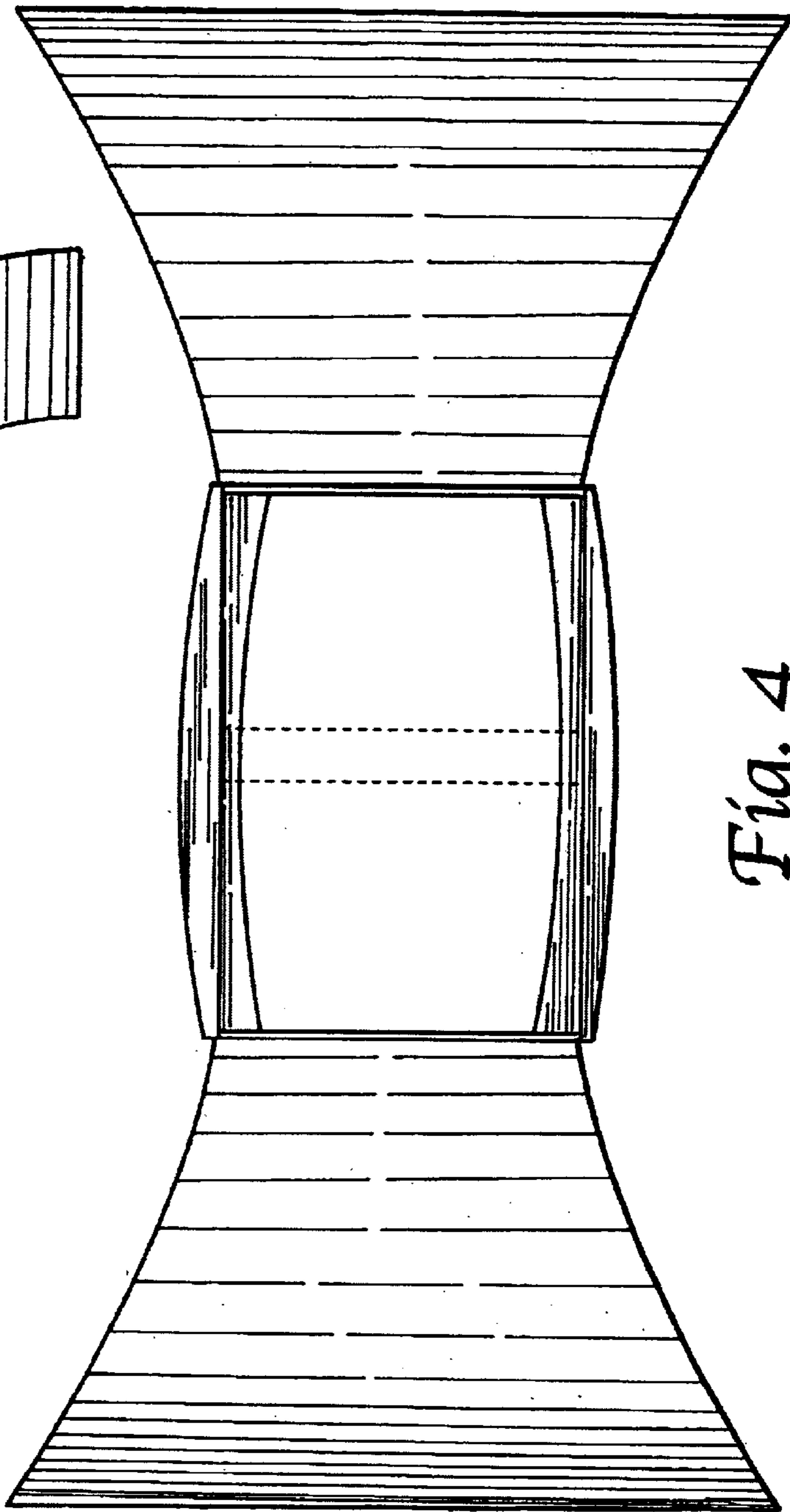
Fig. 1

Fig. 3





*Fig. 2*



*Fig. 4*