



US00D488408S

(12) **United States Design Patent**  
**Carli**

(10) **Patent No.:** **US D488,408 S**

(45) **Date of Patent:** **\*\* Apr. 13, 2004**

(54) **MOTORCYCLE AIR CLEANER COVER**

(57) **CLAIM**

(76) **Inventor:** **Charles A. Carli**, 16184 Chipeta Rd.,  
Montrose, CO (US) 81401

The ornamental design for a motorcycle air cleaner cover, as shown and described.

(\*\*) **Term:** **14 Years**

**DESCRIPTION**

(21) **Appl. No.:** **29/171,482**

FIG. 1 shows a perspective view of an exemplary first embodiment of a motorcycle air cleaner cover showing my new design;

(22) **Filed:** **Nov. 22, 2002**

FIG. 2 is a top plan view of the first embodiment of FIG. 1; FIG. 3 is a right side elevation view of the first embodiment of FIG. 1;

(51) **LOC (7) Cl.** ..... **12-11**

(52) **U.S. Cl.** ..... **D12/126**

(58) **Field of Search** ..... D12/110, 114,  
D12/126; D15/1, 3, 5; 123/198 E, 195 C;  
280/288.4, 304.3; 180/219

FIG. 4 is a front elevation view of the first embodiment of FIG. 1;

FIG. 5 is a bottom plan view of the first embodiment of FIG. 1;

(56) **References Cited**

**PUBLICATIONS**

FIG. 6 is a perspective view of an exemplary second embodiment of the design;

FIG. 7 is a top plan view of FIG. 6;

FIG. 8 is a right side elevation view of FIG. 6;

FIG. 9 is a bottom plan view of FIG. 6;

Custom Chrome 1999, Inferno® Collection Air Cleaner Cover on p. 2.10.\*

\* cited by examiner

*Primary Examiner*—Alan P. Douglas

*Assistant Examiner*—Linda Brooks

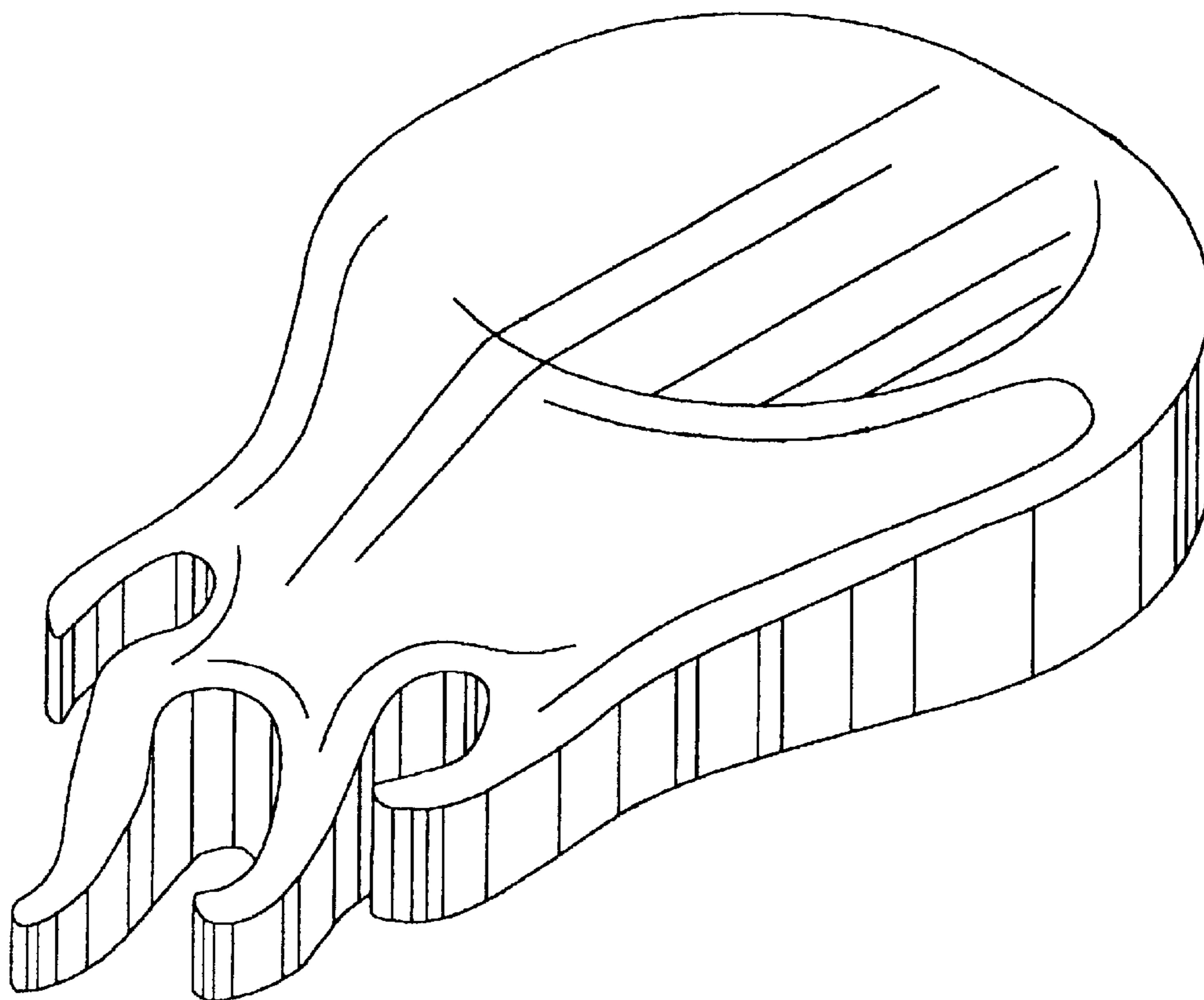
(74) *Attorney, Agent, or Firm*—Crossler Patent Law; Mark A. Crossley

FIG. 10 is a perspective view of an exemplary third embodiment of my Design;

FIG. 11 is a top plan view of FIG. 10; and,

FIG. 12 is a bottom view of FIG. 10.

**1 Claim, 12 Drawing Sheets**



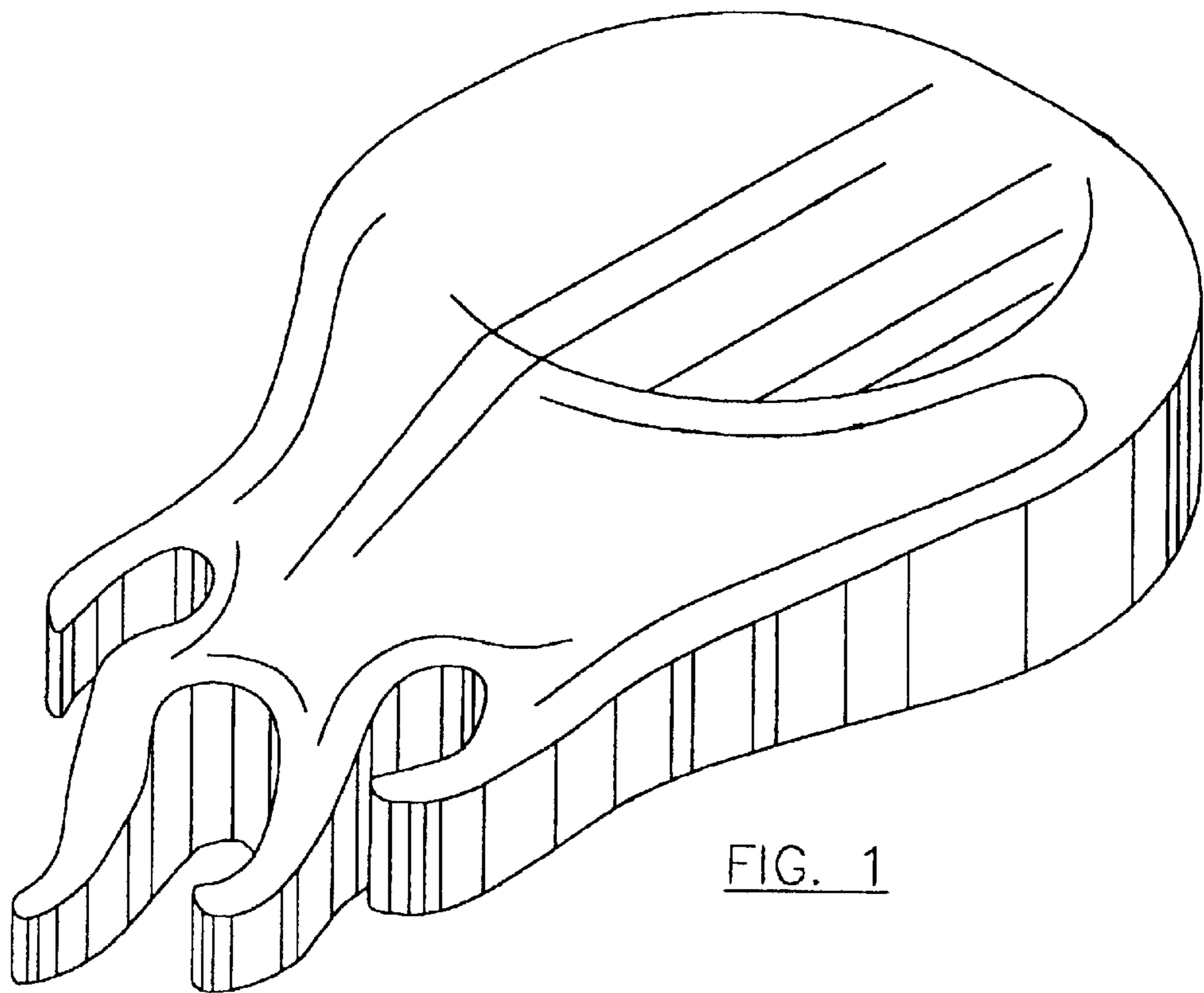


FIG. 1

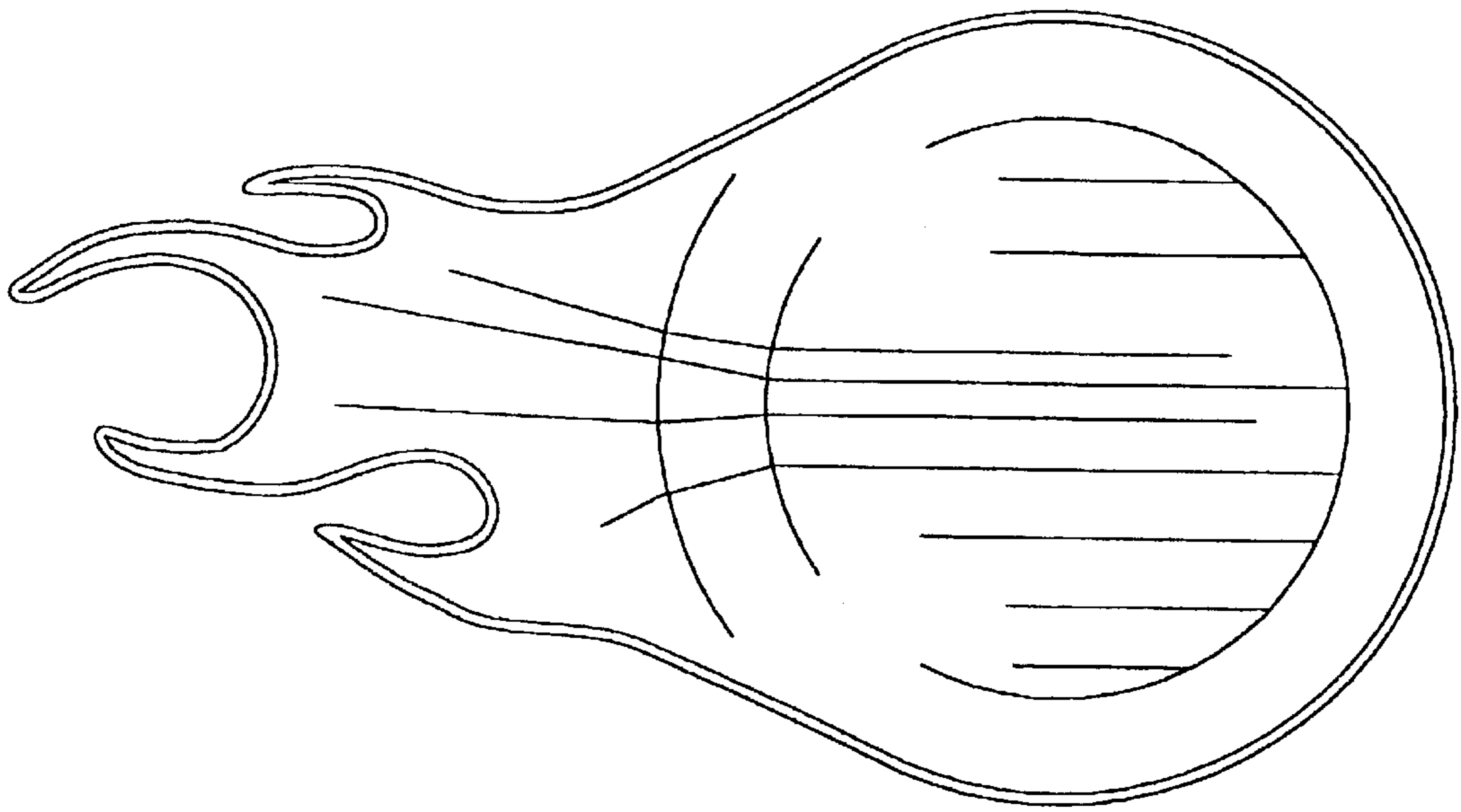


FIG. 2

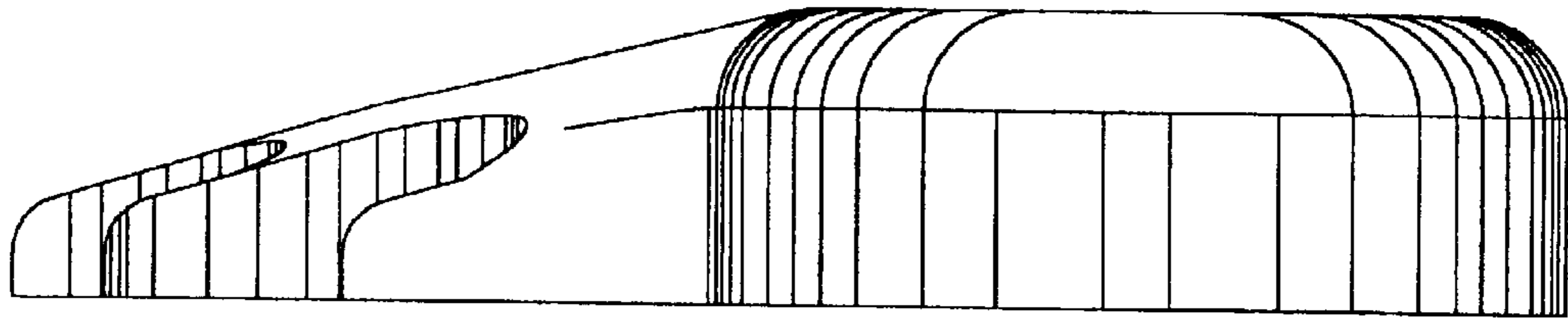


FIG. 3

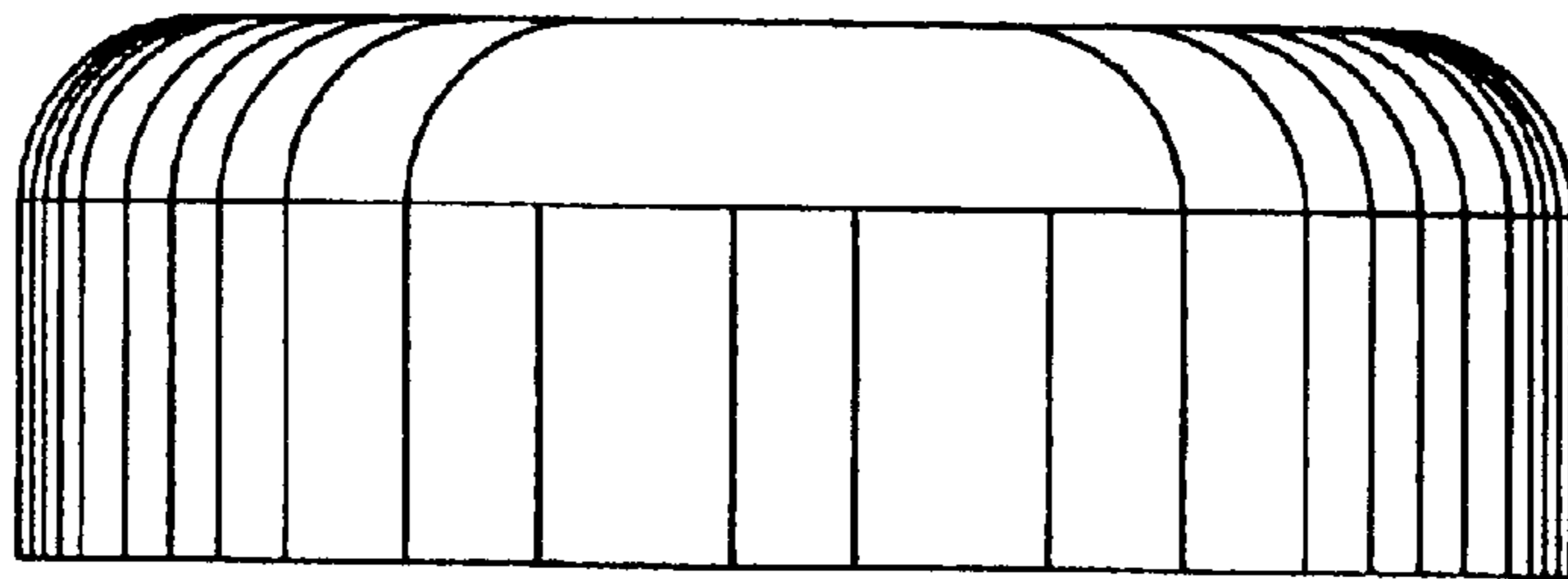


FIG. 4

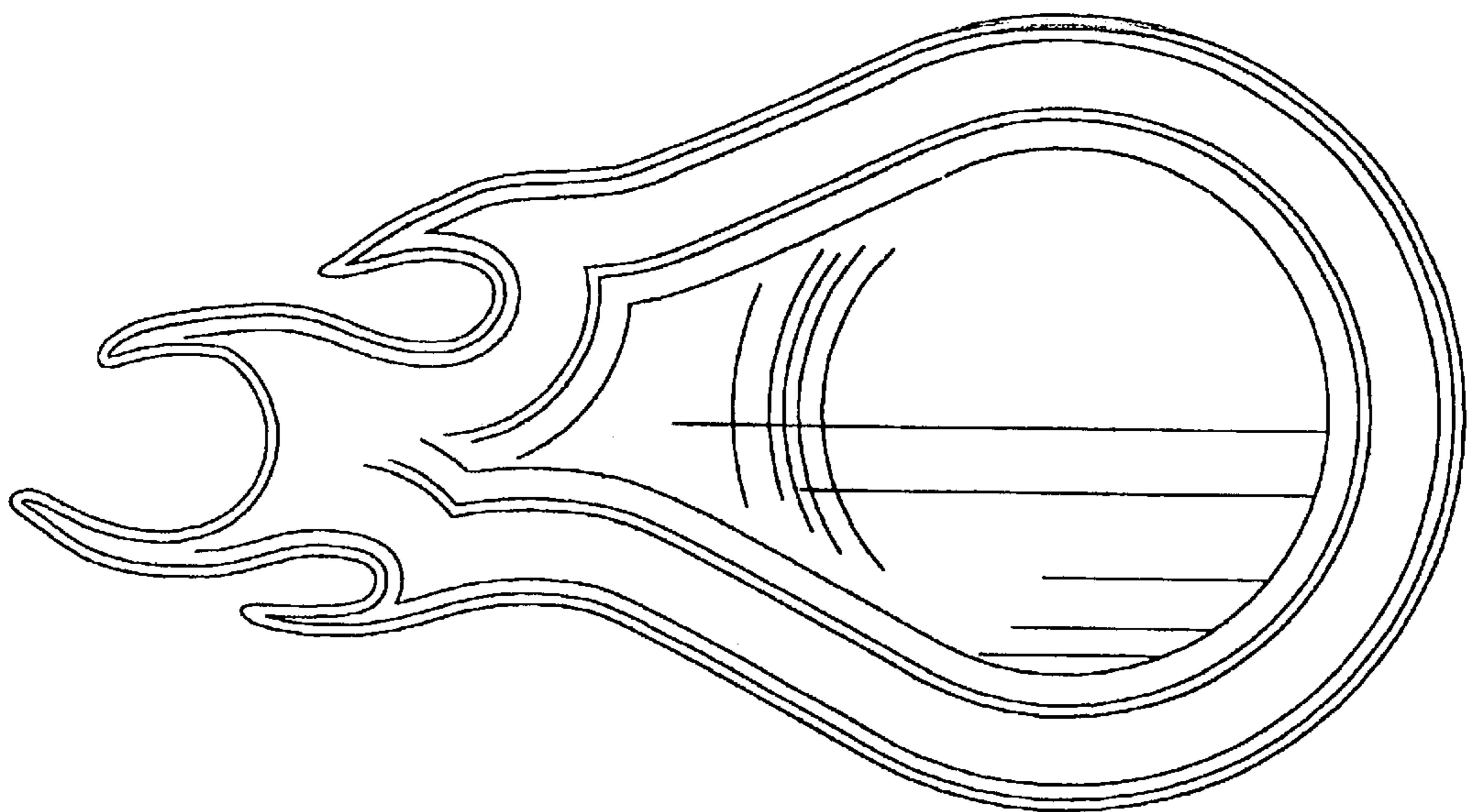


FIG. 5

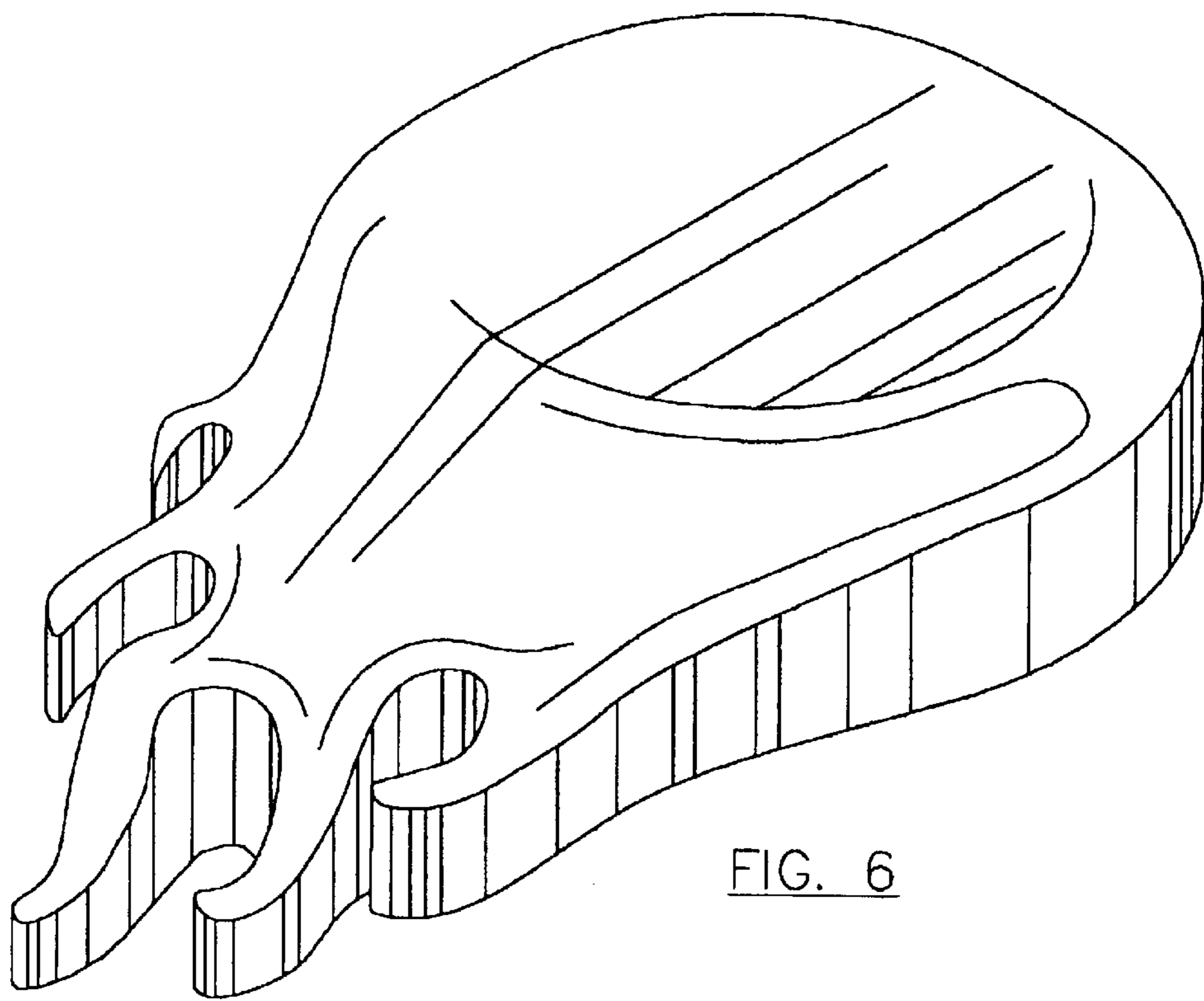


FIG. 6

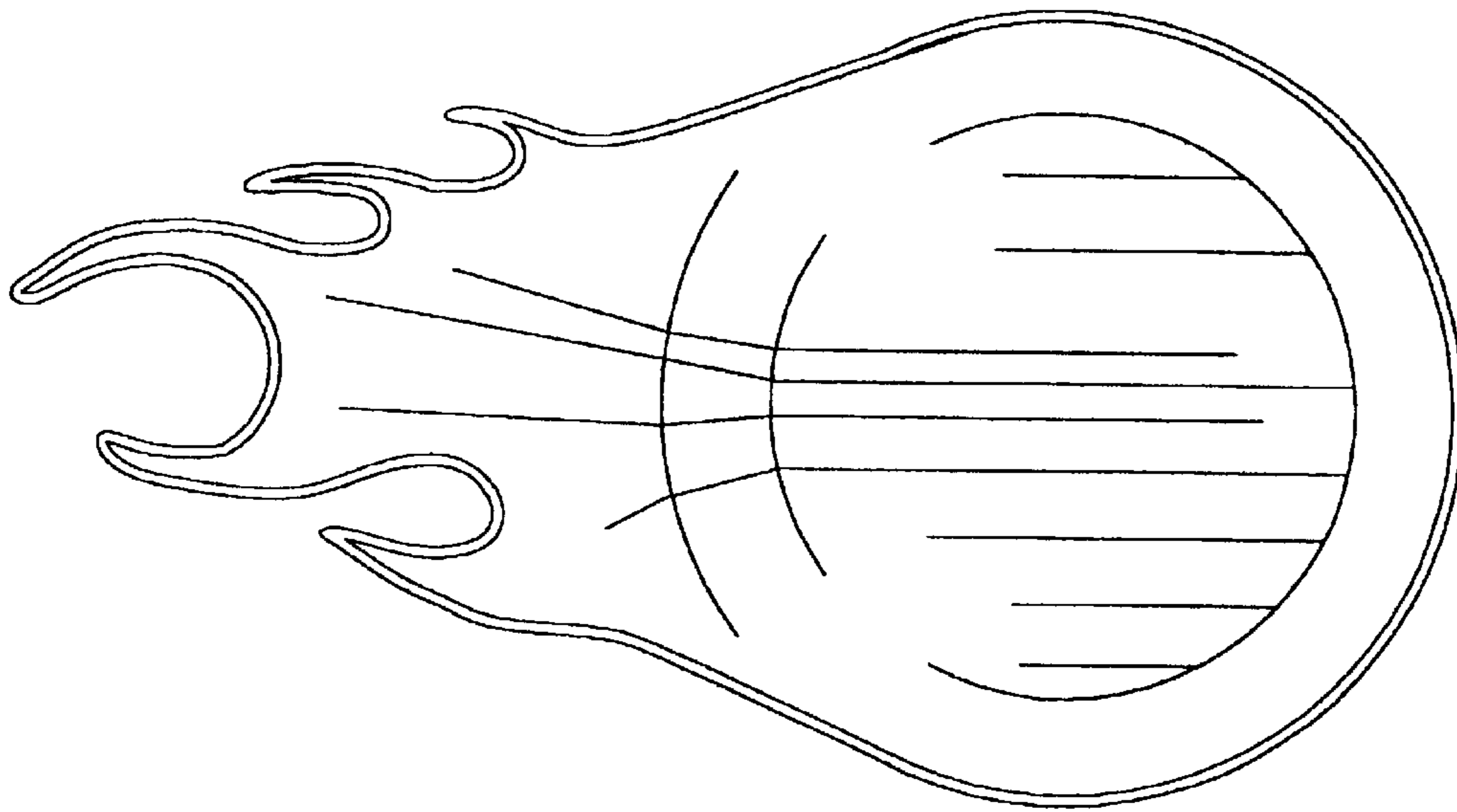


FIG. 7



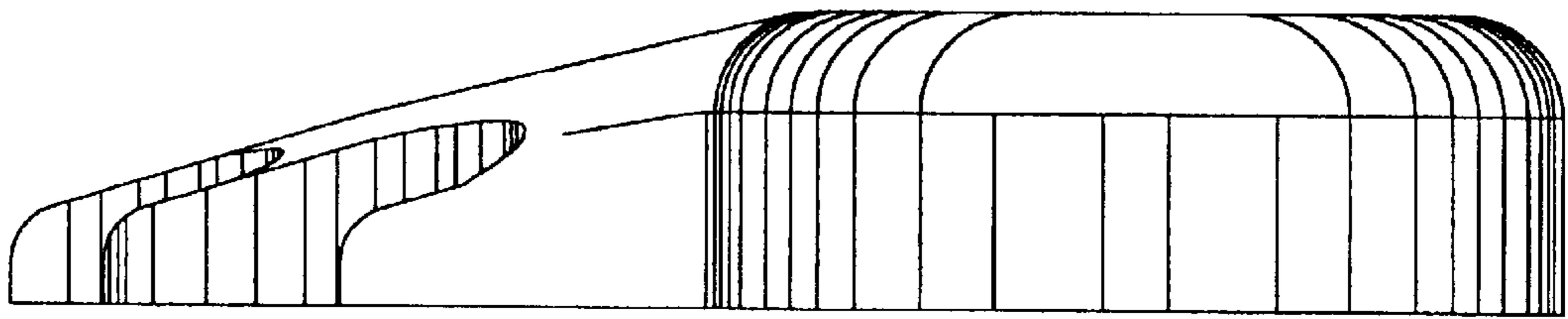


FIG. 8

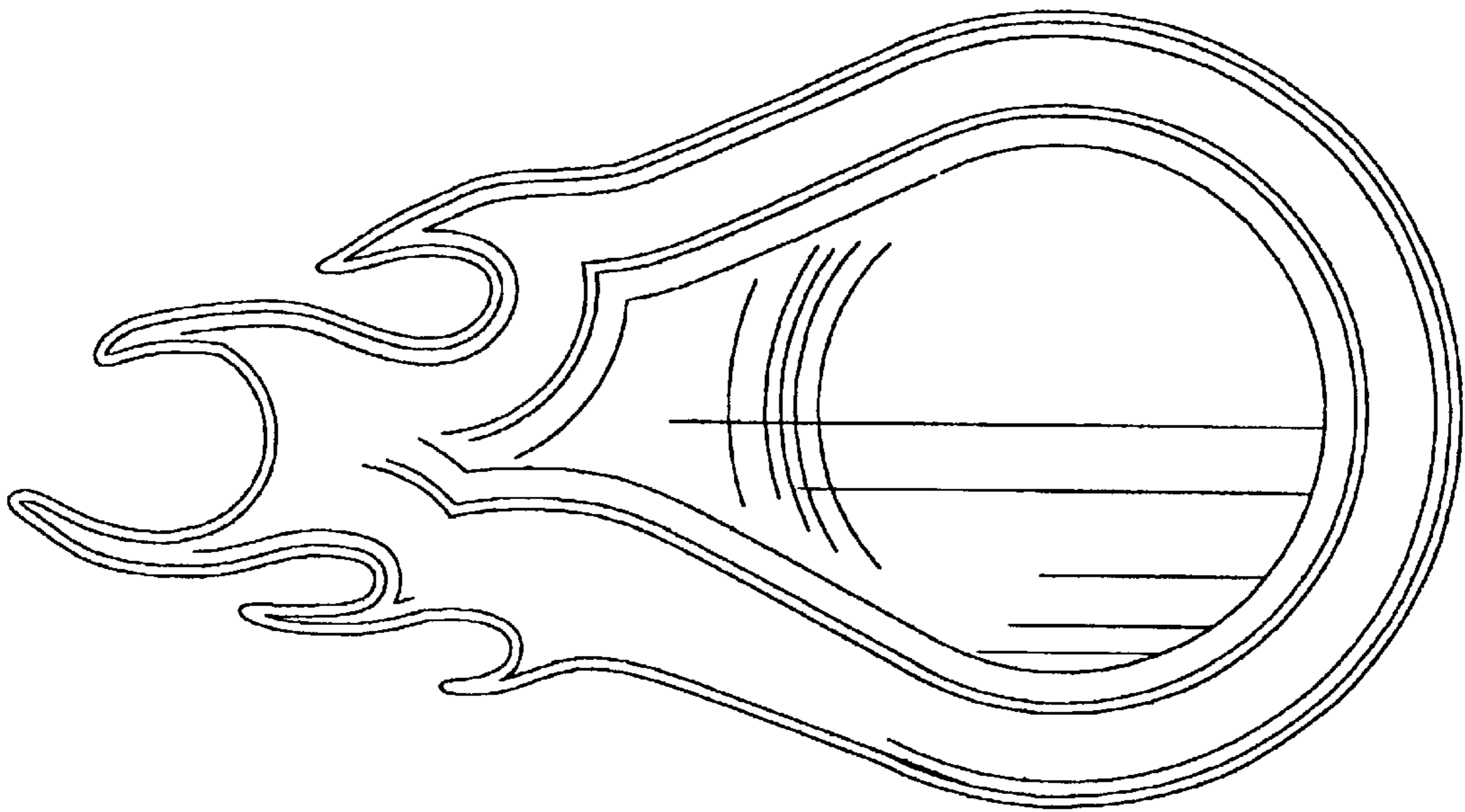


FIG. 9

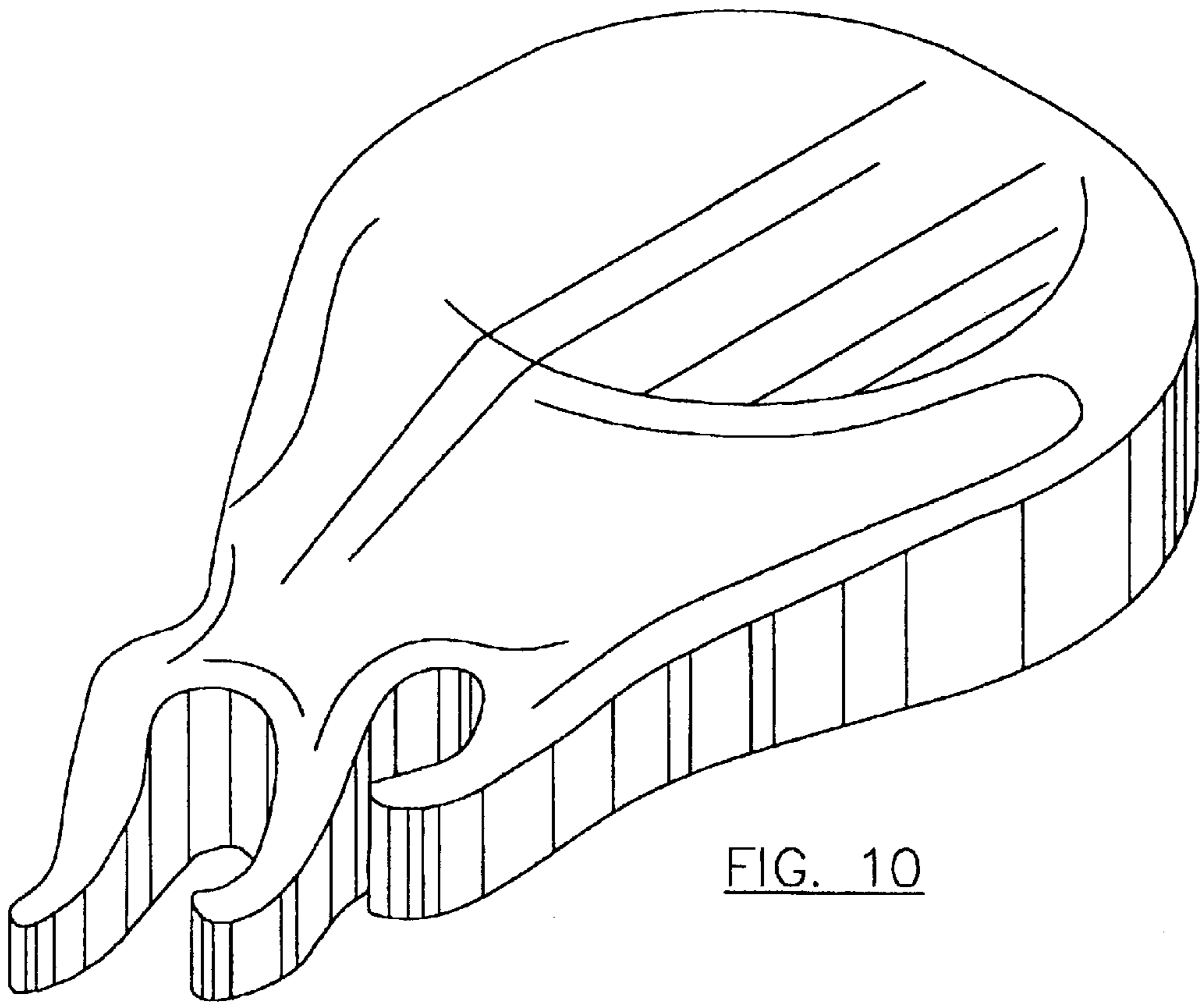


FIG. 10

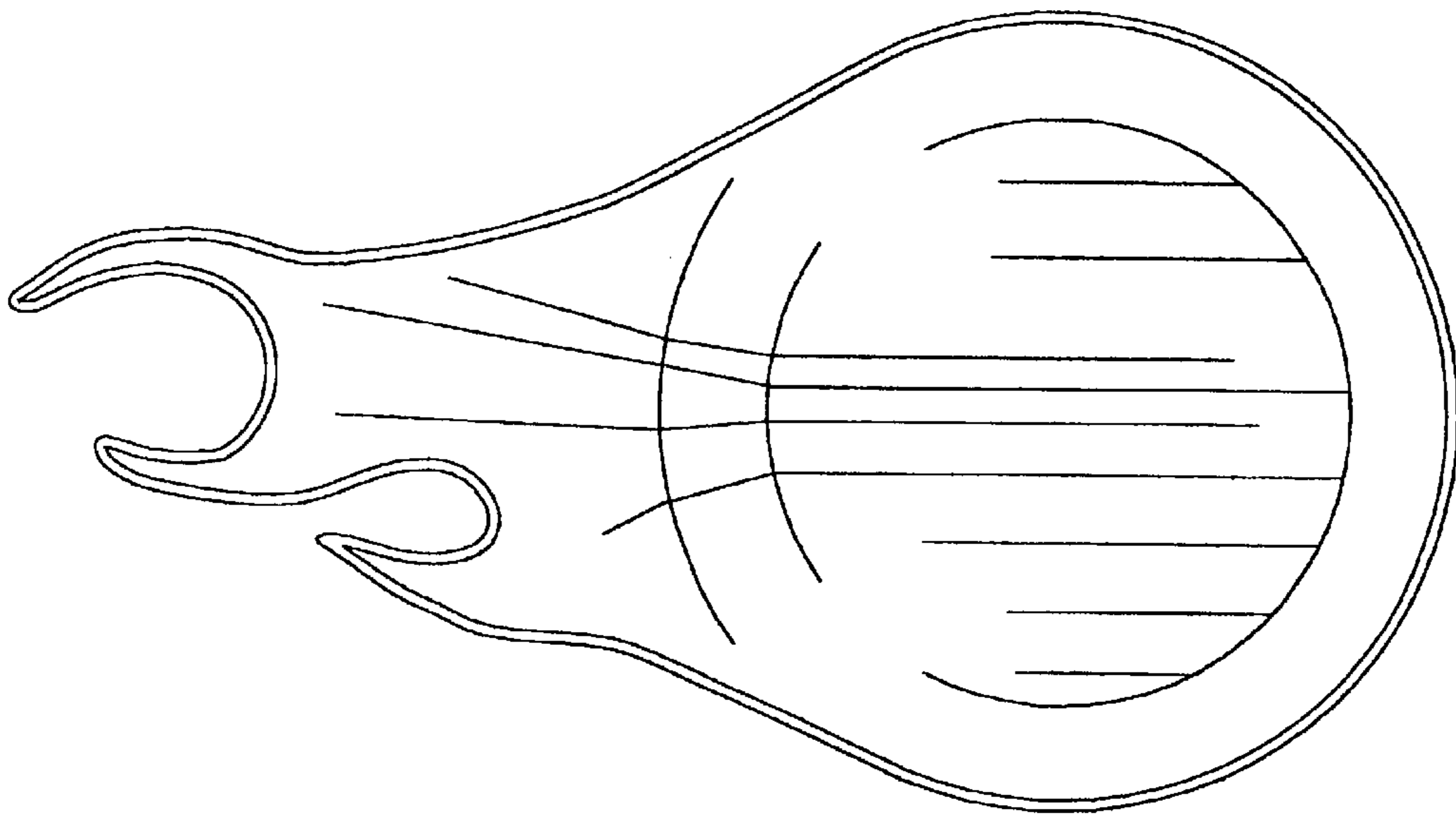


FIG. 11

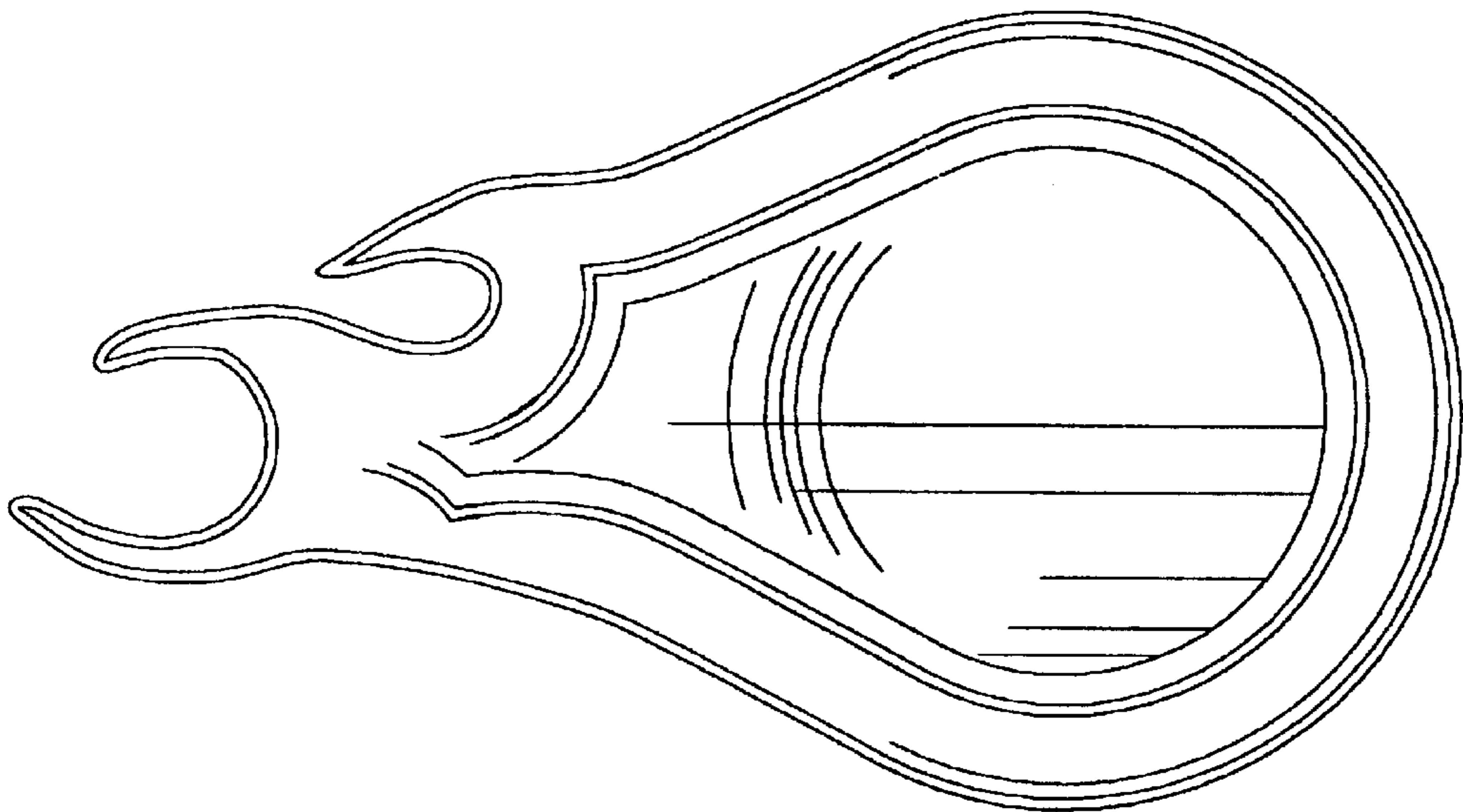


FIG. 12