



US00D488407S

(12) **United States Design Patent**  
**Wright**

(10) **Patent No.:** **US D488,407 S**

(45) **Date of Patent:** **\*\* Apr. 13, 2004**

(54) **FOOT PEG FOR A MOTORCYCLE OR ALL TERRAIN VEHICLE**

(75) Inventor: **Scott Wright**, Yucaipa, CA (US)

(73) Assignee: **Josco, LLC**, Calimesa, CA (US)

(\*\*) Term: **14 Years**

(21) Appl. No.: **29/188,528**

(22) Filed: **Aug. 21, 2003**

**Related U.S. Application Data**

(62) Division of application No. 29/155,181, filed on Feb. 7, 2002, now abandoned.

(51) **LOC (7) Cl.** ..... **12-11**

(52) **U.S. Cl.** ..... **D12/125**

(58) **Field of Search** ..... D12/110, 114,  
D12/123, 125, 223; 296/75; 74/478, 560,  
564, 594.4, 594.6, 594.7; 280/291, 281.1,  
293, 288.1–288.4; 180/219

(56) **References Cited**

**U.S. PATENT DOCUMENTS**

D282,652 S	2/1986	Nista .....	D12/125
D299,222 S	1/1989	Feamster, III et al. ....	D12/125
D302,260 S	7/1989	Schieferstein .....	D12/125
D302,668 S	* 8/1989	Chouan .....	D12/125
D320,369 S	10/1991	Feamster, III et al. ....	D12/125
D401,535 S	11/1998	Joseph, Jr. ....	D12/114

\* cited by examiner

*Primary Examiner*—Alan P. Douglas

*Assistant Examiner*—Linda Brooks

(74) *Attorney, Agent, or Firm*—John F. Feldsted

(57) **CLAIM**

The ornamental design for a foot peg for a motorcycle or an all terrain vehicle, as shown and described.

**DESCRIPTION**

FIG. 1 is a top frontal perspective view of the foot peg with mounting lugs shown to the left and a foot retainer shown to the right;

FIG. 2 is a top plan view with mounting lugs shown to the left;

FIG. 3 is a front elevation view with mounting lugs shown to the left;

FIG. 4 is a bottom view with mounting lugs shown to the left and the foot retainer shown to the right;

FIG. 5 is a rear elevation with mounting lugs to the right and a foot retainer to its left;

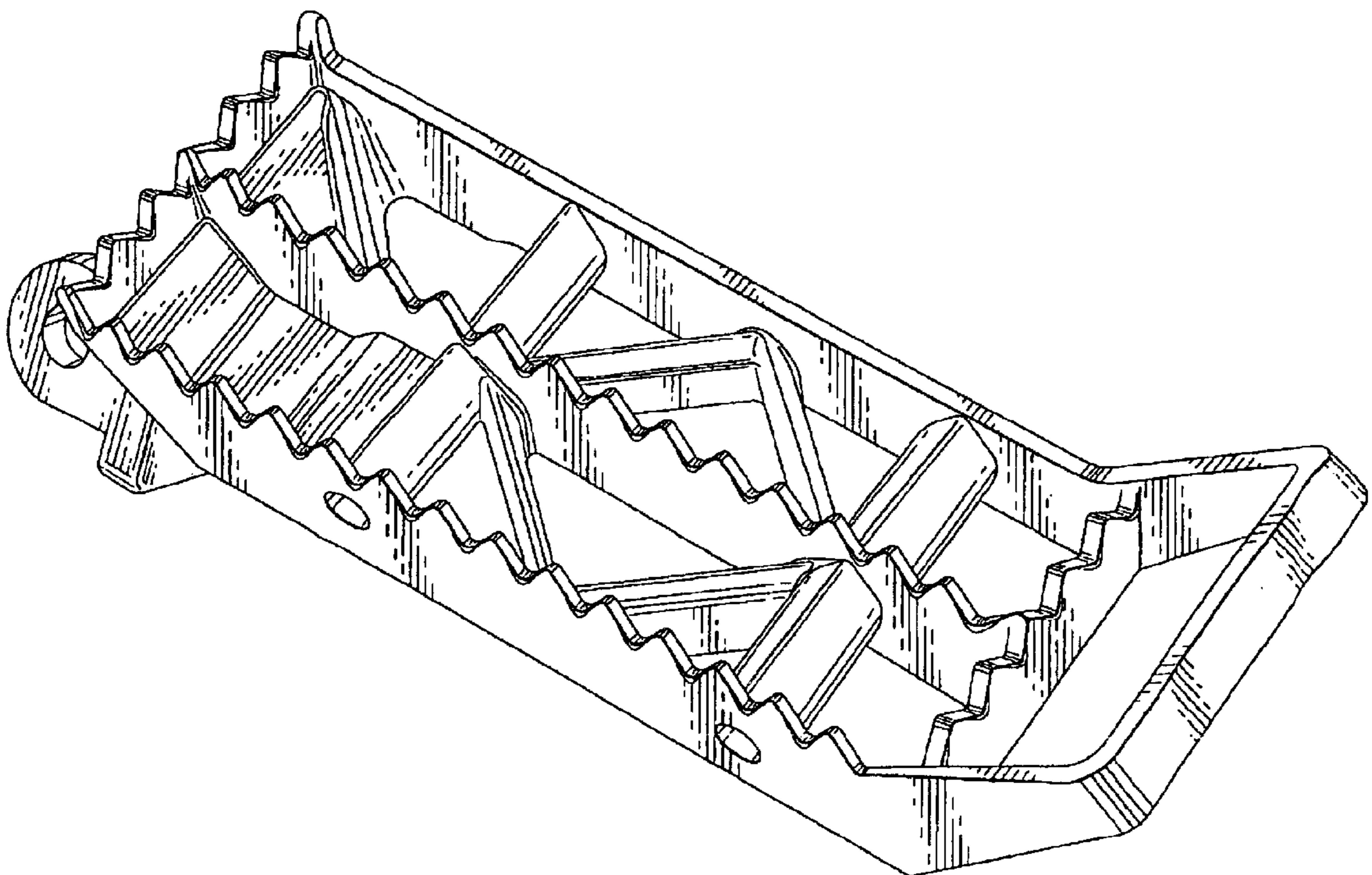
FIG. 6 is an end view looking from the foot retainer end;

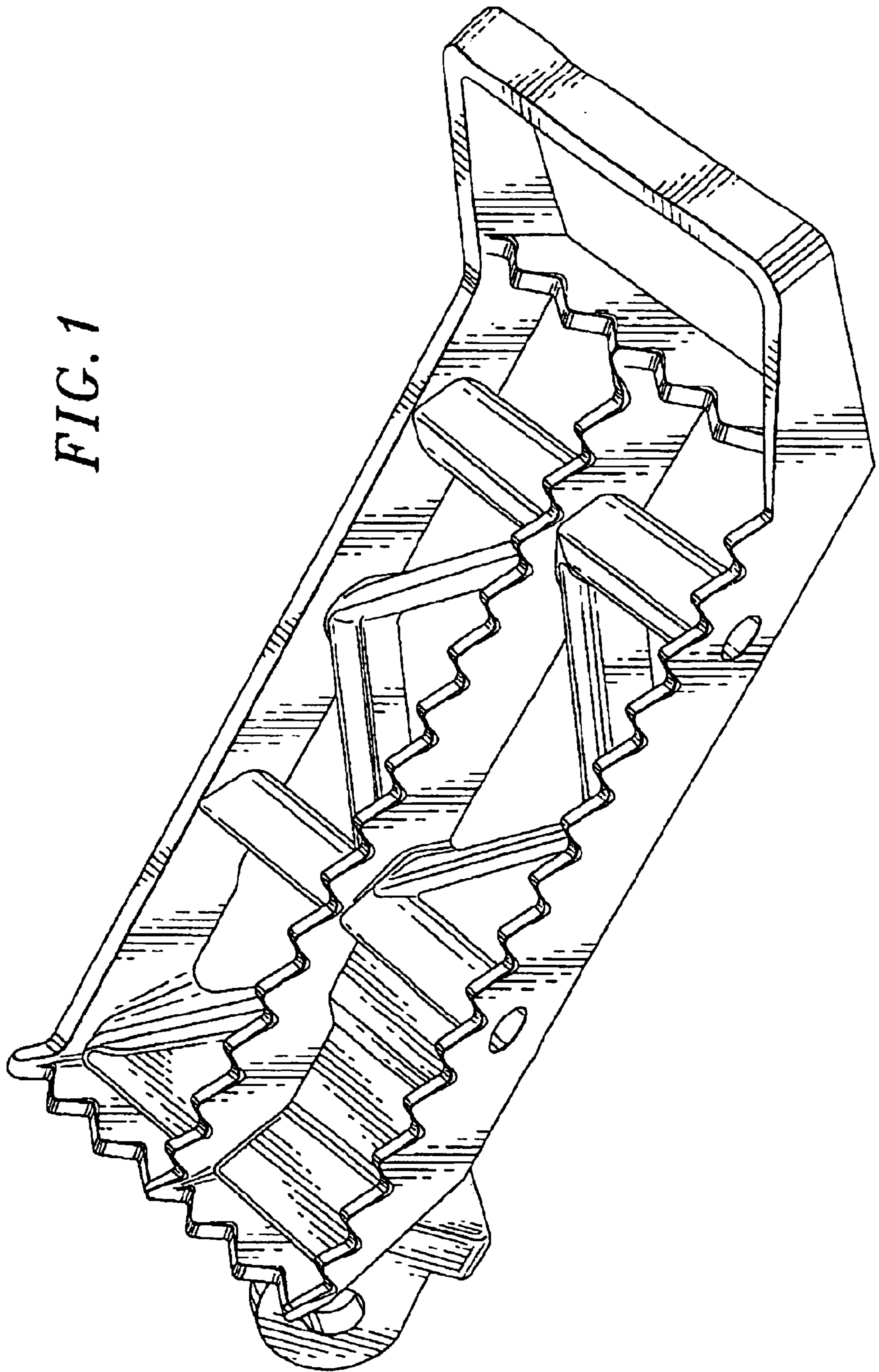
FIG. 7 is an end view looking from its mounting lug end;

FIG. 8 is an enlarged top view of a section of the foot peg showing a serrated upper surface of the foot peg with interstitial areas that have curved and beveled surfaces; and,

FIG. 9 is an enlarged side view of a section of the foot peg showing a serrated upper surface of the foot peg with interstitial areas that have curved and beveled surfaces.

**1 Claim, 5 Drawing Sheets**





*FIG. 1*

FIG. 2

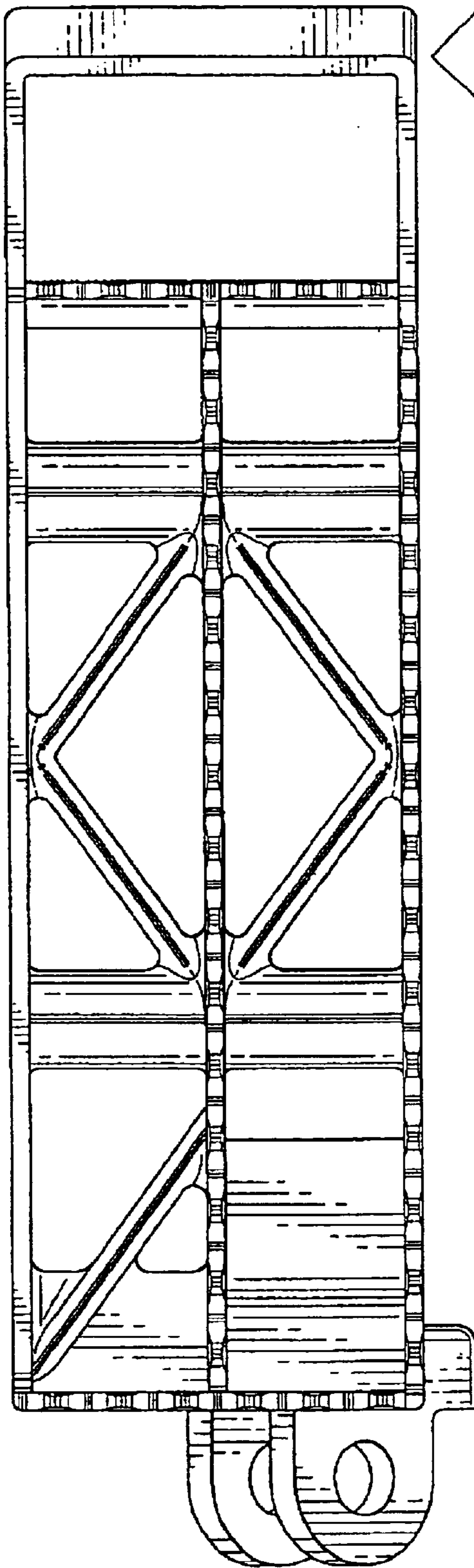


FIG. 3

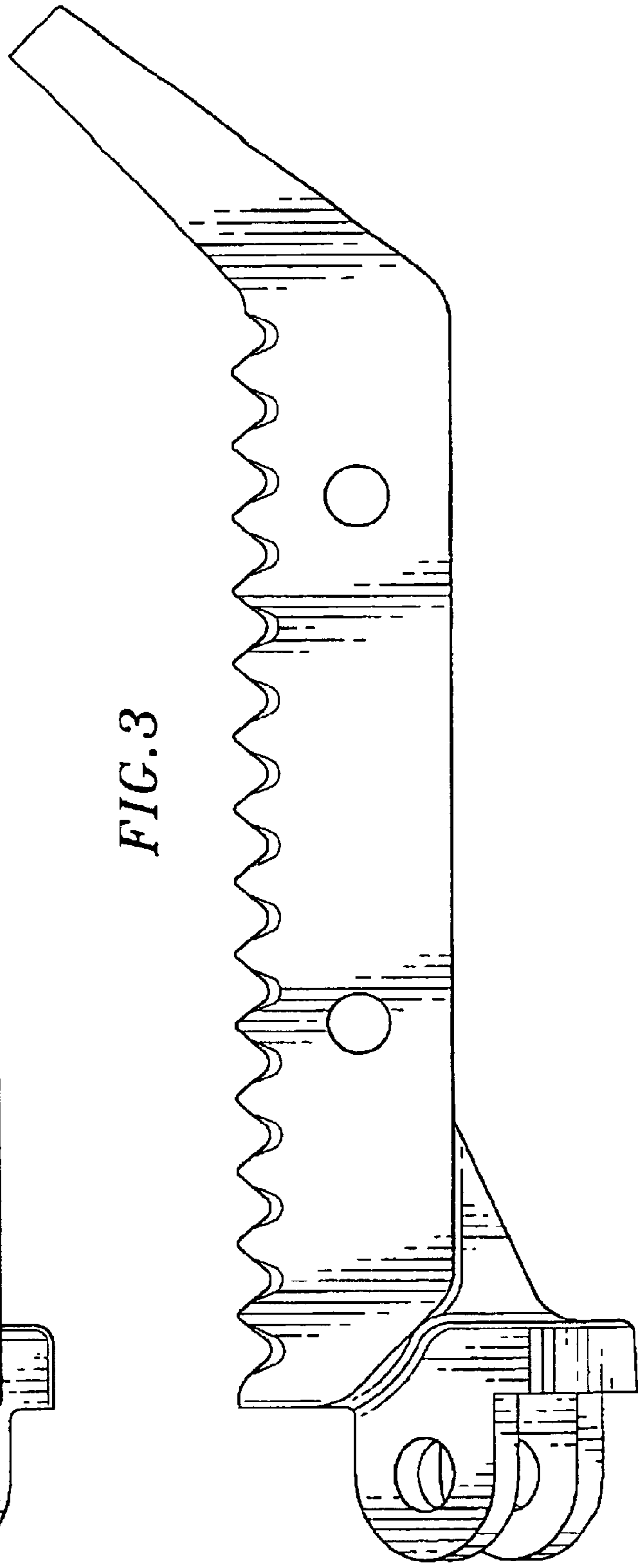




FIG. 4

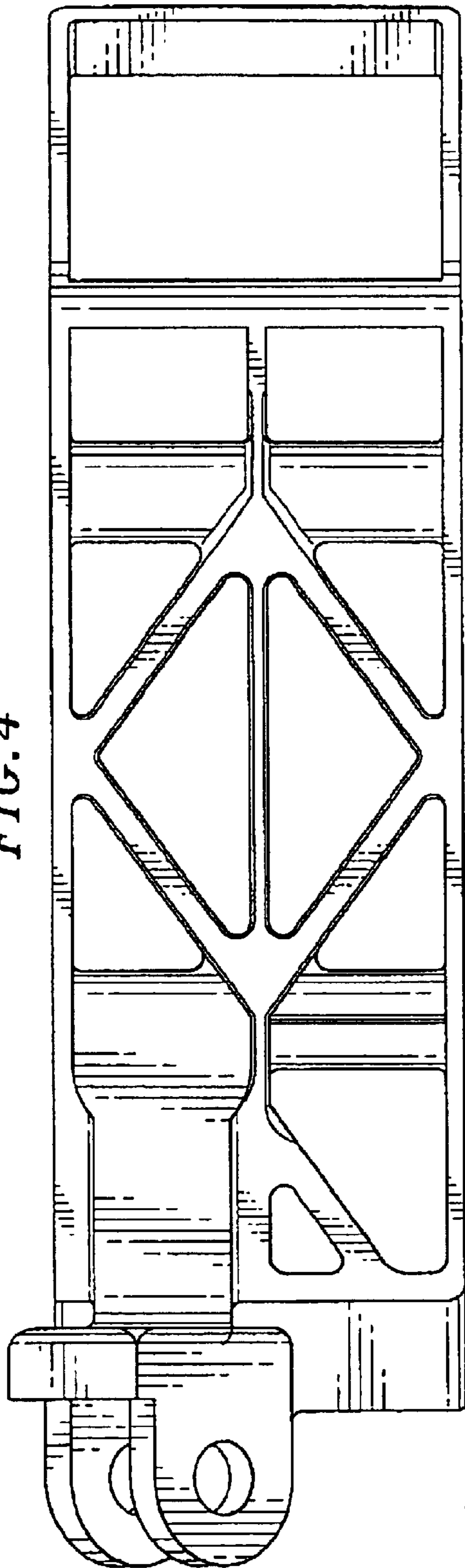
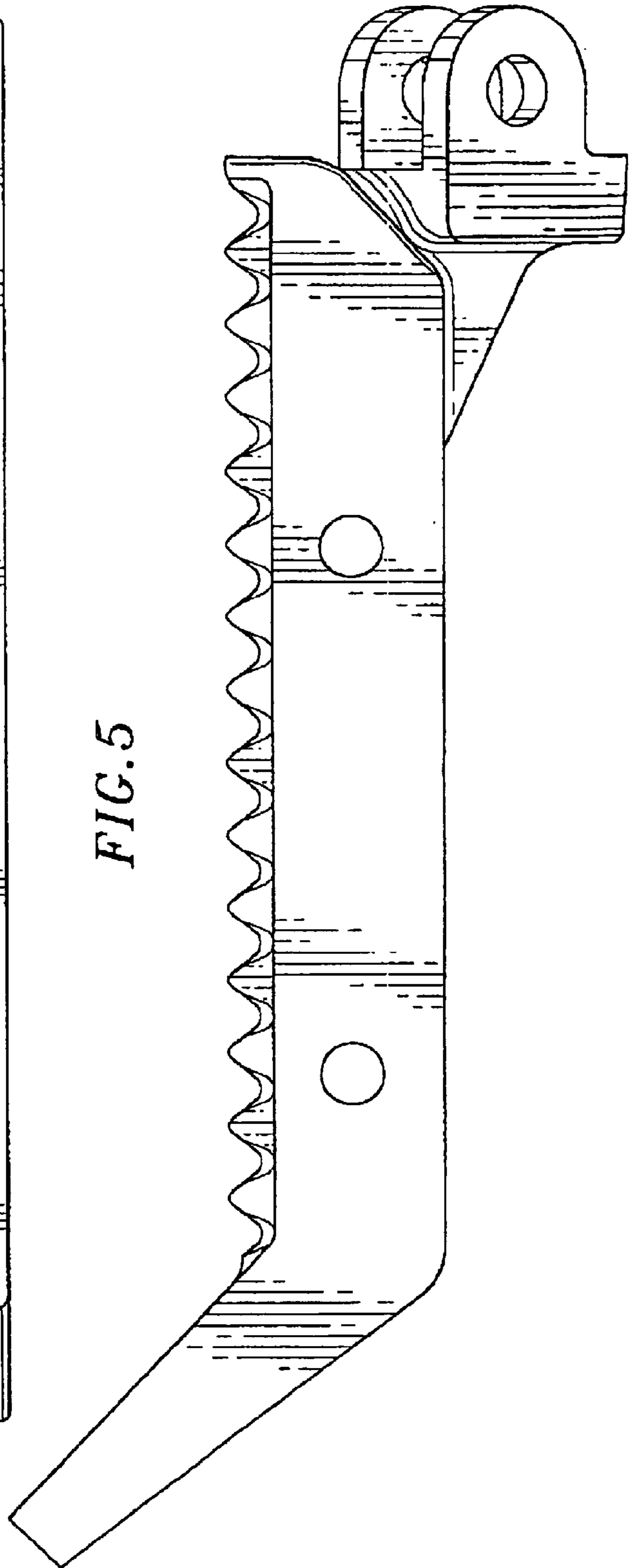
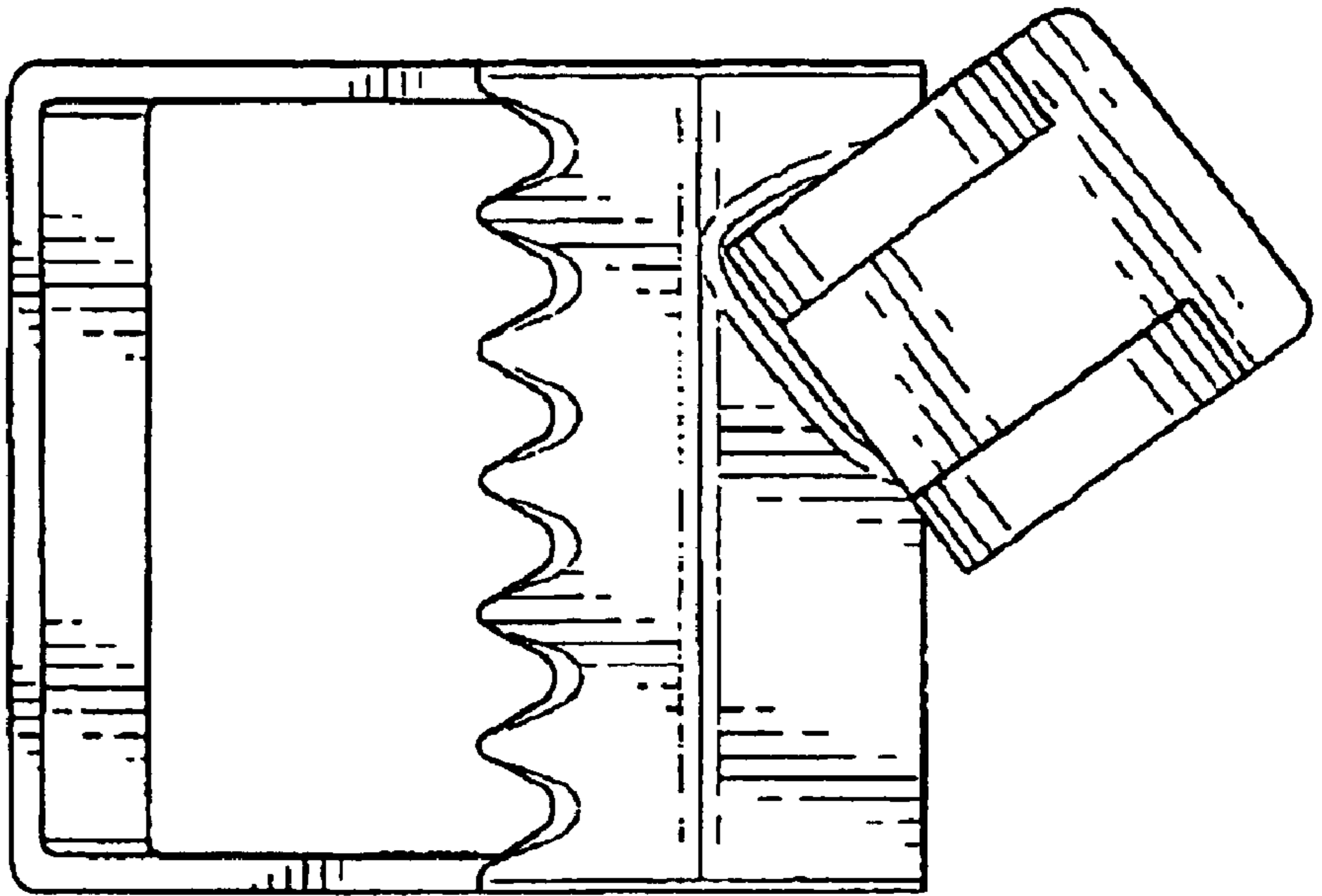


FIG. 5



*FIG. 7*



*FIG. 6*

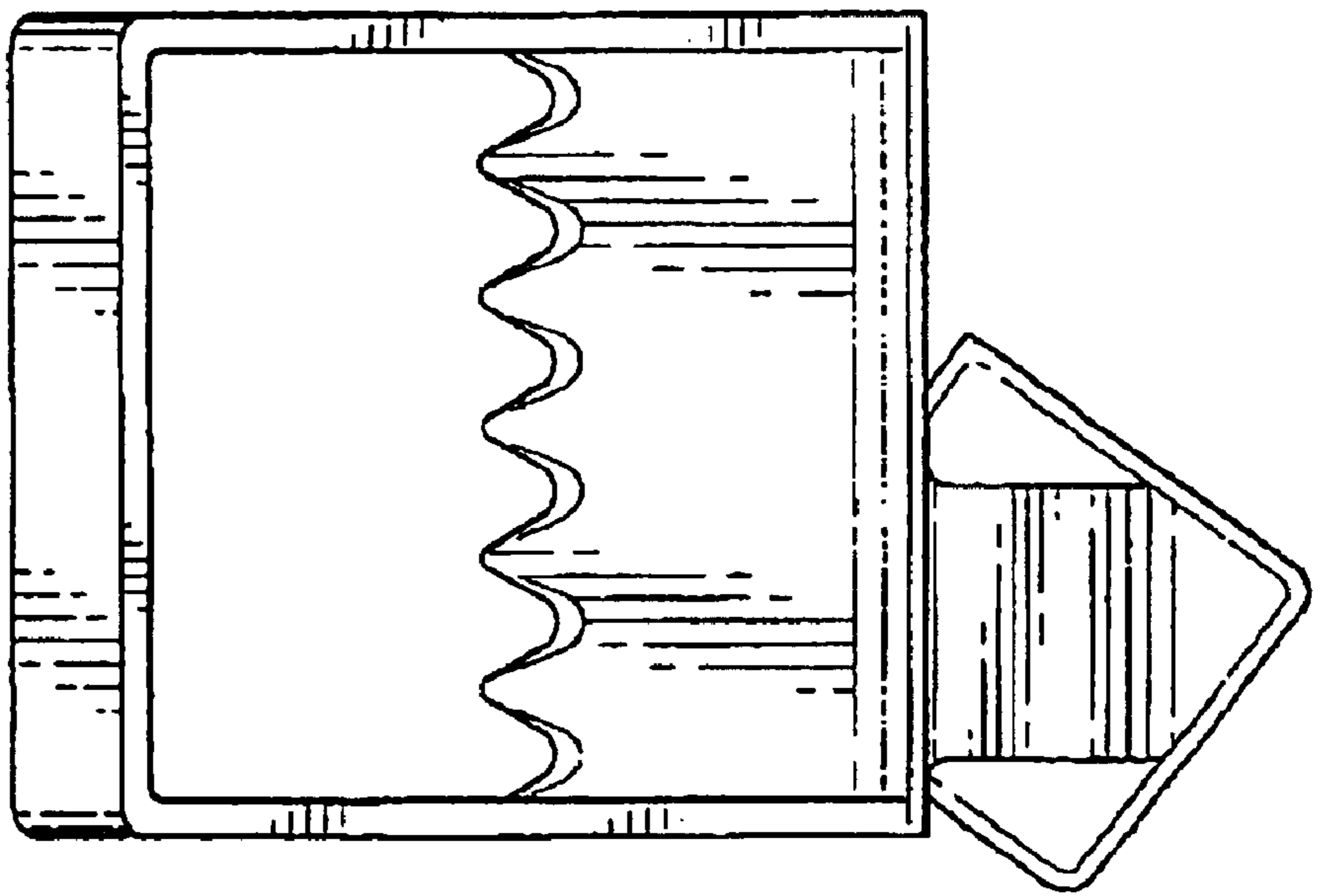


FIG. 8

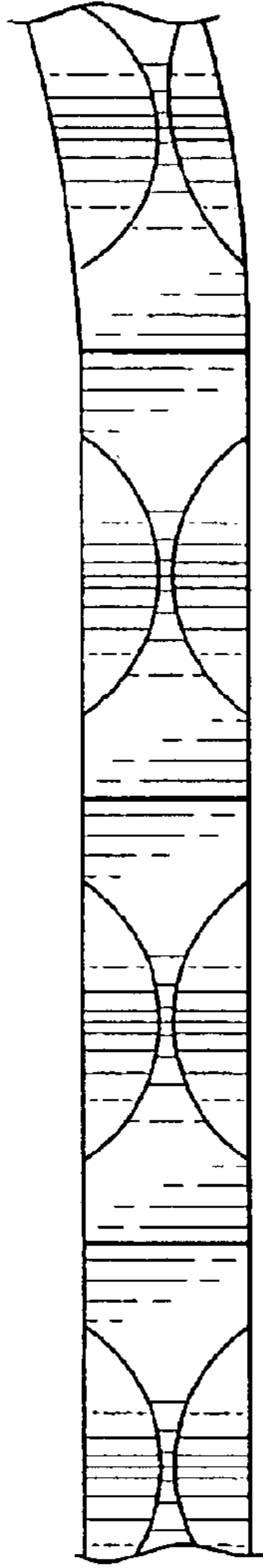


FIG. 9

