



US00D488406S

(12) **United States Design Patent**
Sramek

(10) **Patent No.:** **US D488,406 S**

(45) **Date of Patent:** **** Apr. 13, 2004**

(54) **ELECTRIC MINI BIKE**

OTHER PUBLICATIONS

(75) Inventor: **Steve Sramek**, Long Beach, CA (US)

Copy of internet picture: Electric Mini-Bike Scooter; Company Name: Yongkang Liya Hardware Corp; <http://www.lionfashion.com>.

(73) Assignee: **Razor USA LLC**, Cerritos, CA (US)

(**) Term: **14 Years**

* cited by examiner

(21) Appl. No.: **29/174,075**

Primary Examiner—Alan P. Douglas

Assistant Examiner—Linda Brooks

(22) Filed: **Jan. 9, 2003**

(74) *Attorney, Agent, or Firm*—Knobbe, Martens, Olson & Bear LLP

(51) **LOC (7) Cl.** **12-11**

(57) **CLAIM**

The ornamental design for an electric motorcycle, as shown and described.

(52) **U.S. Cl.** **D12/111**

DESCRIPTION

(58) **Field of Search** D12/110, 111;
180/219, 220; 280/281.1, 274–280, 283–288,
288.1

FIG. 1 is a perspective view of an electric motorcycle showing my new design.

FIG. 2 is an another perspective view thereof;

FIG. 3 is a left side elevational view thereof;

FIG. 4 is a top plan view thereof;

FIG. 5 is a rear elevational view thereof;

FIG. 6 is a right side elevational view thereof;

FIG. 7 is a bottom plan view thereof; and,

FIG. 8 is a front elevational view thereof.

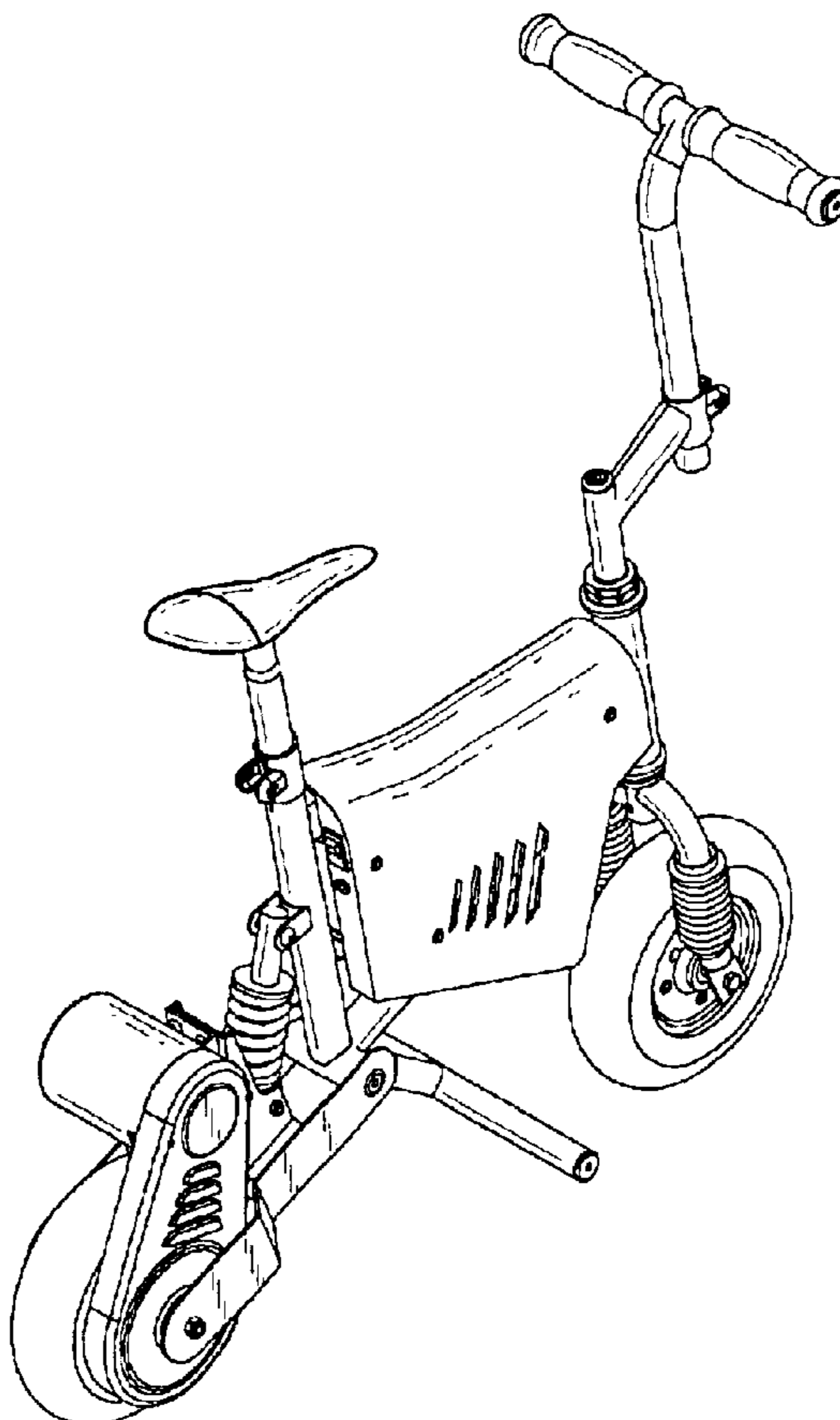
(56) **References Cited**

U.S. PATENT DOCUMENTS

D342,926 S * 1/1994 Russell D12/111

D441,323 S * 5/2001 Cheng D12/111

1 Claim, 8 Drawing Sheets



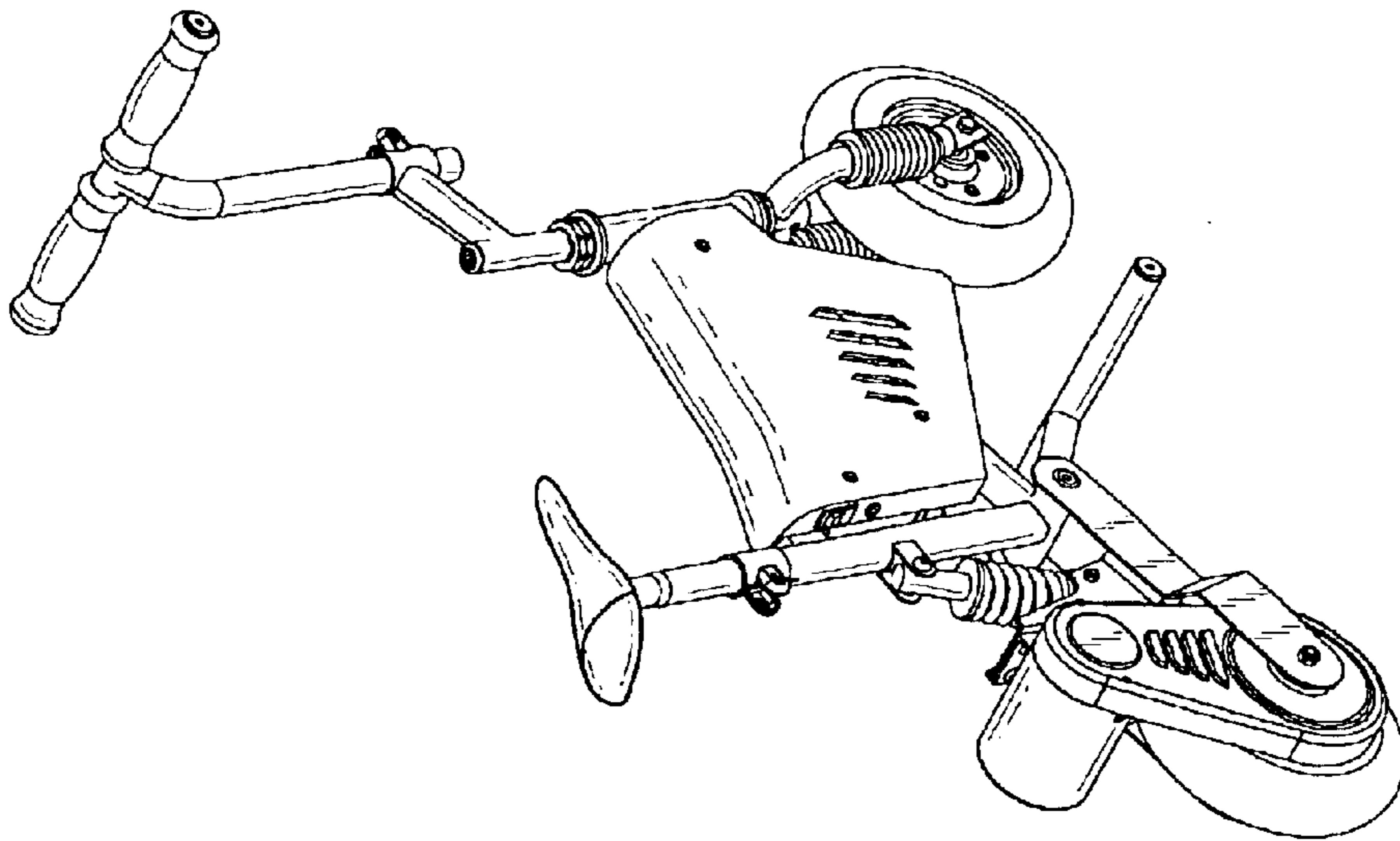


FIG. 1

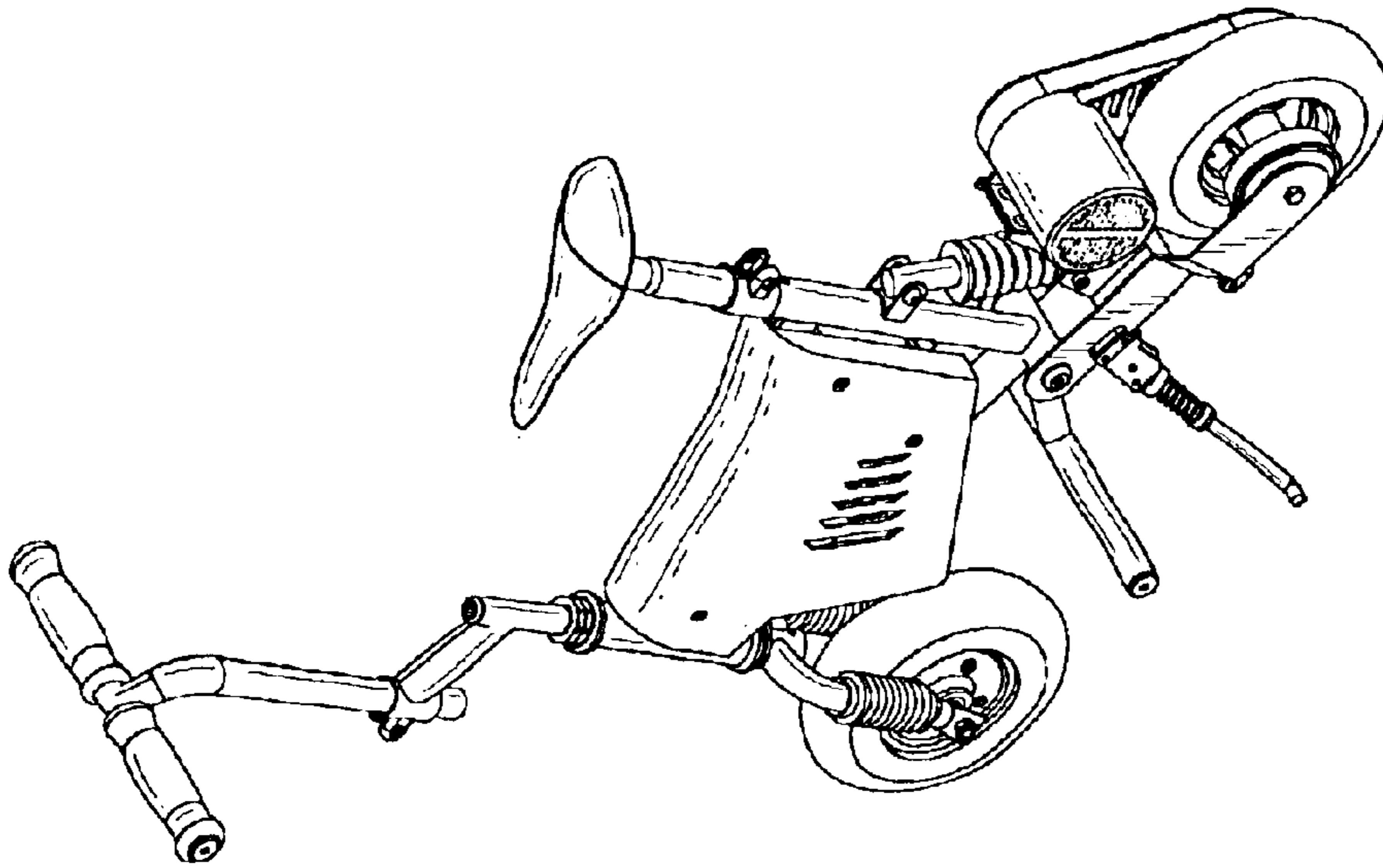


FIG. 2

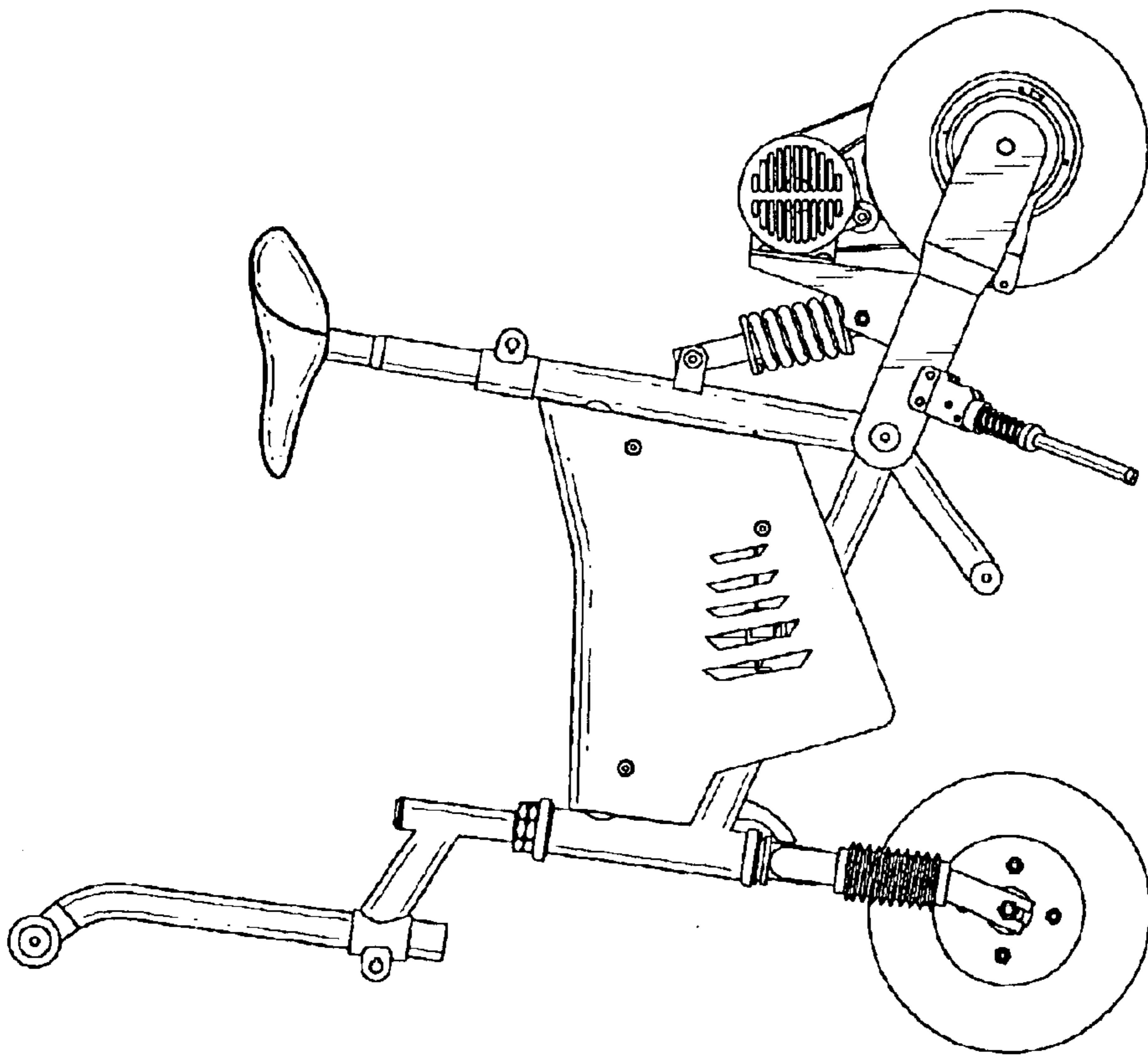


FIG. 3

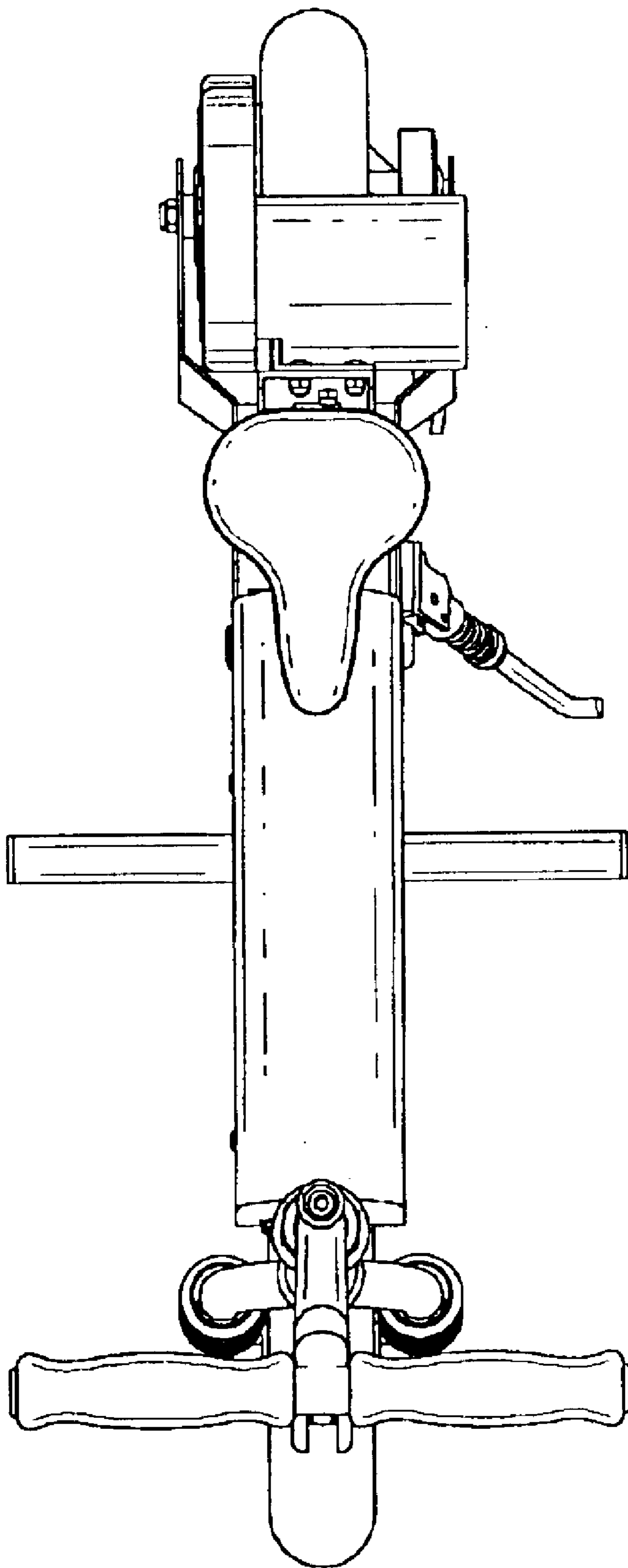


FIG. 4

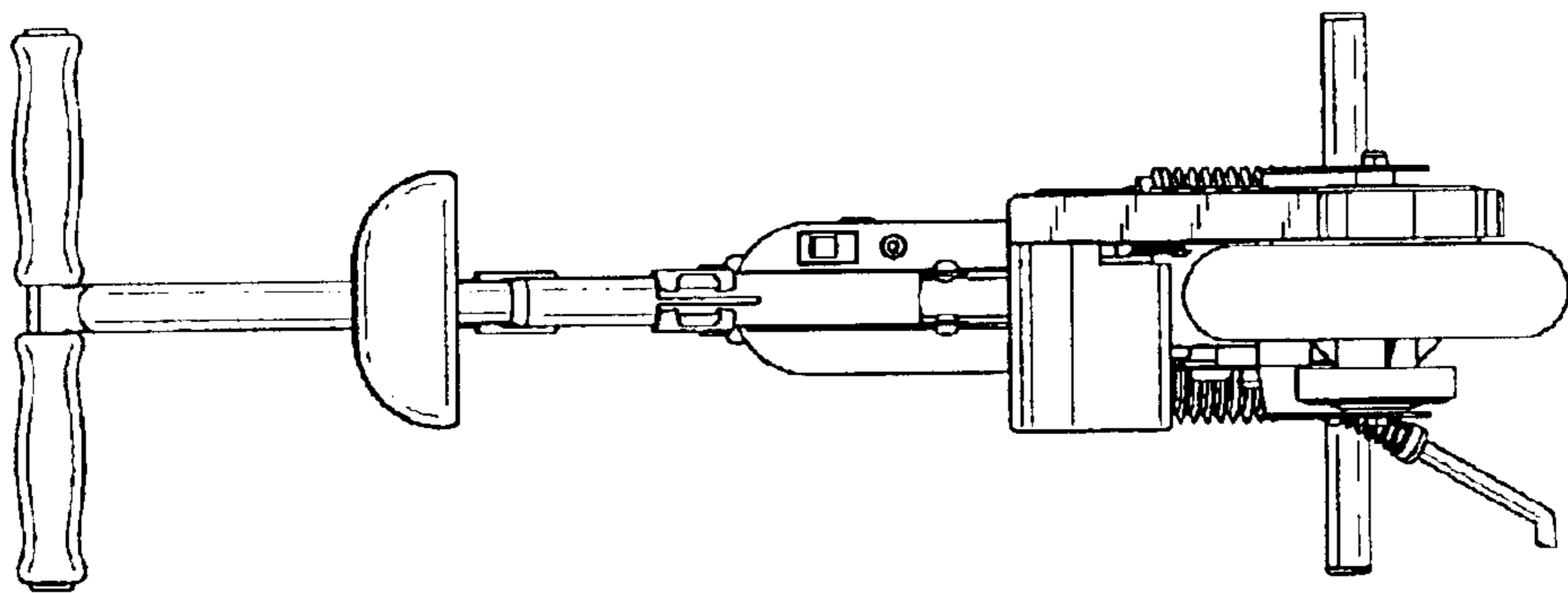


FIG. 5

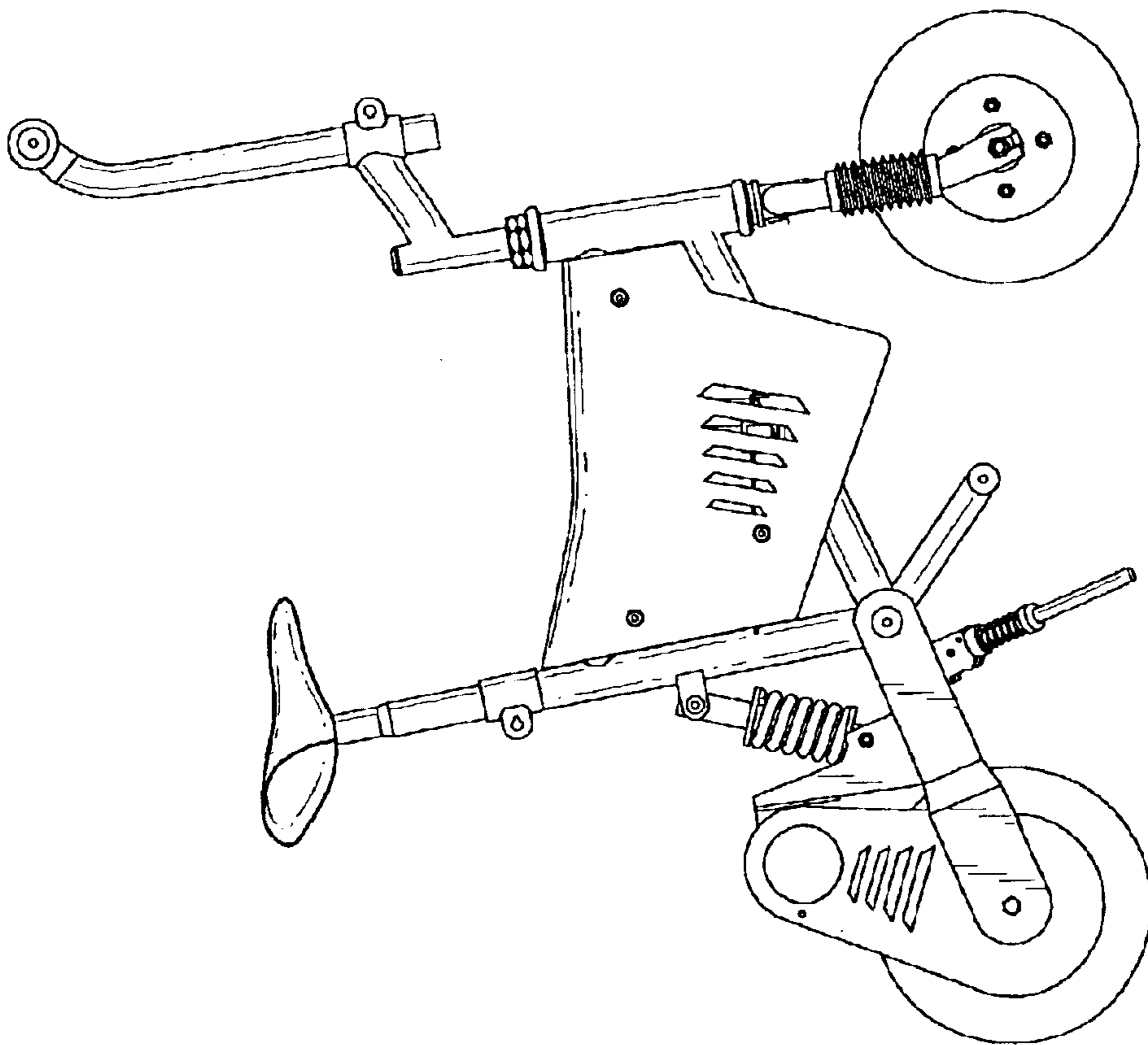


FIG. 6

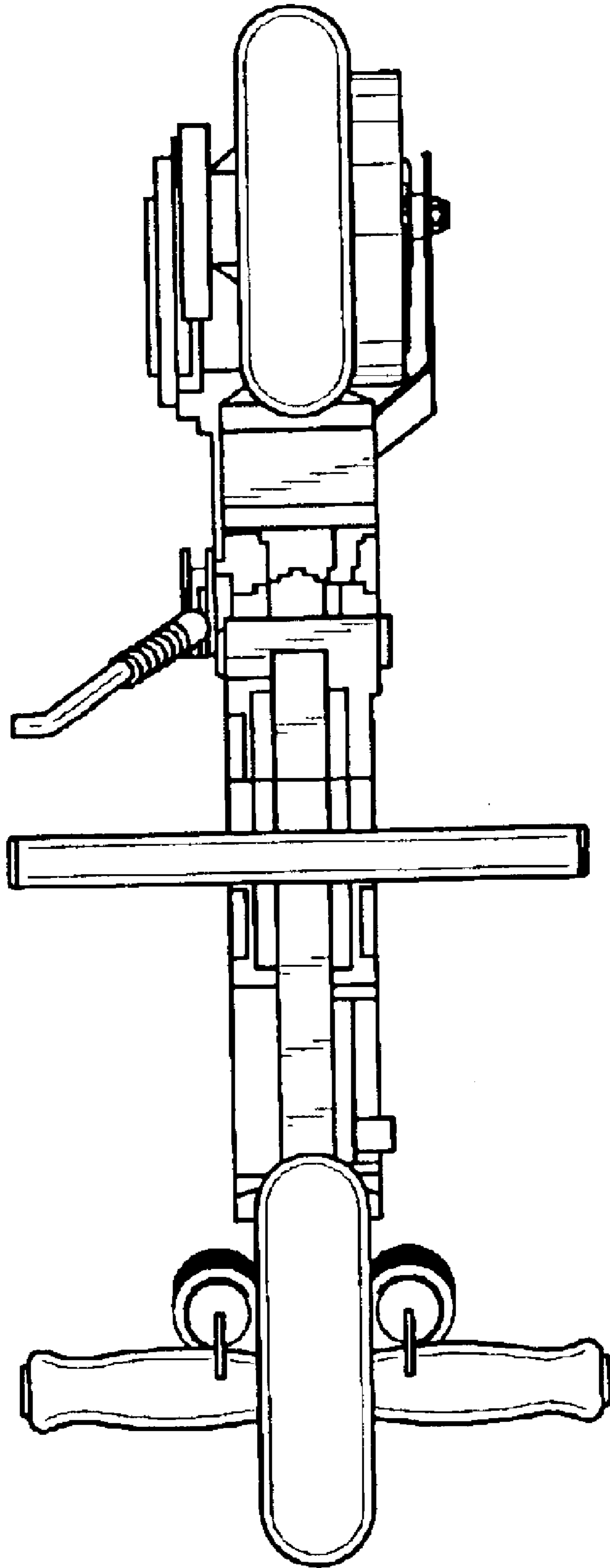


FIG. 7

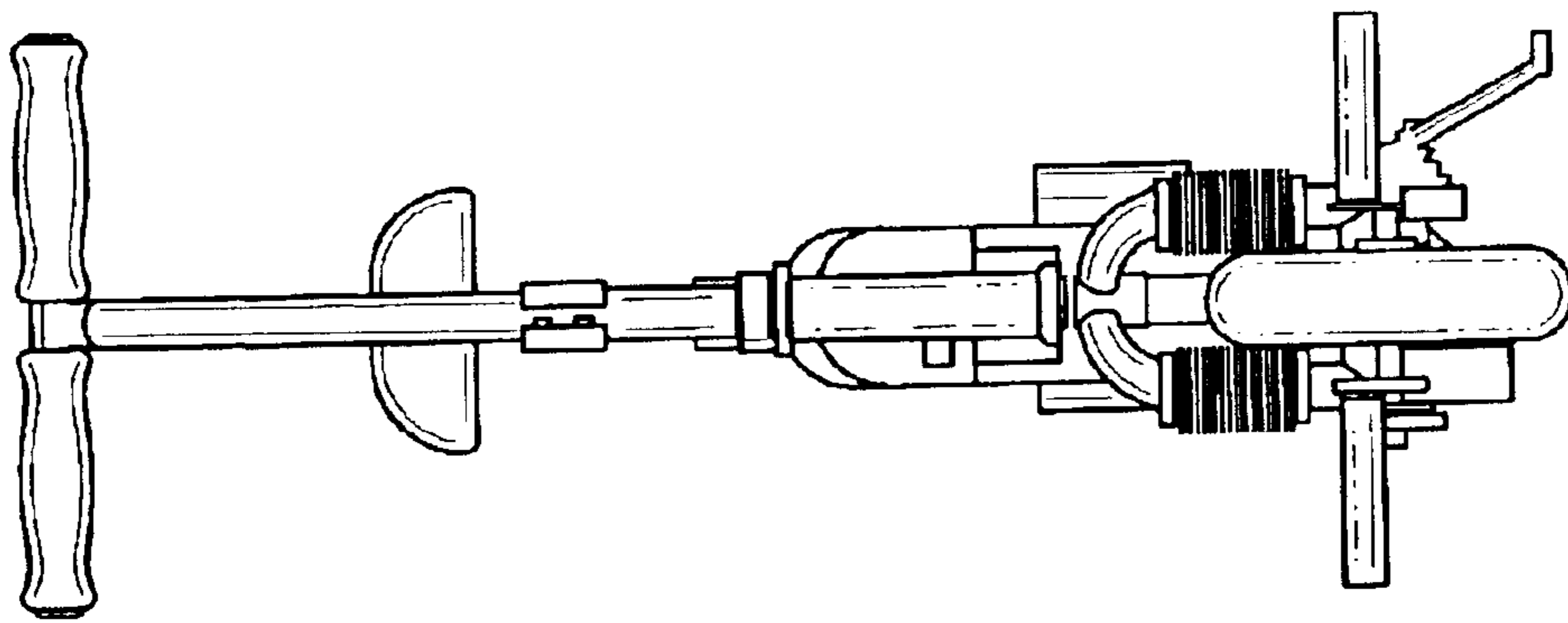


FIG. 8