



US00D488401S

(12) **United States Design Patent**
Gutierrez

(10) **Patent No.:** **US D488,401 S**

(45) **Date of Patent:** **** Apr. 13, 2004**

(54) **PLANTER BOX WITH DRAINAGE HOLE**

(76) **Inventor:** **Juan Carlos Gutierrez**, 4855 Gage Ave., Bell, CA (US) 90201

(**) **Term:** **14 Years**

(21) **Appl. No.:** **29/183,326**

(22) **Filed:** **Jun. 9, 2003**

(51) **LOC (7) Cl.** **11-02**

(52) **U.S. Cl.** **D11/155**

(58) **Field of Search** D11/143, 144,
D11/153, 155, 156; 47/41.01, 65.5, 65.7,
67, 68, 71, 66.1; 206/423; 248/27.8

(56) **References Cited**

U.S. PATENT DOCUMENTS

1,205,028 A	*	11/1916	Rudolph	47/66.1
D150,258 S	*	7/1948	Rosenberg	D11/155
2,792,142 A	*	5/1957	Sandkuhle	47/66.1
D232,812 S	*	9/1974	Ogle et al.	D11/155
4,031,663 A		6/1977	Brunk	47/66
D267,215 S	*	12/1982	Peterson	D11/144
D268,256 S	*	3/1983	Peterson	D11/155
D310,186 S	*	8/1990	Lee et al.	D11/155

5,479,742 A		1/1996	Monahan	47/66
D394,827 S	*	6/1998	Ruthenberg	D11/155
6,018,910 A		2/2000	Marks	47/66.1
D458,560 S	*	6/2002	D'Hulst	D11/155

* cited by examiner

Primary Examiner—Doris V. Coles

Assistant Examiner—Mimosa De

(74) *Attorney, Agent, or Firm*—Goldstein Law Offices,P.C.

(57) **CLAIM**

The ornamental design for a planter box with drainage hole, as shown and described.

DESCRIPTION

FIG. 1 is a perspective view of a planter box with drainage hole.

FIG. 2 is a front elevational view thereof.

FIG. 3 is a rear elevational view thereof.

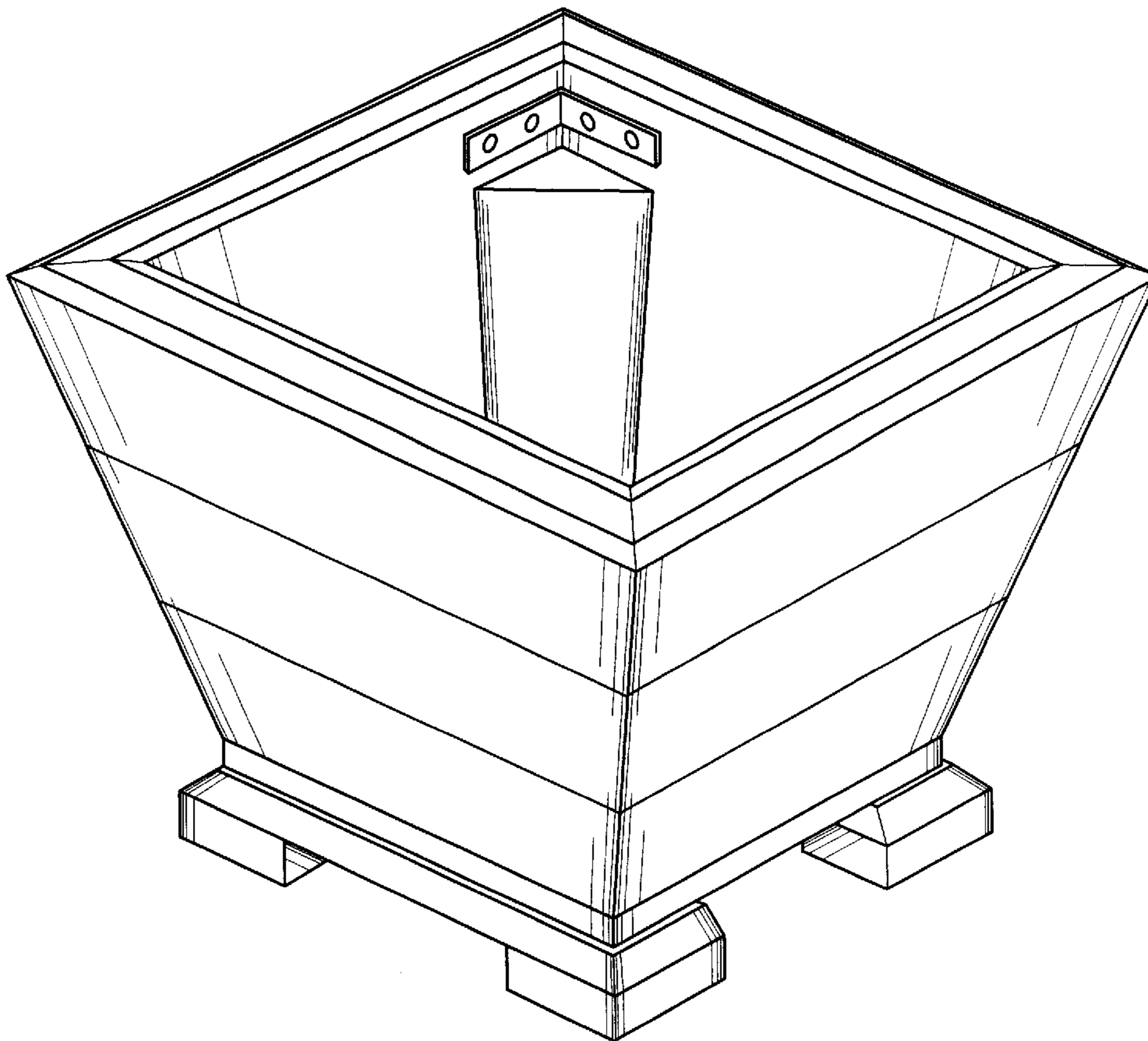
FIG. 4 is a right side elevational view thereof.

FIG. 5 is a left side elevational view thereof.

FIG. 6 is a top plan view of the planter box with drainage hole; and,

FIG. 7 is a bottom plan view thereof.

1 Claim, 4 Drawing Sheets



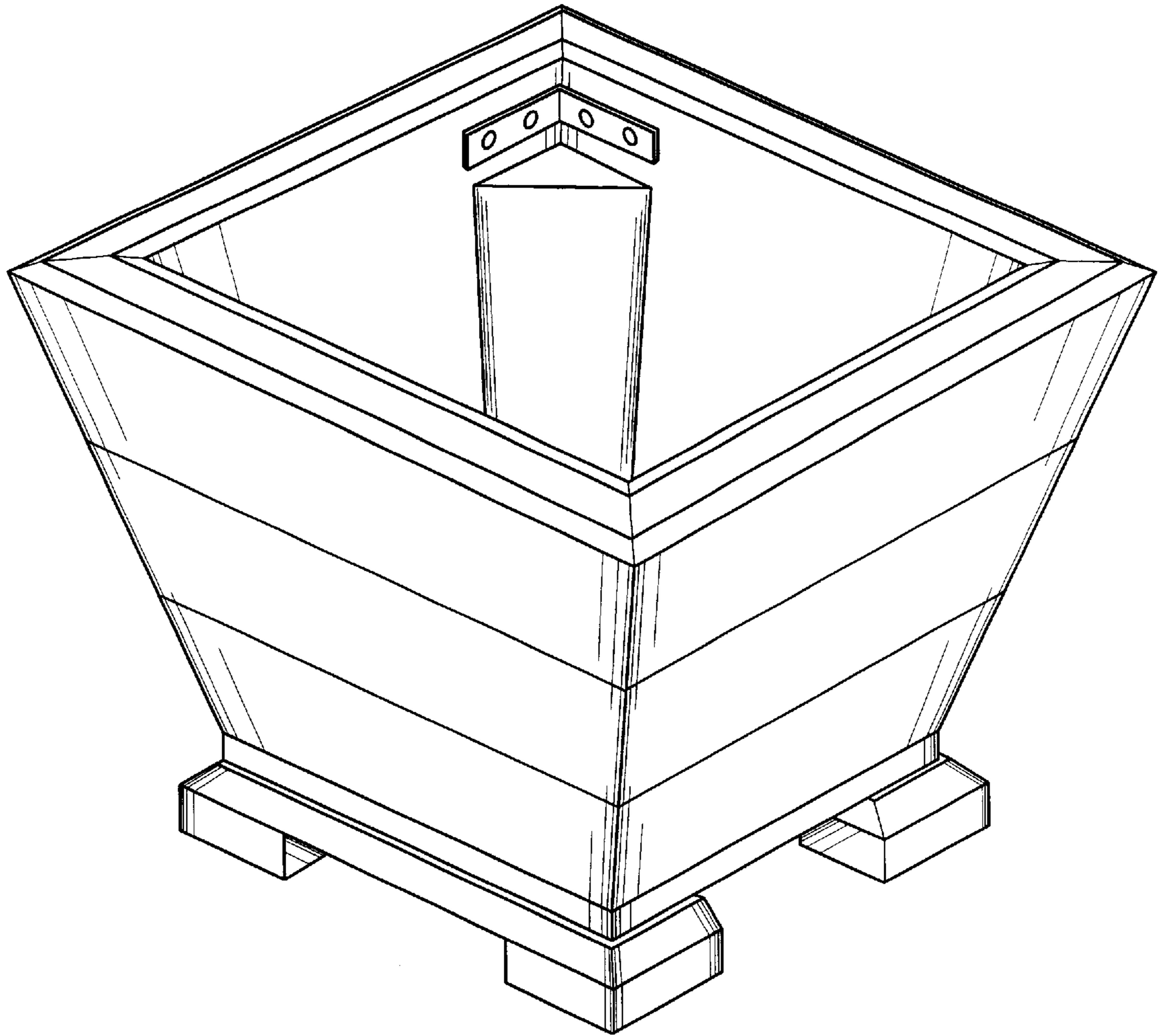


FIG. 1

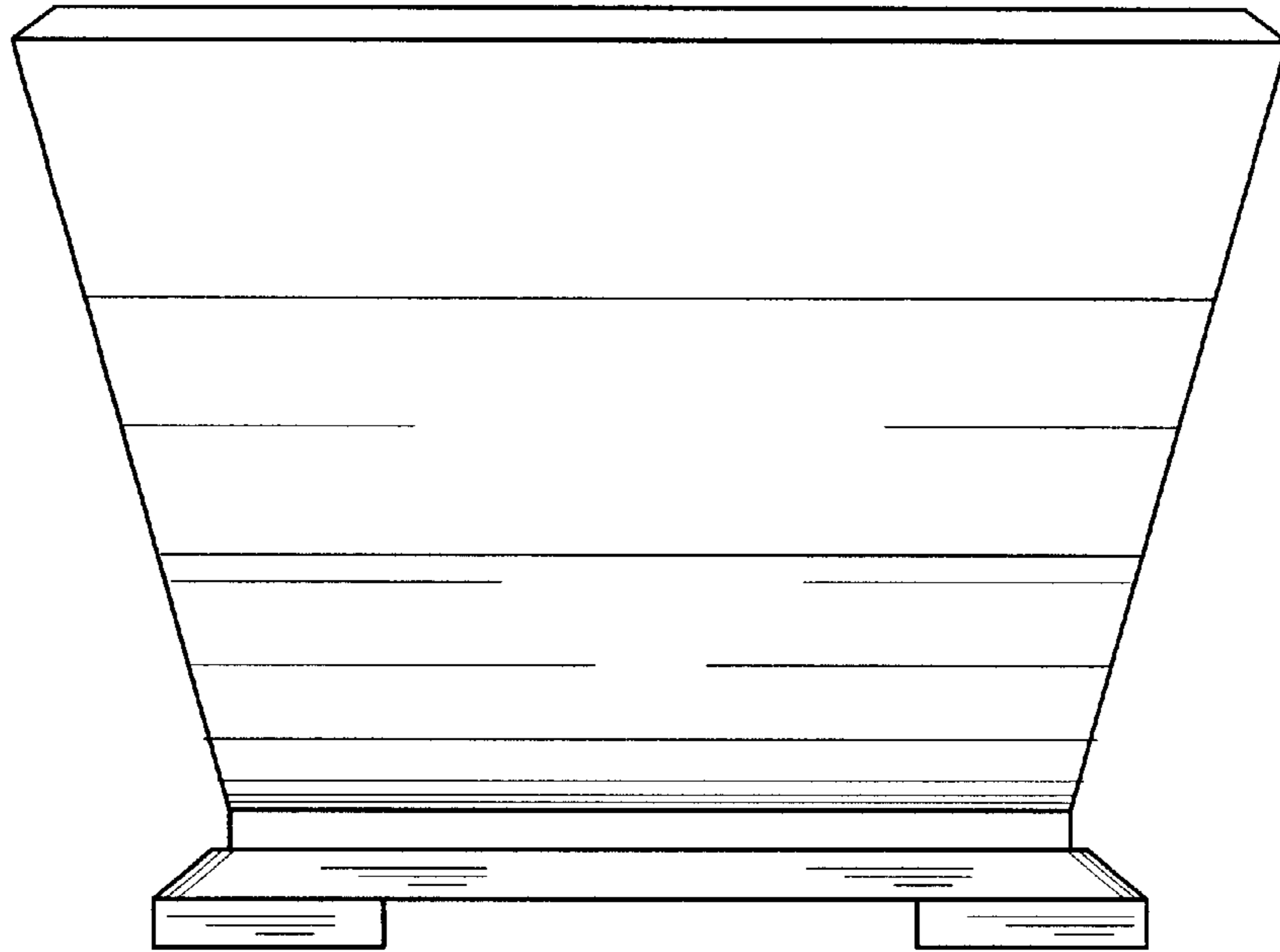


FIG. 2

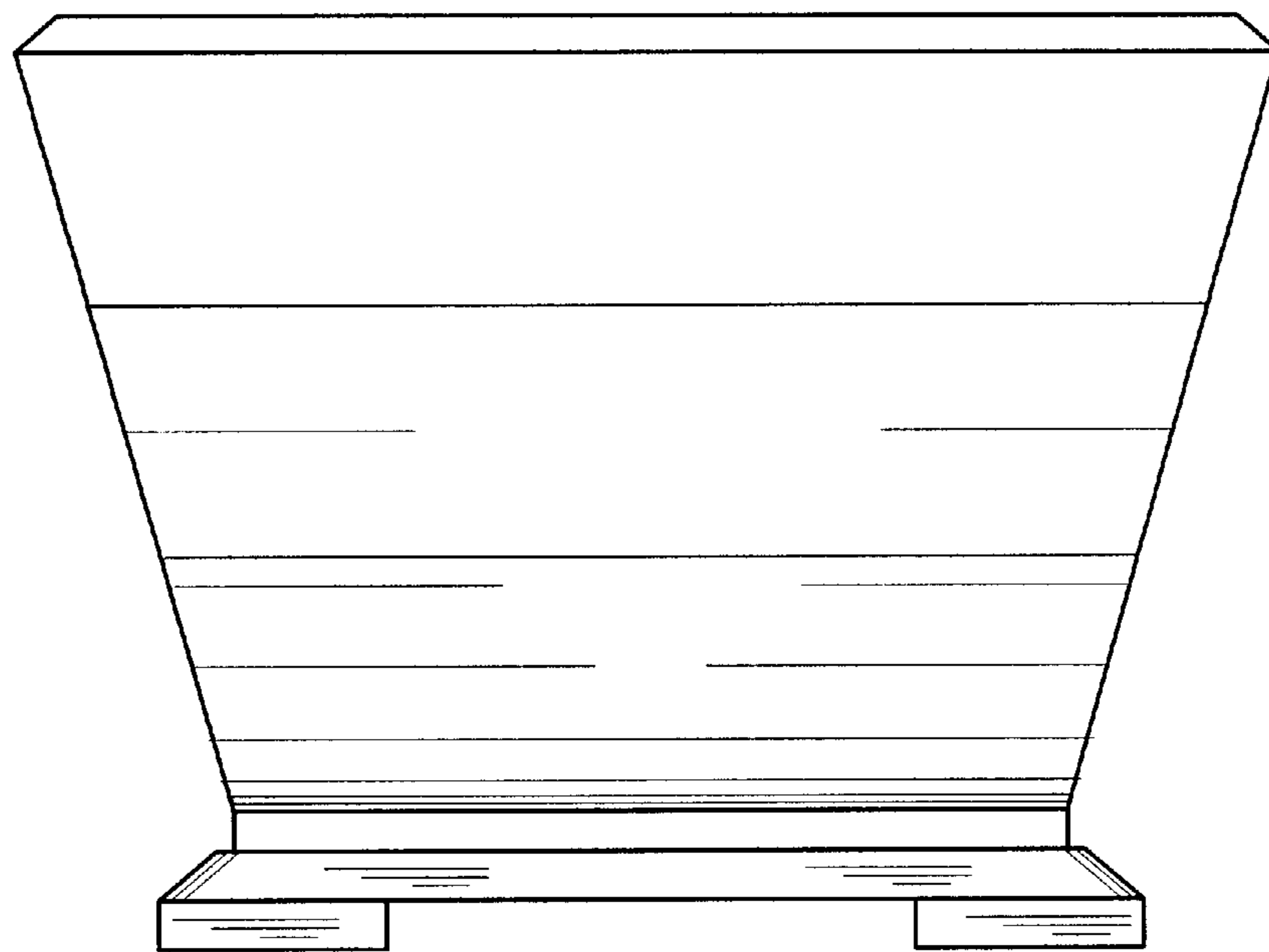


FIG. 3

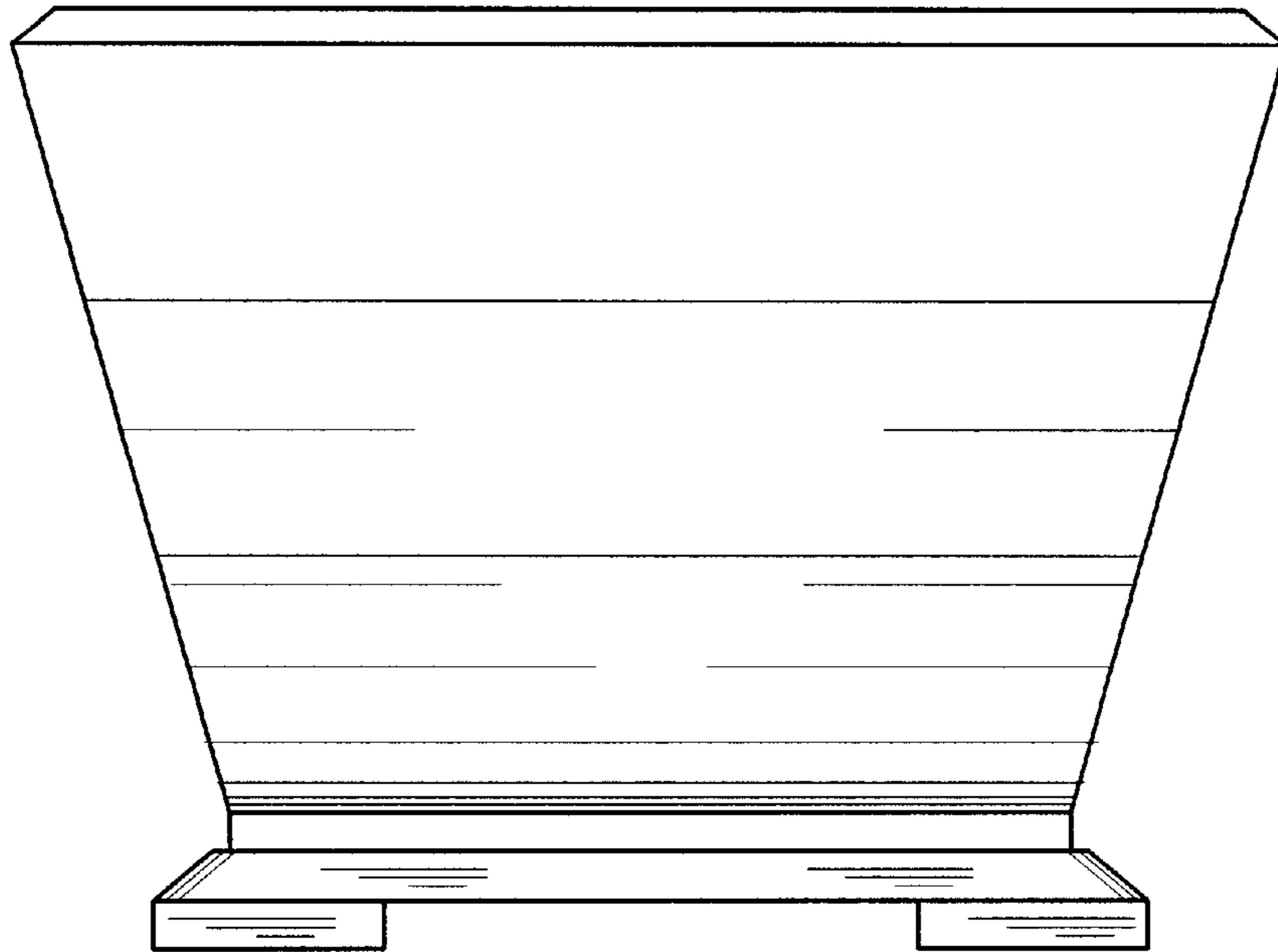


FIG. 4

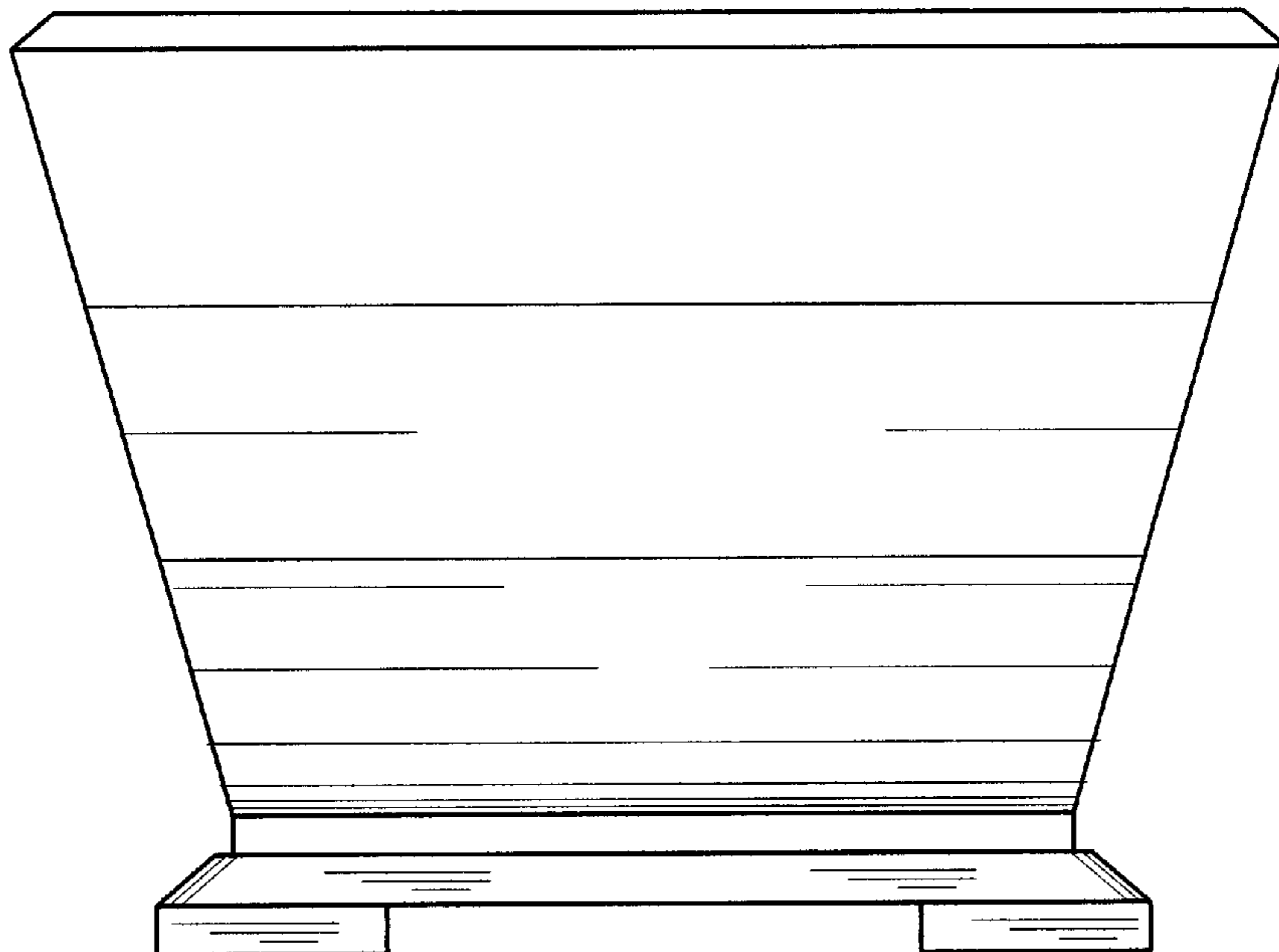


FIG. 5

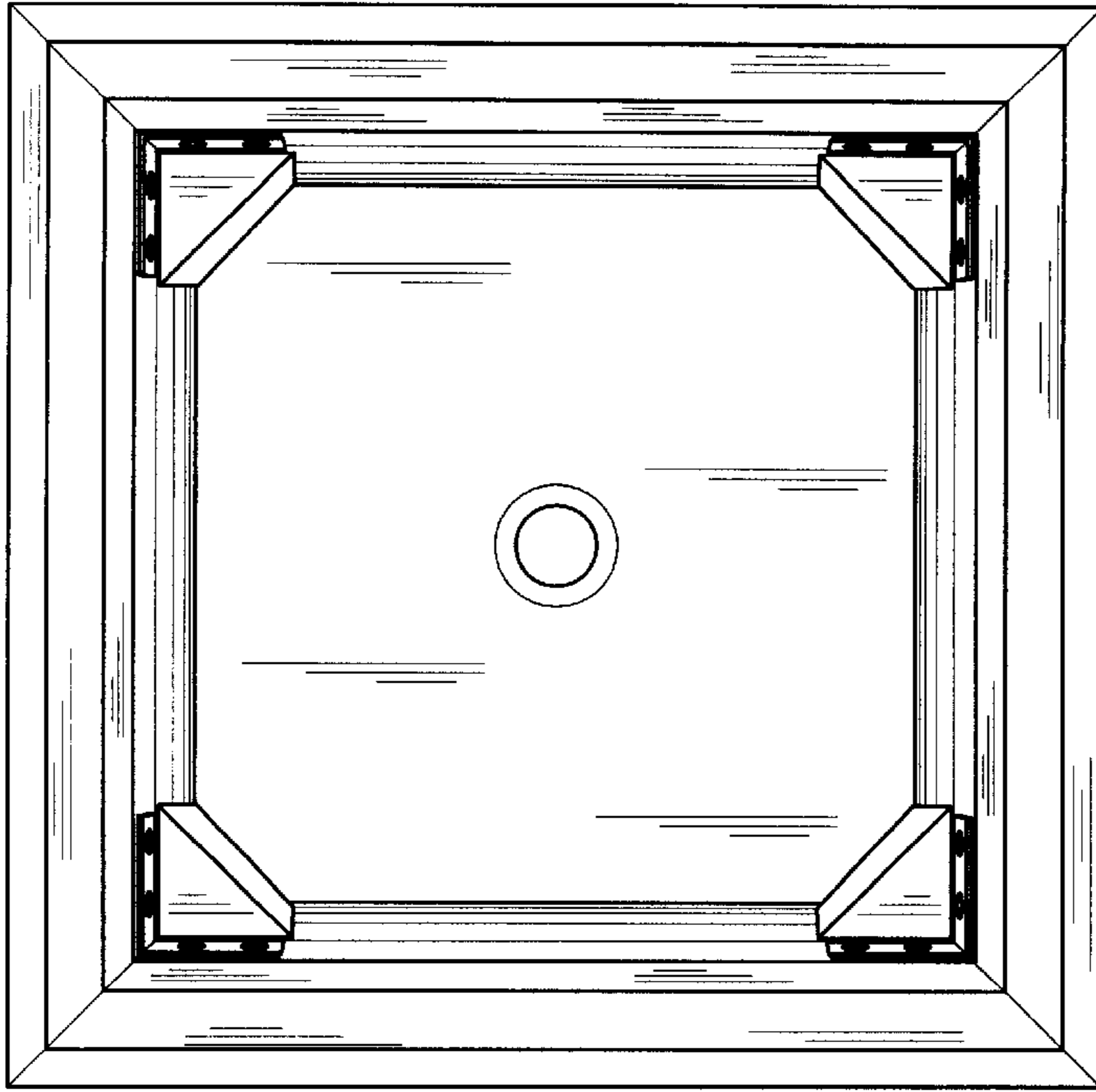


FIG. 6

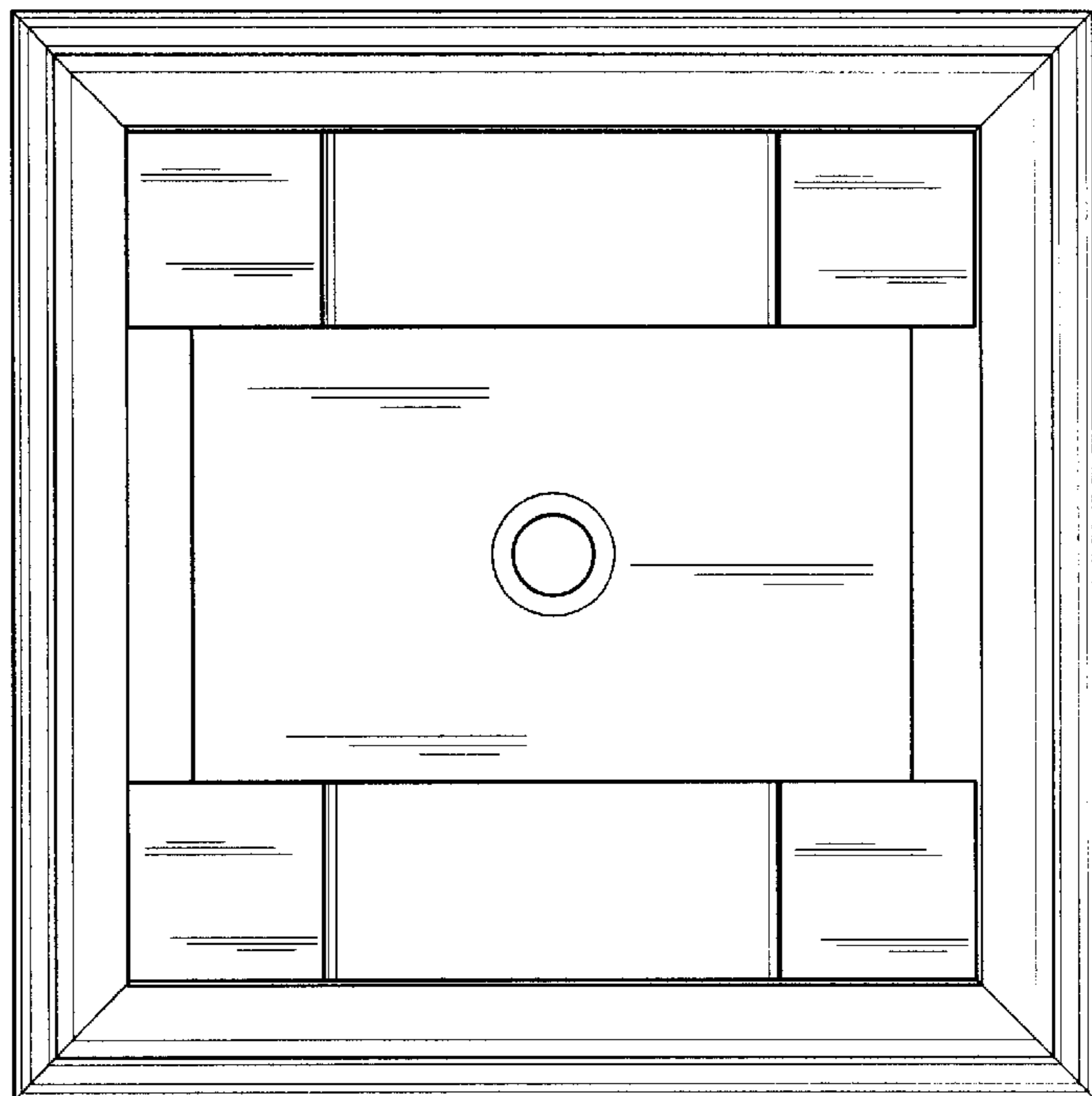


FIG. 7