



US00D488398S

(12) **United States Design Patent**
Golaszewski et al.

(10) **Patent No.:** **US D488,398 S**
(45) **Date of Patent:** **** Apr. 13, 2004**

(54) **LEVELING DEVICE WITH SLOTS AND NOTCHED TOP FOR SECUREMENT TO LADDER STEP/RUNG**

5,044,468 A 9/1991 Worthington, Jr.
5,680,707 A 10/1997 Boelling
6,026,581 A * 2/2000 Gruetzmacher 33/370

(76) Inventors: **Robert R. Golaszewski**, 8265 Sage Dr., Bonne Terre, MO (US) 63628; **Mary C. Golaszewski**, 8265 Sage Dr., Bonne Terre, MO (US) 63628

* cited by examiner

Primary Examiner—Antoine Duval Davis
(74) *Attorney, Agent, or Firm*—Donald R. Schoonover

(**) Term: **14 Years**

(57) **CLAIM**

(21) Appl. No.: **29/179,248**

The ornamental design for a leveling device with slots and notched top for securement to ladder step/rung, as shown and described.

(22) Filed: **Apr. 8, 2003**

(51) **LOC (7) Cl.** **10-04**

(52) **U.S. Cl.** **D10/69**

(58) **Field of Search** D10/69; 33/370-373, 33/333

DESCRIPTION

FIG. 1 is a perspective view of a leveling device with slots and notched top for securement to ladder step/rung showing our new design;

FIG. 2 is a side elevational view thereof, the elevational view of the opposing side being identical thereto;

FIG. 3 is an end elevational view thereof, the elevational view of the opposing end being identical thereto;

FIG. 4 is a top plan view thereof;

FIG. 5 is a bottom plan view thereof; and,

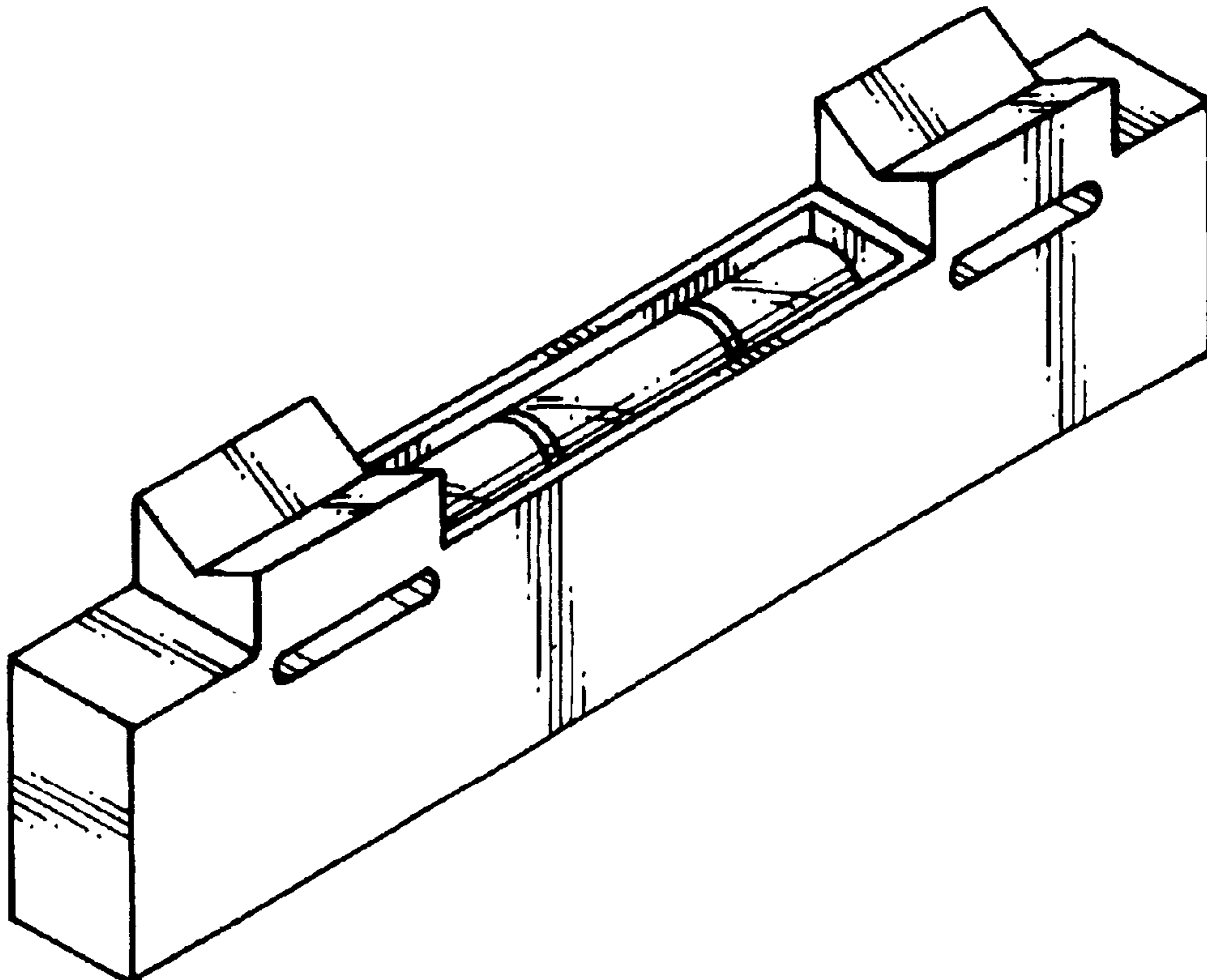
FIG. 6 is a reduced perspective view showing the leveling device with slots and notched top for securement to ladder step/rung in use; the broken lines depict environmental structure for illustrative purposes only and form no part of the claimed design.

(56) **References Cited**

U.S. PATENT DOCUMENTS

- 2,147,052 A 2/1939 Noone
- 2,449,609 A 9/1948 Linder et al.
- 2,535,791 A 12/1950 Fluke
- 2,789,363 A 4/1957 Miley
- D189,210 S 11/1960 Davis
- 3,173,512 A 3/1965 Sturdy et al.
- 3,233,702 A 2/1966 Feltrop
- D257,671 S 12/1980 Elliott
- D268,909 S 5/1983 Doan
- 4,683,980 A 8/1987 Vayko

1 Claim, 3 Drawing Sheets



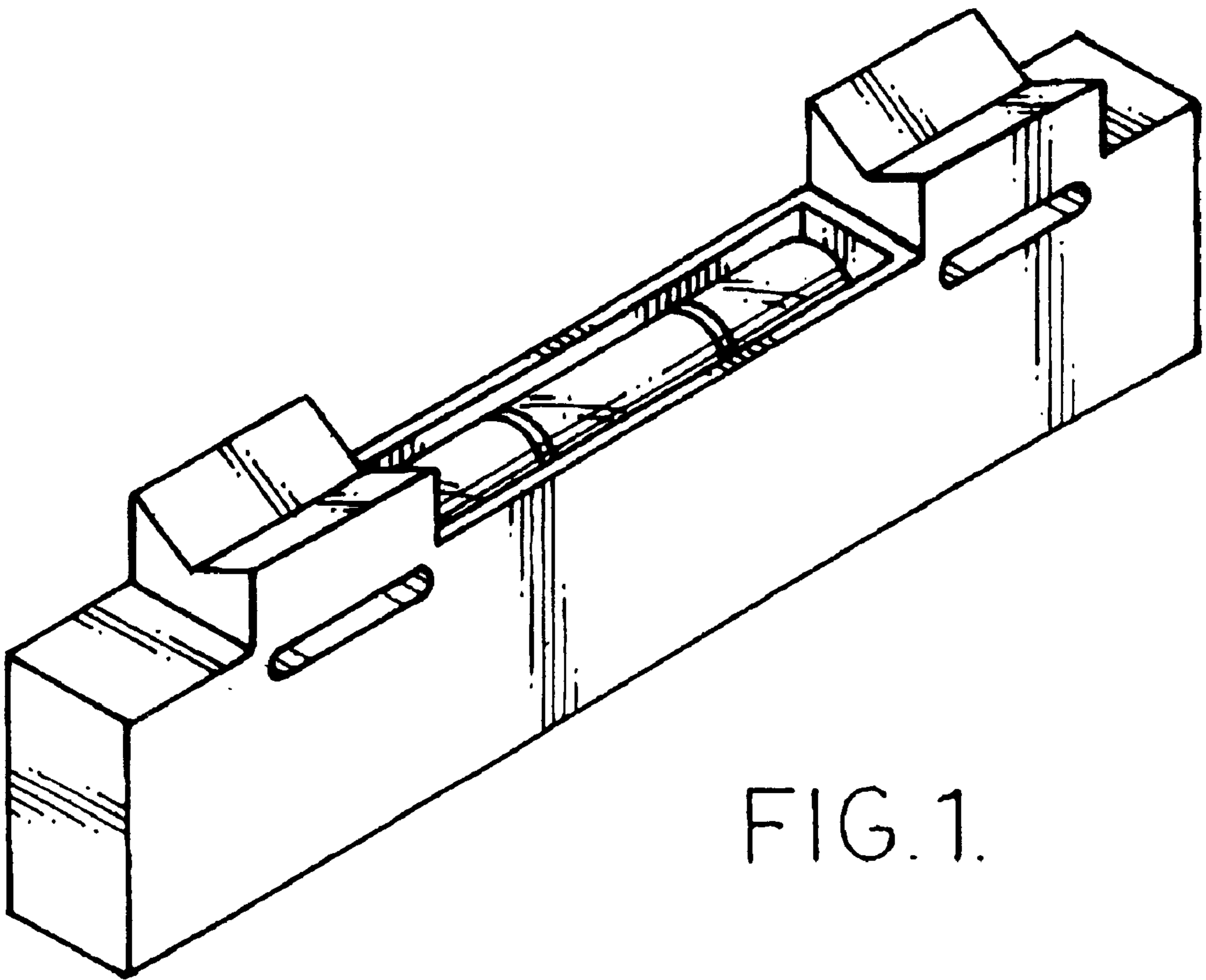


FIG. 1.

FIG. 2.

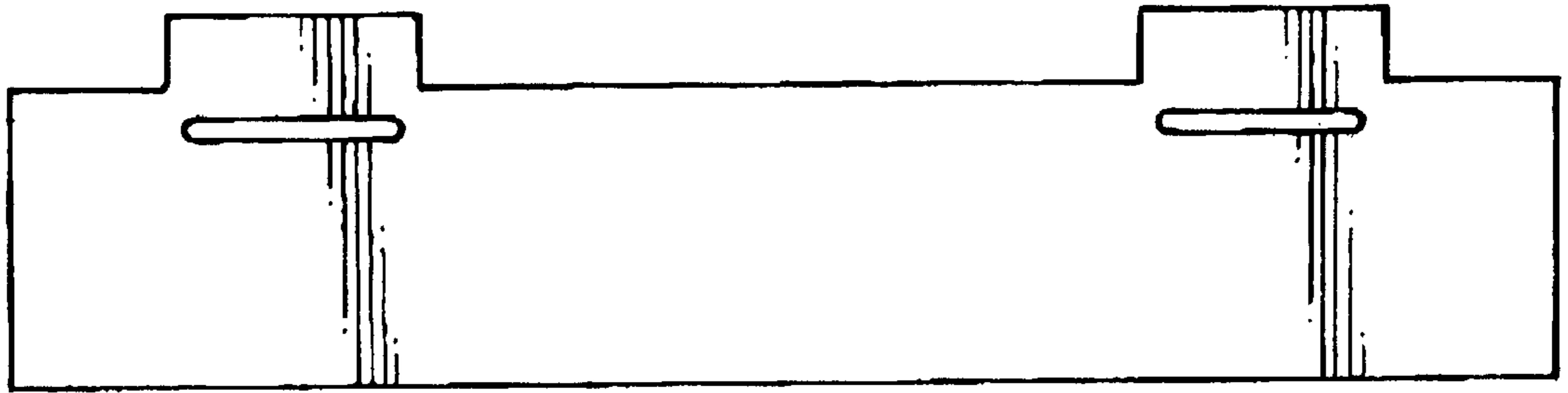


FIG. 3.

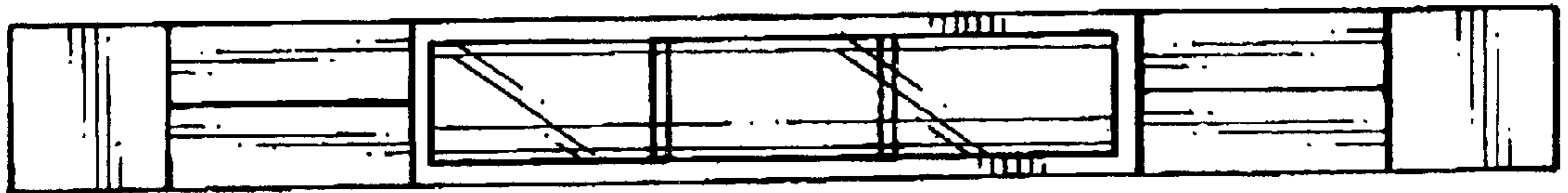


FIG. 4



FIG. 5.

FIG. 6.

