



US00D488397S

(12) **United States Design Patent**
Morelock

(10) **Patent No.:** **US D488,397 S**

(45) **Date of Patent:** **** Apr. 13, 2004**

(54) **GASOLINE TANK CAP AND COMPASS**

(76) **Inventor:** **Garrett A. Morelock**, 1227 Romney,
Bloomfield Hills, MI (US) 48304

(**) **Term:** **14 Years**

(21) **Appl. No.:** **29/178,691**

(22) **Filed:** **Mar. 28, 2003**

(51) **LOC (7) Cl.** **10-04**

(52) **U.S. Cl.** **D10/68; D12/197**

(58) **Field of Search** **D10/68; D12/197;**
141/392; 220/235, 288, 86.2, DIG. 33,
DIG. 34, 304

D392,060 S	3/1998	Chen	
D397,320 S	* 8/1998	Hoagland, IV D12/197
D400,838 S	* 11/1998	Stahel D12/197
D411,121 S	6/1999	Chang et al.	
D422,255 S	* 4/2000	Gonzales D12/197
D426,475 S	6/2000	Tam et al.	
6,070,625 A	* 6/2000	Robinson et al. 141/392
D427,531 S	7/2000	Hartmann et al.	
D427,532 S	7/2000	Hartmann et al.	
D435,466 S	12/2000	Yusa	
D435,467 S	12/2000	Batchedler	
D460,011 S	7/2002	Rashed	
6,497,050 B1	12/2002	Ricalde	
6,648,160 B2	* 11/2003	Hotch 220/255
2002/0166377 A1	11/2002	Baron et al.	

* cited by examiner

(56) **References Cited**

U.S. PATENT DOCUMENTS

4,065,026 A	* 12/1977	Williams et al. 220/304
4,091,959 A	* 5/1978	O'Banion 220/304
4,480,470 A	11/1984	Tussing	
4,544,007 A	10/1985	Abraham	
D287,943 S	1/1987	Tanaka	
4,644,984 A	2/1987	Abraham	
D289,424 S	4/1987	Huang	
D289,869 S	5/1987	Woolley	
D294,561 S	3/1988	Blaney	
D295,450 S	4/1988	Iacovelli	
D312,418 S	11/1990	Yusa	
D335,261 S	5/1993	Cowles, III	
D345,310 S	3/1994	Henning	
5,544,780 A	8/1996	Jye	
D380,224 S	6/1997	Kung	
D380,225 S	6/1997	Kung	
D384,886 S	* 10/1997	Plante D9/436
D389,069 S	1/1998	Steinhagen et al.	
D389,745 S	1/1998	Steinhagen et al.	

Primary Examiner—Antoine Duval Davis

(74) *Attorney, Agent, or Firm*—Dobrusin & Thennisch PC

(57) **CLAIM**

The ornamental design of a gasoline tank cap and compass, as shown and described.

DESCRIPTION

FIG. 1 is a perspective view illustrating a first preferred embodiment of a gasoline tank cap with compass of the present invention;
FIG. 2 is a top plan view of FIG. 1;
FIG. 3 is a side view of FIG. 1; and,
FIG. 4 is a perspective view illustrating a second preferred embodiment of a gasoline tank cap with compass of the present invention.
The broken line showing is for illustrative purposes only and forms no part of the claimed design.

1 Claim, 2 Drawing Sheets

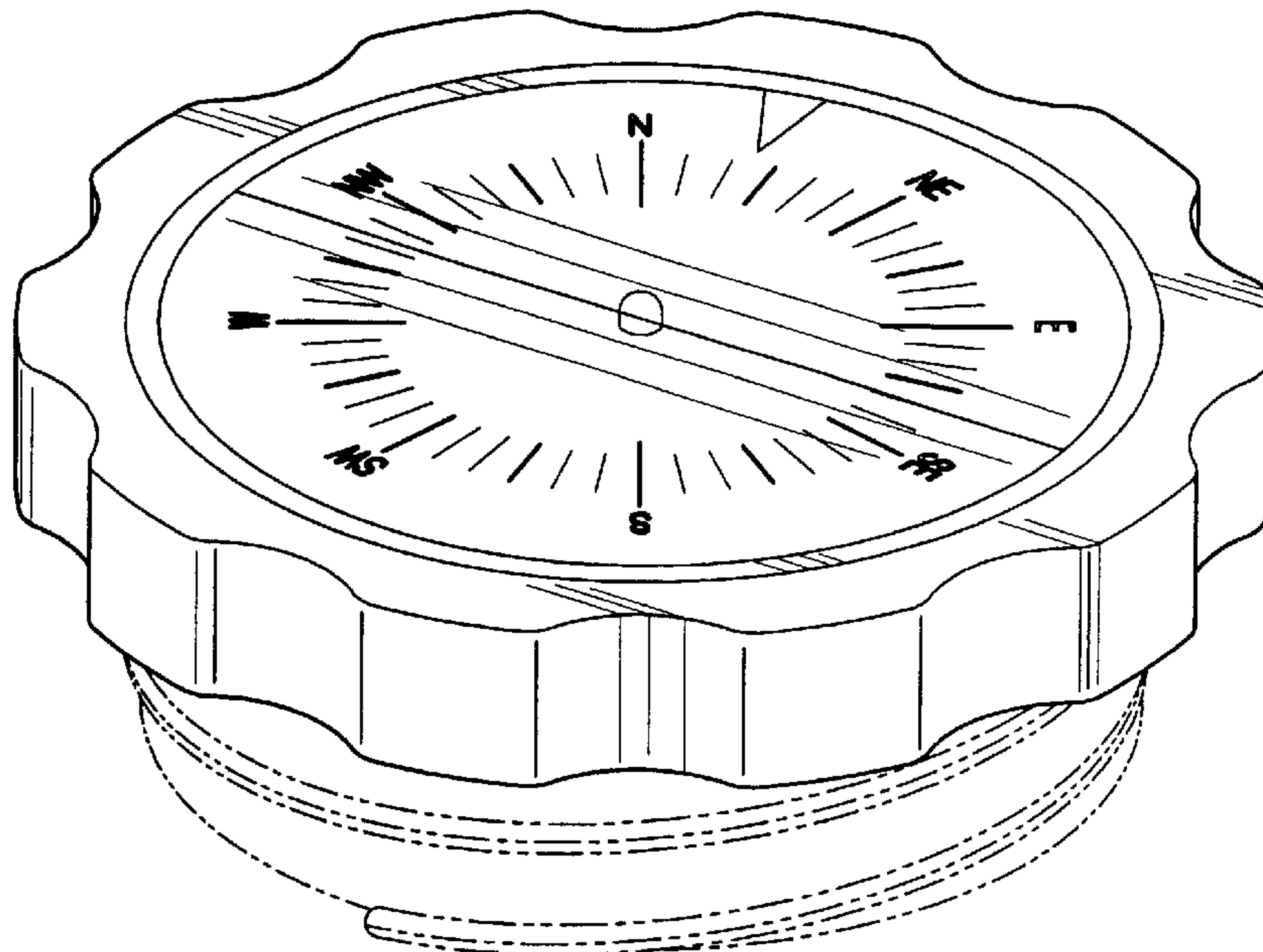


Fig-1

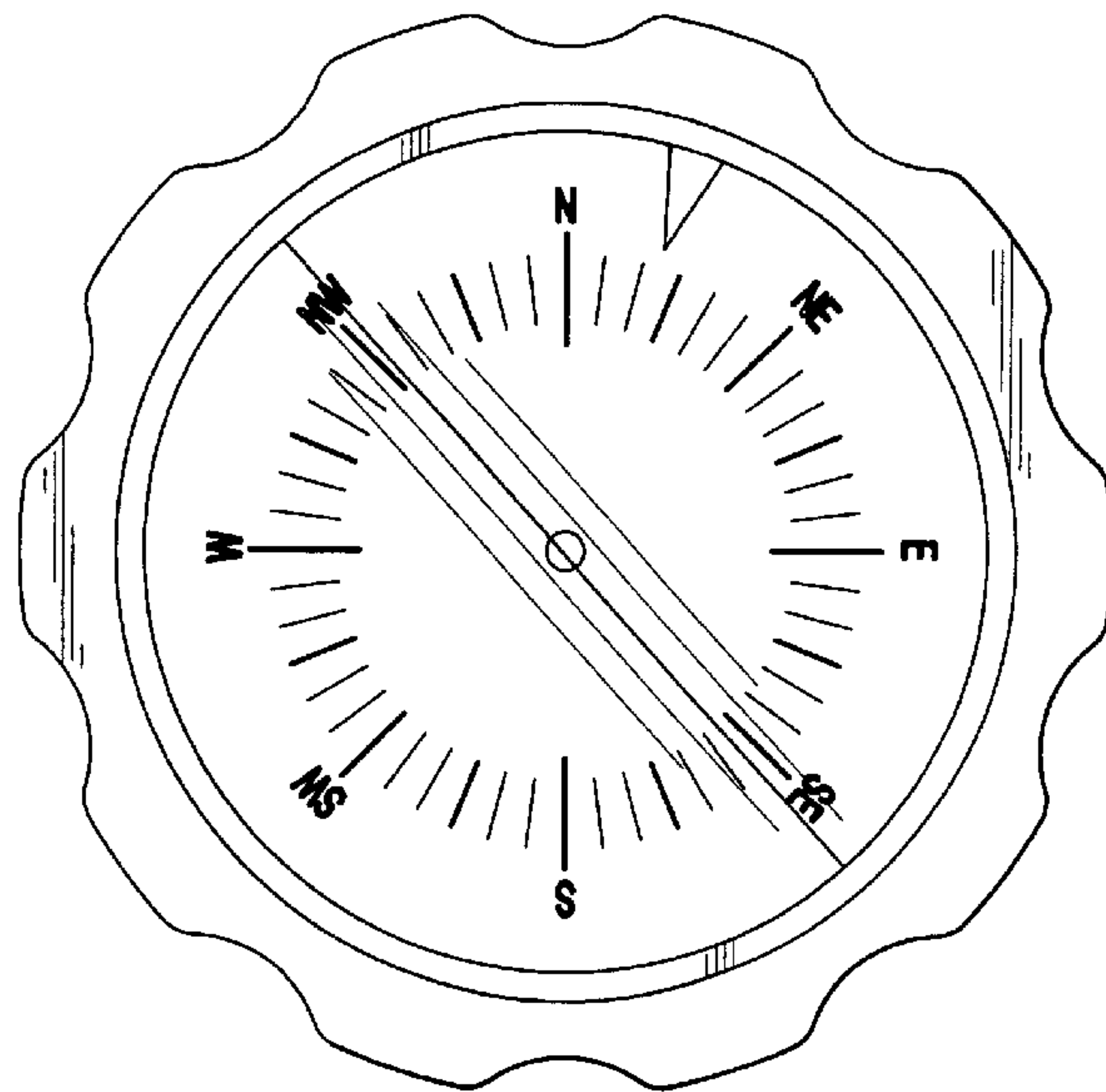
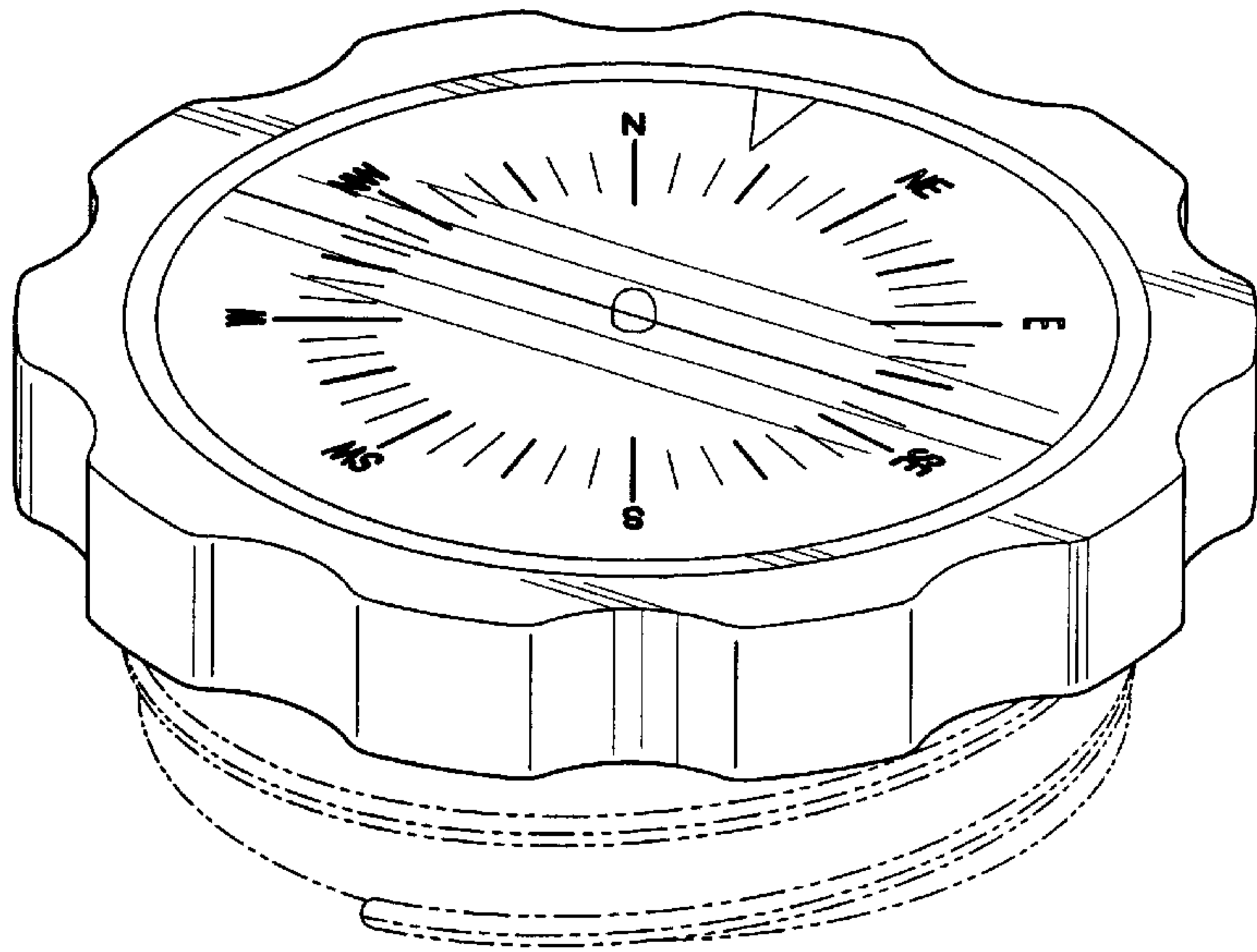


Fig-2

Fig-3

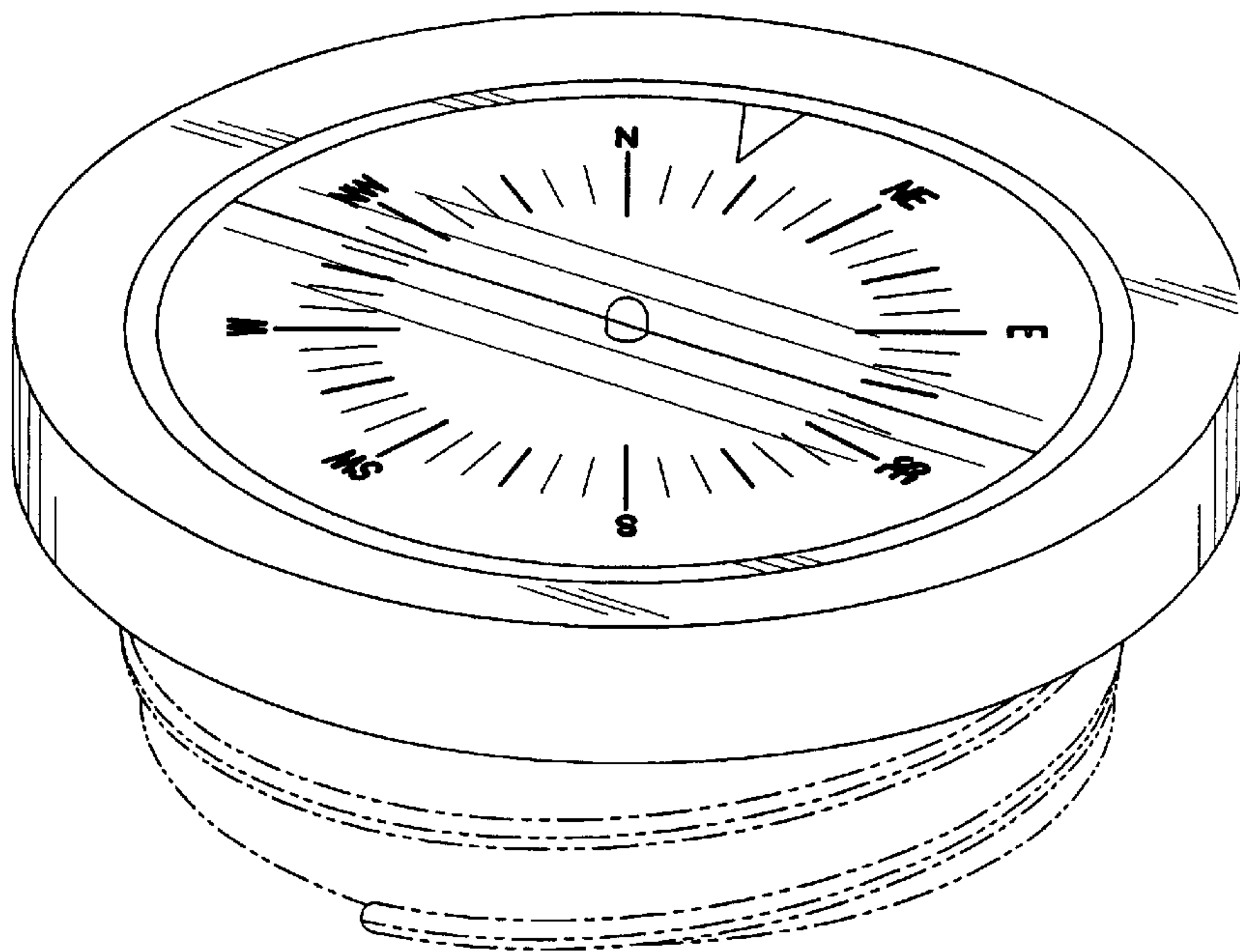
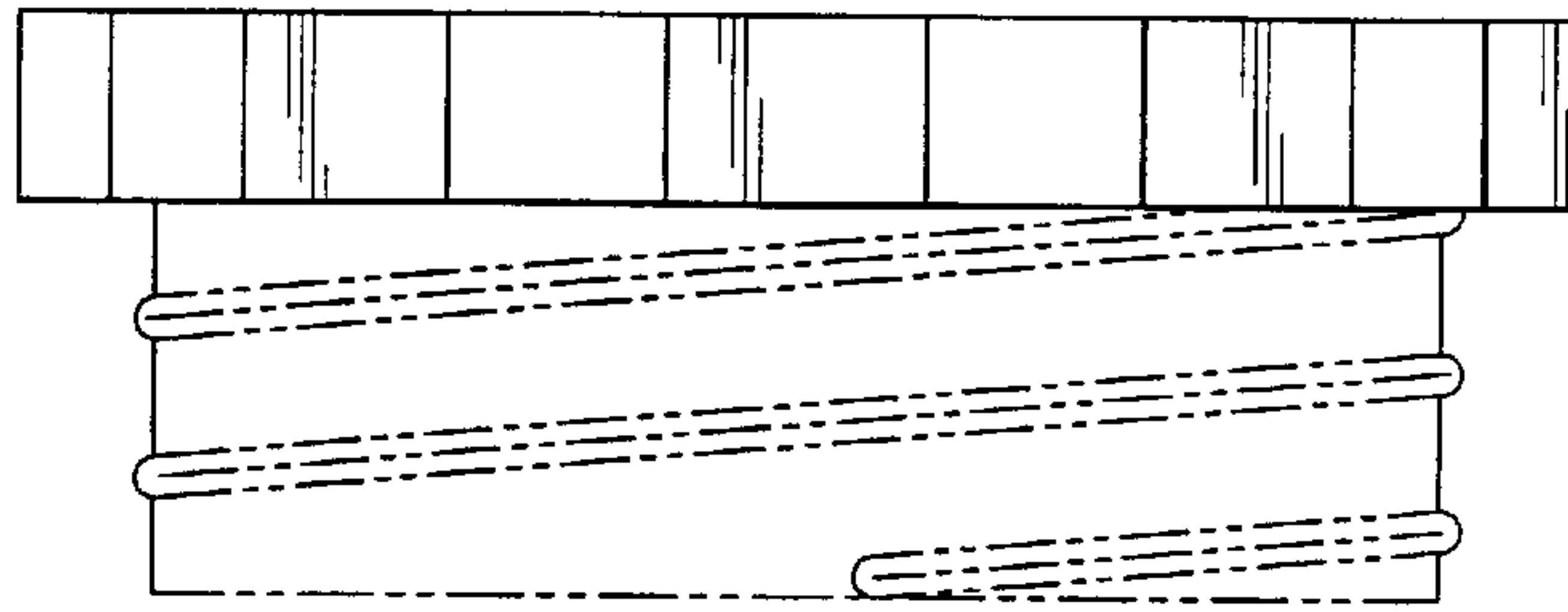


Fig-4