



US00D488396S

(12) **United States Design Patent**
Trerice

(10) **Patent No.:** **US D488,396 S**

(45) **Date of Patent:** **** Apr. 13, 2004**

(54) **SOLAR DIGITAL INDUSTRIAL THERMOMETER**

D385,499 S 10/1997 Weiss

* cited by examiner

(75) Inventor: **Howard O. Trerice**, Harrison Township, MI (US)

Primary Examiner—Antoine Duval Davis
(74) *Attorney, Agent, or Firm*—Gifford, Krass, Groh, Sprinkle, Anderson & Citkowski, PC

(73) Assignee: **Miljoco, Corp.**, Warren, MI (US)

(57) **CLAIM**

(**) Term: **14 Years**

The ornamental design for a solar digital industrial thermometer, as shown and described.

(21) Appl. No.: **29/179,963**

DESCRIPTION

(22) Filed: **Apr. 17, 2003**

(51) **LOC (7) Cl.** **10-04**

(52) **U.S. Cl.** **D10/57**

(58) **Field of Search** D10/57; 364/557;
374/10, 141, 163, 170-171, 208

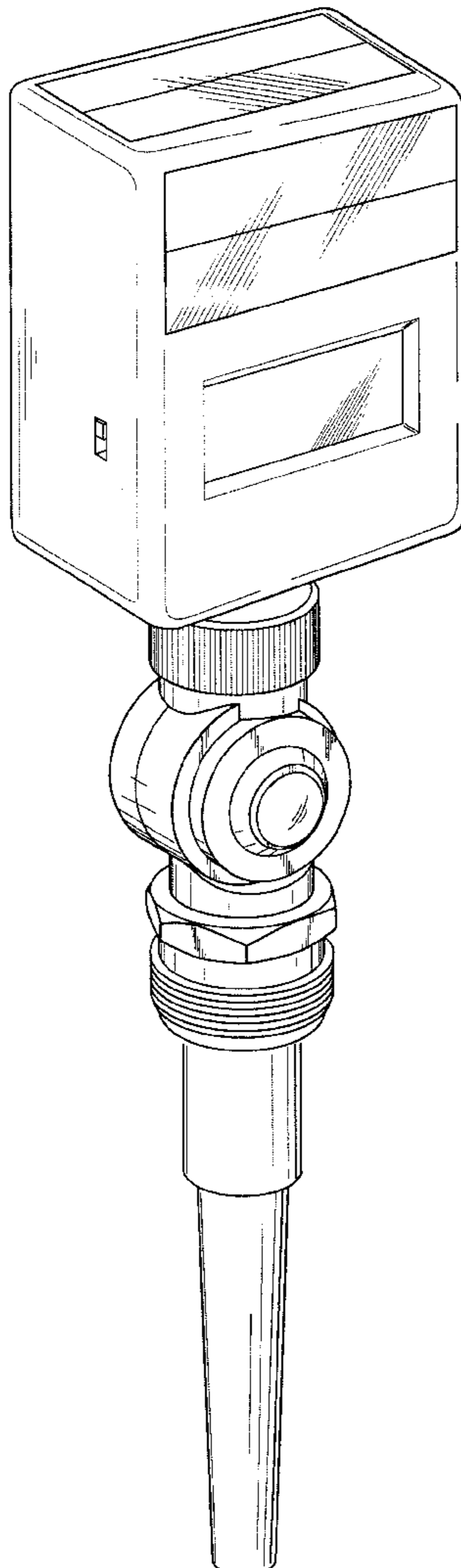
FIG. 1 is a perspective view of a solar digital industrial thermometer showing my new design;
FIG. 2 is a left side elevational view thereof;
FIG. 3 is a front elevational view thereof;
FIG. 4 is a rear elevational view thereof;
FIG. 5 is a right side elevational view thereof;
FIG. 6 is a top plan view thereof; and,
FIG. 7 is a bottom plan view thereof.

(56) **References Cited**

U.S. PATENT DOCUMENTS

4,536,851 A * 8/1985 Germanton et al. 702/131

1 Claim, 3 Drawing Sheets



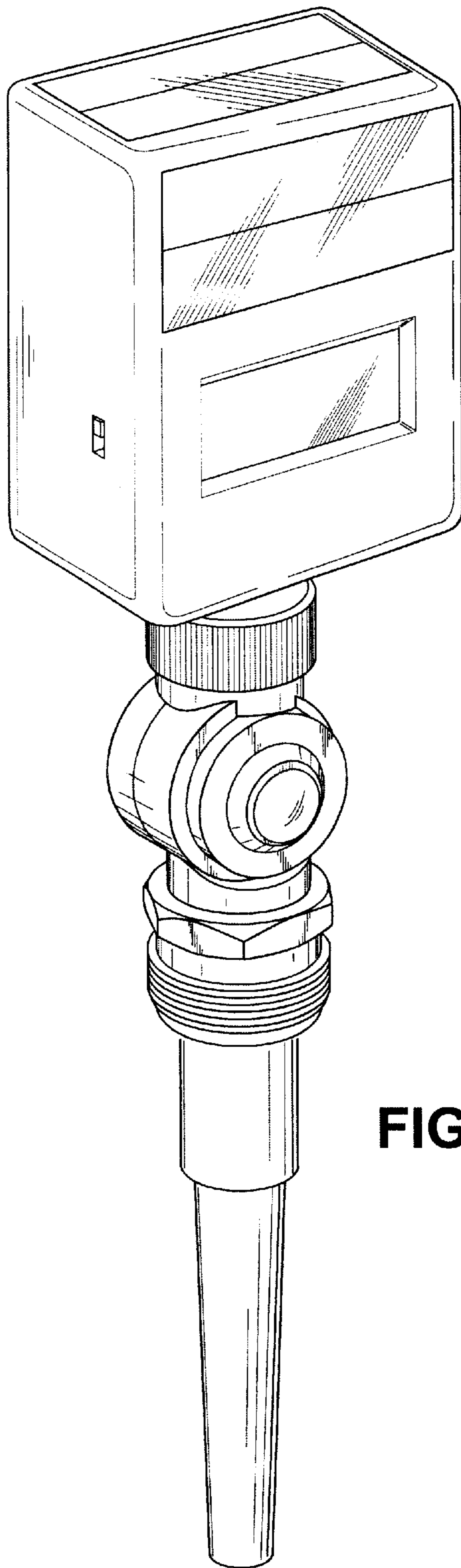


FIG - 1

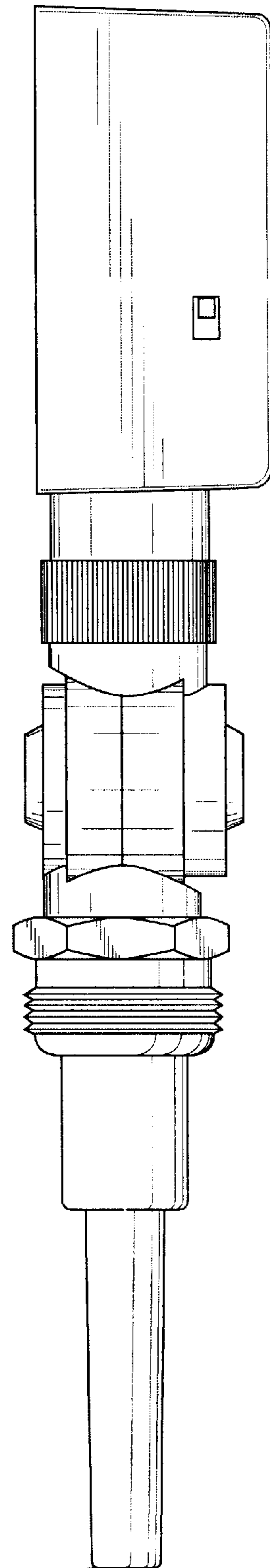


FIG - 2

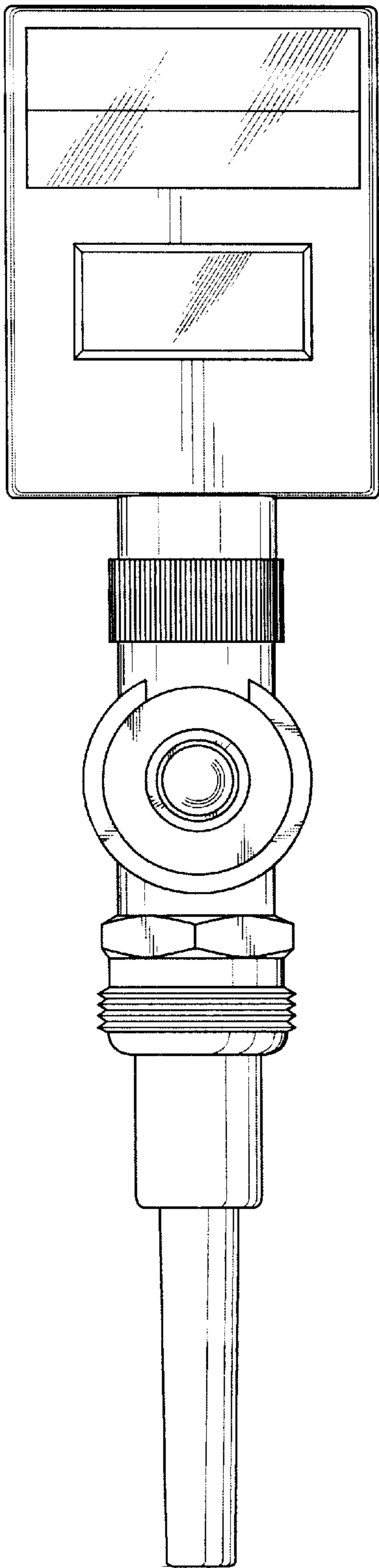


FIG - 3

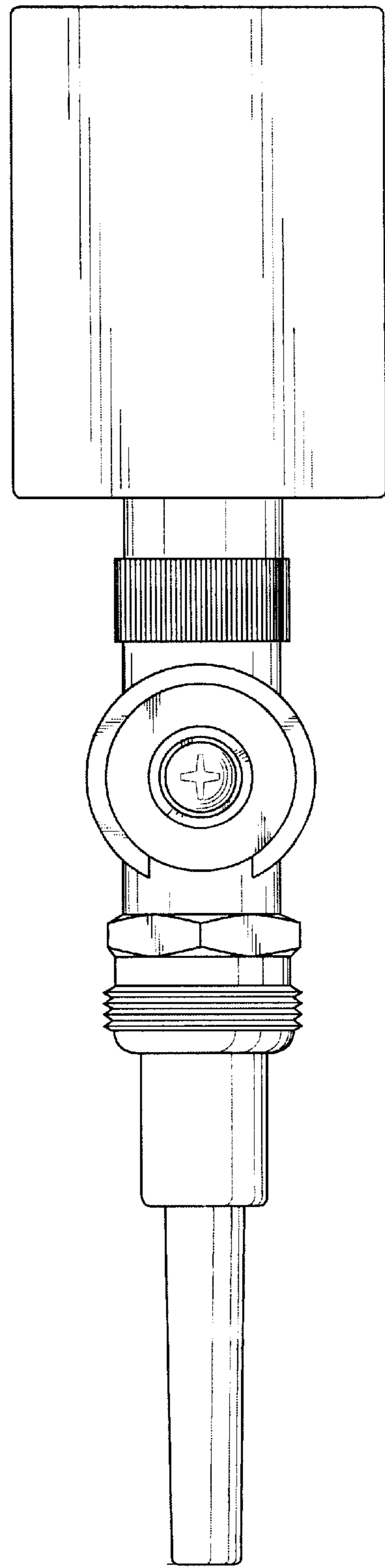


FIG - 4

FIG - 5

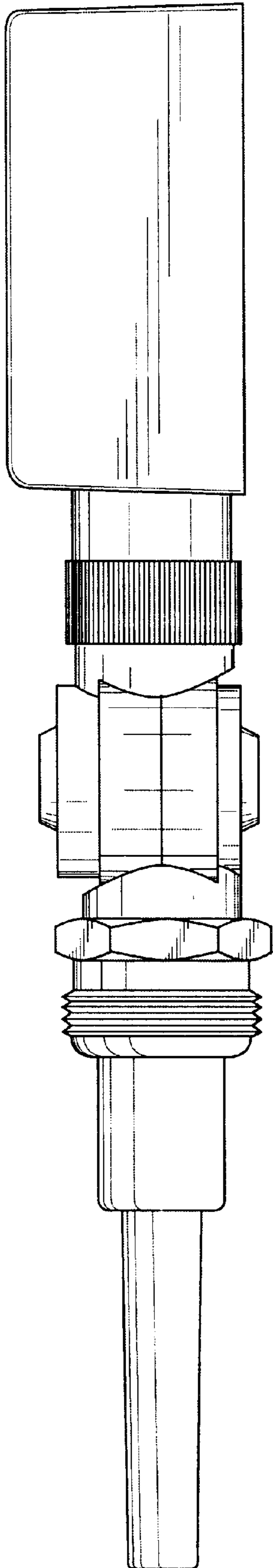


FIG - 6

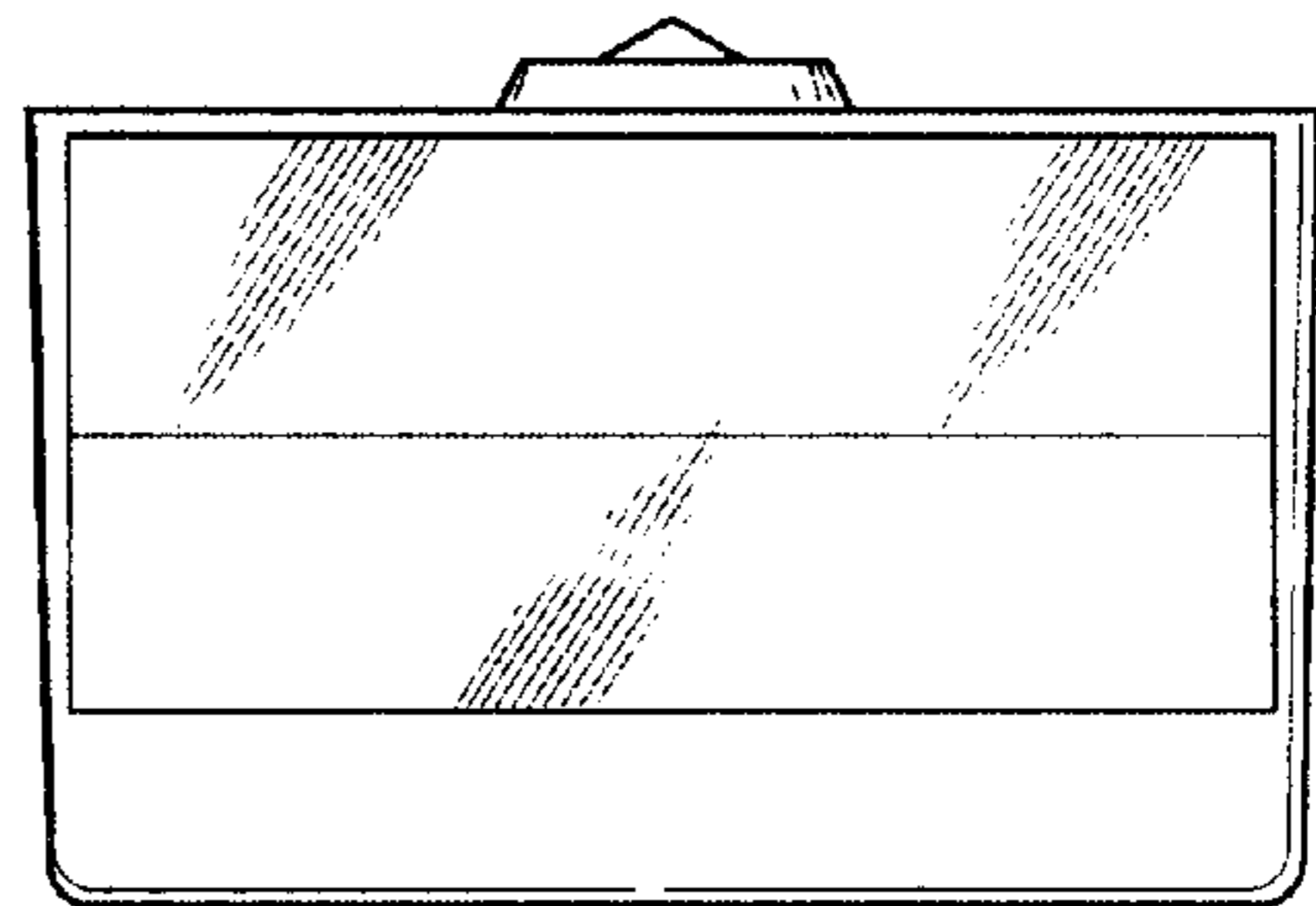


FIG - 7

