



US00D488391S

(12) **United States Design Patent**
Kume

(10) **Patent No.:** **US D488,391 S**

(45) **Date of Patent:** **** Apr. 13, 2004**

(54) **WATCH**

(75) **Inventor:** **Toshiaki Kume, Chiba (JP)**

(73) **Assignee:** **Seiko Instruments Inc., Chiba (JP)**

(**) **Term:** **14 Years**

(21) **Appl. No.:** **29/183,937**

(22) **Filed:** **Jun. 20, 2003**

(30) **Foreign Application Priority Data**

Dec. 25, 2002 (JP) 2002-035826

(51) **LOC (7) Cl.** **10-02**

(52) **U.S. Cl.** **D10/32**

(58) **Field of Search** D10/1-39, 122-132;
368/276-277, 285, 281-282; 224/164, 168,
178; D11/3-25; 63/1.11, 3, 5, 11

(56) **References Cited**

U.S. PATENT DOCUMENTS

- D296,675 S * 7/1988 Jones et al. D10/31
- D319,590 S * 9/1991 Houlihan D10/31
- D342,740 S * 12/1993 Parker D14/218
- D361,280 S * 8/1995 Hanagata D10/31

- D404,316 S * 1/1999 Azegami et al. D10/30
- D444,395 S * 7/2001 Upton D10/30
- D449,008 S * 10/2001 Sargent D10/32
- D452,170 S * 12/2001 Tomimatsu D10/30
- D463,748 S * 10/2002 Lepeu et al. D10/30
- D463,750 S * 10/2002 Tomimatsu D10/128

* cited by examiner

Primary Examiner—Nelson C. Holtje
(74) *Attorney, Agent, or Firm*—Finnegan, Henderson, Farabow, Garrett, & Dunner, L.L.P.

(57) **CLAIM**

The ornamental design for a watch, as shown and described.

DESCRIPTION

FIG. 1 is a perspective view of the front, bottom and right side of a watch showing my new design;
FIG. 2 is a front view thereof;
FIG. 3 is a rear view thereof;
FIG. 4 is a left side view thereof;
FIG. 5 is a right side view thereof;
FIG. 6 is a top plan view thereof; and,
FIG. 7 is a bottom view thereof.

1 Claim, 5 Drawing Sheets

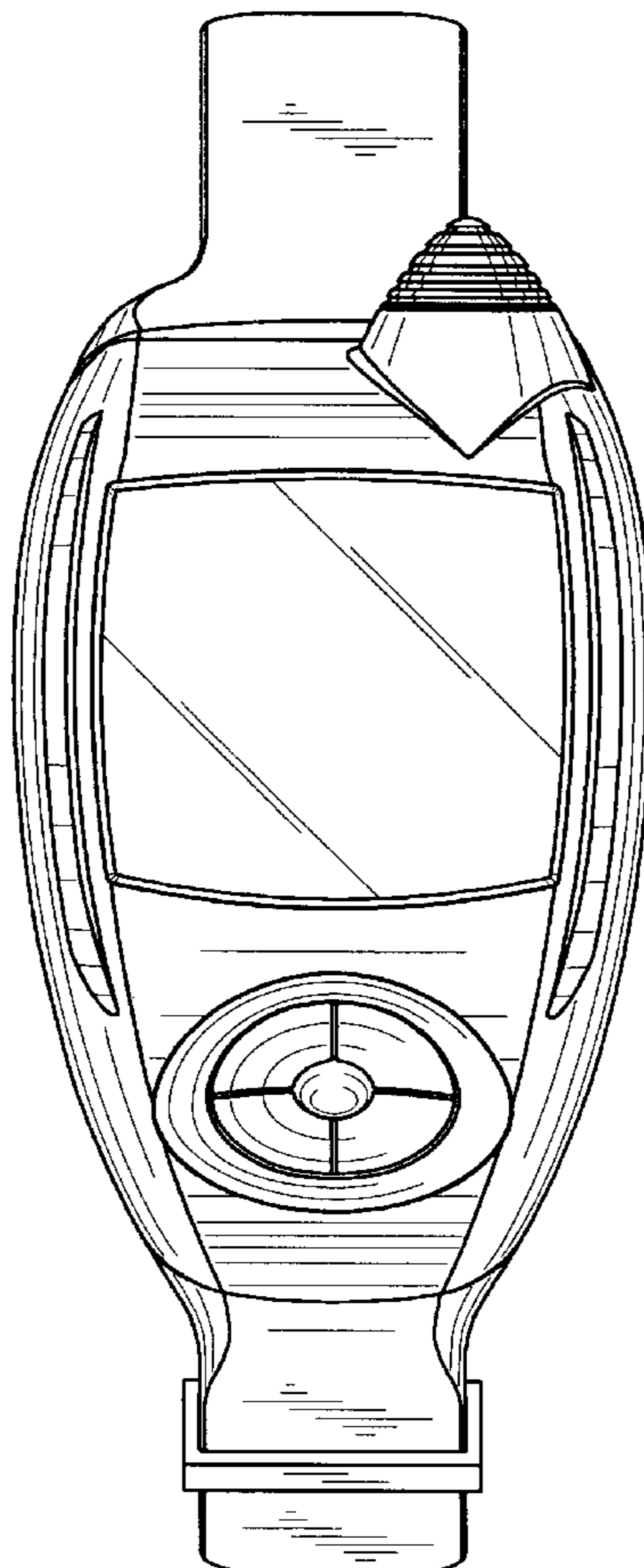


FIG. 1

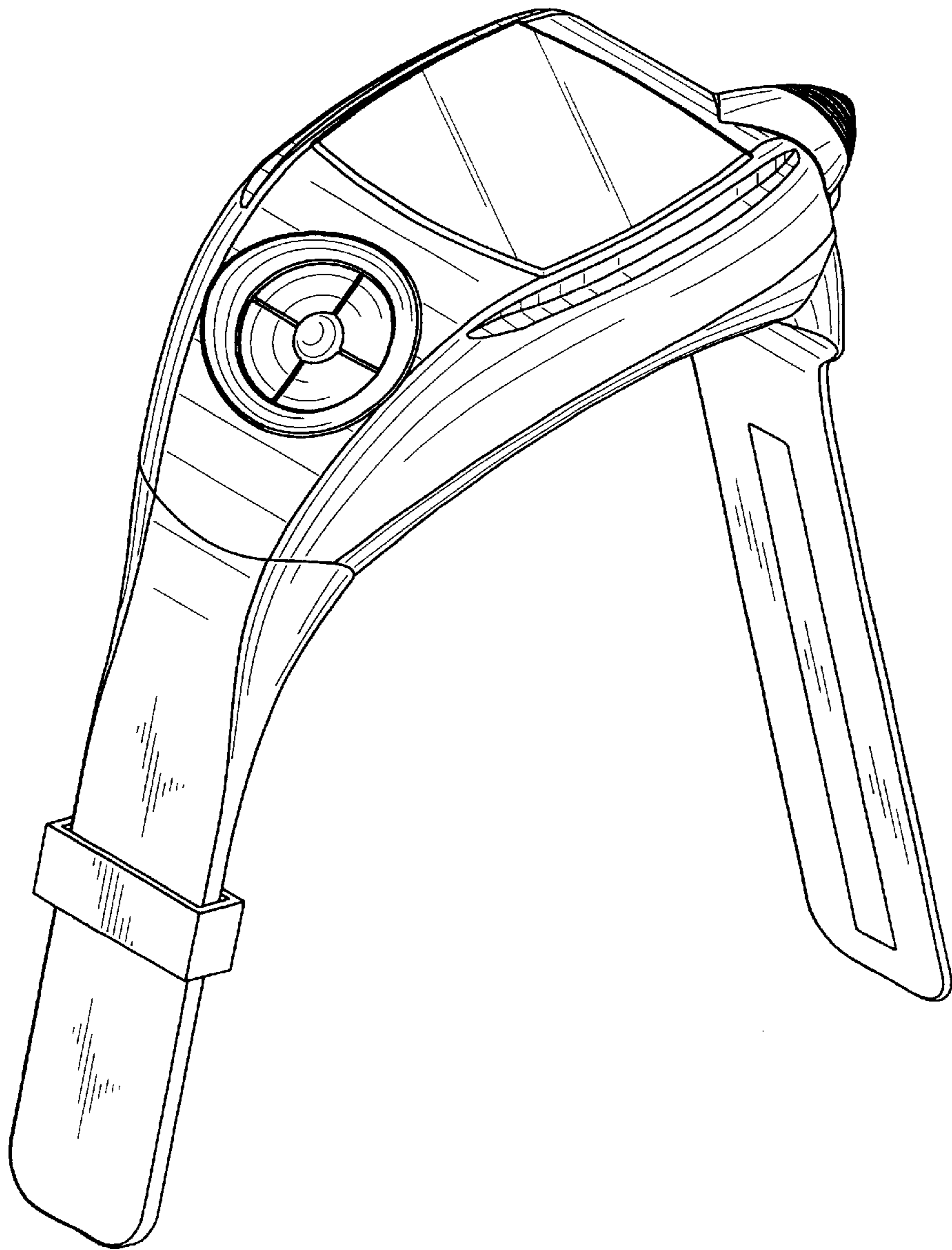


FIG. 2

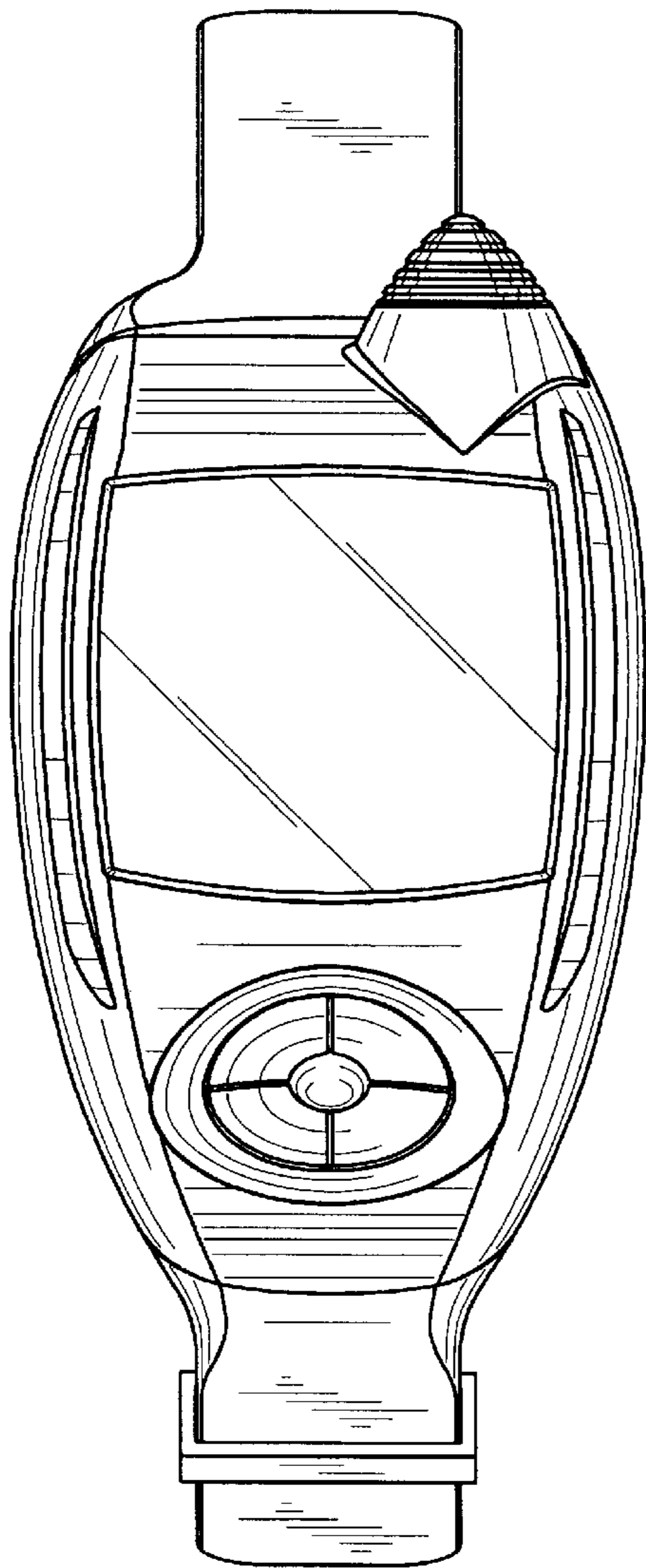


FIG. 3

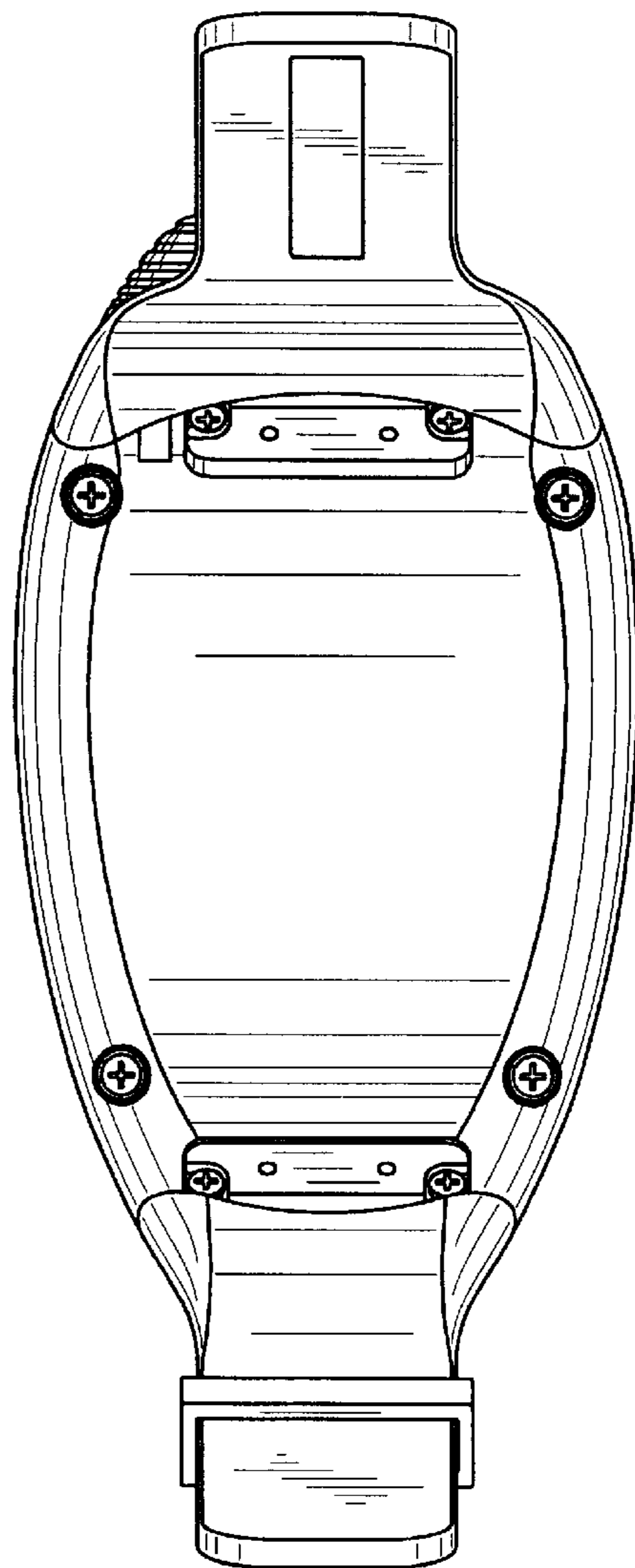
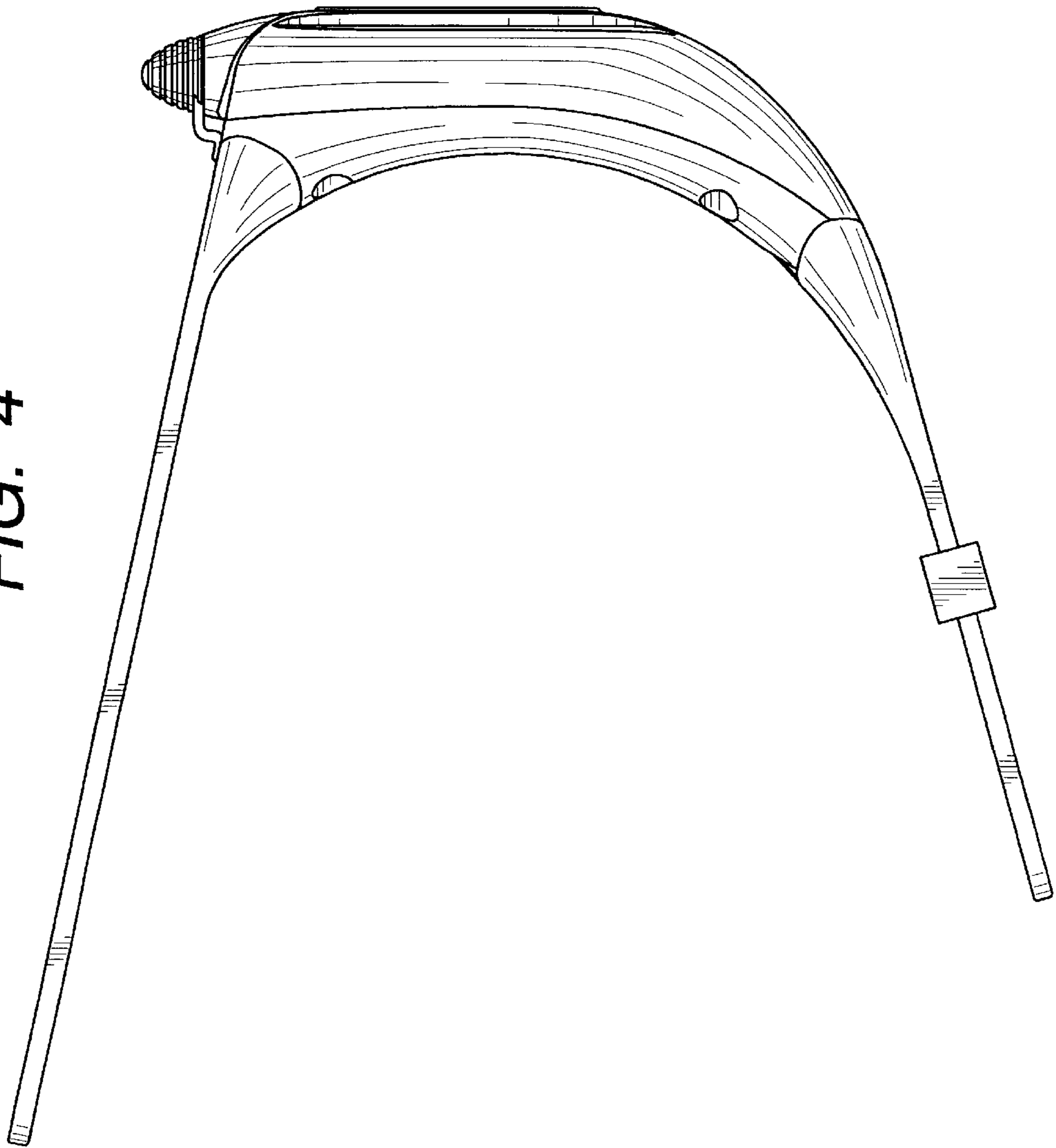


FIG. 4



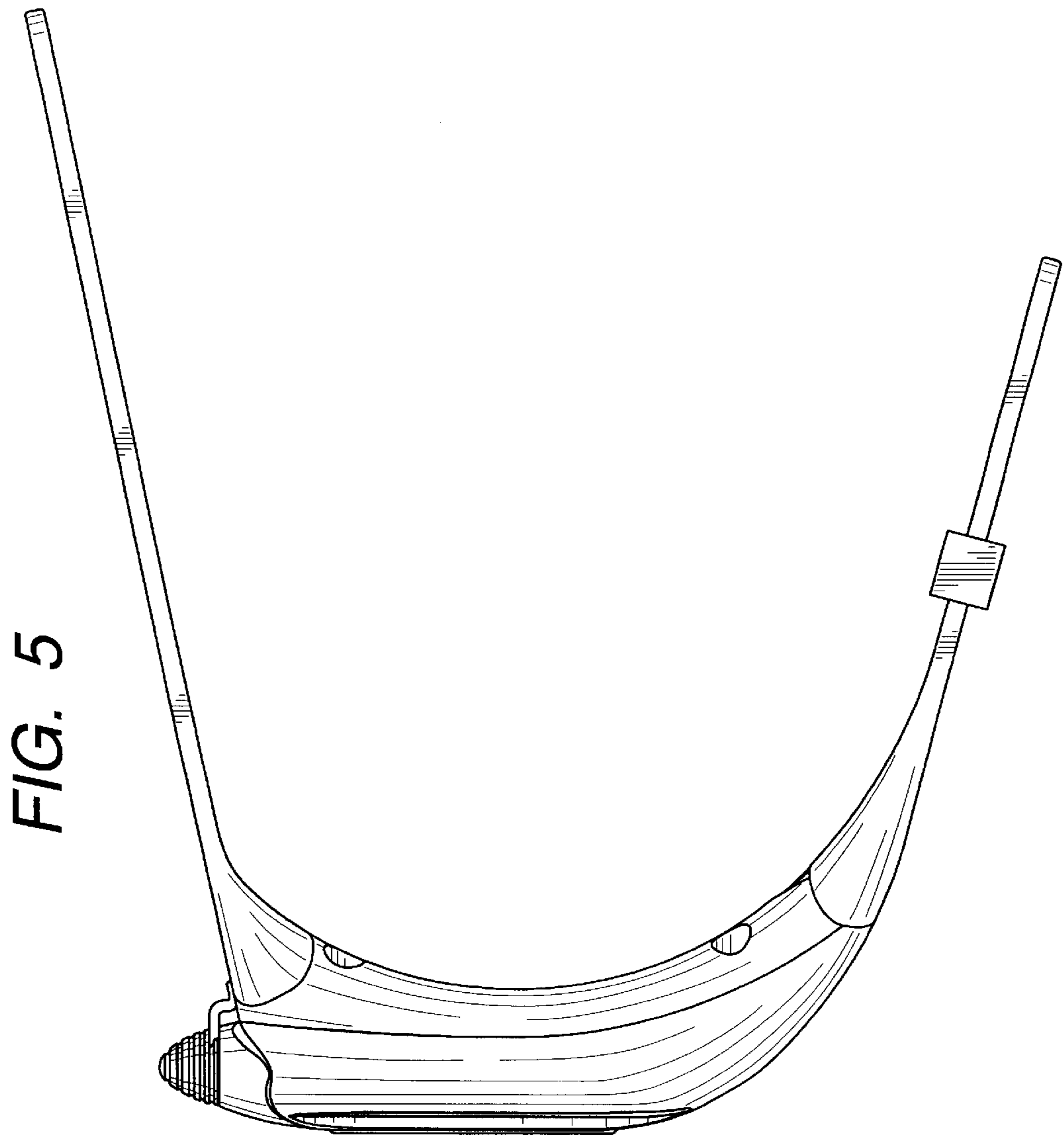


FIG. 6

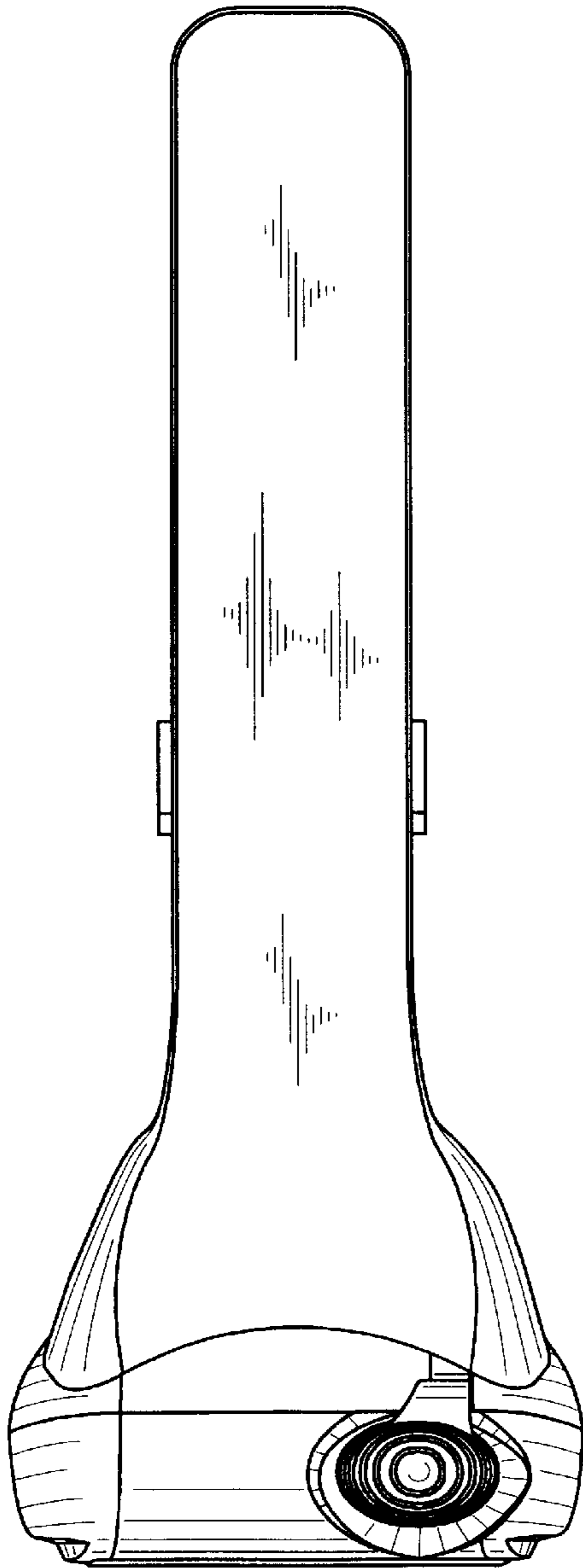


FIG. 7

