



US00D488389S

(12) **United States Design Patent**
Moriai et al.

(10) **Patent No.:** **US D488,389 S**

(45) **Date of Patent:** **** Apr. 13, 2004**

(54) **WATCH CASE**

(75) **Inventors:** **Ryusuke Moriai, Oume (JP); Kotaro Nakazato, Fujimi (JP)**

(73) **Assignee:** **Casio Keisanki Kabushiki Kaisha, Tokyo (JP)**

(**) **Term:** **14 Years**

(21) **Appl. No.:** **29/187,408**

(22) **Filed:** **Jul. 30, 2003**

(51) **LOC (7) Cl.** **10-02**

(52) **U.S. Cl.** **D10/30**

(58) **Field of Search** D10/1-40, 122-132;
368/28-30, 41-44, 82-84, 239-242, 276-277,
280-282, 285

(56) **References Cited**

U.S. PATENT DOCUMENTS

D402,898 S	*	12/1998	Hanagata	D10/30
D407,025 S	*	3/1999	Hanagata	D10/30
D413,527 S	*	9/1999	Hanagata	D10/30
D417,400 S	*	12/1999	Yamamoto	D10/30
D420,295 S	*	2/2000	Oshita	D10/30
D426,472 S	*	6/2000	Oshita	D10/30
D427,083 S	*	6/2000	Yamamoto	D10/30

D427,917 S	*	7/2000	Hanagata	D10/30
D429,467 S	*	8/2000	Kojima	D10/30
D434,674 S	*	12/2000	Shiraishi	D10/30
D451,823 S	*	12/2001	Moriai	D10/30
D456,276 S	*	4/2002	Shiraishi	D10/30
D458,152 S	*	6/2002	Kojima	D10/30
D459,237 S	*	6/2002	Hasegawa	D10/30
D479,691 S	*	9/2003	Goto	D10/30

* cited by examiner

Primary Examiner—Nelson C. Holtje

(74) *Attorney, Agent, or Firm*—Frishauf, Holtz, Goodman & Chick, P.C.

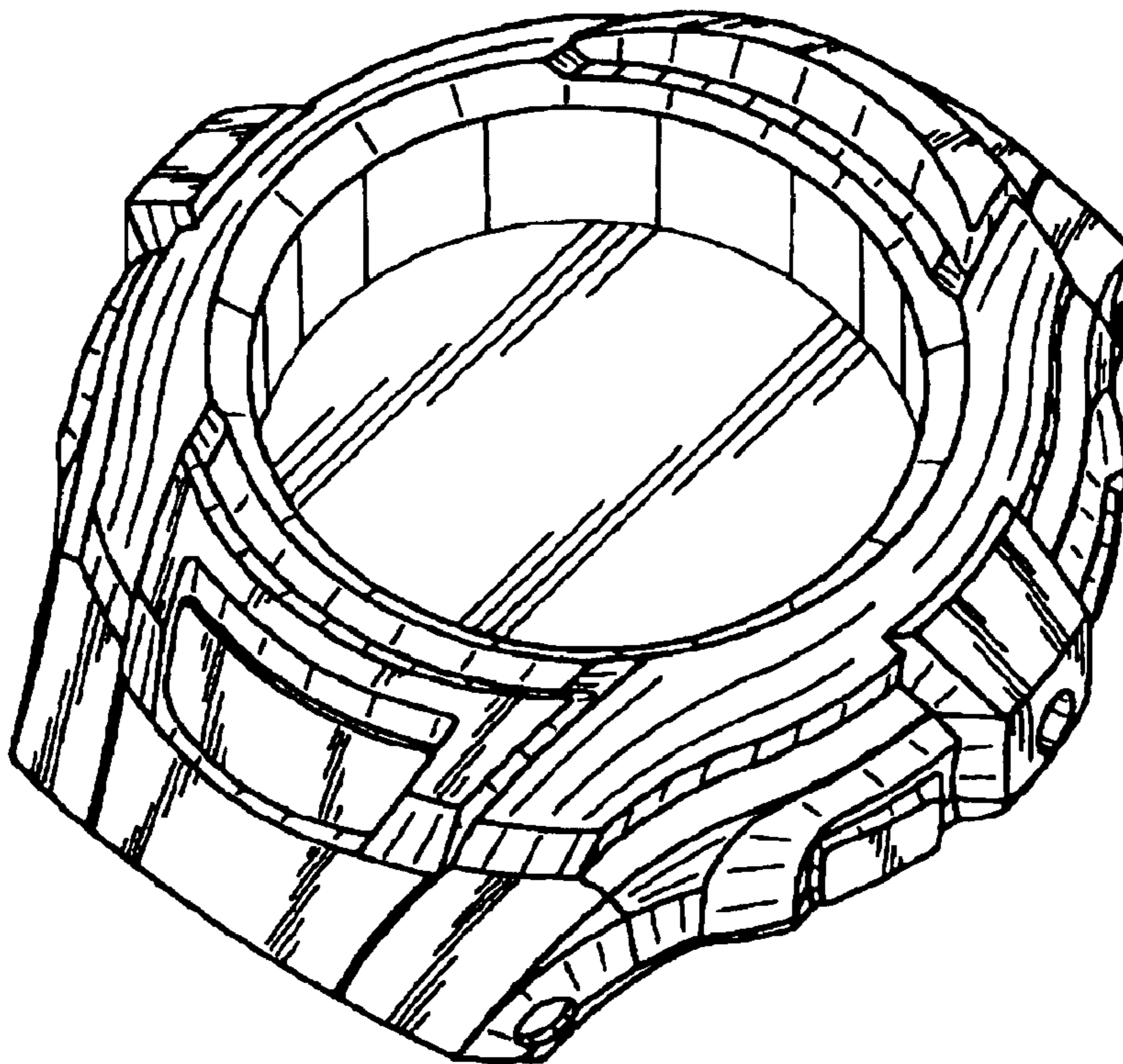
(57) **CLAIM**

The ornamental design for watch case, as shown.

DESCRIPTION

FIG. 1 is a bottom, front, right side perspective view of a watch case showing our new design; FIG. 2 is a front elevational view thereof; FIG. 3 is a rear elevational view thereof; FIG. 4 is a left side view thereof; FIG. 5 is a right side view thereof; FIG. 6 is a top plan view thereof; and, FIG. 7 is a bottom plan view thereof.

1 Claim, 6 Drawing Sheets



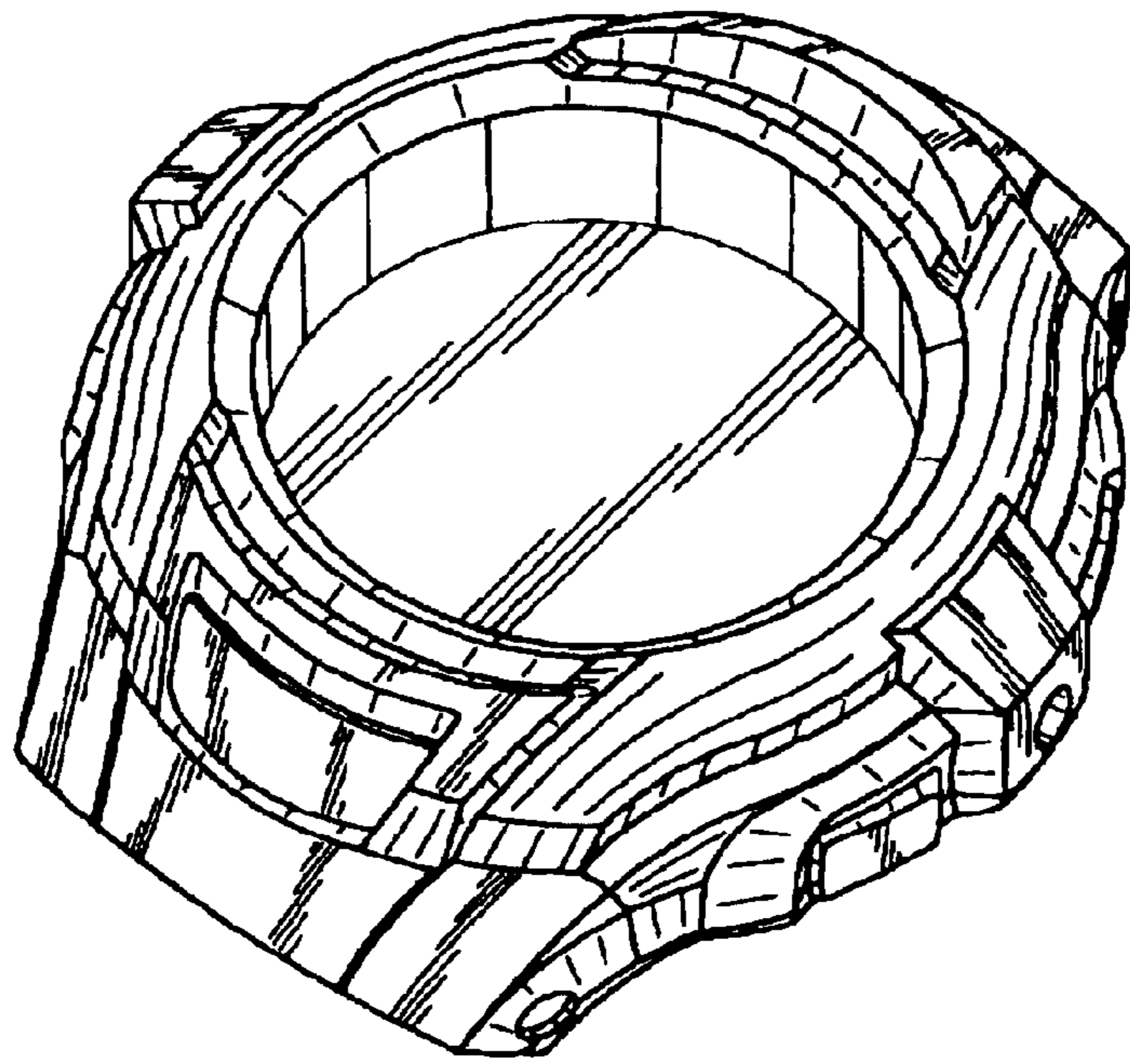


FIG. 1

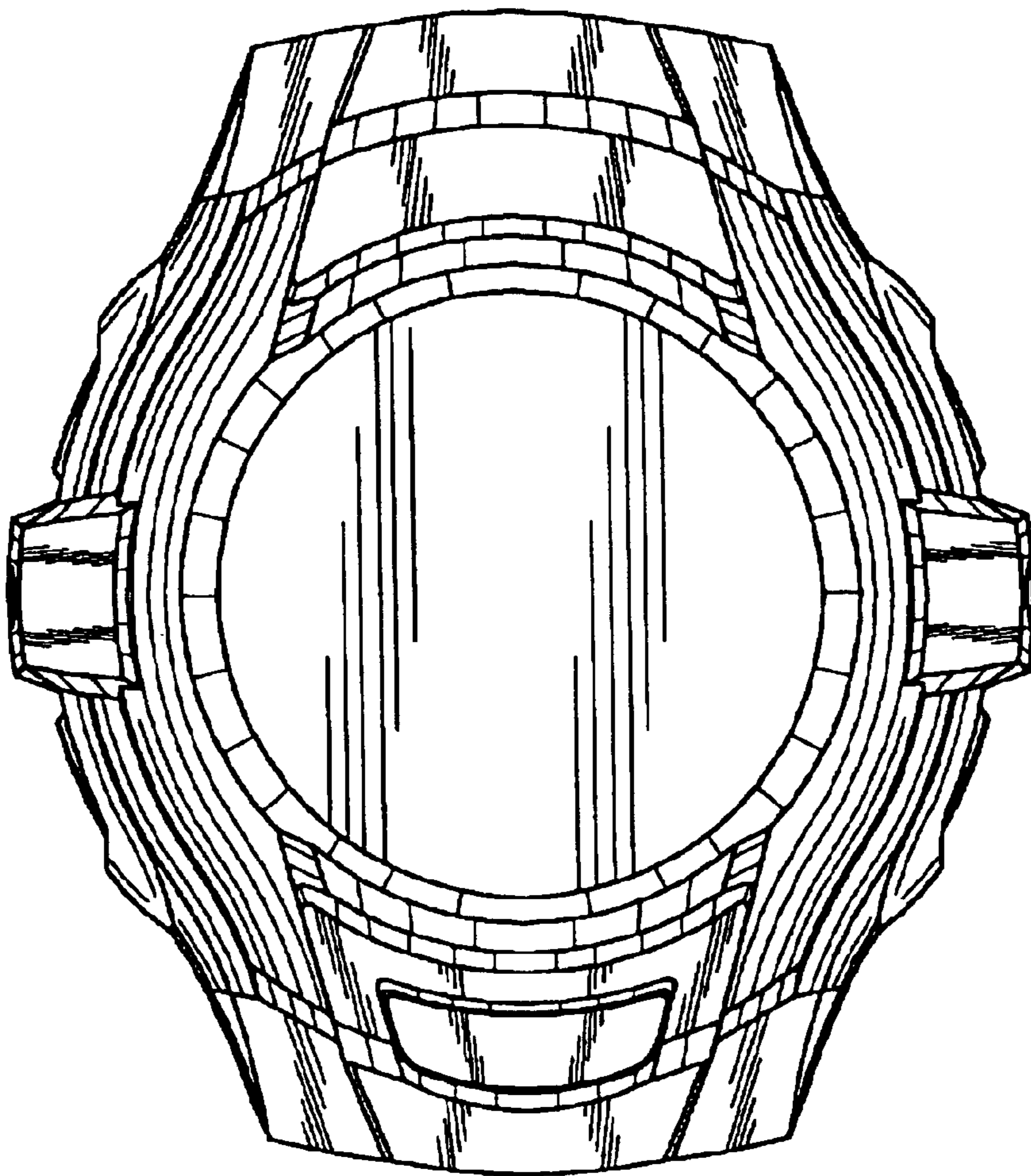


FIG. 2

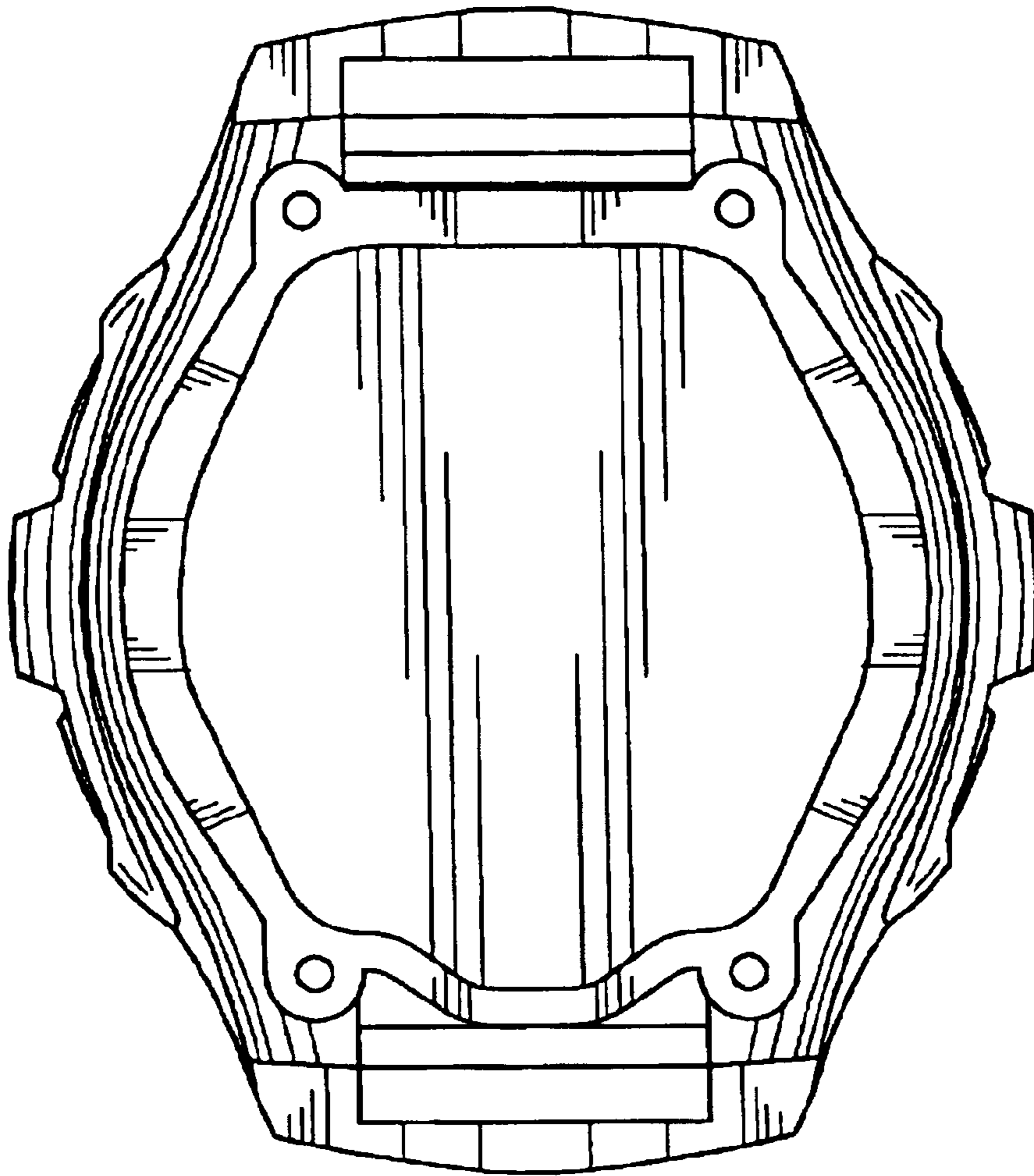


FIG. 3

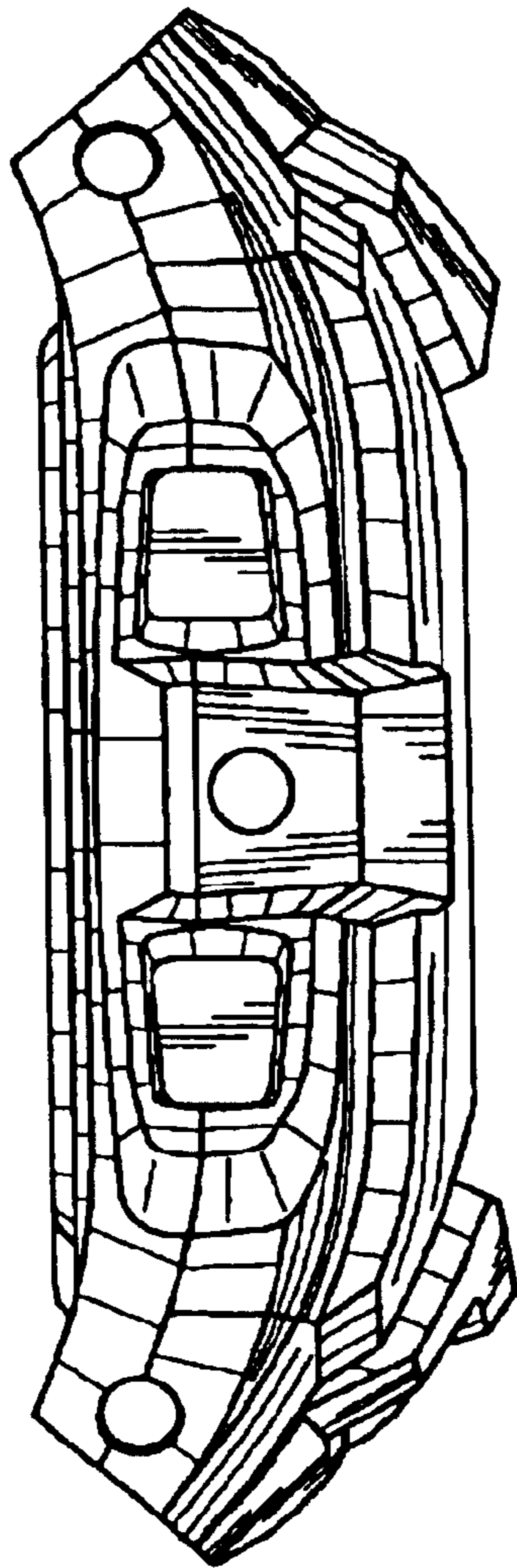


FIG. 4

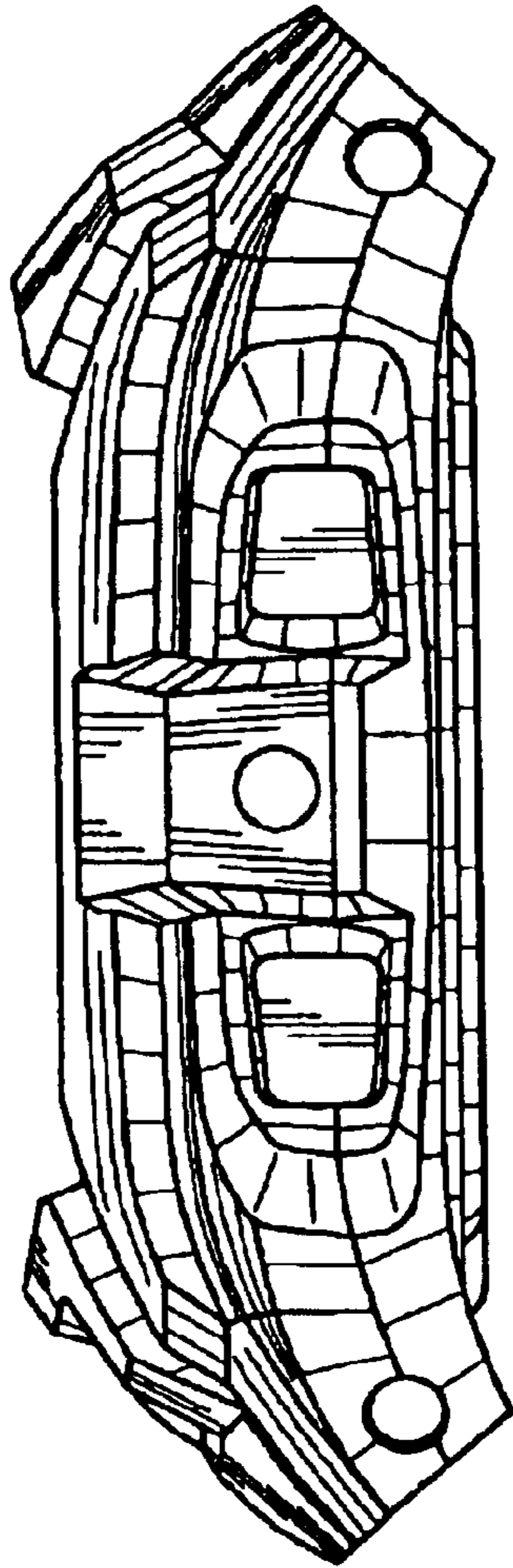


FIG. 5

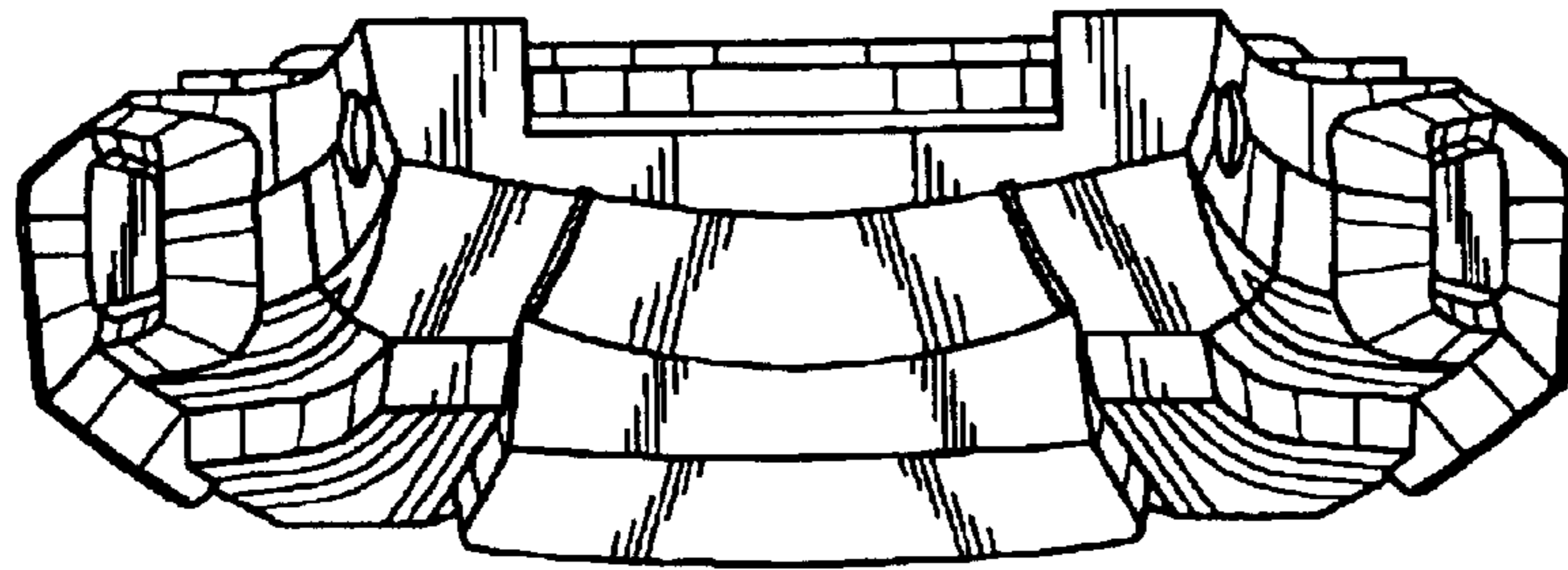


FIG. 6

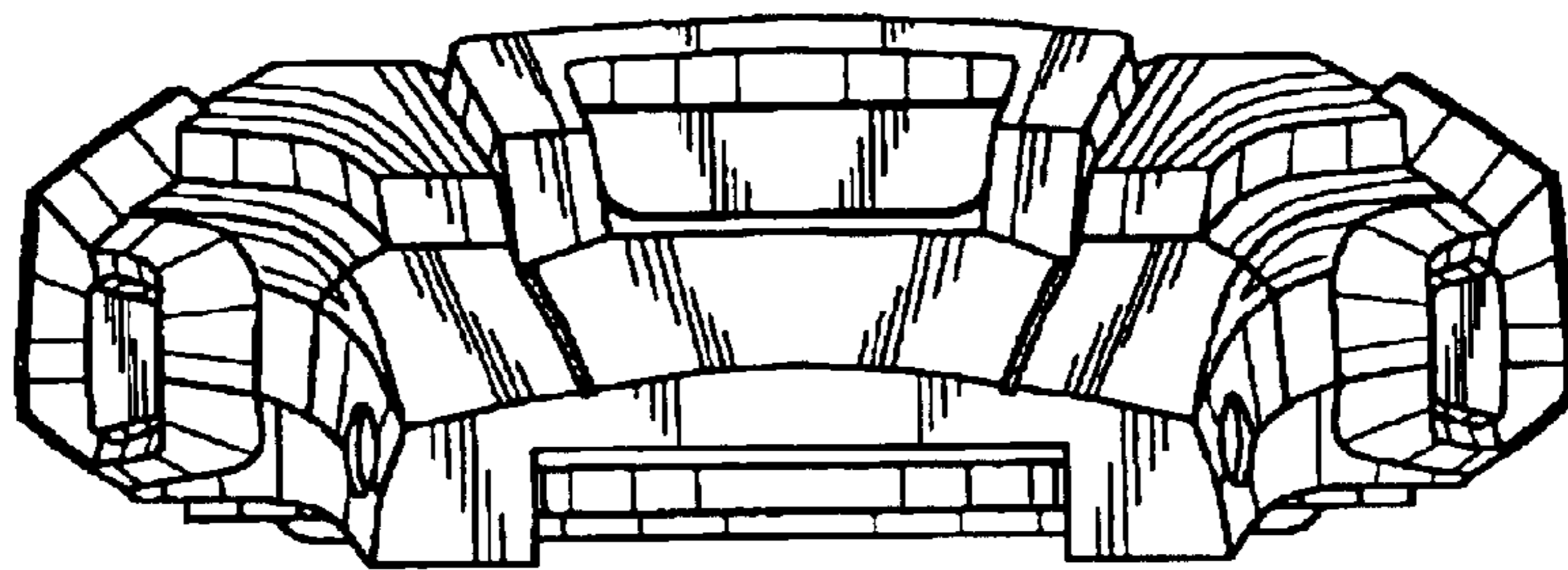


FIG. 7