



US00D488388S

(12) **United States Design Patent**
Bertucci

(10) **Patent No.:** **US D488,388 S**

(45) **Date of Patent:** **** Apr. 13, 2004**

(54) **WATCH CASING**

(76) **Inventor:** **Michael H. Bertucci**, 991 Charles Ave.,
Gurnee, IL (US) 60031

(**) **Term:** **14 Years**

(21) **Appl. No.:** **29/182,990**

(22) **Filed:** **Jun. 4, 2003**

(51) **LOC (7) Cl.** **10-02**

(52) **U.S. Cl.** **D10/30**

(58) **Field of Search** D10/1-40, 122-132;
368/280-282, 276-277, 285, 294-295

(56) **References Cited**

U.S. PATENT DOCUMENTS

2,004,685	A	*	6/1935	Best	24/265	WS
3,585,794	A	*	6/1971	Klingenberg	368/281	
D251,056	S	*	2/1979	Perrin	D10/39	
D382,211	S	*	8/1997	Bodino	D10/30	
D386,423	S	*	11/1997	Sang	D10/30	
D455,354	S	*	4/2002	Parmigiani	D10/30	

* cited by examiner

Primary Examiner—Nelson C. Holtje

(74) *Attorney, Agent, or Firm*—Trexler, Bushnell,
Giangiorgi, Blackstone & Marr, Ltd.

(57) **CLAIM**

I claim the ornamental design for a watch casing, as shown and described.

DESCRIPTION

FIG. 1 is a perspective view of the watch casing according to my design;

FIG. 2 is a top plan view of the watch casing according to my design;

FIG. 3 is a bottom plan view of the watch casing according to my design;

FIG. 4 is a right plan view of the watch casing according to my design;

FIG. 5 is a left plan view of the watch casing according to my design;

FIG. 6 is a front plan view of the watch casing according to my design; and,

FIG. 7 is a back plan view of the watch casing according to my design.

The broken line showing of FIGS. 1-3 of the watch casing is for illustrative purposes only and forms no part of the claimed design.

1 Claim, 3 Drawing Sheets

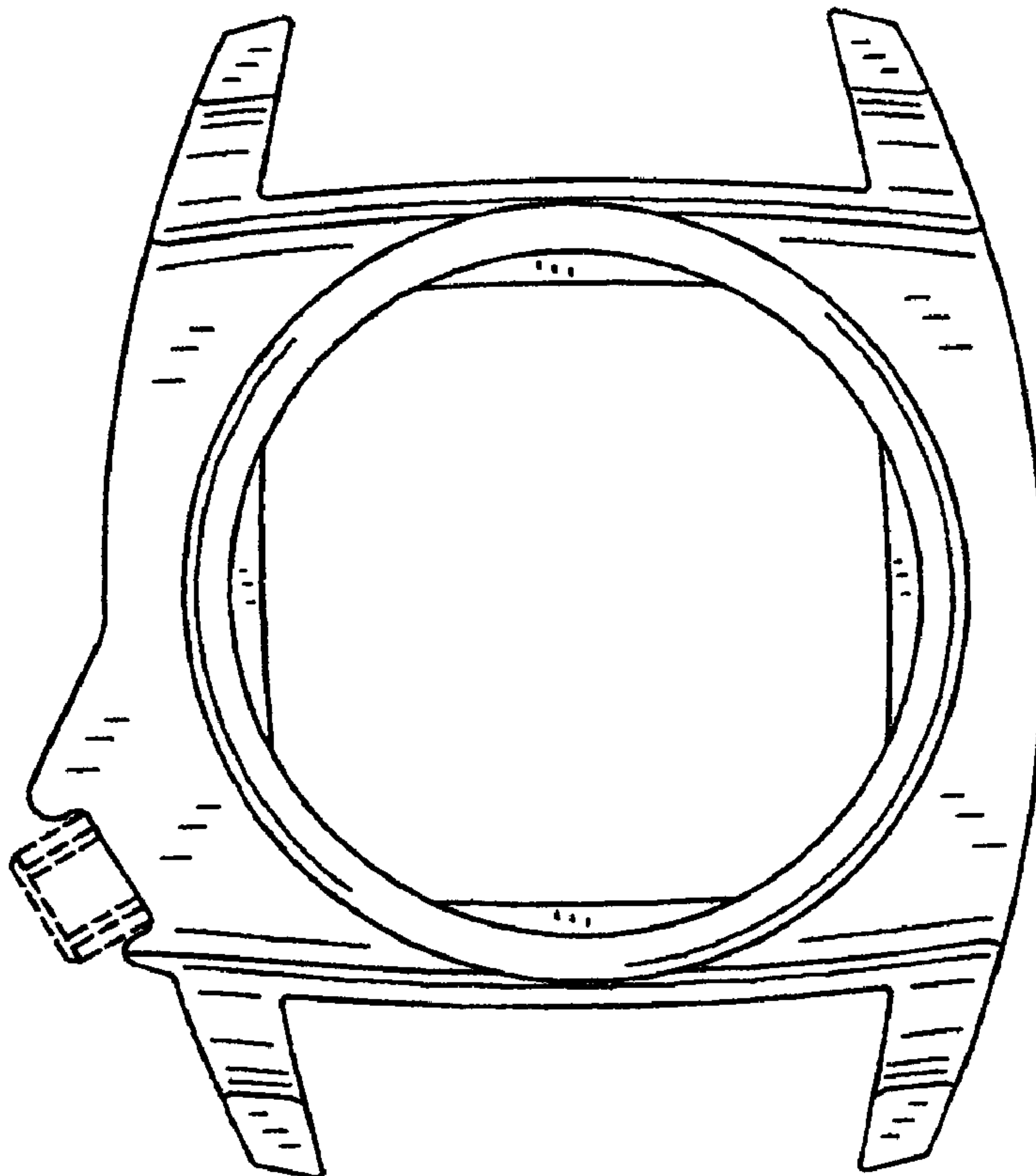


FIG. 1

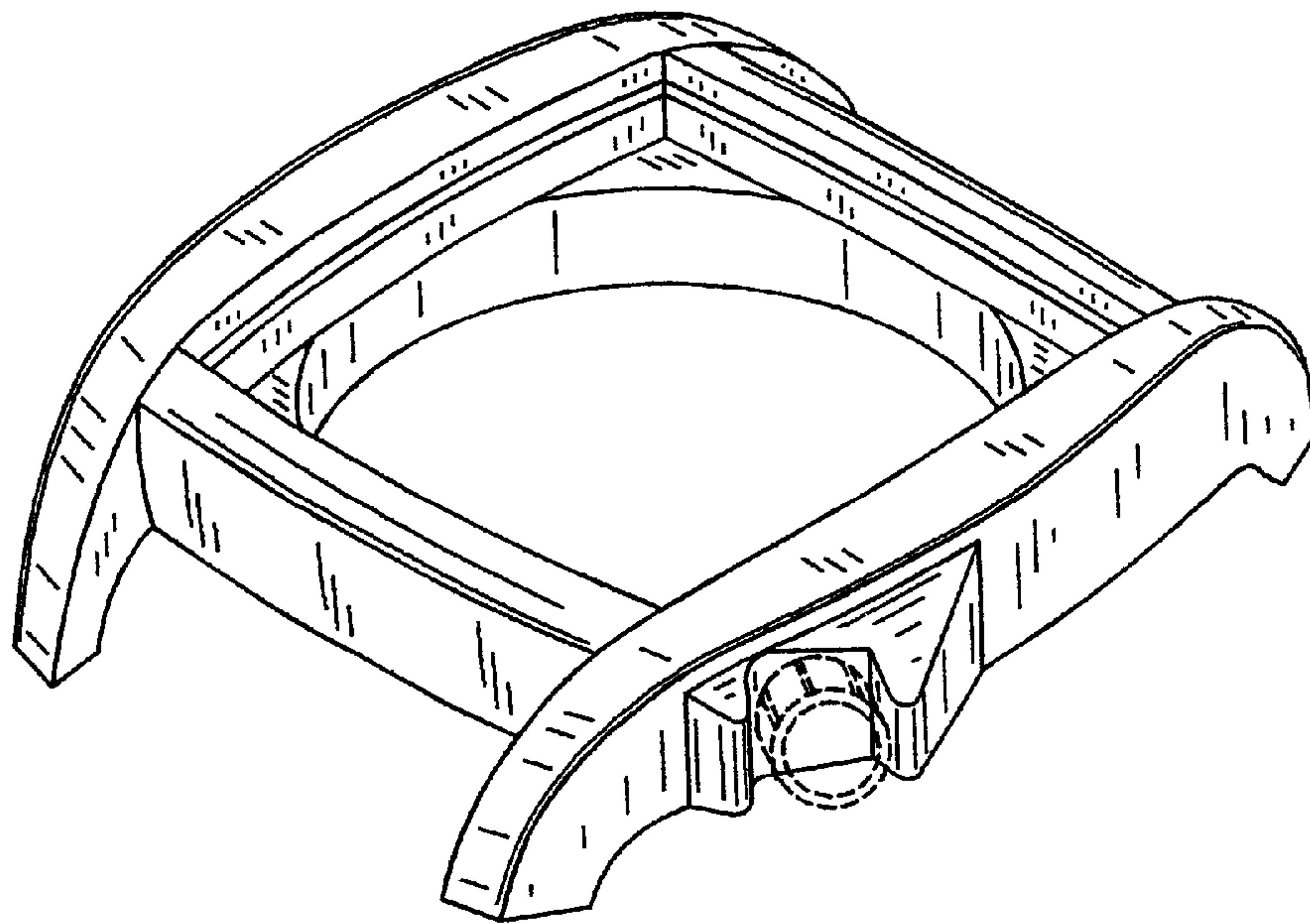


FIG. 2

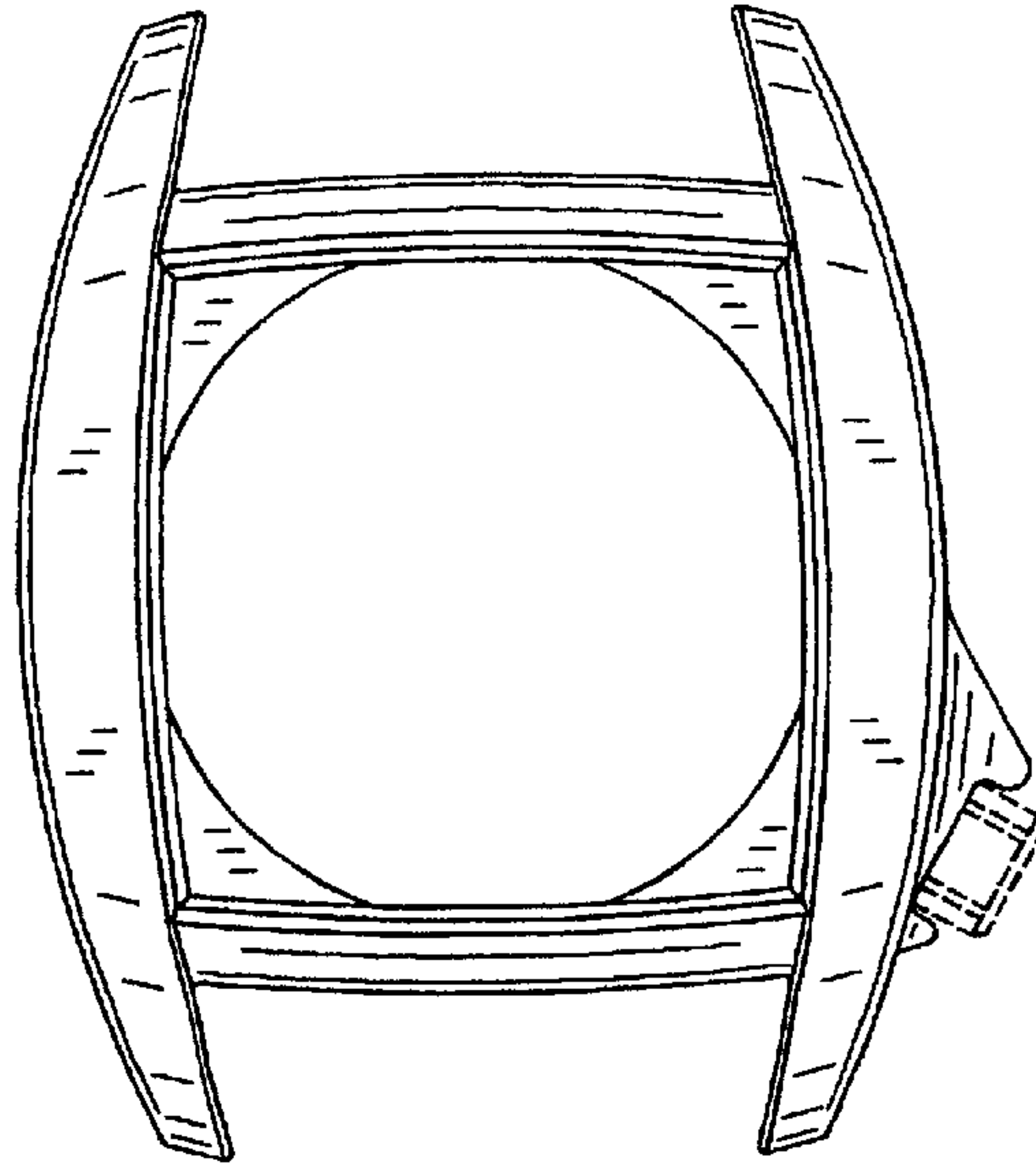


FIG. 3

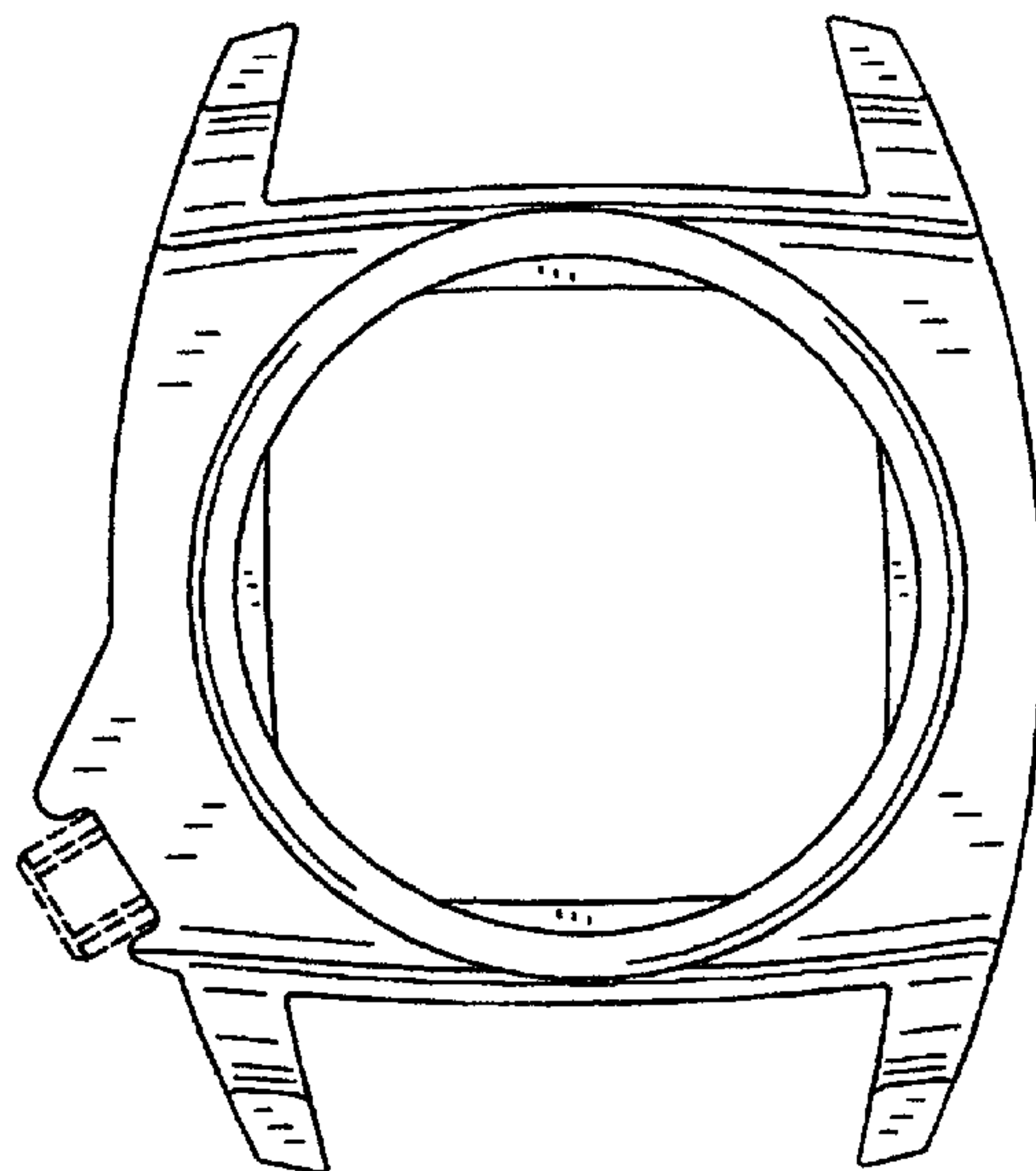


FIG. 4

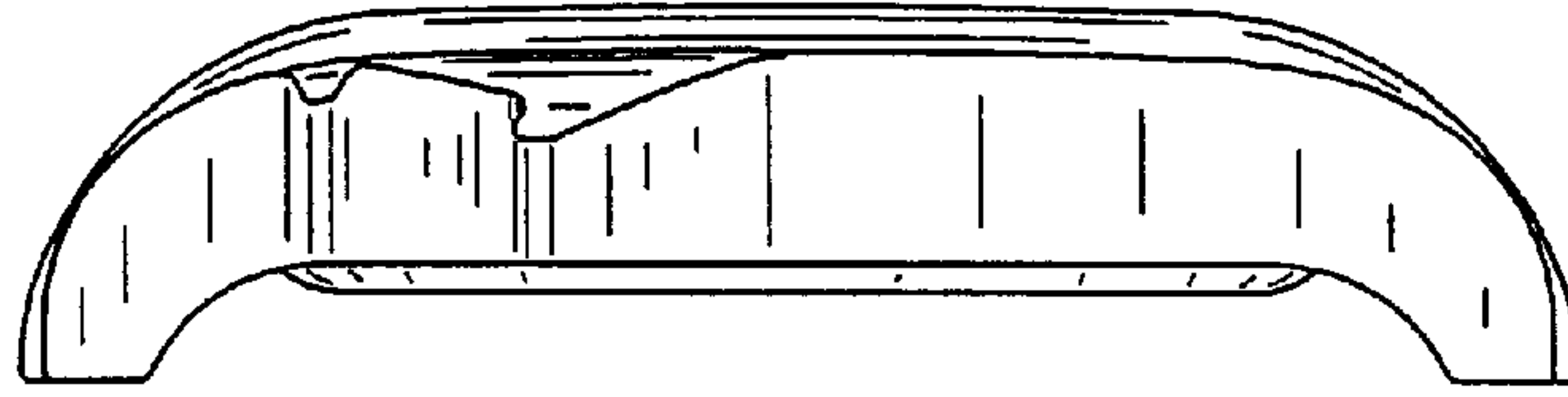


FIG. 5

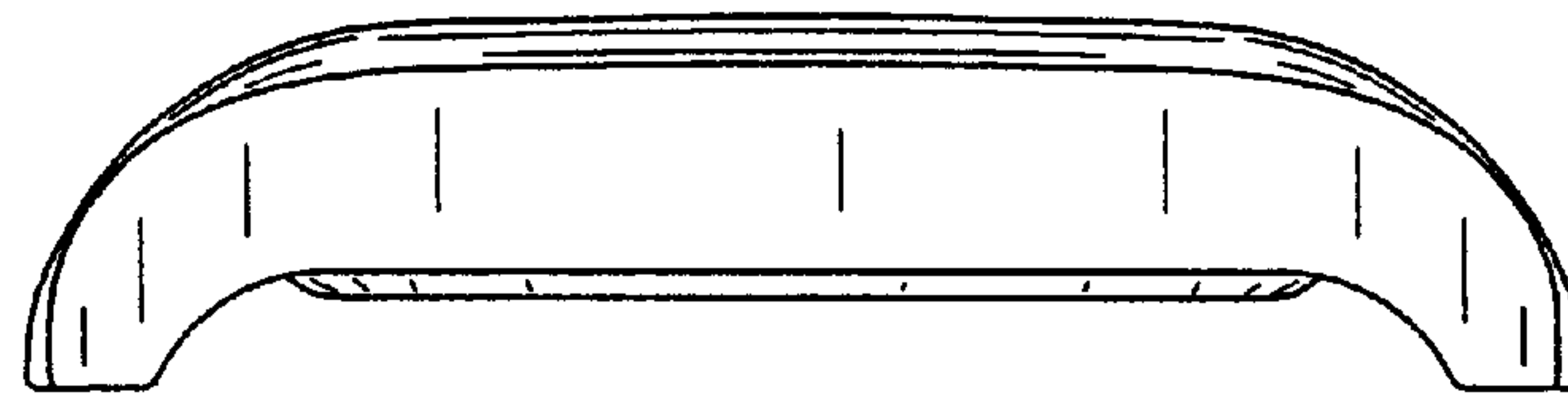


FIG. 6

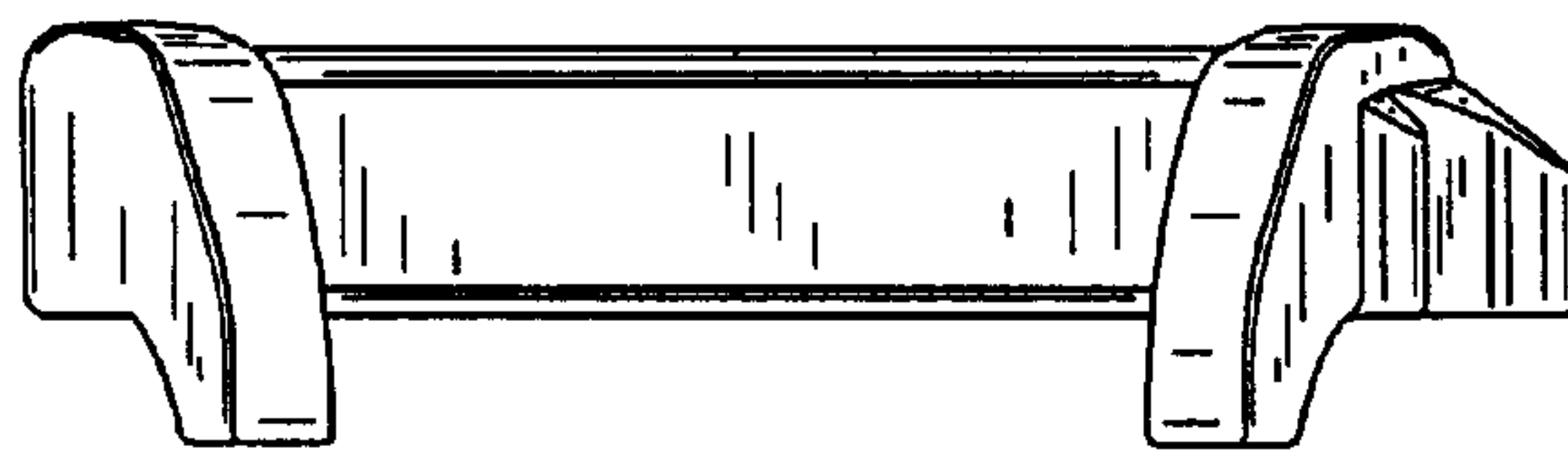


FIG. 7

