



US00D488379S

(12) **United States Design Patent**
Healy et al.

(10) **Patent No.:** **US D488,379 S**

(45) **Date of Patent:** **** Apr. 13, 2004**

(54) **ACTUATOR CAP**

(75) Inventors: **Brian E. Healy**, Hartland, WI (US);
Allen D. Miller, Racine, WI (US);
Nathan R. Westphal, Racine, WI (US)

(73) Assignee: **S. C. Johnson & Son, Inc.**, Racine, WI (US)

(**) Term: **14 Years**

(21) Appl. No.: **29/185,554**

(22) Filed: **Jun. 30, 2003**

(51) **LOC (7) Cl.** **09-07**

(52) **U.S. Cl.** **D9/448**

(58) **Field of Search** D9/300, 435, 447,
D9/448, 449; 222/153.1, 153.11-153.14,
402.1, 402.11-402.14; 239/333, 337

(56) **References Cited**

U.S. PATENT DOCUMENTS

- D209,427 S * 11/1967 Charles D9/448
- 4,381,065 A * 4/1983 Hayes 222/153.02
- 5,158,206 A * 10/1992 Kobayashi et al. 222/39

- D335,817 S * 5/1993 Greubel D9/300
- D392,186 S * 3/1998 Smith D9/448
- D474,403 S * 5/2003 Fahy et al. D9/448

* cited by examiner

Primary Examiner—Louis S. Zarfes

Assistant Examiner—Gregory Andoll

(57) **CLAIM**

The ornamental design for an actuator cap, as shown and described.

DESCRIPTION

In a preferred embodiment, the nature of this product is as an overcap for an aerosol container useful in connection with actuating such a container.

FIG. 1 is a top, right, front perspective view of an actuator cap embodying our new design;

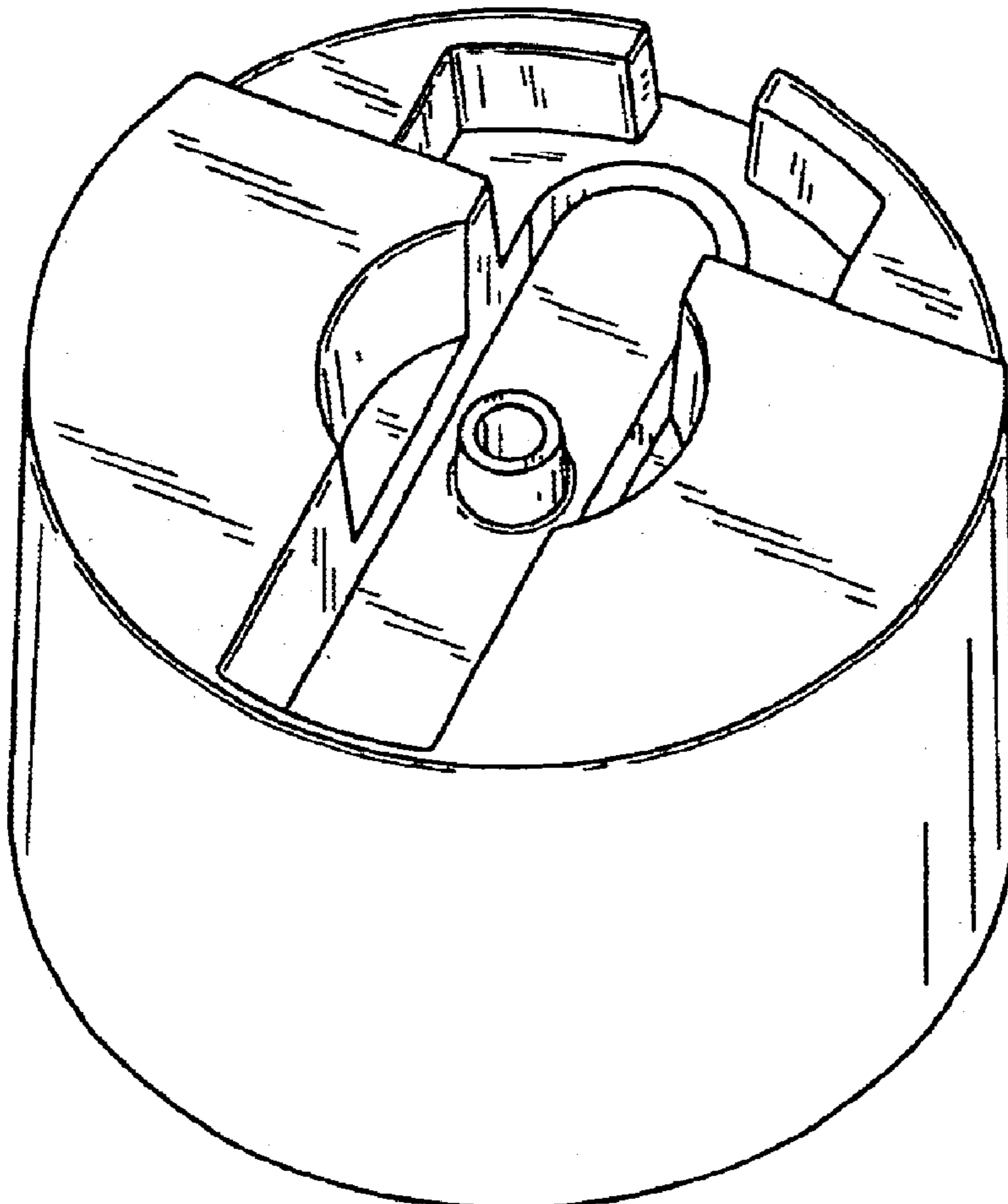
FIG. 2 is a top plan view thereof;

FIG. 3 is a right side elevational view thereof, the left side elevational view being a mirror image of the right side shown;

FIG. 4 is a rear elevational view thereof; and,

FIG. 5 is a front elevational view thereof.

1 Claim, 3 Drawing Sheets



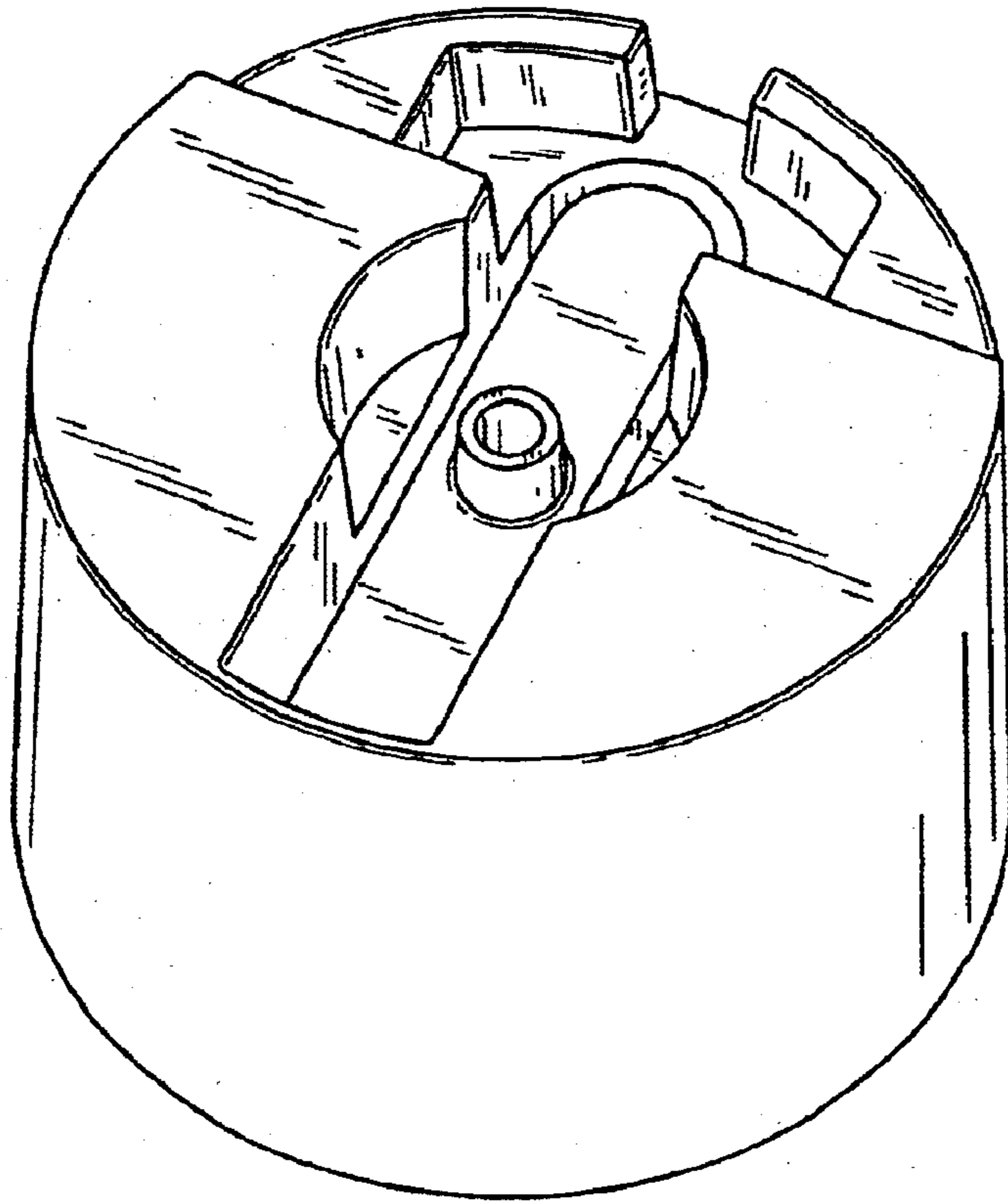


FIG. 1

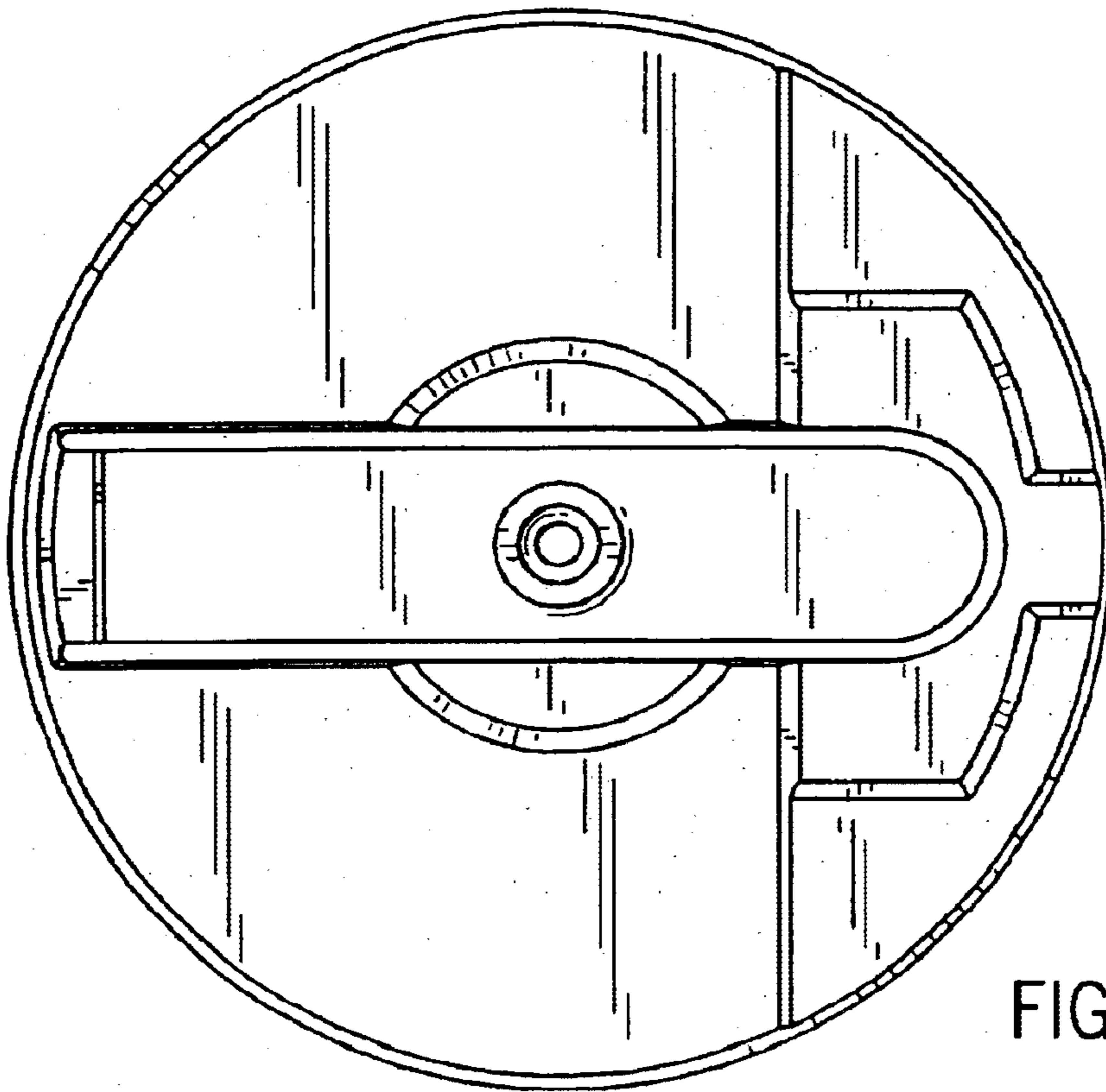


FIG. 2

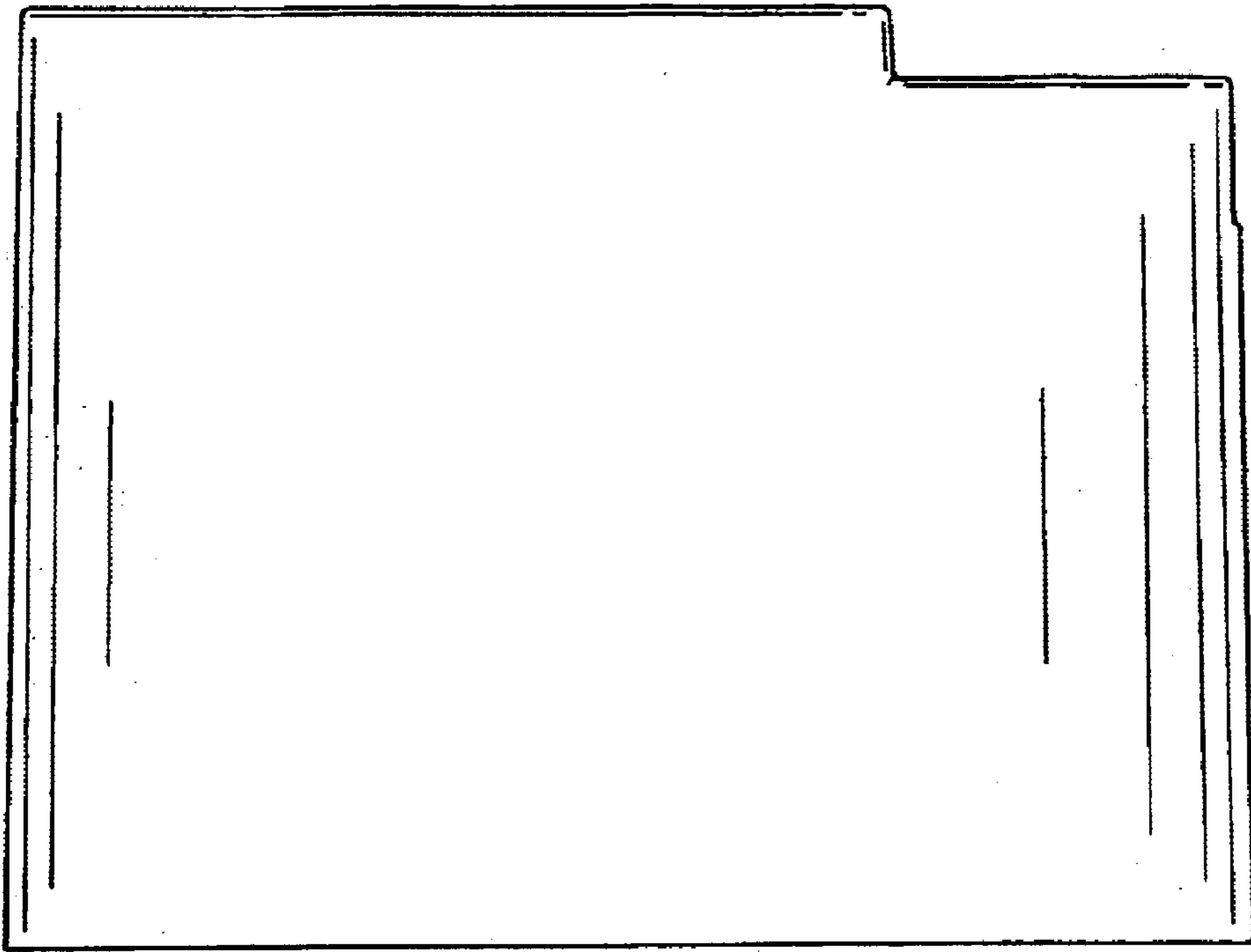


FIG. 3

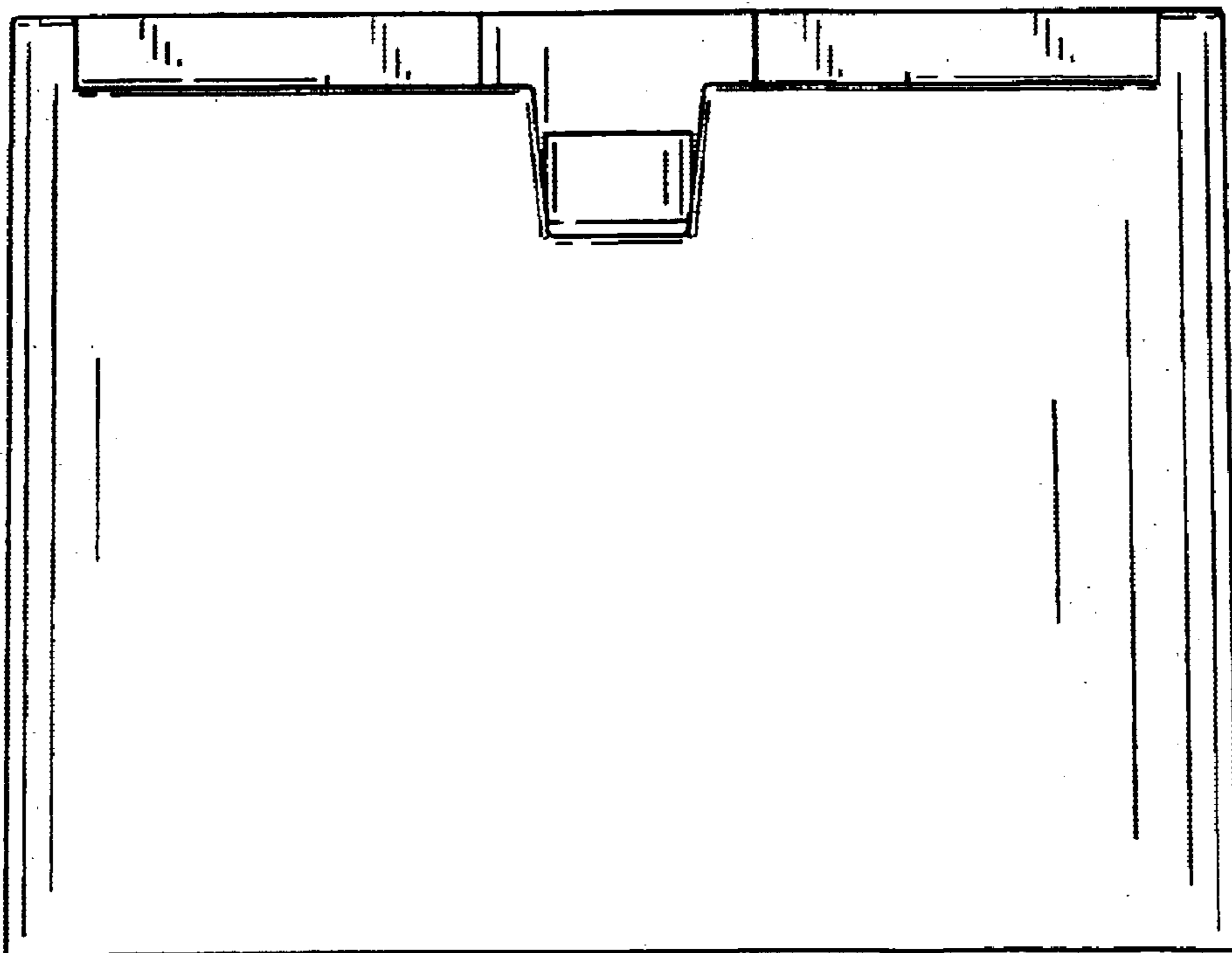


FIG. 4

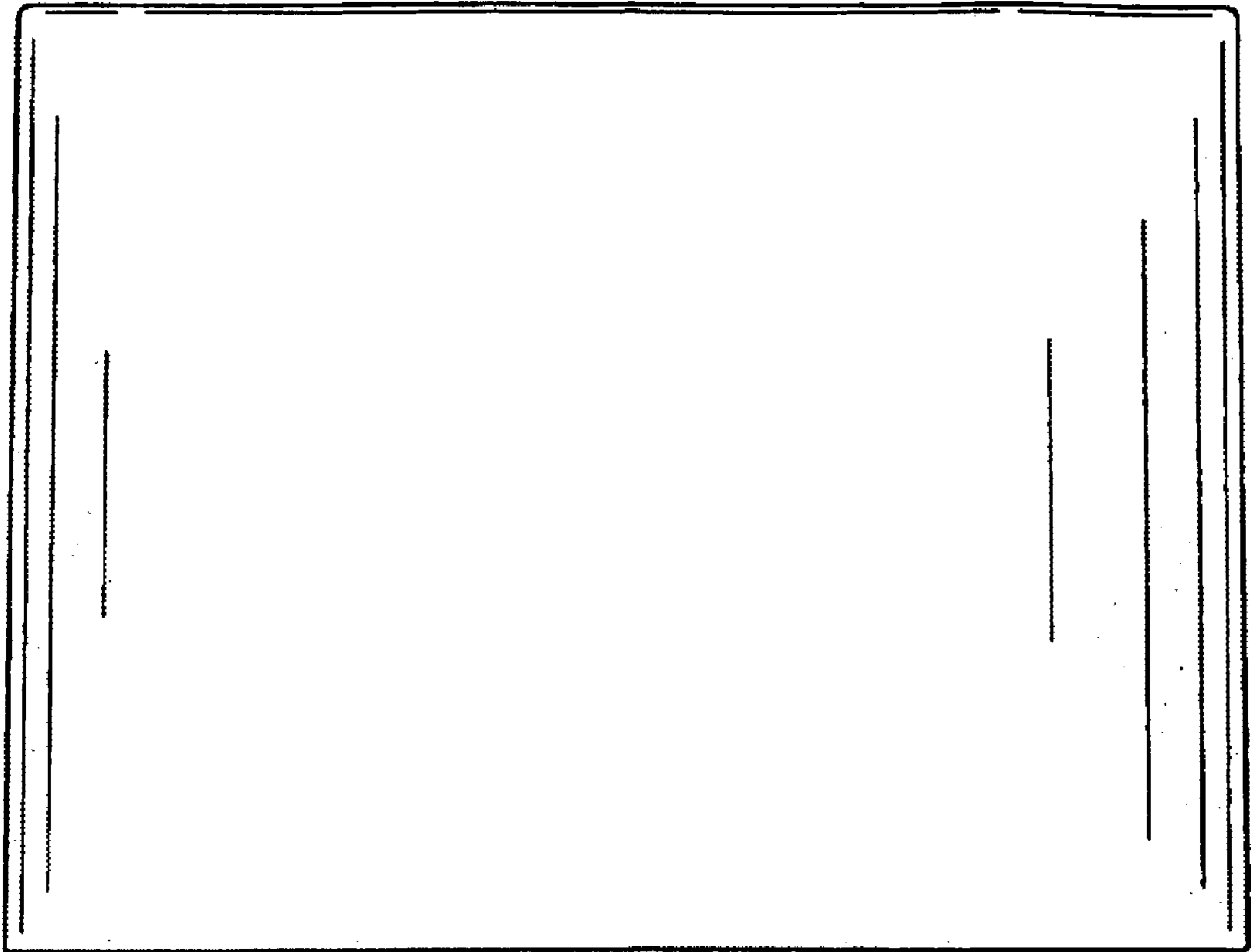


FIG. 5