



US00D488373S

(12) **United States Design Patent**
Eberle

(10) **Patent No.:** **US D488,373 S**

(45) **Date of Patent:** **** Apr. 13, 2004**

(54) **HIDDEN FASTENER DEVICE FOR JOINING DECK BOARDS**

D471,794 S * 3/2003 Wall D8/382
D479,797 S * 9/2003 Wall D8/382

(75) **Inventor:** **Harry W Eberle**, Lebanon Township, Hunterdon County, NJ (US)

* cited by examiner

Primary Examiner—Catherine R. Oliver
(74) *Attorney, Agent, or Firm*—Kenneth P. Glynn, Esq.

(73) **Assignee:** **Blue Heron Enterprises, LLC**, Califon, NJ (US)

(57) **CLAIM**

(**) **Term:** **14 Years**

The ornamental design for a hidden fastener device for joining deck boards, as shown and described.

(21) **Appl. No.:** **29/142,395**

DESCRIPTION

(22) **Filed:** **May 24, 2001**

(51) **LOC (7) Cl.** **08-08**

(52) **U.S. Cl.** **D8/382**

(58) **Field of Search** D8/349, 354, 382, D8/381, 396, 400; D25/114, 116, 117, 154, 155; 52/506.05, 582.1, 698, 588.1

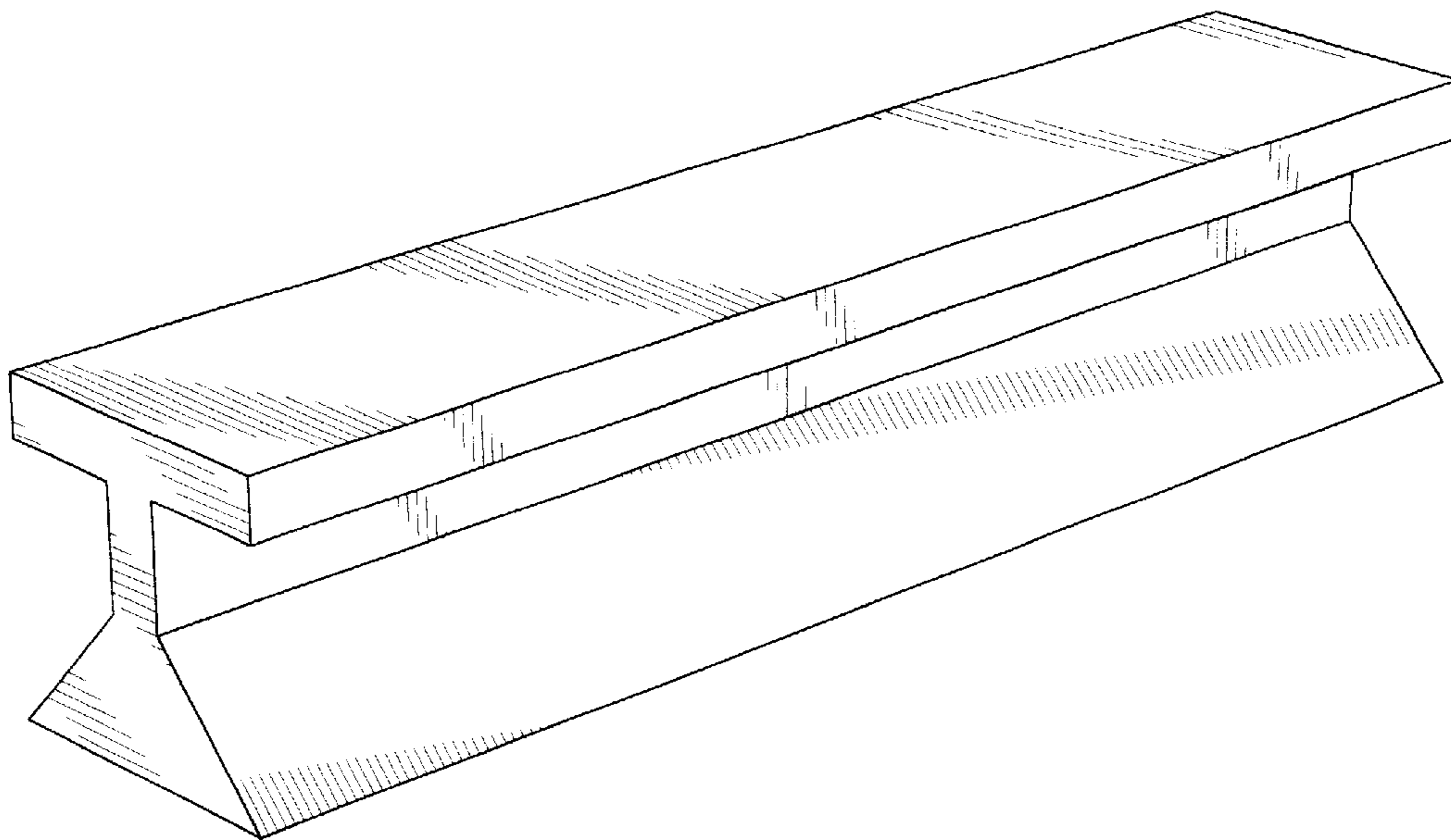
FIG. 1 is a front view of hidden fastener device for joining deck boards;
FIG. 2 is a rear view thereof;
FIG. 3 is a top view thereof;
FIG. 4 is a bottom view thereof;
FIG. 5 is a left side view thereof;
FIG. 6 is a right side view thereof; and,
FIG. 7 is a perspective view thereof.

(56) **References Cited**

U.S. PATENT DOCUMENTS

D427,050 S * 6/2000 Bryan D8/382

1 Claim, 2 Drawing Sheets



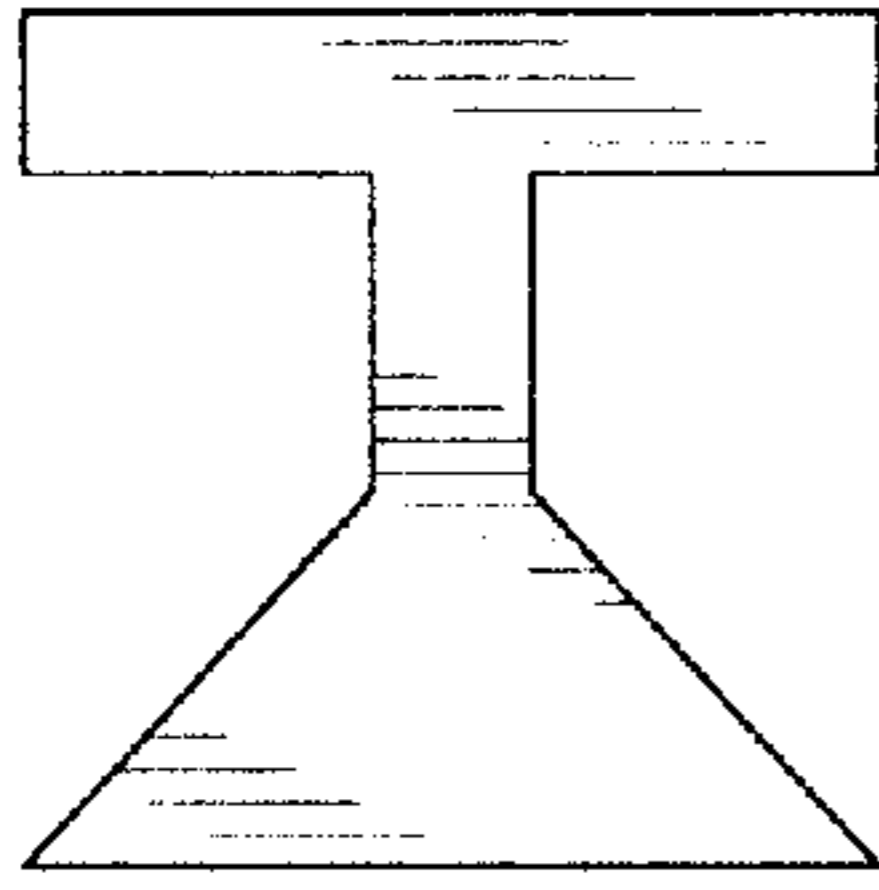


FIG. 1

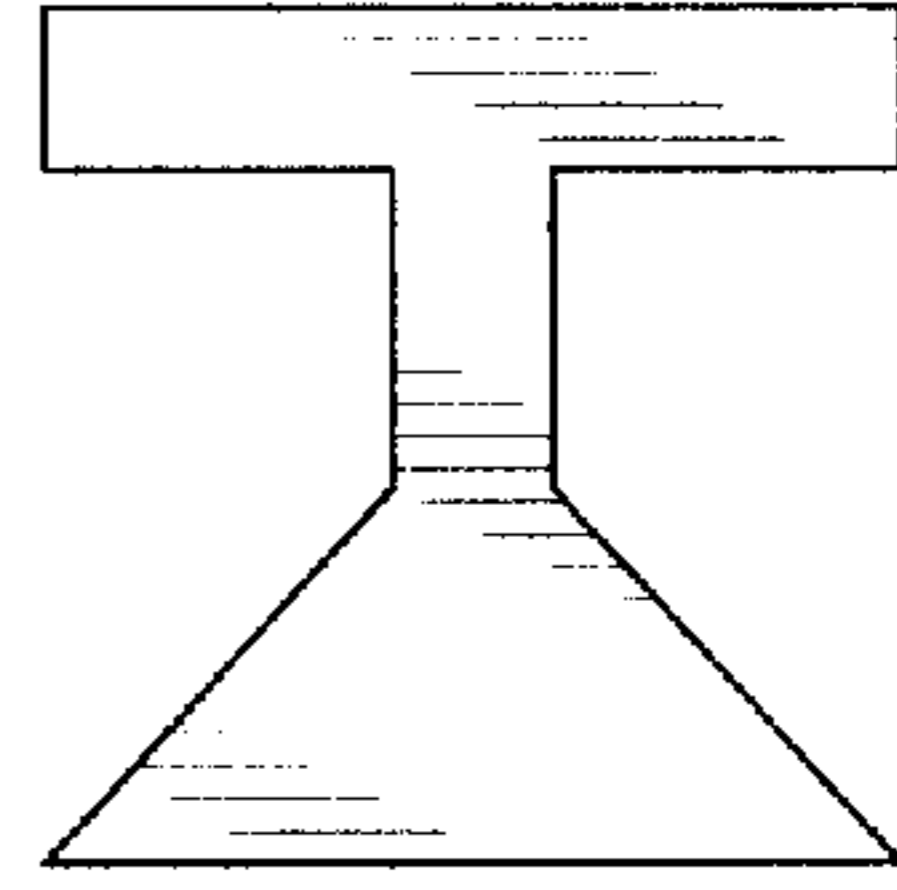


FIG. 2

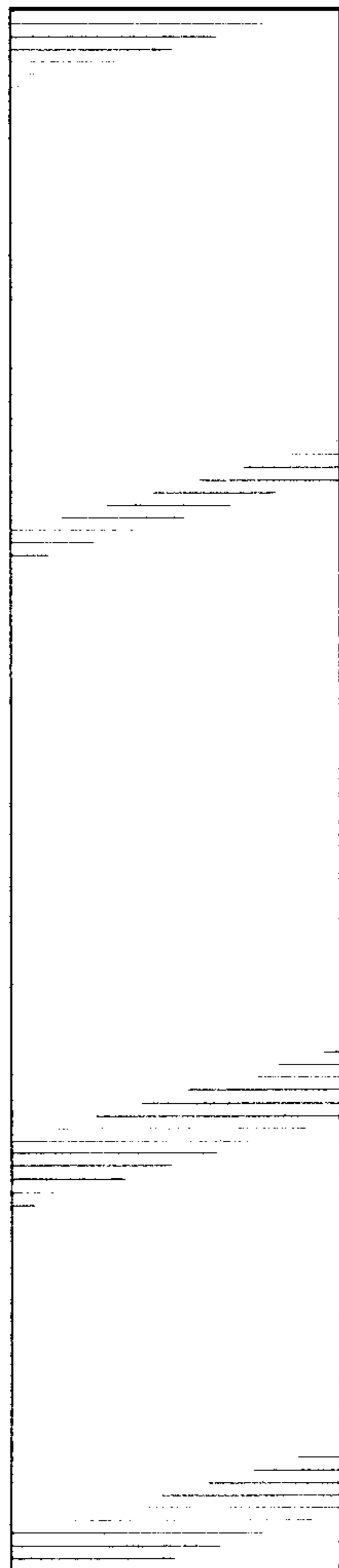


FIG. 3

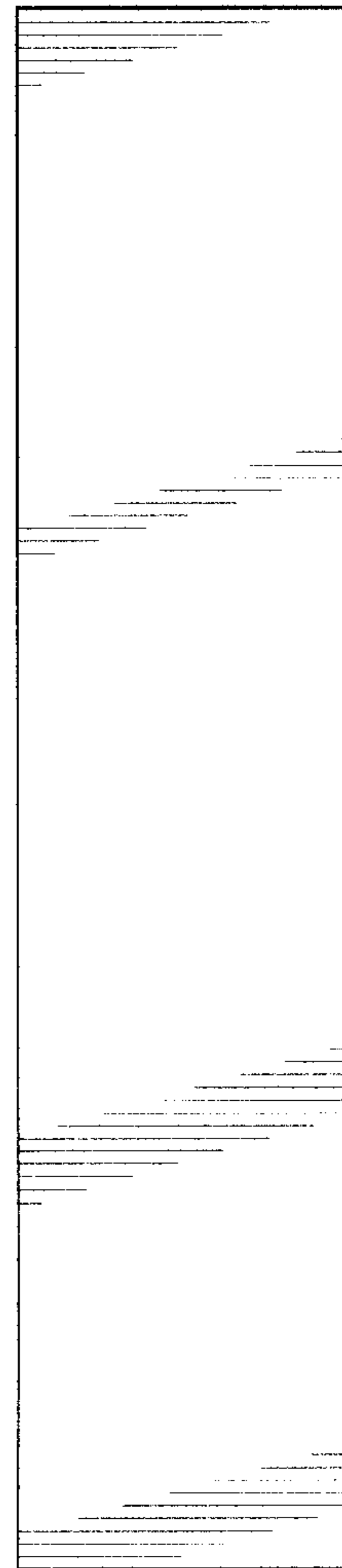


FIG. 4

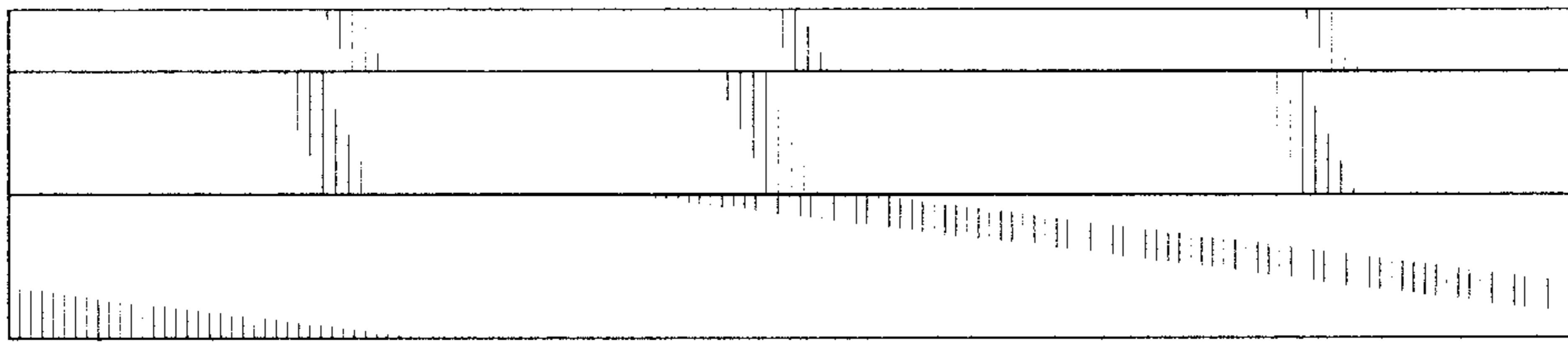


FIG. 5

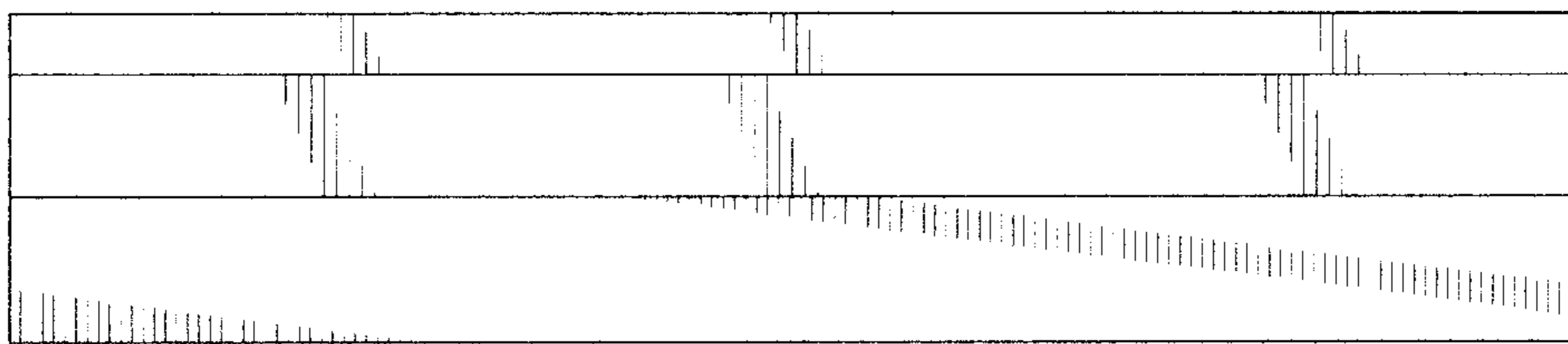


FIG. 6

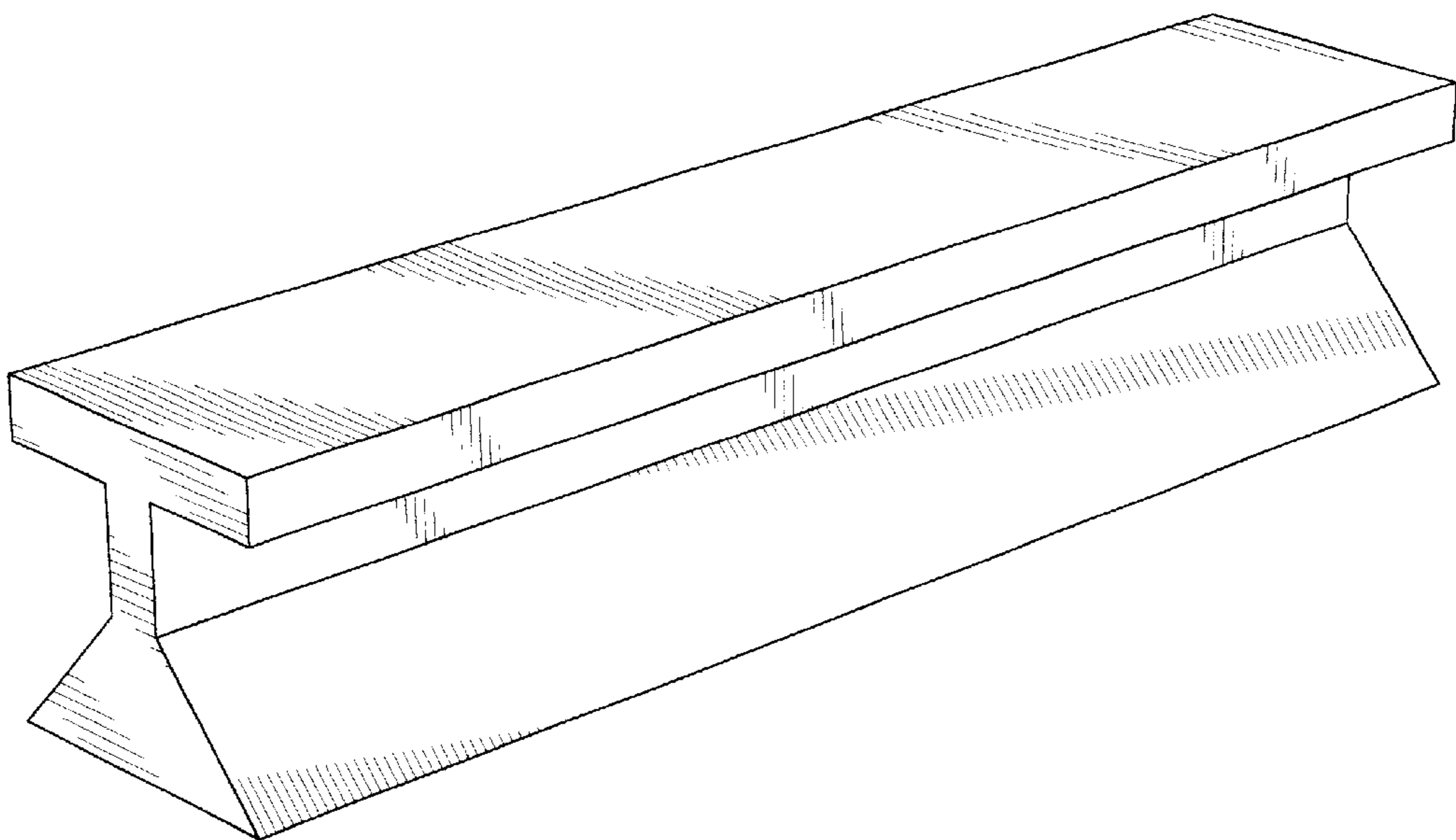


FIG. 7