



US00D488368S

(12) **United States Design Patent**  
**Vito**

(10) **Patent No.:** **US D488,368 S**

(45) **Date of Patent:** **\*\* Apr. 13, 2004**

(54) **CLOSURE RECEIVING LOCK ELEMENT**

5,823,021 A \* 10/1998 Chang ..... 70/333

D472,450 S \* 4/2003 Vito ..... D8/331

6,619,084 B2 \* 9/2003 Kuo ..... 70/233

(76) Inventor: **Robert A. Vito**, 1434 Sugartown Rd.,  
Berwyn, PA (US) 19312

\* cited by examiner

(\*\*) Term: **14 Years**

*Primary Examiner*—Prabhakar Deshmukh

(74) *Attorney, Agent, or Firm*—Volpe and Koenig, PC

(21) Appl. No.: **29/166,823**

(22) Filed: **Sep. 4, 2002**

(57) **CLAIM**

(51) **LOC (7) Cl.** ..... **08-07**

I claim the ornamental design for a closure receiving lock element, as shown and described.

(52) **U.S. Cl.** ..... **D8/343; D8/331**

**DESCRIPTION**

(58) **Field of Search** ..... D8/330, 331, 334,  
D8/343, 349, 352; 70/51–56, 233, 234,  
235, 14, 20, 21, 49, 30, 211, 212, 226

FIG. 1 is a perspective view of a closure receiving lock element according to a preferred embodiment of my new design;

(56) **References Cited**

**U.S. PATENT DOCUMENTS**

153,312 A	7/1874	Broome et al.	
596,237 A	* 12/1897	Damon	70/233
1,337,568 A	4/1920	Shannon	
1,477,777 A	* 12/1923	Shek	70/53
1,503,210 A	7/1924	Shannon	
3,754,418 A	8/1973	Miller	
3,754,420 A	8/1973	Ollerich	
3,800,570 A	4/1974	Kaplan	
3,924,426 A	12/1975	Zane et al.	
4,155,231 A	5/1979	Zane et al.	
5,194,845 A	* 3/1993	Sirmon et al.	70/233
D335,814 S	* 5/1993	Dabandjian	D8/343
5,406,812 A	* 4/1995	Jaw	70/233
D358,542 S	* 5/1995	Byrd, Jr.	D8/343
5,505,064 A	* 4/1996	Wang	70/53
5,642,635 A	* 7/1997	Wen-Chyun	70/233
5,706,679 A	1/1998	Zane et al.	
5,794,462 A	8/1998	Steele et al.	

FIG. 2 is a second perspective view of the closure receiving lock element of FIG. 1;

FIG. 3 is a top plan view of the closure receiving lock element of FIG. 1;

FIG. 4 is a front elevational view of the closure receiving lock element of FIG. 1;

FIG. 5 is a rear elevational view of the closure receiving lock element of FIG. 1;

FIG. 6 is a bottom plan view of the closure receiving lock element of FIG. 1;

FIG. 7 is a left side elevational view of the closure receiving lock element of FIG. 1; and,

FIG. 8 is a right side elevational view of the closure receiving lock element of FIG. 1.

The dashed lines in FIGS. 1–8 represent environment and are for illustrative purposes only and do not constitute part of the claimed design.

**1 Claim, 3 Drawing Sheets**

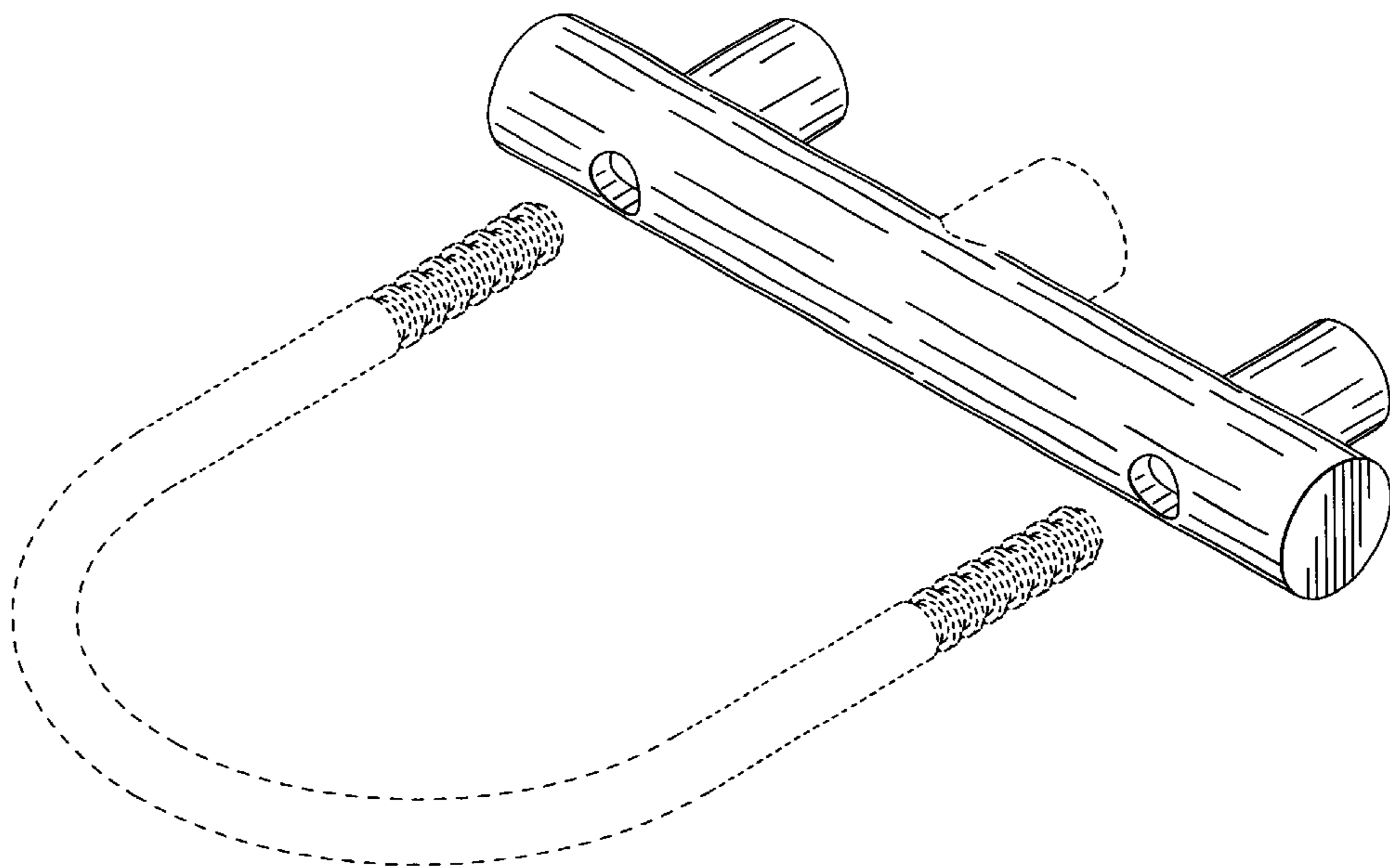


FIG. 1

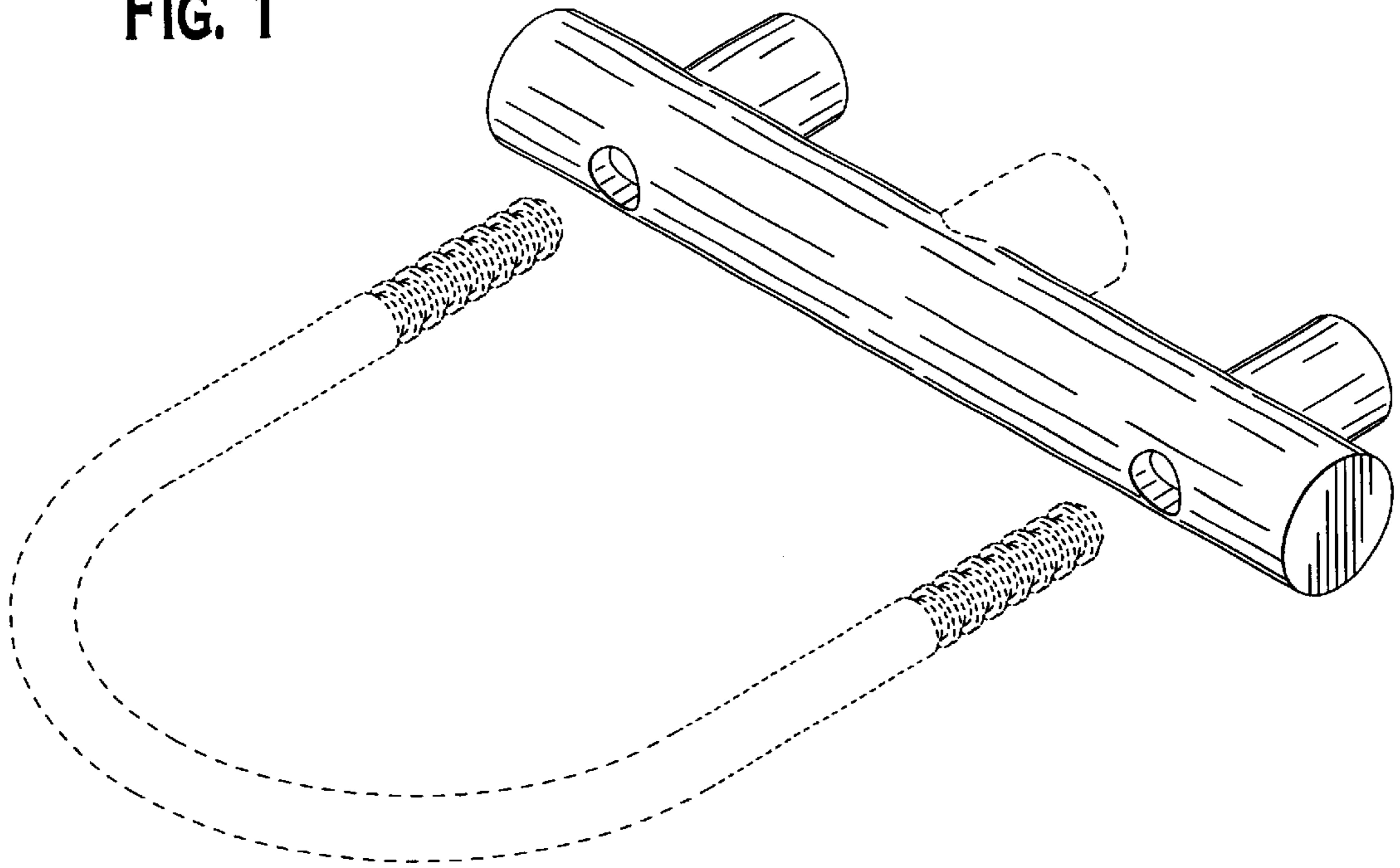
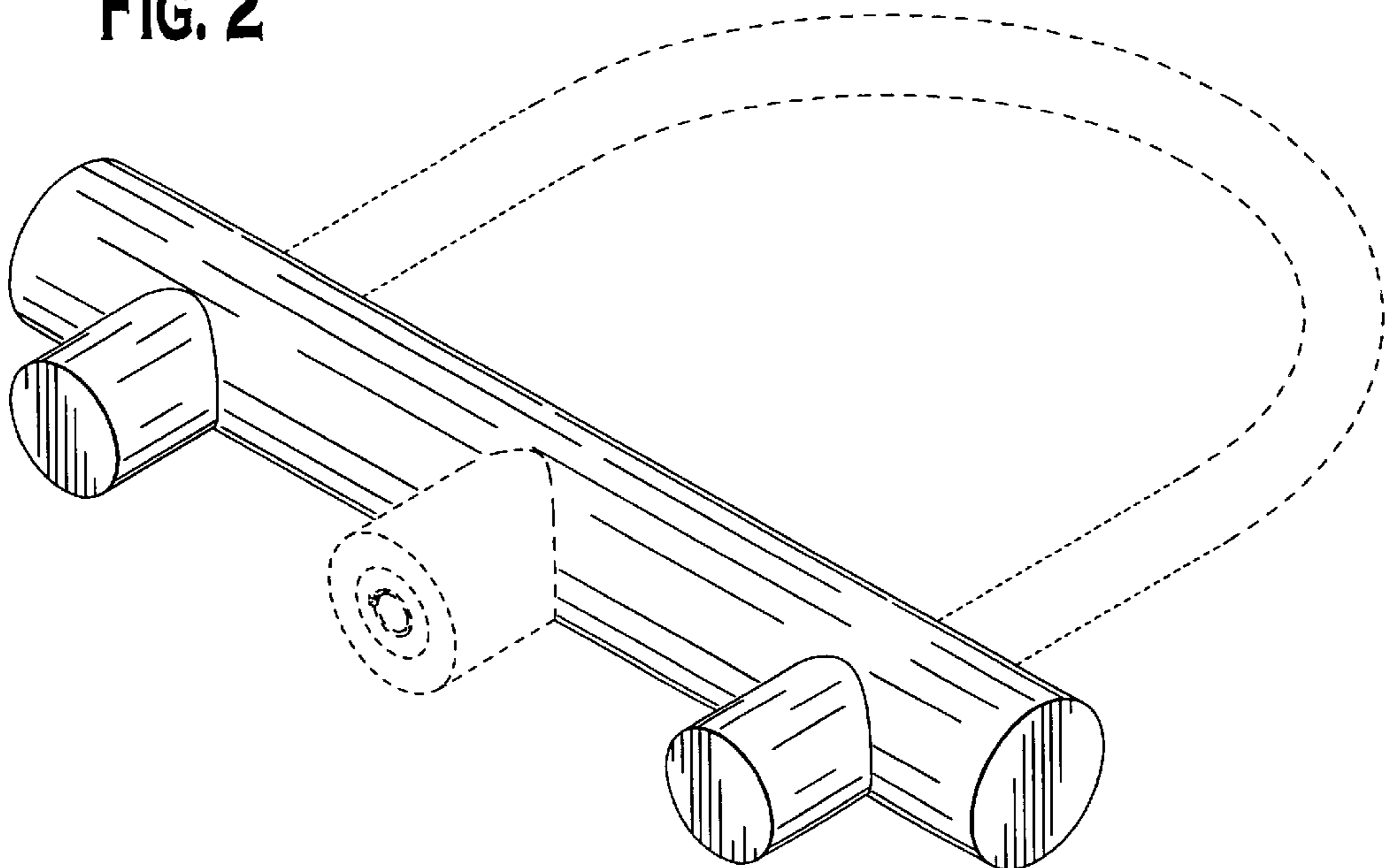
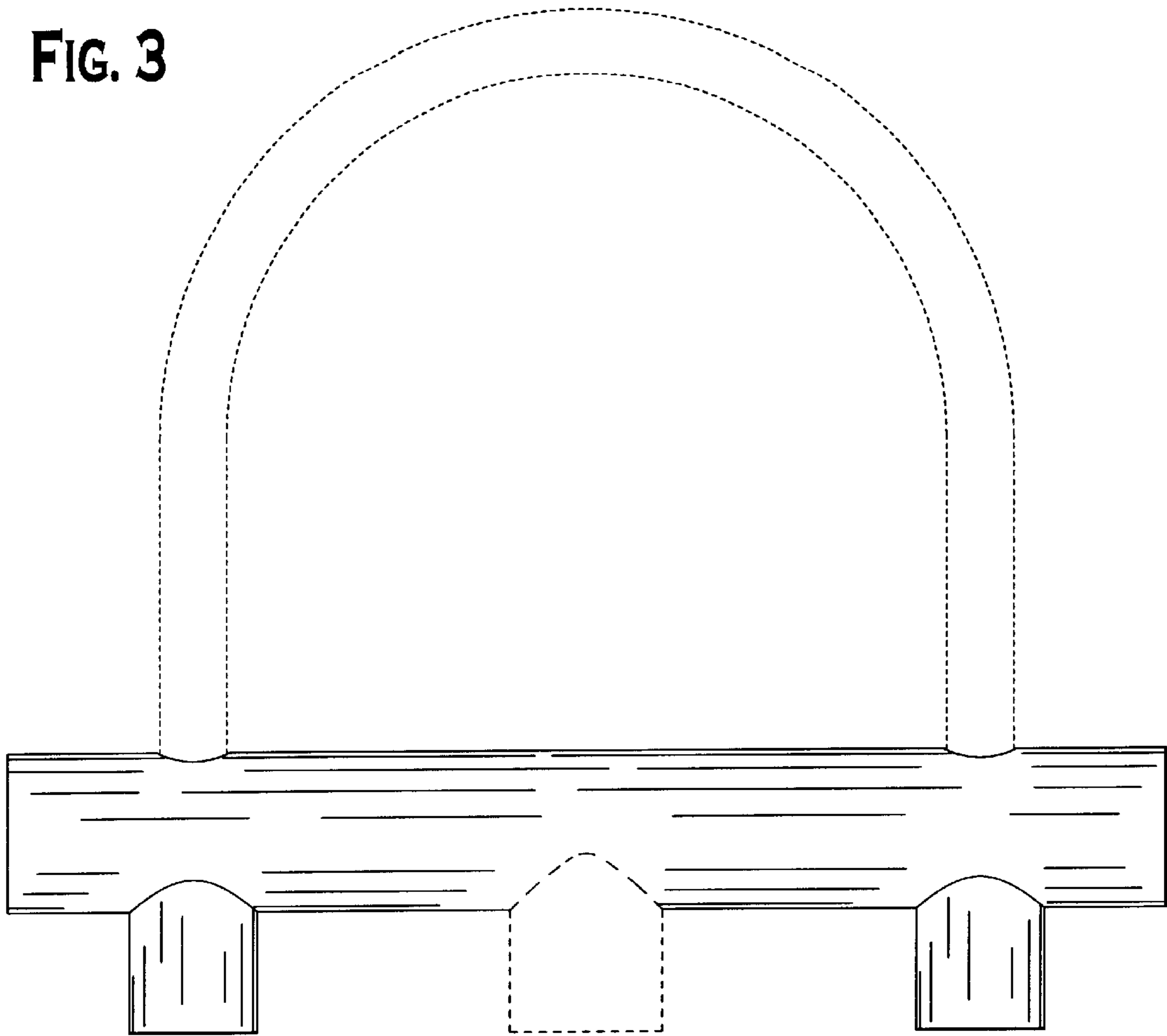


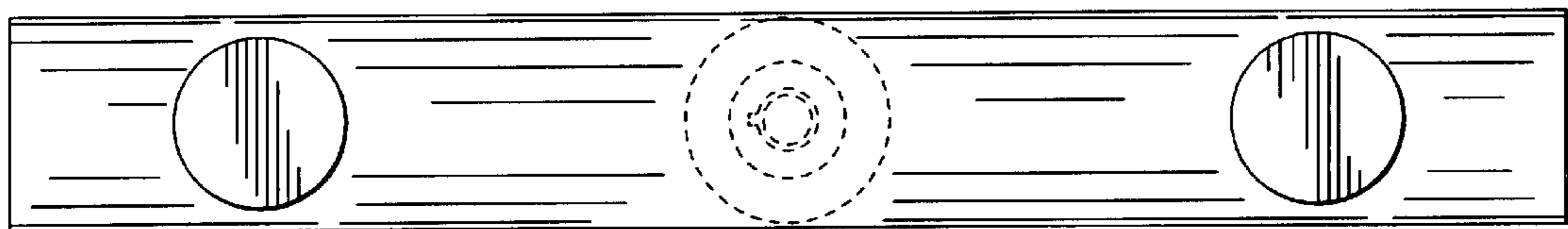
FIG. 2



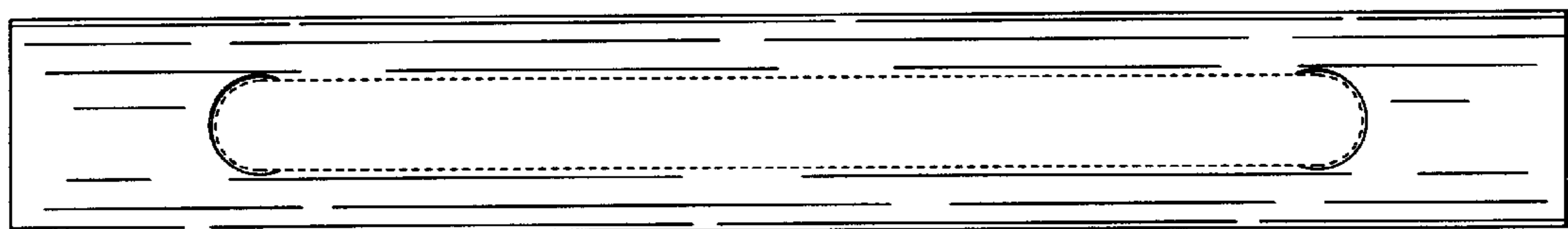
**FIG. 3**



**FIG. 4**



**FIG. 5**



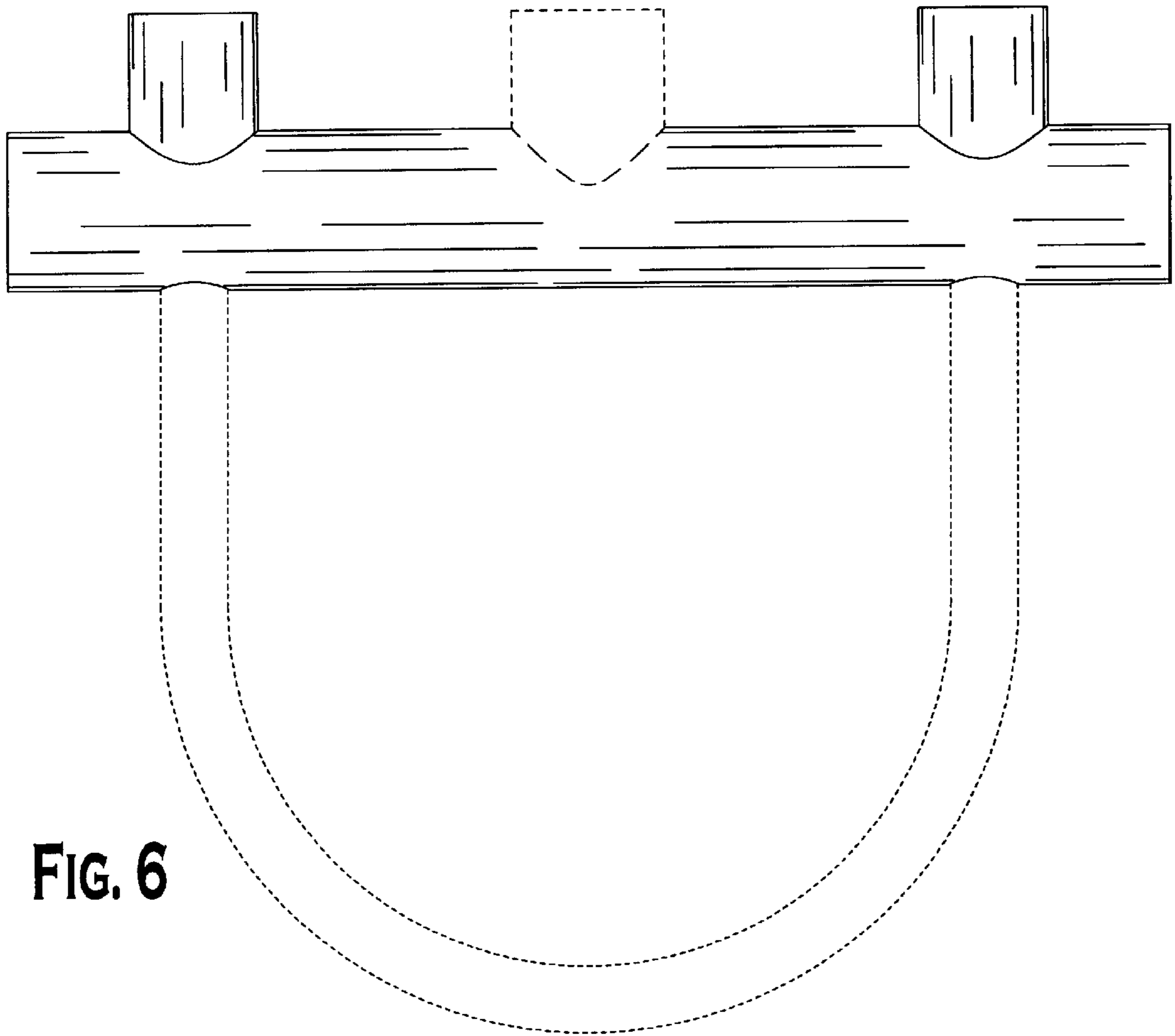


FIG. 7

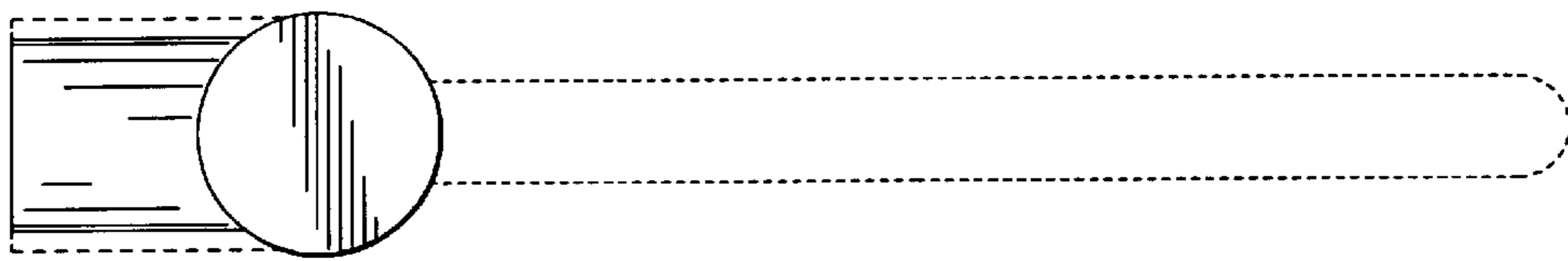


FIG. 8

