



US00D488365S

(12) **United States Design Patent**
Liu

(10) **Patent No.:**

US D488,365 S

(45) **Date of Patent:**

**** Apr. 13, 2004**

(54) **RANDOM SANDER**

(75) Inventor: **Yufei Liu**, Suzhou (CN)

(73) Assignee: **Positec Power Tools (Suzhou) Co., Ltd.**, Suzhou (CN)

(**) Term: **14 Years**

(21) Appl. No.: **29/181,675**

(22) Filed: **May 14, 2003**

(30) **Foreign Application Priority Data**

Nov. 28, 2002 (CN) 02371383

(51) **LOC (7) Cl.** **08-05**

(52) **U.S. Cl.** **D8/62**

(58) **Field of Search** D8/61, 62, 67,
D8/69; 173/168, 169, 170, 171; 310/50;
451/294, 344, 351, 353, 354, 355, 356,
357, 358, 359

(56) **References Cited**

U.S. PATENT DOCUMENTS

D351,976 S * 11/1994 Morey et al. D8/62
D376,304 S * 12/1996 Clowers et al. D8/62

D392,861 S * 3/1998 Gildersleeve et al. D8/62
D408,245 S * 4/1999 Evans et al. D8/62
D442,839 S * 5/2001 Cieri et al. D8/62
D448,262 S * 9/2001 Heun D8/62
D476,543 S * 7/2003 Wu D8/62

* cited by examiner

Primary Examiner—Doris V. Coles

Assistant Examiner—Elizabeth Albert

(74) *Attorney, Agent, or Firm*—Hedman & Costigan, P.C.

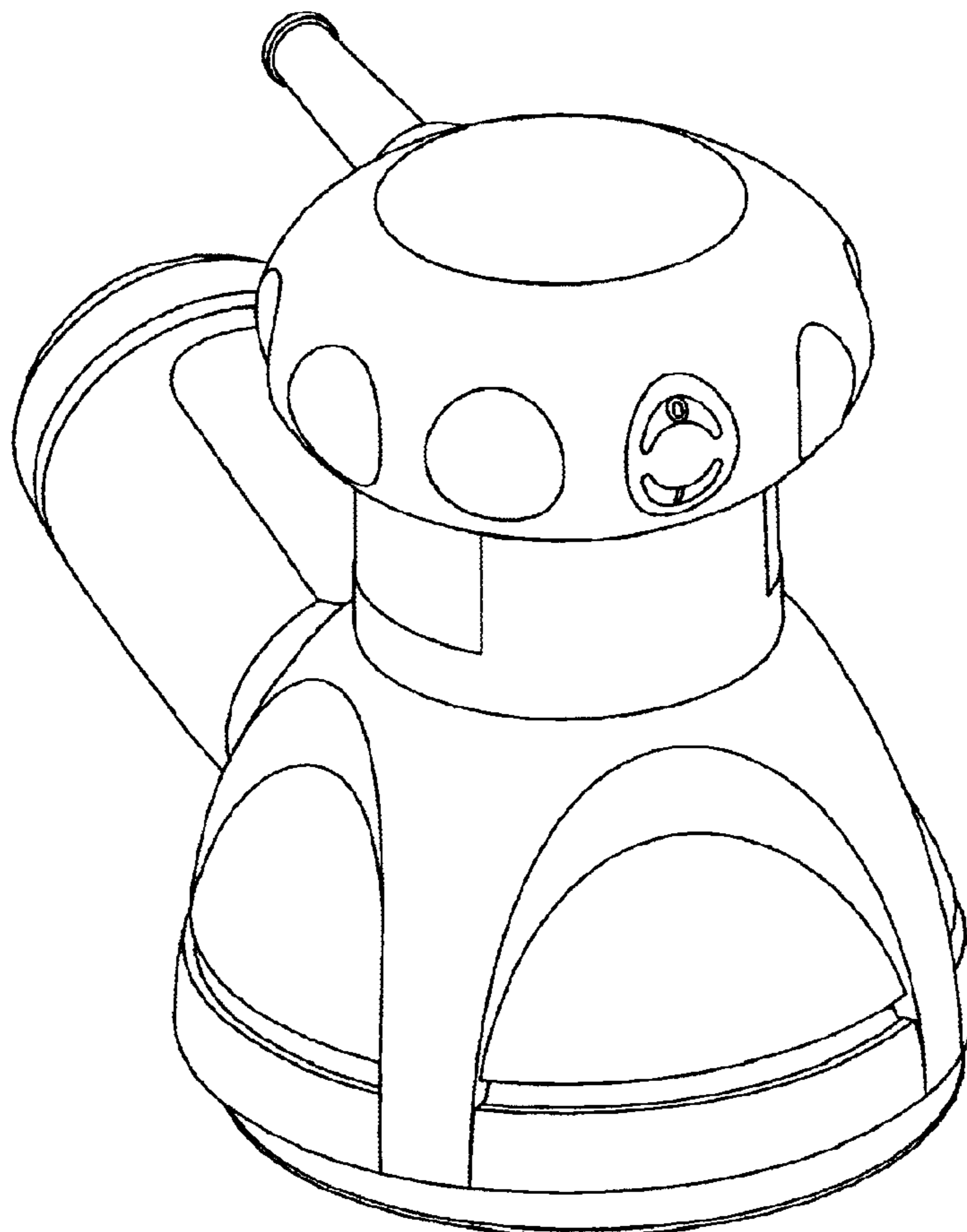
(57) **CLAIM**

The ornamental design for a random sander, as shown and described.

DESCRIPTION

FIG. 1 is a front view of the random sander, which is the object of the present design;
FIG. 2 is a rear view thereof;
FIG. 3 is a left side view thereof;
FIG. 4 is a right side view thereof;
FIG. 5 is a top view thereof;
FIG. 6 is a bottom view thereof; and,
FIG. 7 is a perspective view thereof.

1 Claim, 7 Drawing Sheets



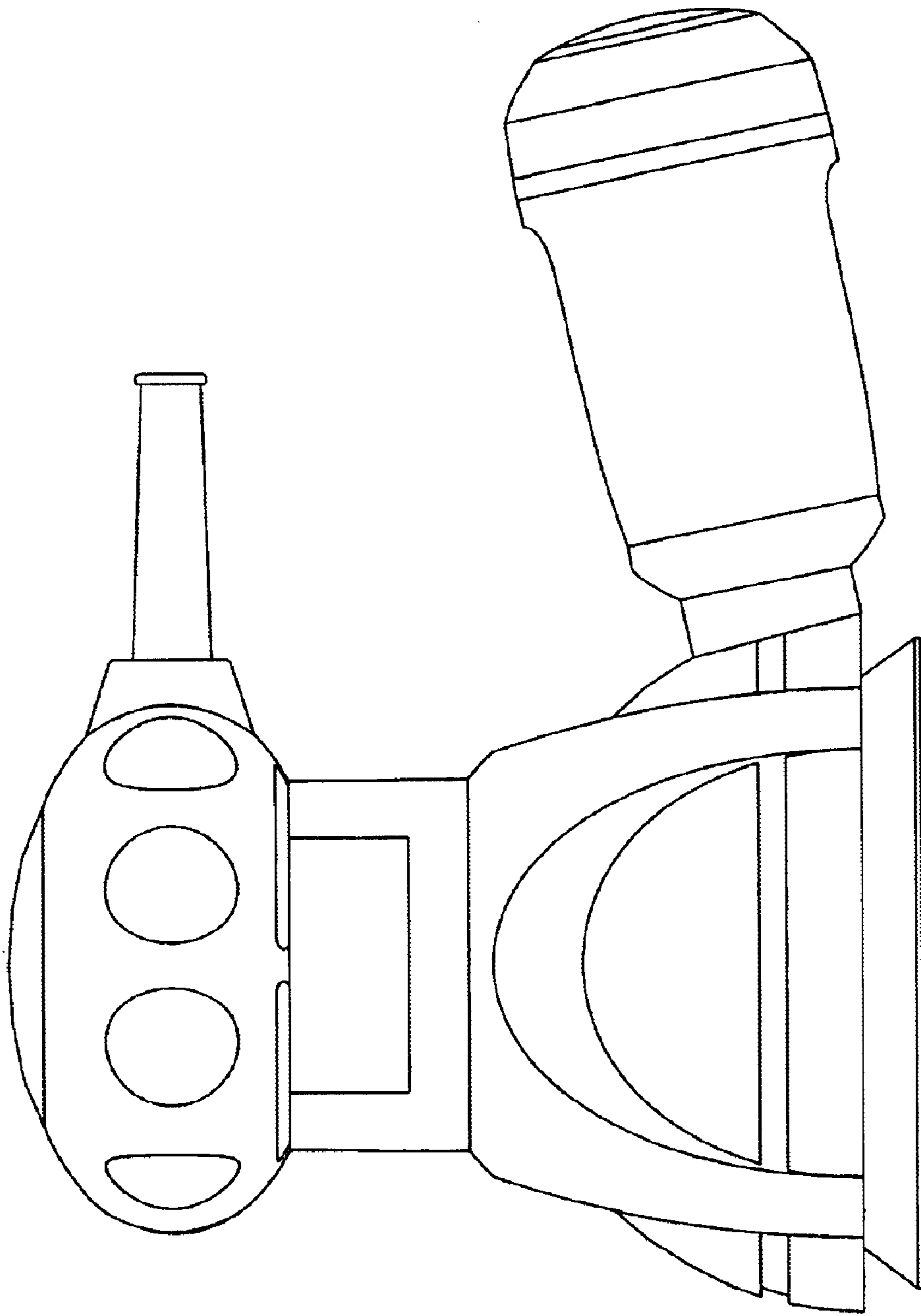


Fig. 1

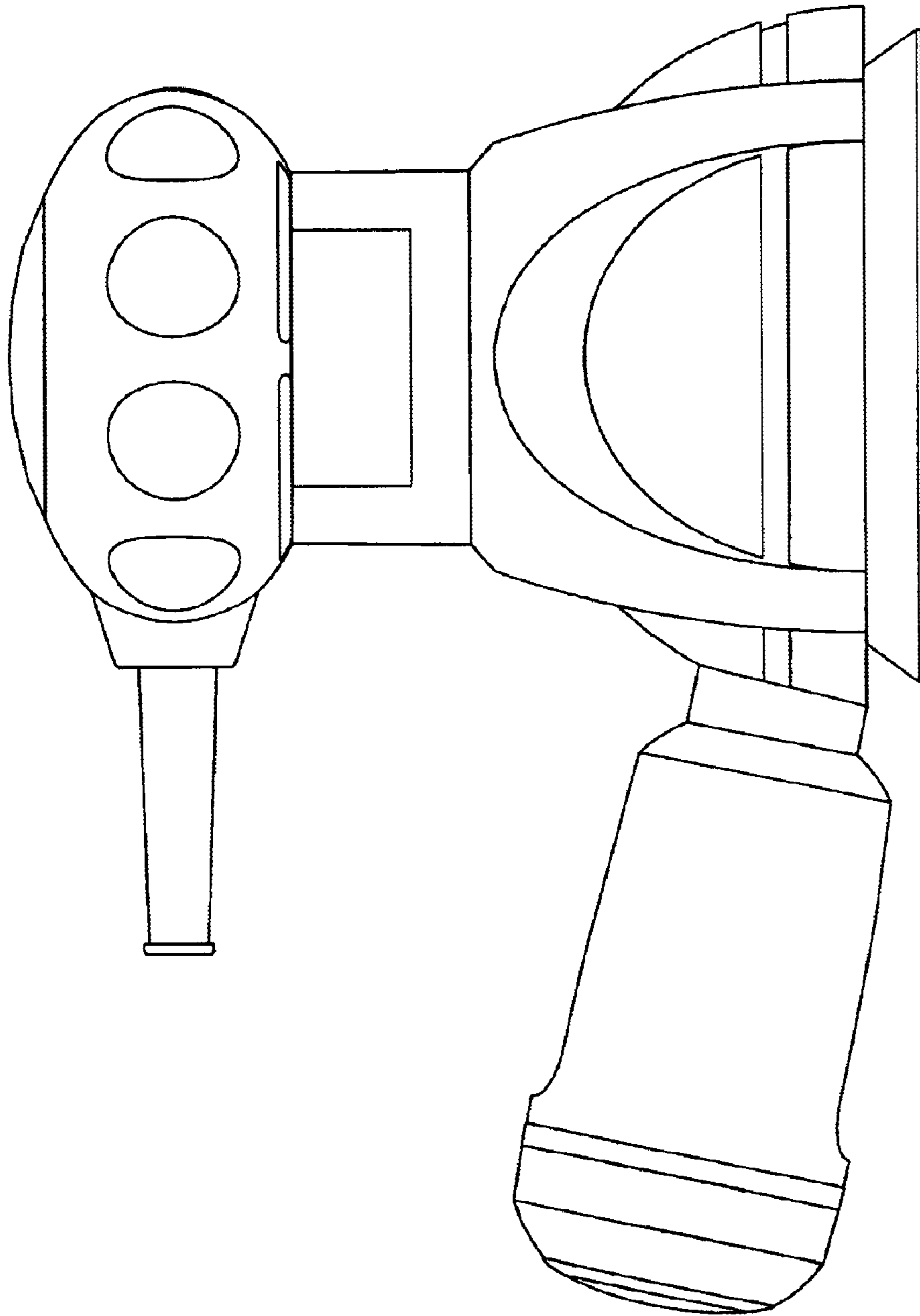


Fig. 2

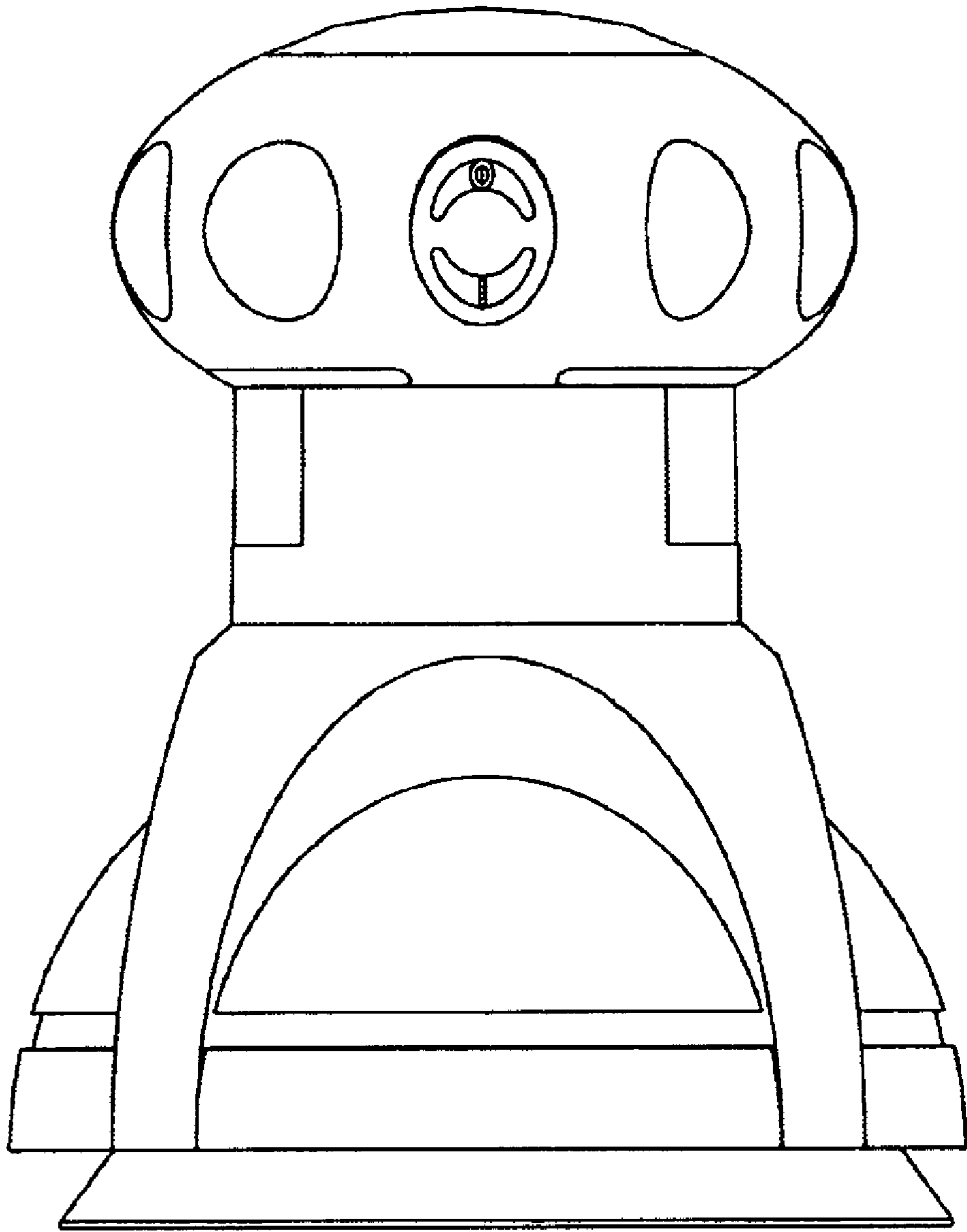


Fig. 3

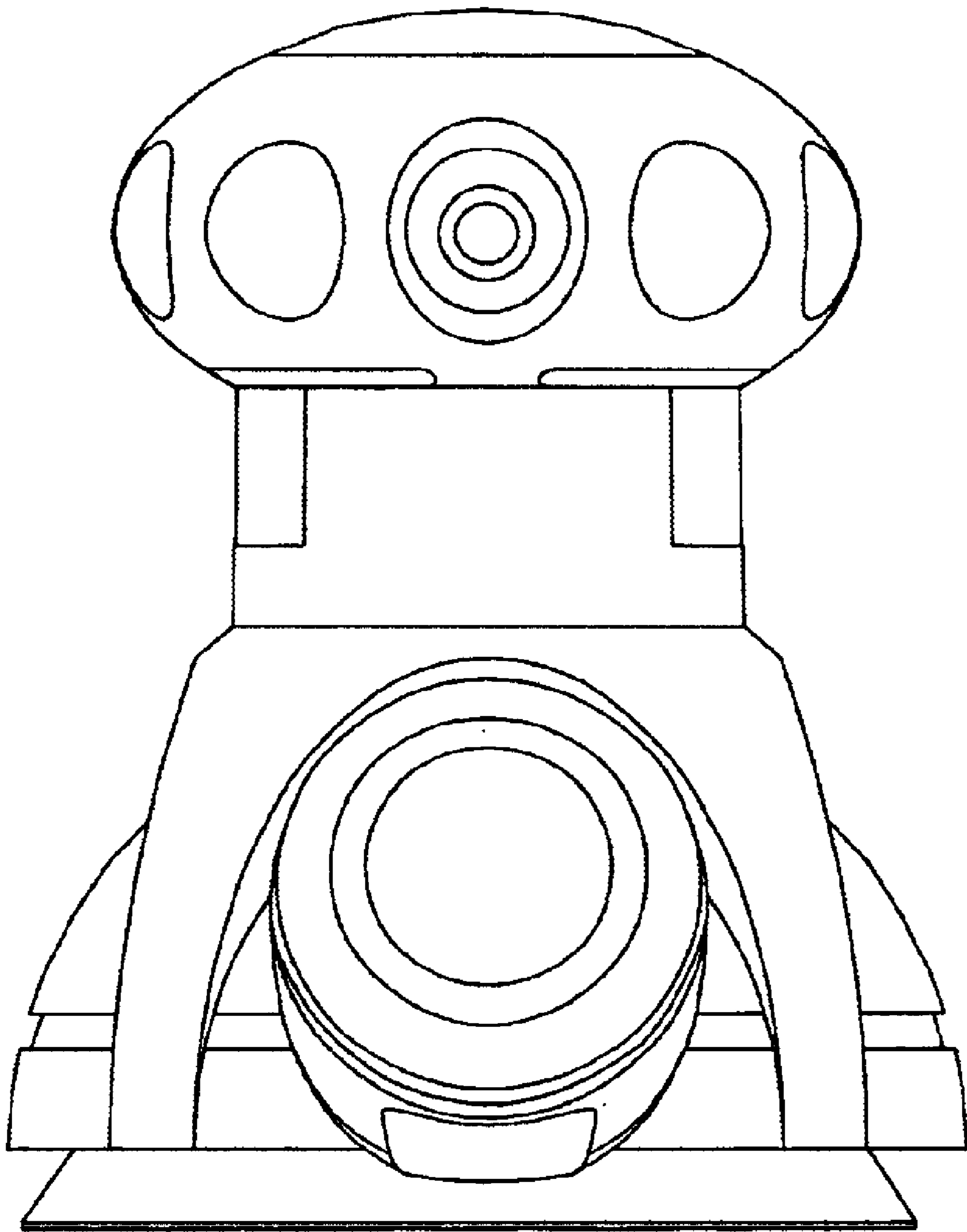


Fig. 4

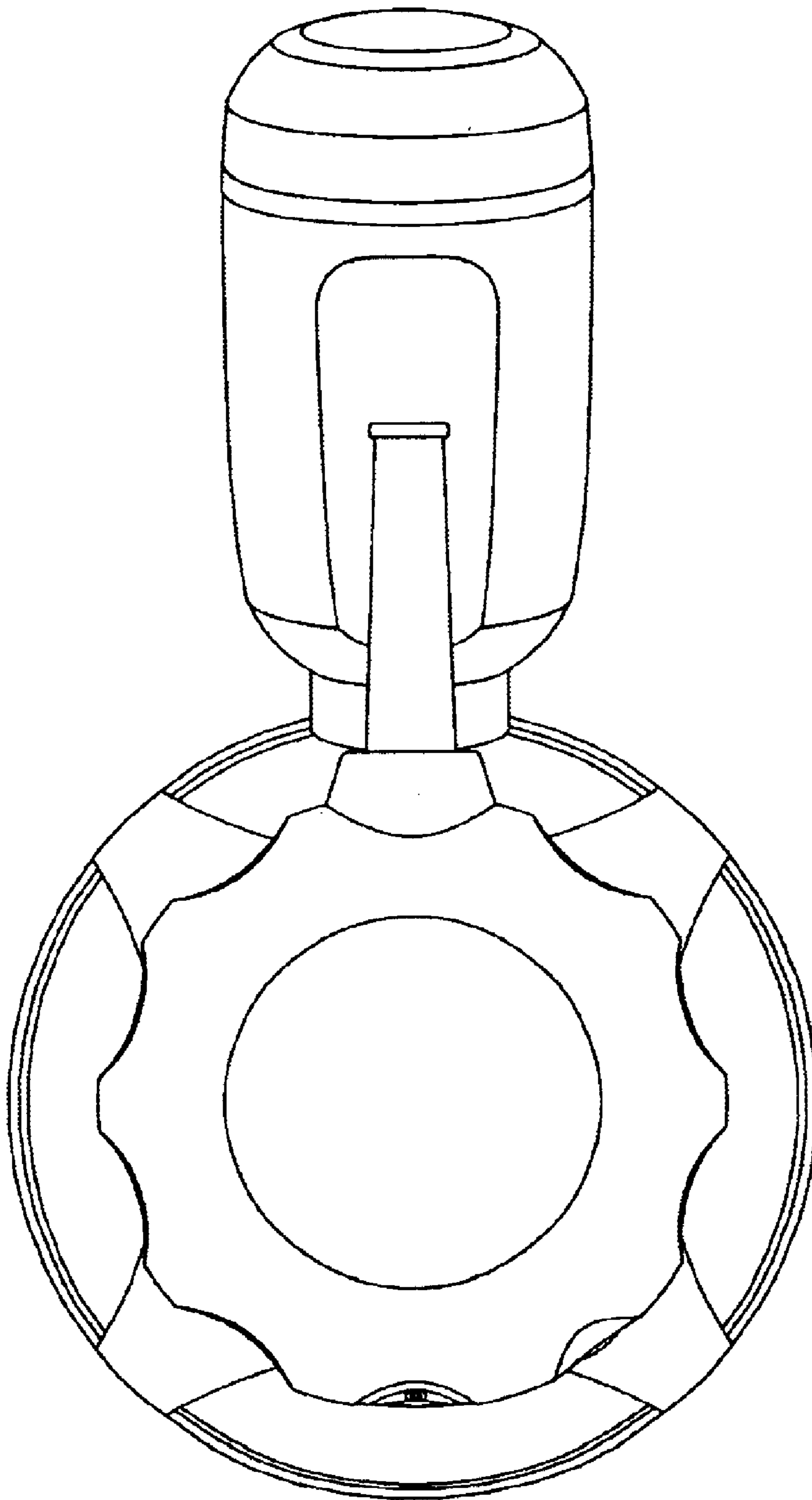


Fig. 5

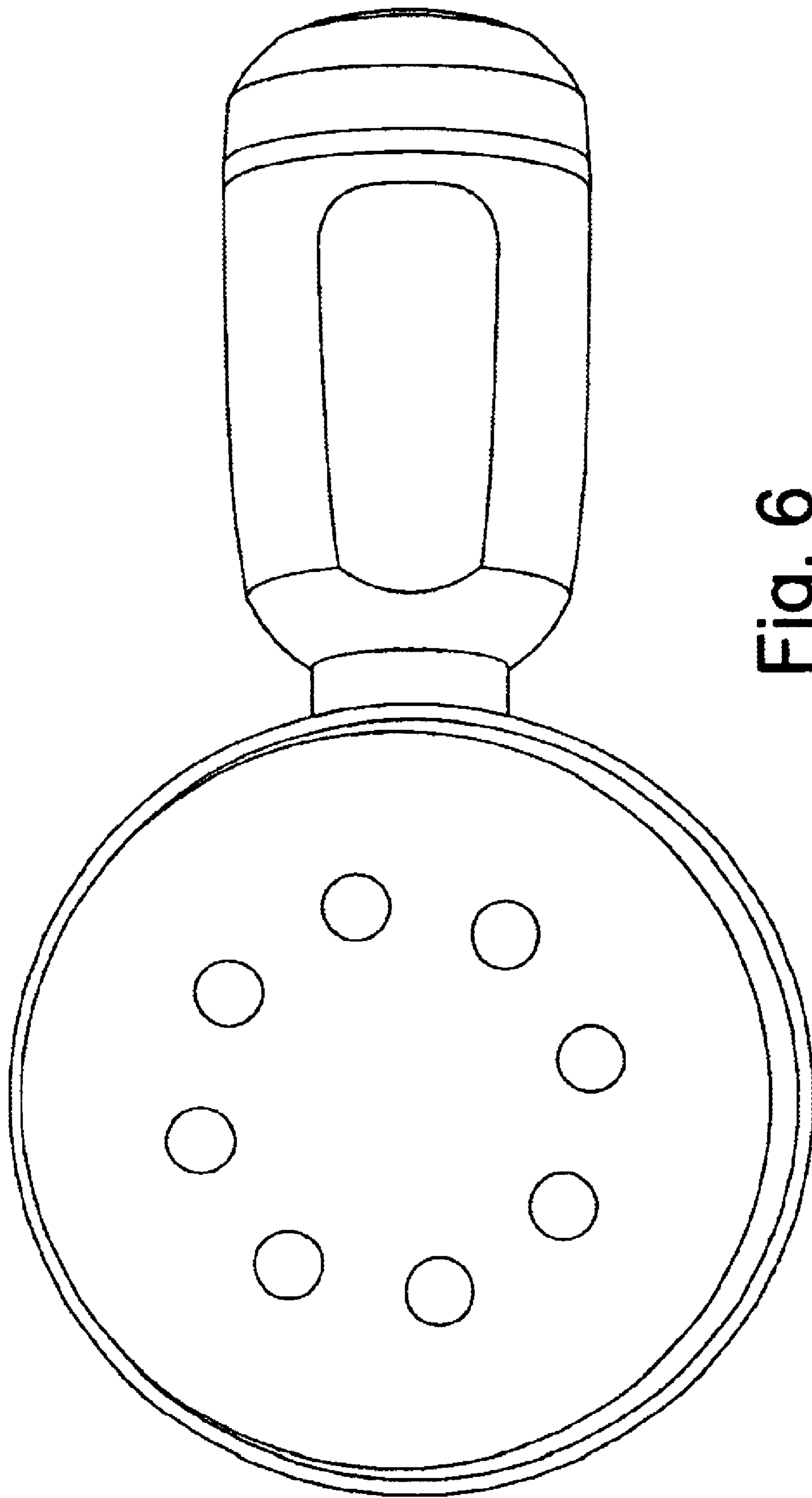


Fig. 6

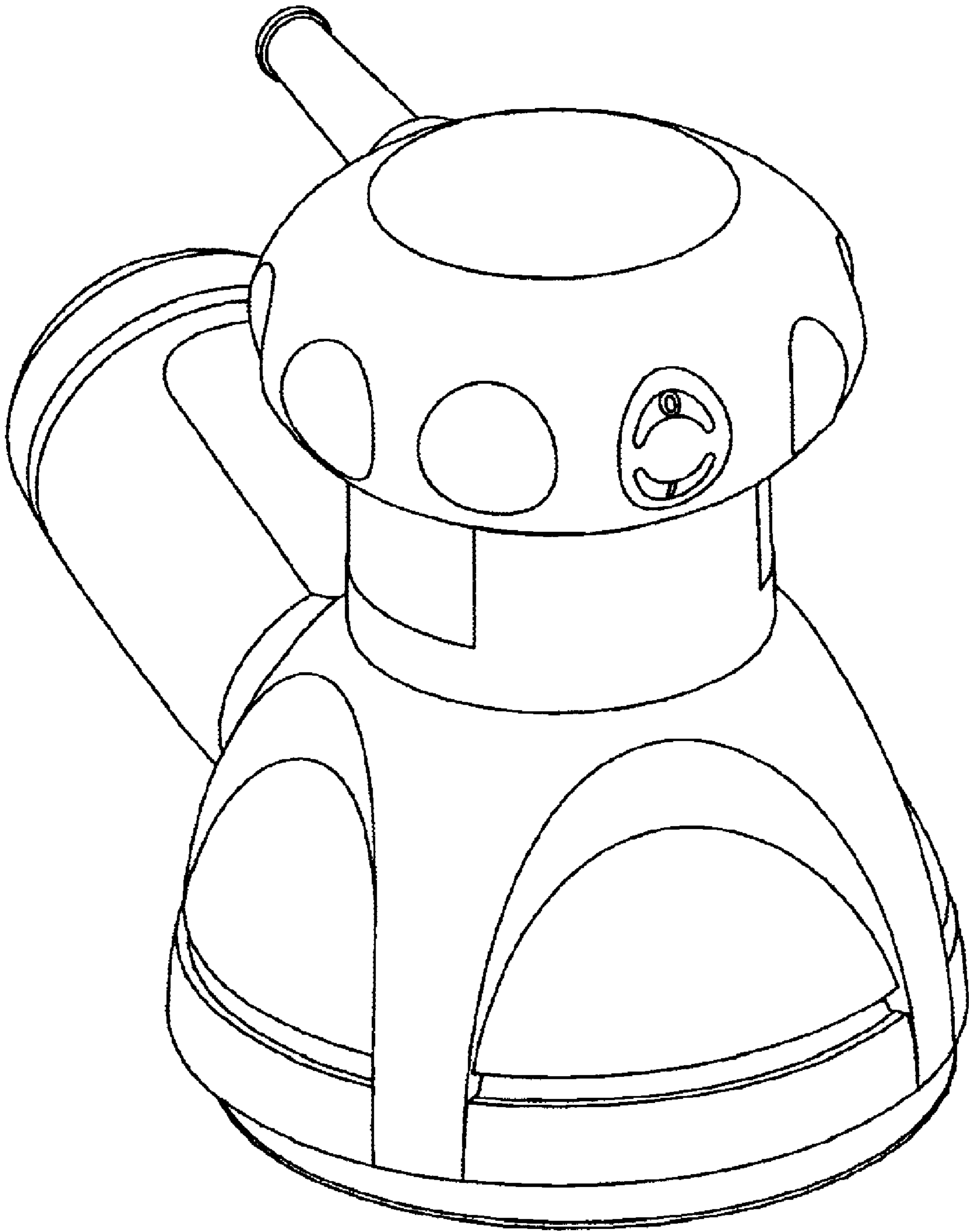


Fig. 7