



US00D488358S

(12) **United States Design Patent**  
**Cook**

(10) **Patent No.:** **US D488,358 S**

(45) **Date of Patent:** **\*\* Apr. 13, 2004**

(54) **COMBINED WINE BOTTLE HOLDER AND WINE DECANTING STAND**

(76) Inventor: **Ronald Lynn Cook**, 8566 S. Wasatch Blvd., Salt Lake City, UT (US) 84121

(\*\*) Term: **14 Years**

(21) Appl. No.: **29/180,375**

(22) Filed: **Apr. 23, 2003**

(51) **LOC (7) Cl.** ..... **07-06**

(52) **U.S. Cl.** ..... **D7/619.1**

(58) **Field of Search** ..... D7/619.1; D6/465, D6/466; 211/13.1, 71.01, 74; 248/146, 174, 176.1, 311.2; D21/484-488, 500-502; D23/266; D25/119, 126

(56) **References Cited**

**U.S. PATENT DOCUMENTS**

3,004,330	A	*	10/1961	Wilkins	.....	D23/266
D257,935	S		1/1981	Allan		
D262,085	S		12/1981	Petley		
4,496,124	A	*	1/1985	Cole	.....	248/146
4,836,476	A		6/1989	Wolf		
D303,498	S		9/1989	Cruse		
5,026,480	A		6/1991	Fischer		
5,180,066	A	*	1/1993	McArdle	.....	211/74
D377,885	S	*	2/1997	Knapton	.....	D7/619.1
D395,210	S	*	6/1998	Almsig	.....	D7/701
D456,220	S	*	4/2002	Loiacono	.....	D7/619.1

**OTHER PUBLICATIONS**

Vol. 66,1 of The Wine Enthusiast, p. 11.

\* cited by examiner

*Primary Examiner*—Terry A. Wallace

(74) *Attorney, Agent, or Firm*—Jones, Waldo, Holbrook & McDonough; Brent T. Winder

(57) **CLAIM**

The ornamental design of a combined wine bottle holder and wine decanting stand, as shown and described.

**DESCRIPTION**

FIG. 1 is a perspective view showing a side view of a round-shaped wine bottle holder and wine decanting stand in a bottle holding position;

FIG. 2 is a perspective view showing a side view of a round-shaped wine bottle holder and wine decanting stand of FIG. 1 in a wine decanting position;

FIG. 3 is a side view of the invention of FIG. 1;

FIG. 4 is a side view of the invention of FIG. 1;

FIG. 5 is a side view of the invention of FIG. 1;

FIG. 6 is a side view of the invention of FIG. 1;

FIG. 7 is a front end view of the invention of FIG. 1;

FIG. 8 is rear end view of the invention of FIG. 1;

FIG. 9 is a perspective view showing a side view of a square-shaped wine bottle holder and wine decanting stand in a bottle holding position;

FIG. 10 is a perspective view showing a side view of a square-shaped wine bottle holder and wine decanting stand of FIG. 9 in a wine decanting position;

FIG. 11 is a side view of the invention of FIG. 9;

FIG. 12 is a side view of the invention of FIG. 9;

FIG. 13 is a side view of the invention of FIG. 9;

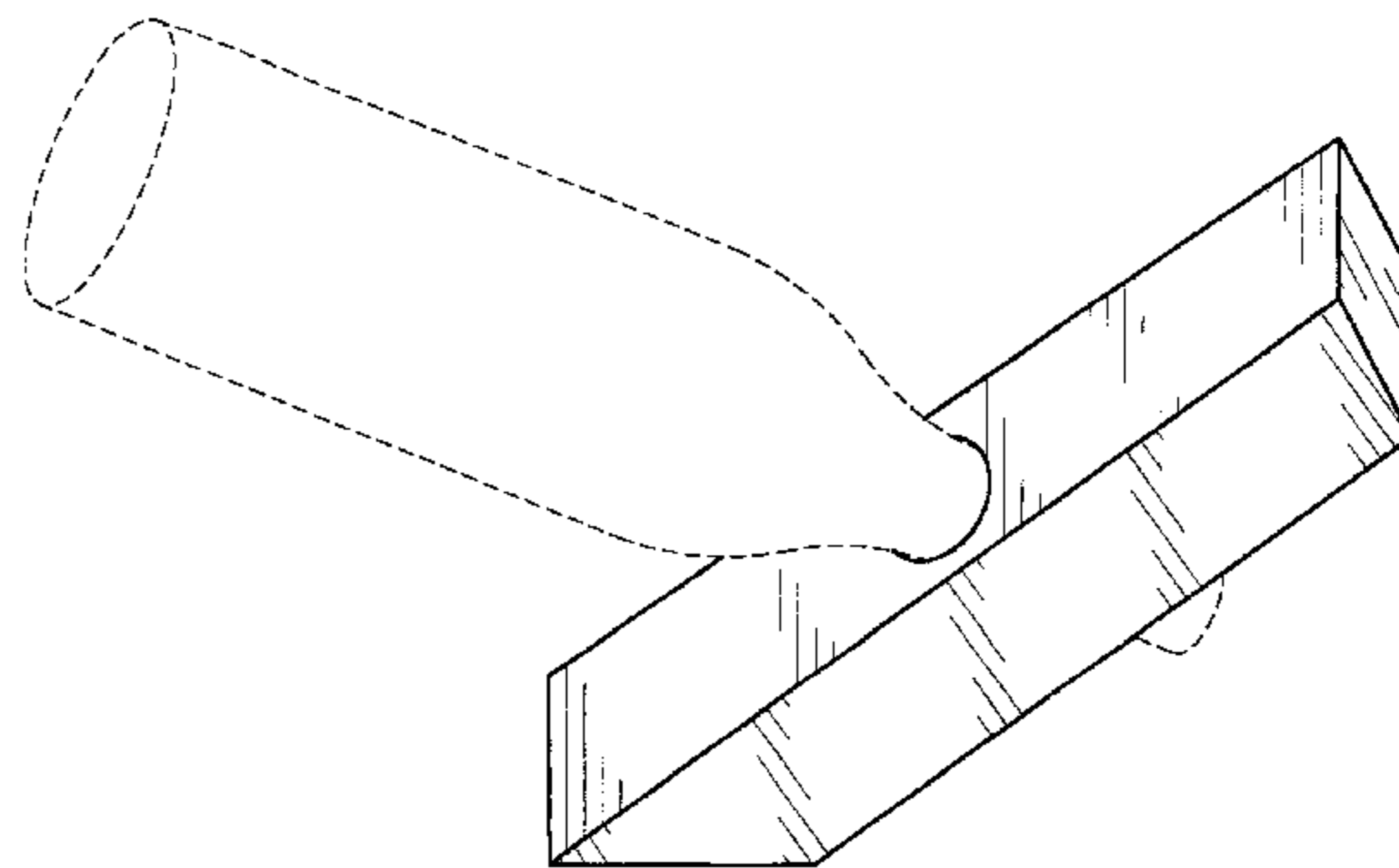
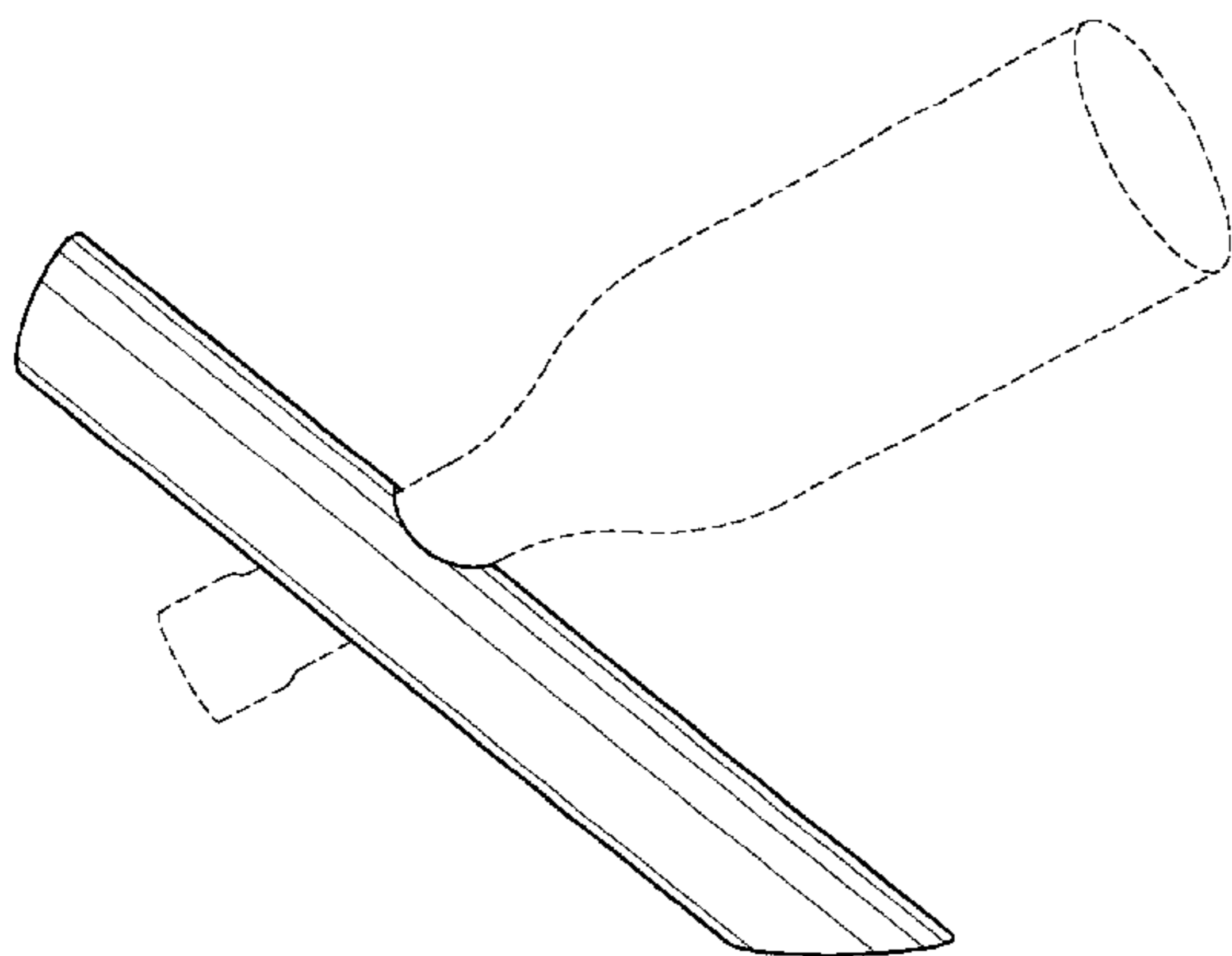
FIG. 14 is a side view of the invention of FIG. 9;

FIG. 15 is a front end view of the invention of FIG. 9; and,

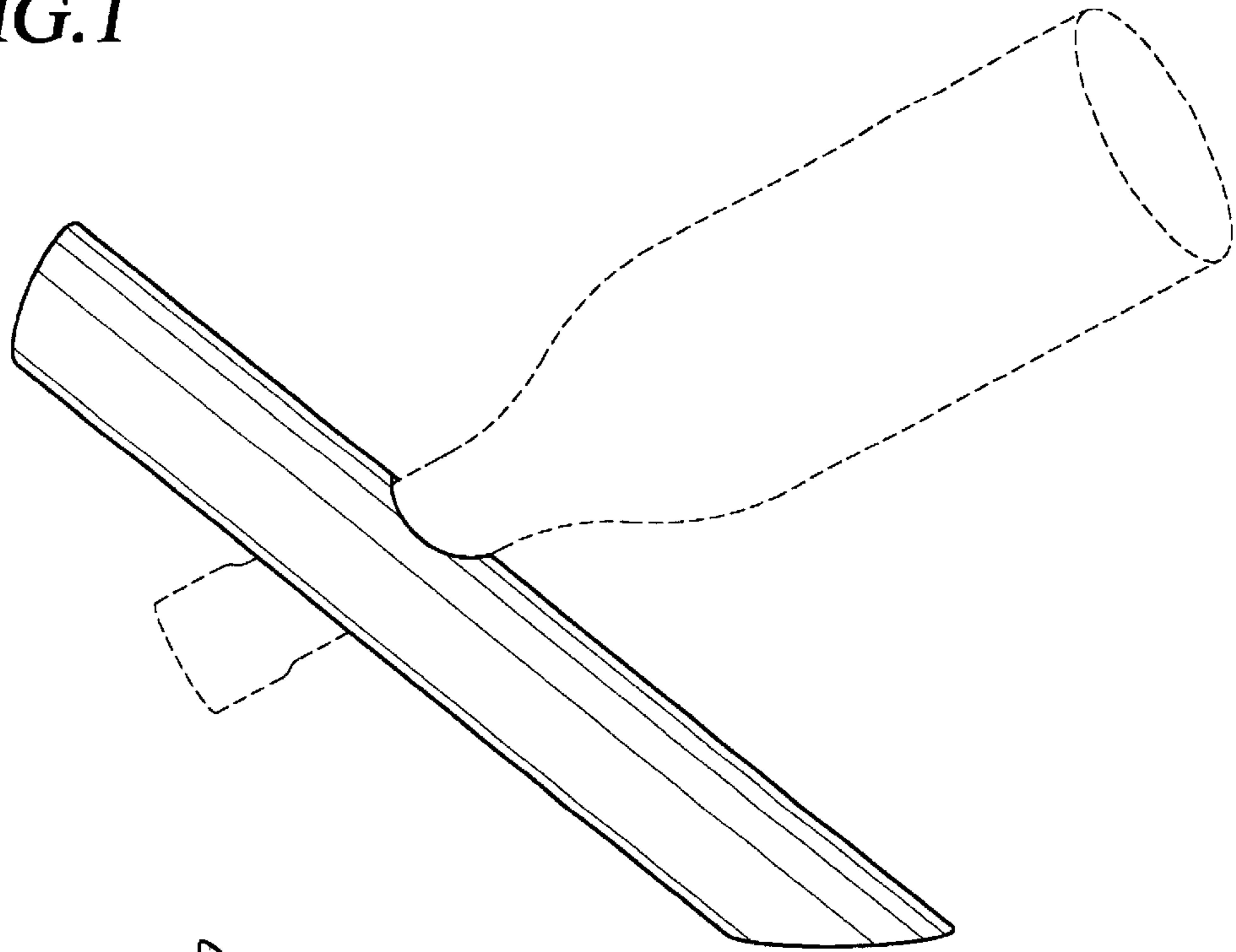
FIG. 16 is rear end view of the invention of FIG. 9.

The broken lines showing the wine bottle are for illustrative purposes only and form no part of the claimed design.

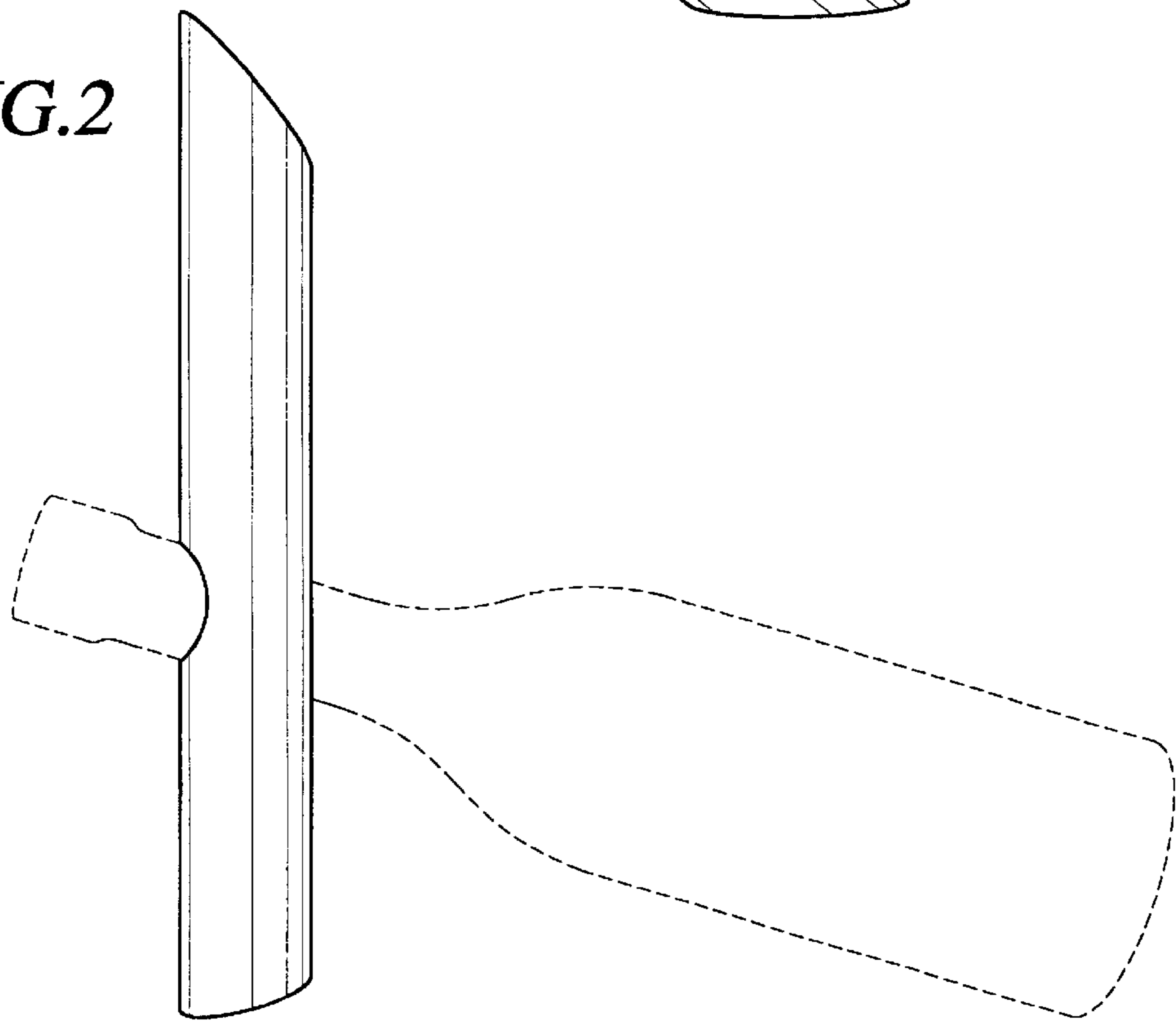
**1 Claim, 4 Drawing Sheets**



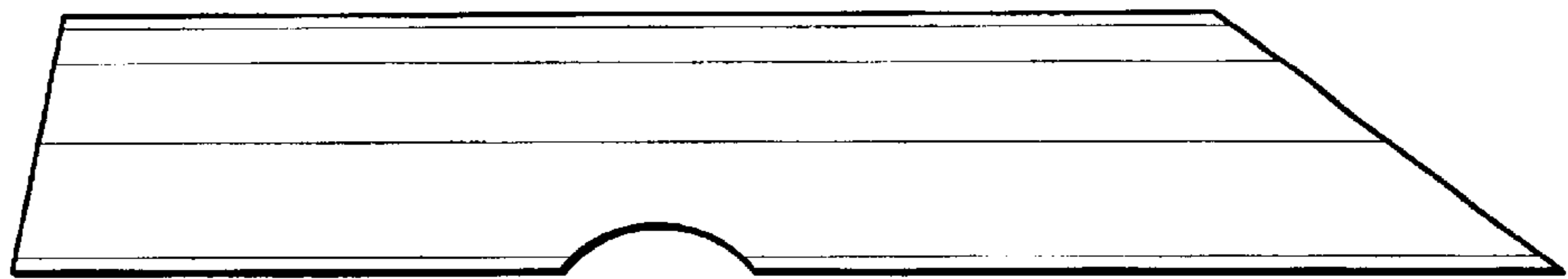
*FIG.1*



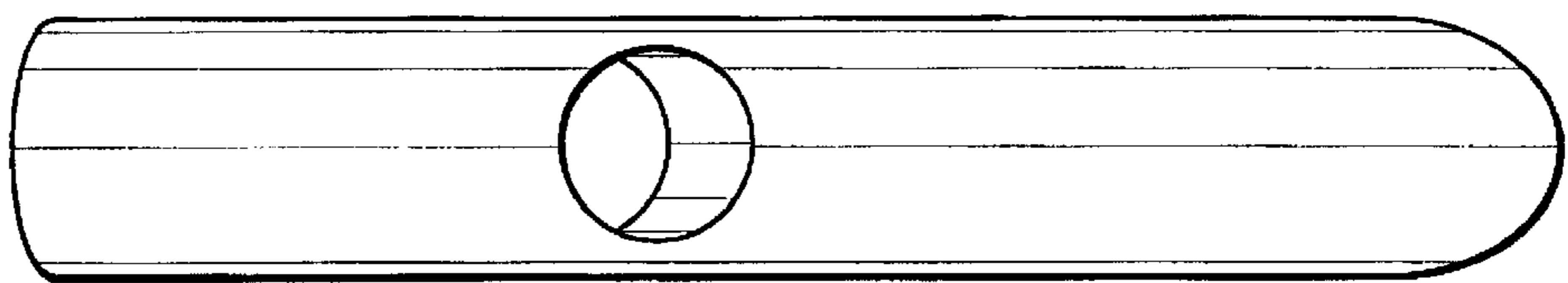
*FIG.2*



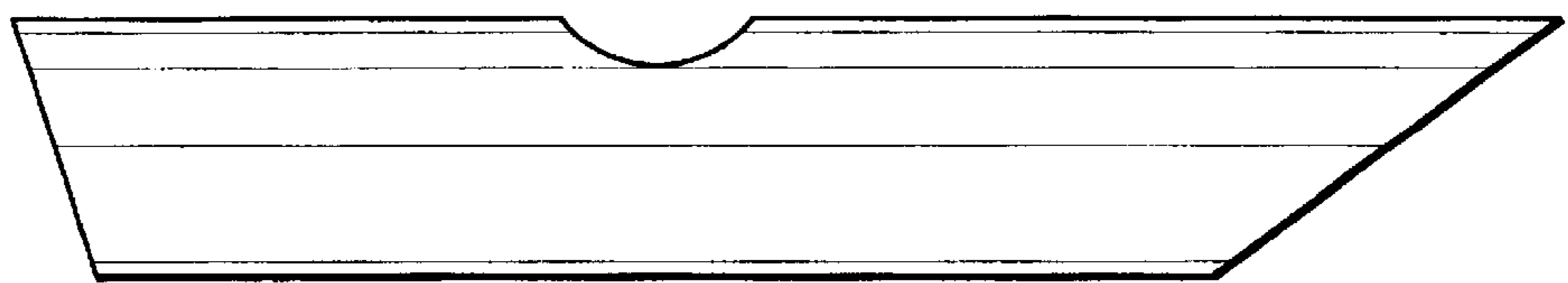
**FIG.3**



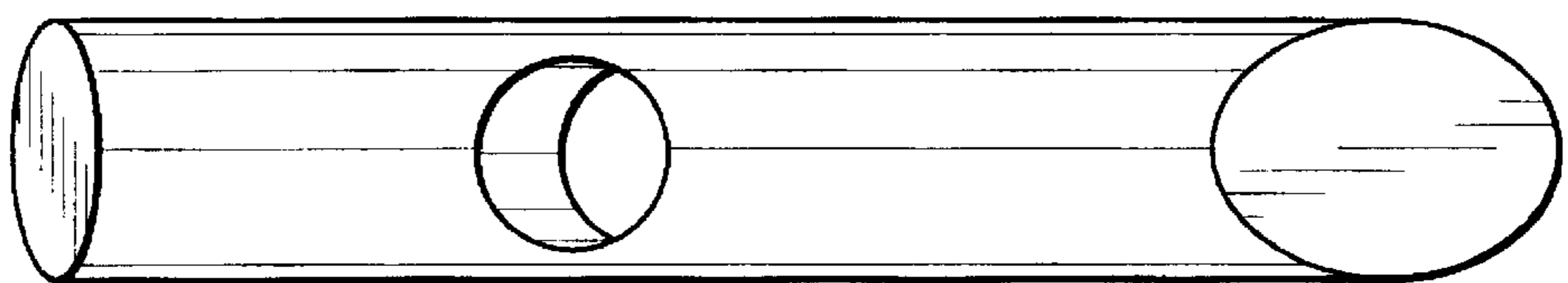
**FIG.4**



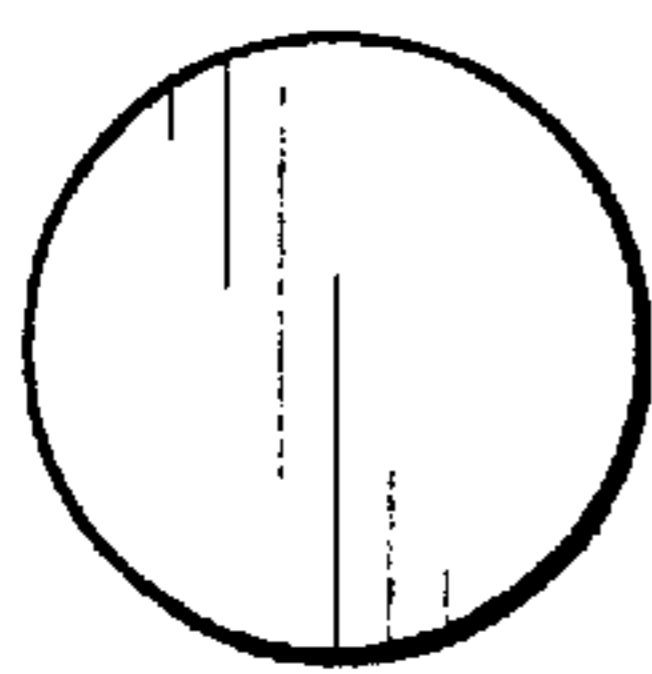
**FIG.5**



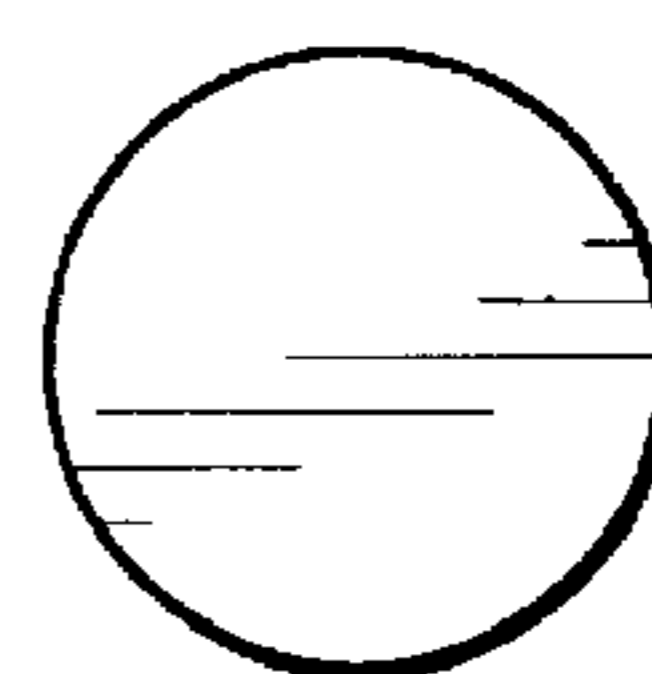
**FIG.6**



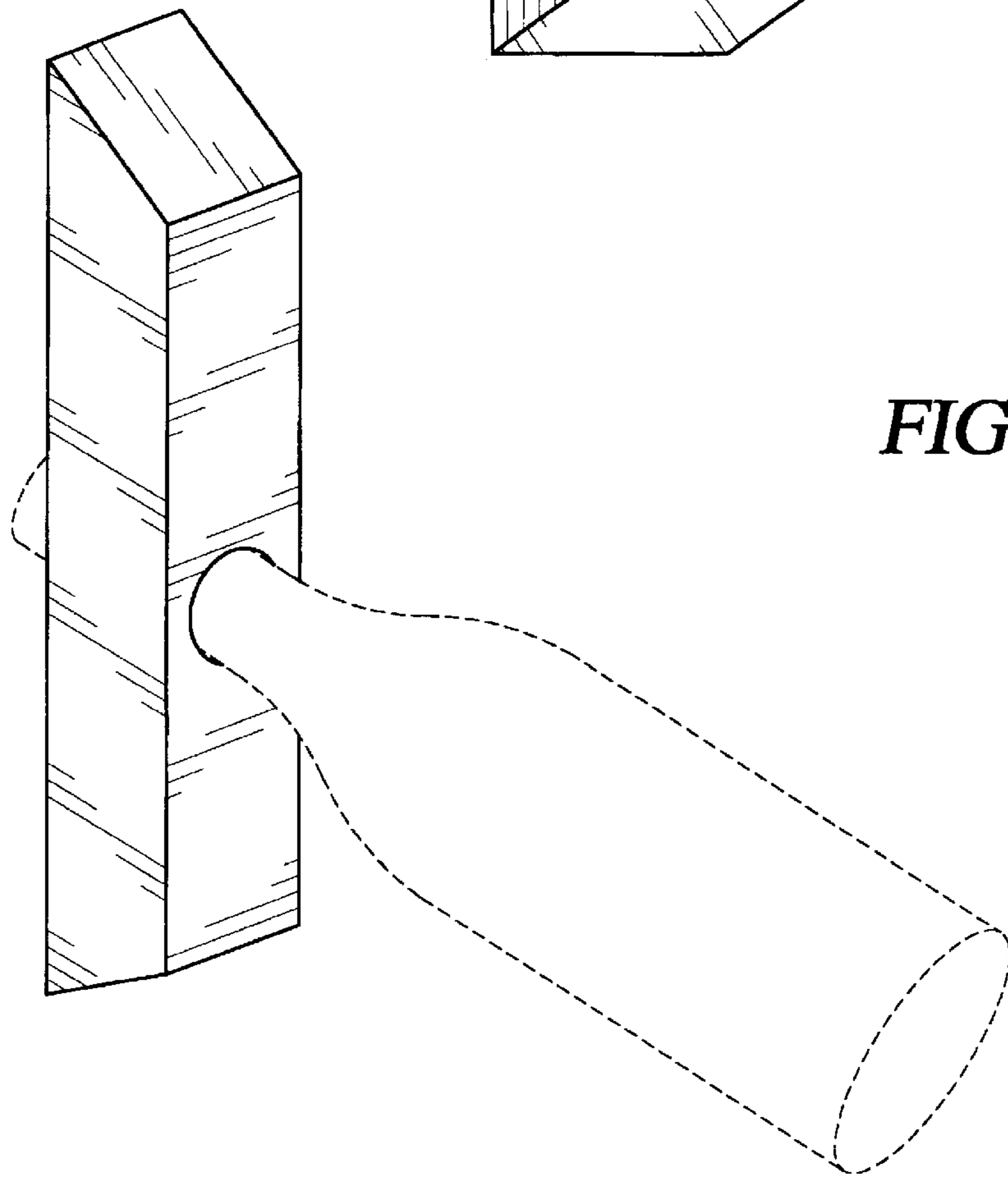
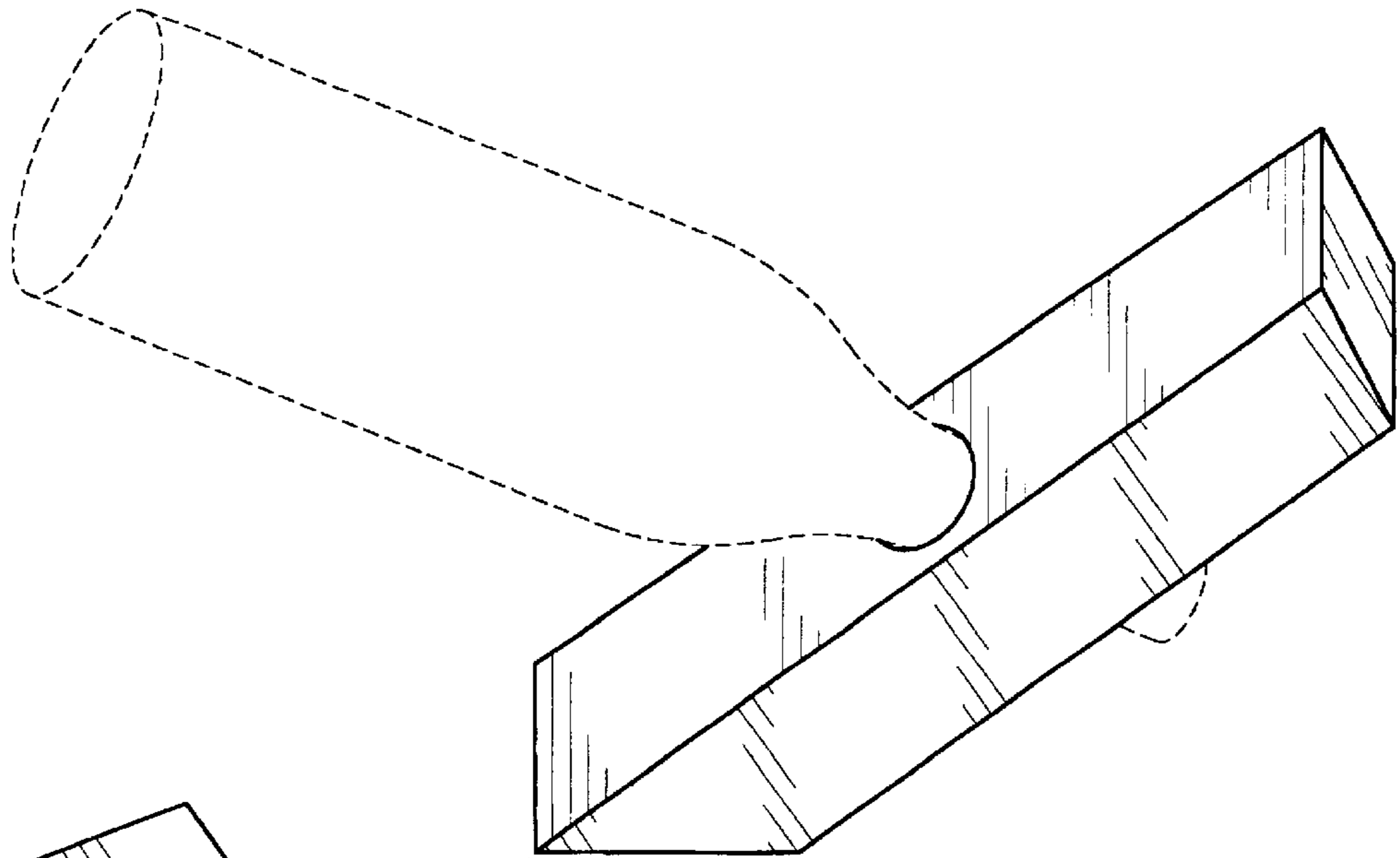
**FIG.7**



**FIG.8**

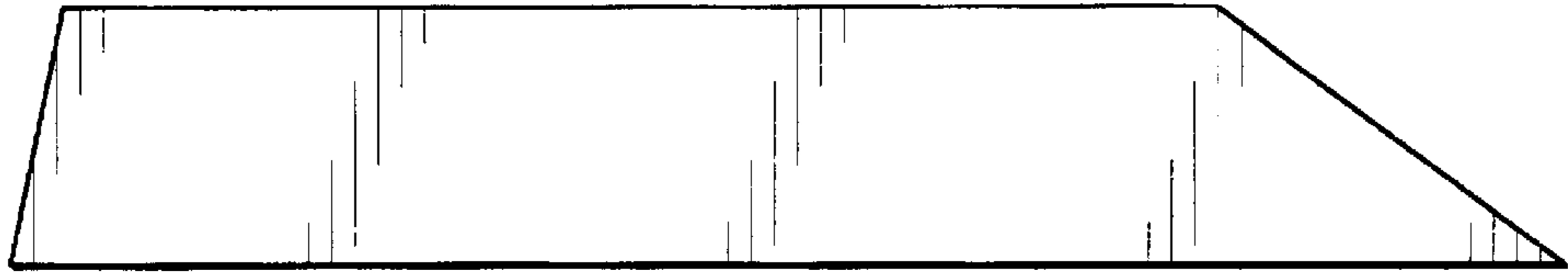


**FIG.9**

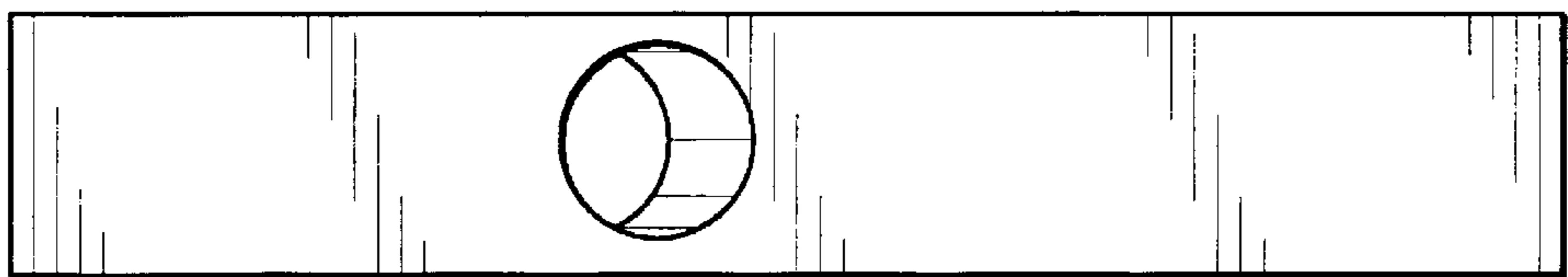


**FIG.10**

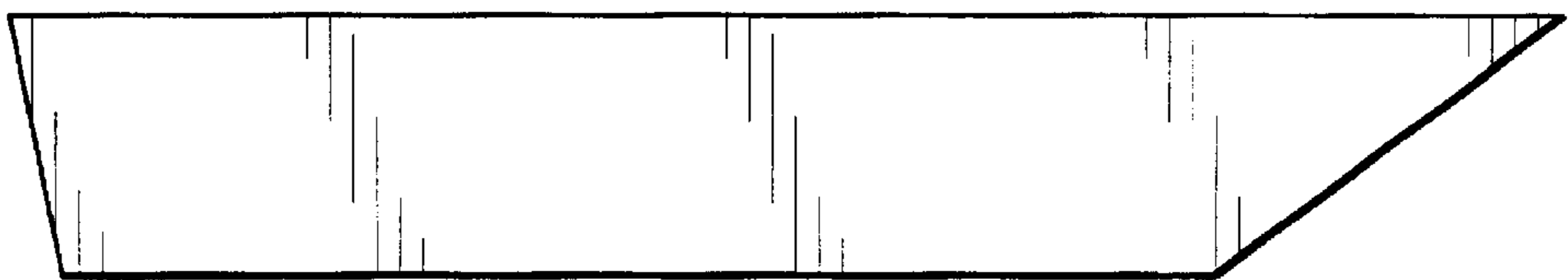
*FIG. 11*



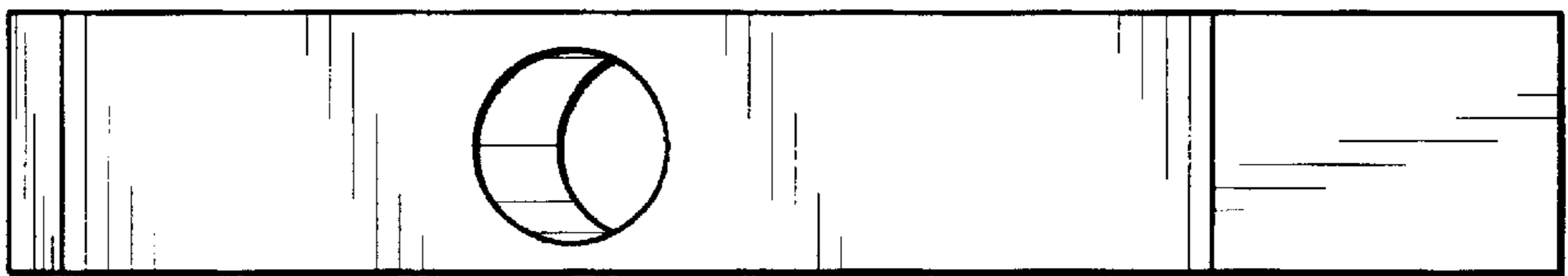
*FIG. 12*



*FIG. 13*



*FIG. 14*



*FIG. 15*



*FIG. 16*

