



US00D488356S

(12) **United States Design Patent**
Wiest

(10) **Patent No.:** **US D488,356 S**

(45) **Date of Patent:** **** Apr. 13, 2004**

(54) **CHILLER**

D444,036 S * 6/2001 Hans D7/603

(76) Inventor: **Nicolai Wiest**, Hanauer Landstrasse,
Frankfurt am Main (DE), 60314

* cited by examiner

(**) Term: **14 Years**

Primary Examiner—Terry A. Wallace

(74) *Attorney, Agent, or Firm*—Goldstein Law Offices, P.C.

(21) Appl. No.: **29/179,914**

(57) **CLAIM**

(22) Filed: **Apr. 16, 2003**

The ornamental design for a chiller, as shown and described.

(51) **LOC (7) Cl.** **07-01**

(52) **U.S. Cl.** **D7/603**

(58) **Field of Search** D7/601–604, 612–615,
D7/619.1, 629; 62/371, 372, 457.1, 457.8;
215/12.2, 13.1, 395, 396; 220/737, 739,
915.1, 915.2

DESCRIPTION

FIG. 1 is a perspective view of a chiller in full lines with a bottle shown in broken lines representing environmental association matter being for illustrative purposes only and forming no part of the claimed invention.

FIG. 2 is a front elevational view of the chiller, the rear elevational view being a mirror image of the front view.

FIG. 3 is a left side elevational view thereof, the right side elevational view being a mirror image of the left side view.

FIG. 4 is a top plan view thereof; and,

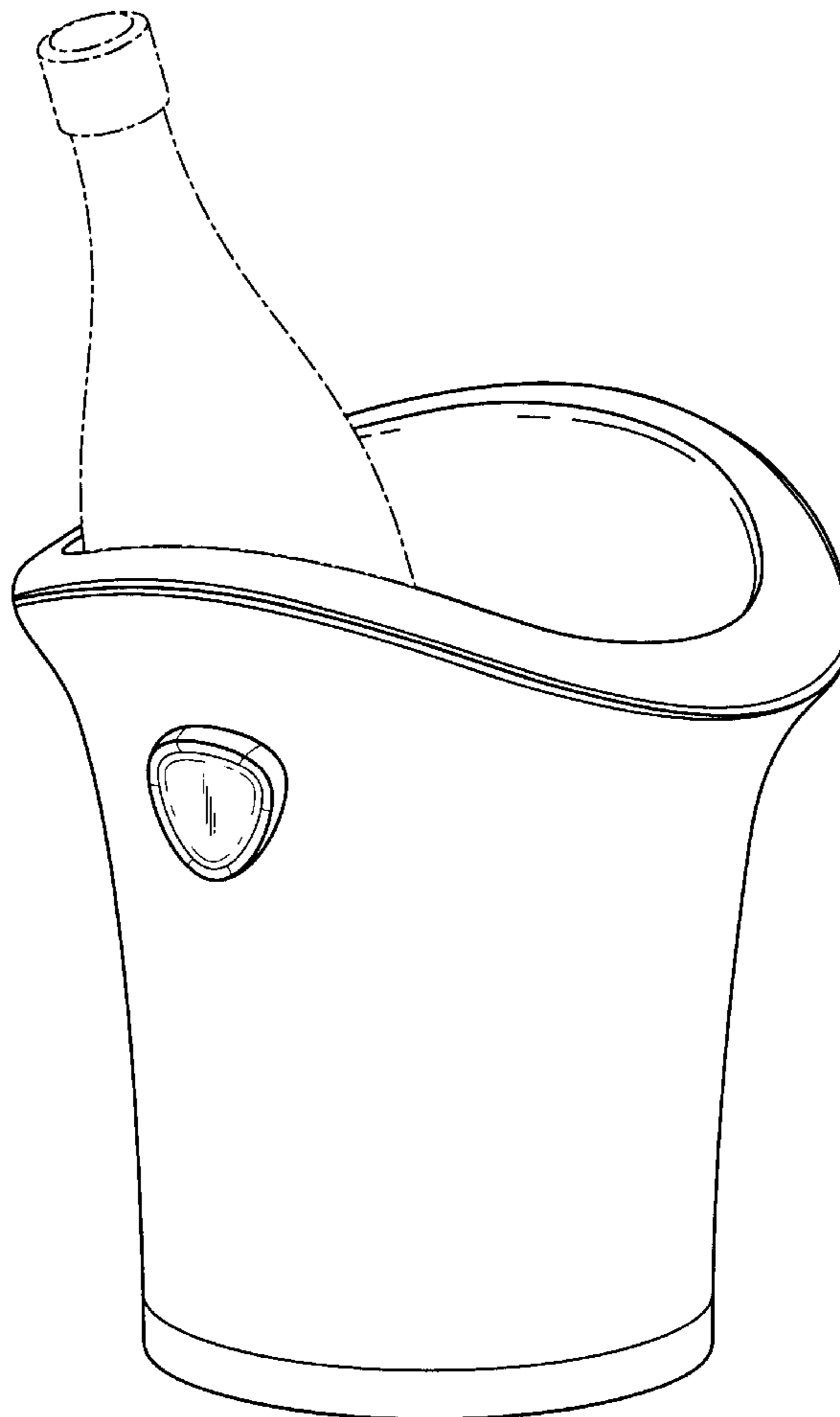
FIG. 5 is a bottom plan view thereof.

(56) **References Cited**

U.S. PATENT DOCUMENTS

551,797 A * 12/1895 Stafford D7/603
D202,994 S * 11/1965 Taylor D7/604

1 Claim, 3 Drawing Sheets



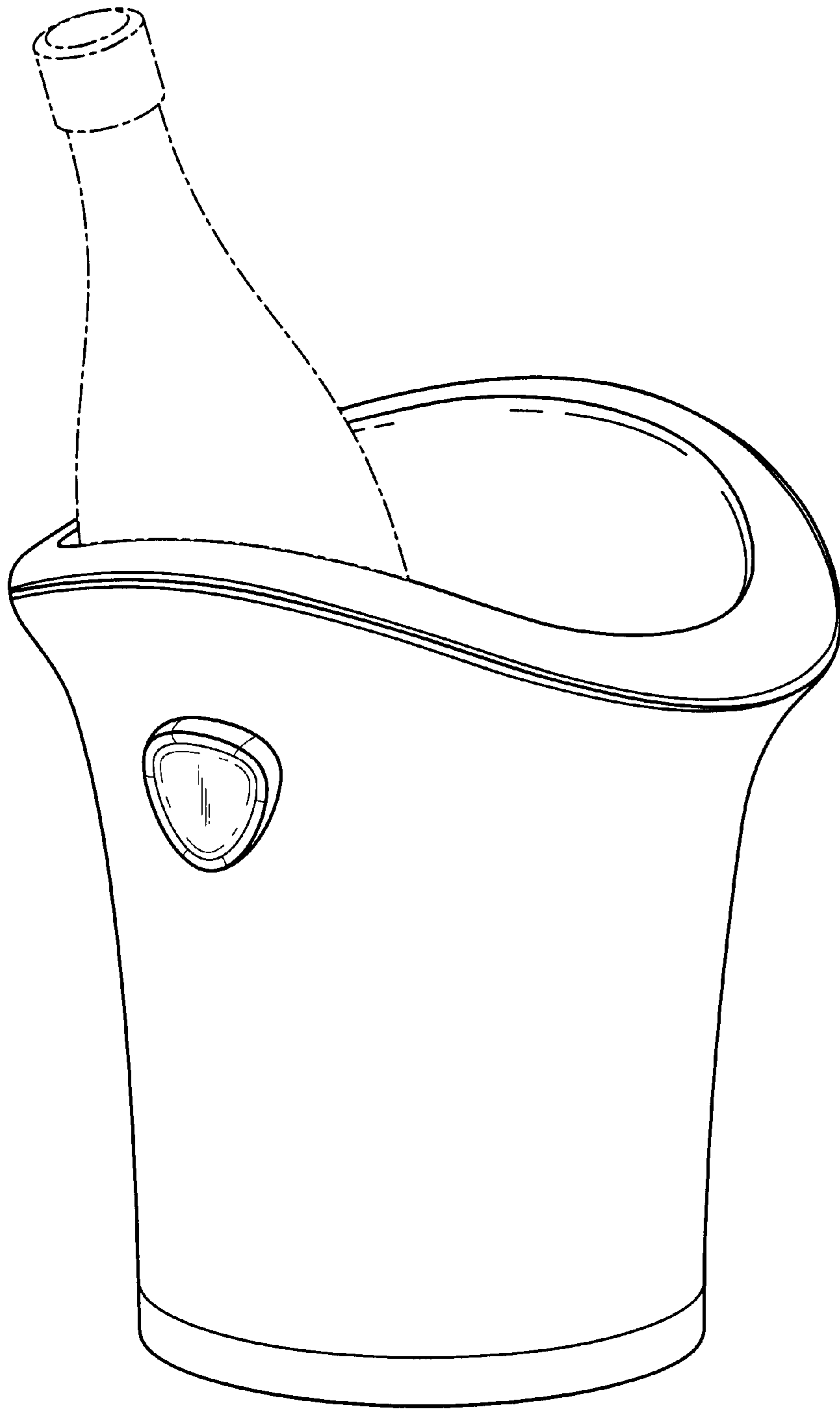


FIG. 1

FIG. 2

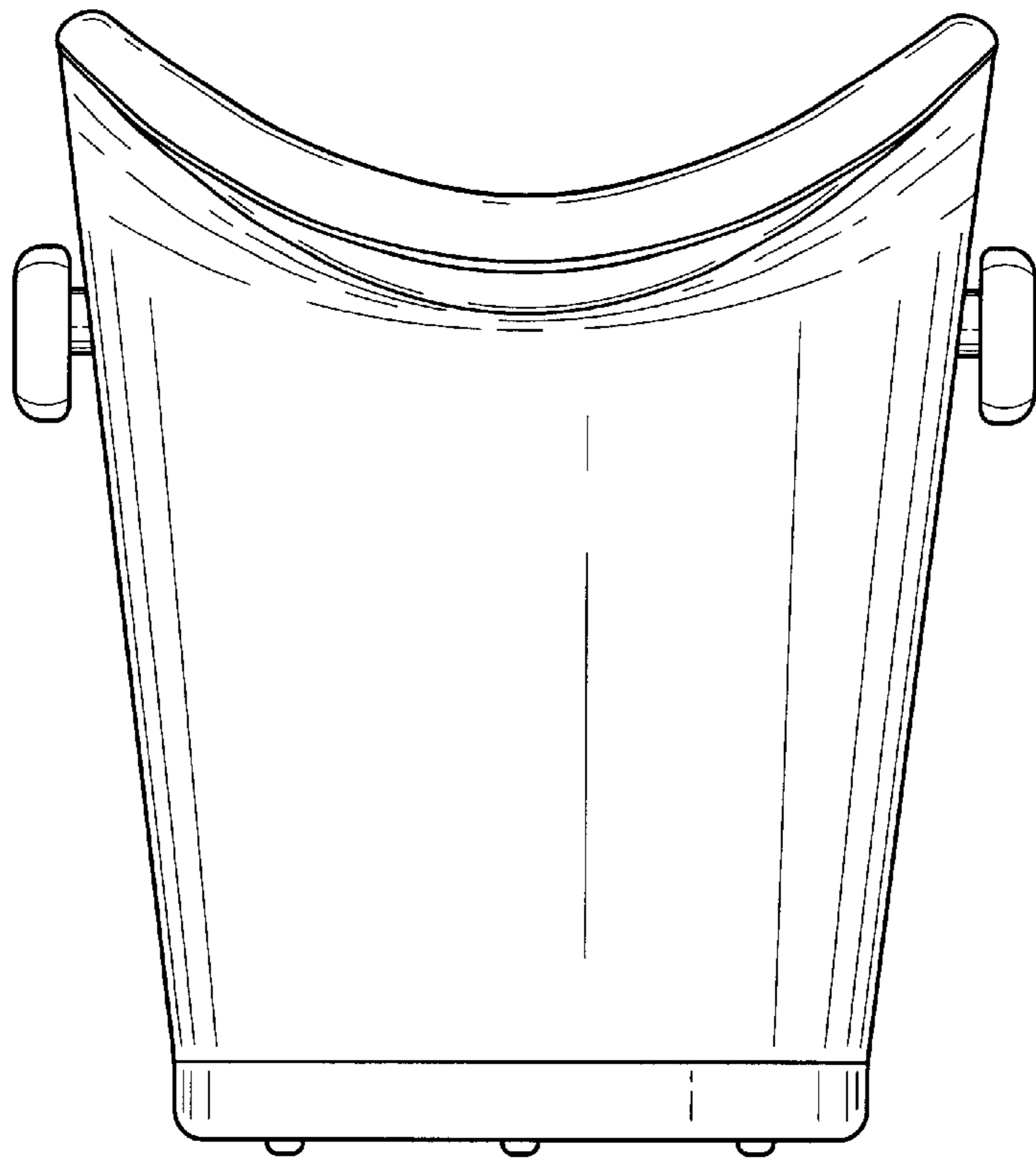


FIG. 3

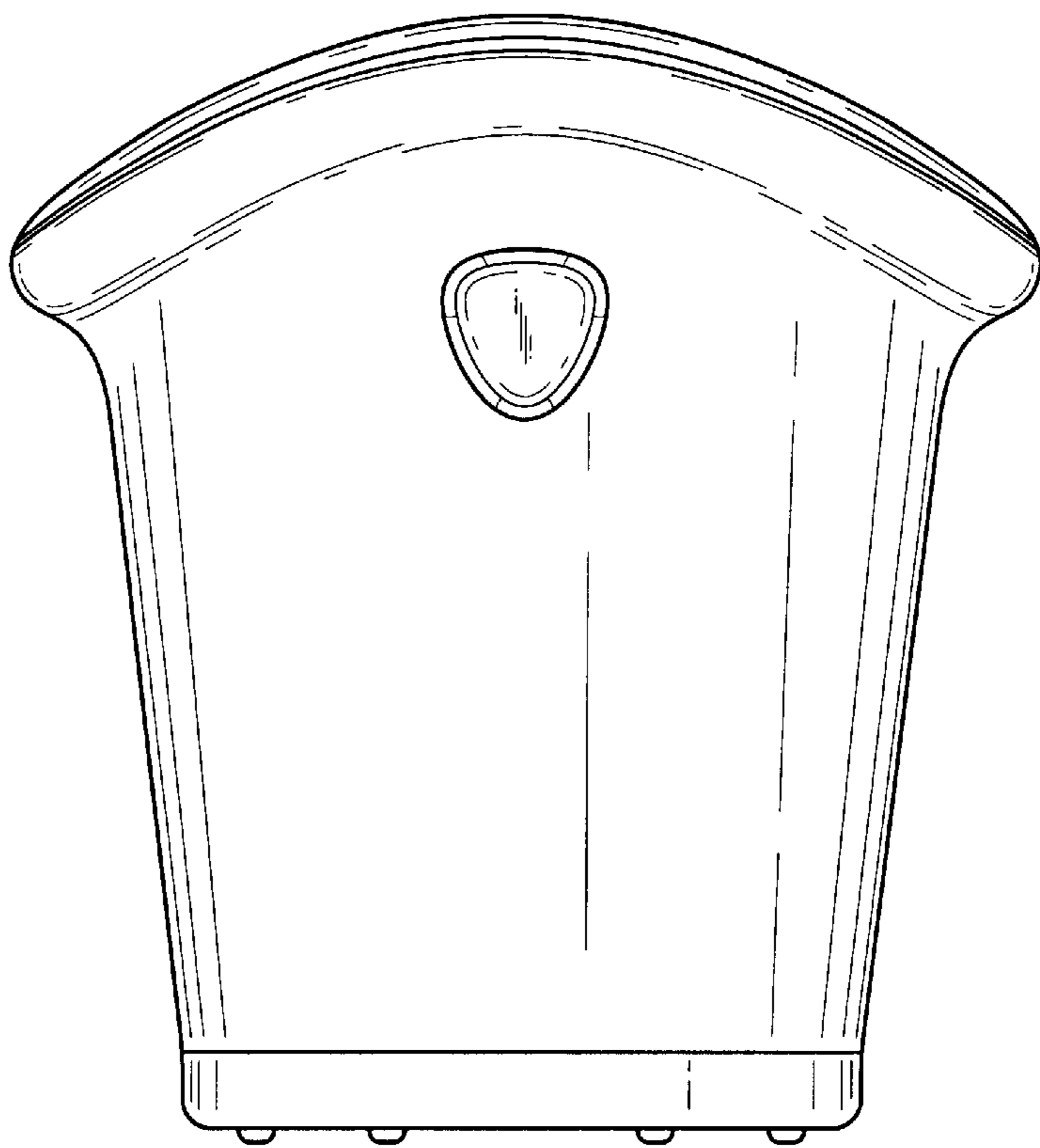


FIG. 4

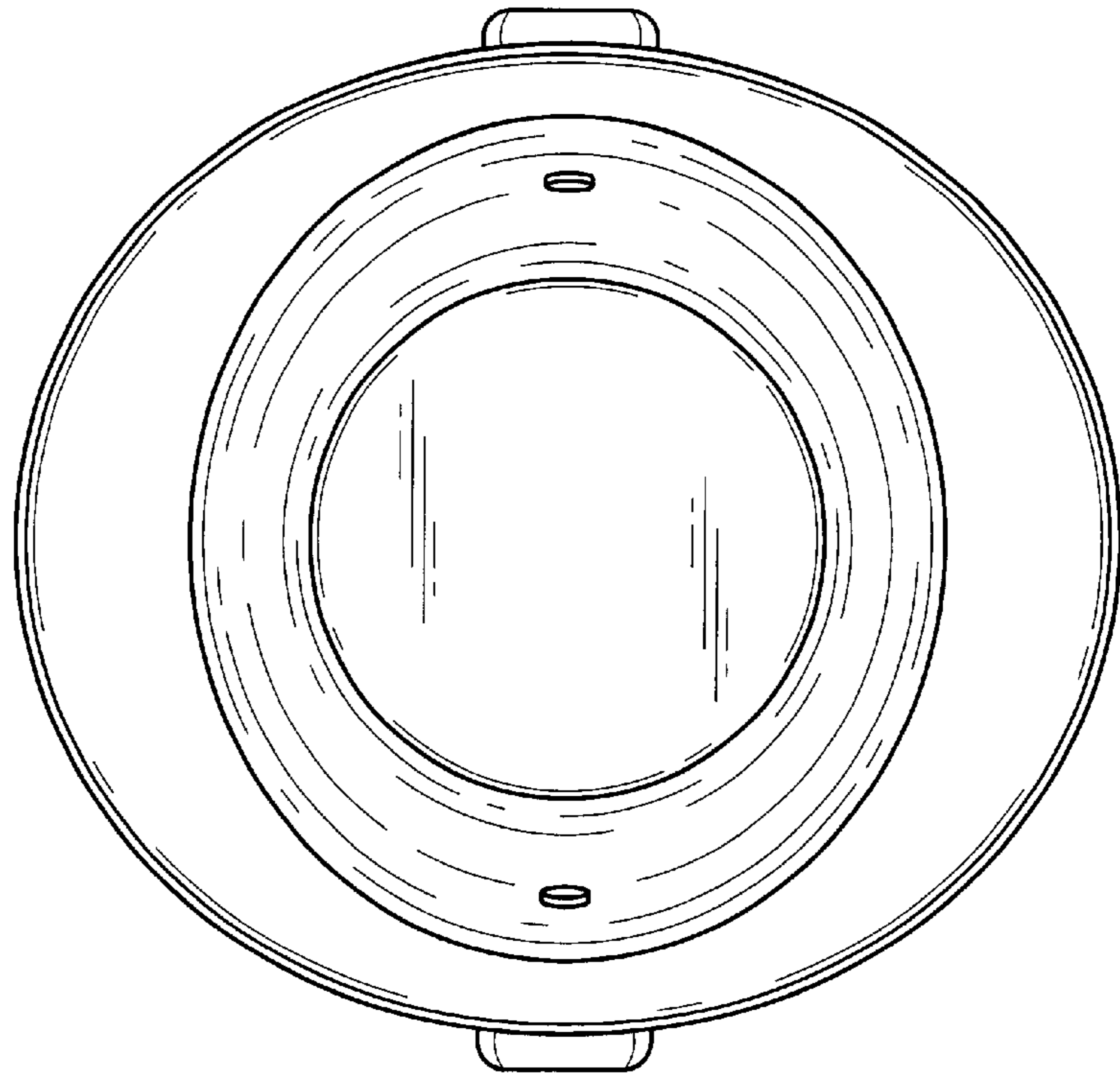


FIG. 5

