



US00D488353S

(12) **United States Design Patent**  
**Govrik et al.**

(10) **Patent No.:** **US D488,353 S**

(45) **Date of Patent:** **\*\* Apr. 13, 2004**

(54) **SLOTTED TURNTABLE**

(75) Inventors: **Devee J. Govrik**, St. Paul, MN (US);  
**Christopher Govrik**, St. Paul, MN  
(US)

(73) Assignee: **DV International**, St. Paul, MN (US)

(\*\*) Term: **14 Years**

(21) Appl. No.: **29/173,655**

(22) Filed: **Jan. 3, 2003**

(51) **LOC (7) Cl.** ..... **07-06**

(52) **U.S. Cl.** ..... **D7/600.1**

(58) **Field of Search** ..... D7/590, 600.1-600.4,  
D7/601, 701, 707, 708; D6/457, 469, 513,  
514, 569; 211/71.01, 74, 77-79, 126.1,  
131.1

(56) **References Cited**

**U.S. PATENT DOCUMENTS**

1,978,695 A \* 10/1934 Clark ..... 211/77

3,331,515 A \* 7/1967 Lange ..... 211/77

4,849,177 A \* 7/1989 Jordan ..... 211/77

4,956,148 A \* 9/1990 Grandone ..... 211/77

D323,446 S \* 1/1992 Morse ..... D7/600.2

6,182,839 B1 \* 2/2001 Robbins et al. .... 211/78

\* cited by examiner

*Primary Examiner*—Terry A. Wallace

(74) *Attorney, Agent, or Firm*—Merchant & Gould P.C.

(57) **CLAIM**

The ornamental design for slotted turntable, as shown and described.

**DESCRIPTION**

FIG. 1 is a side perspective view of the slotted turntable;  
FIG. 2 is a top plan view of the slotted turntable;  
FIG. 3 is a bottom plan view of the slotted turntable; and,  
FIG. 4 is a side view with the side opposite being a mirror  
image thereof of the slotted turntable.

**1 Claim, 2 Drawing Sheets**

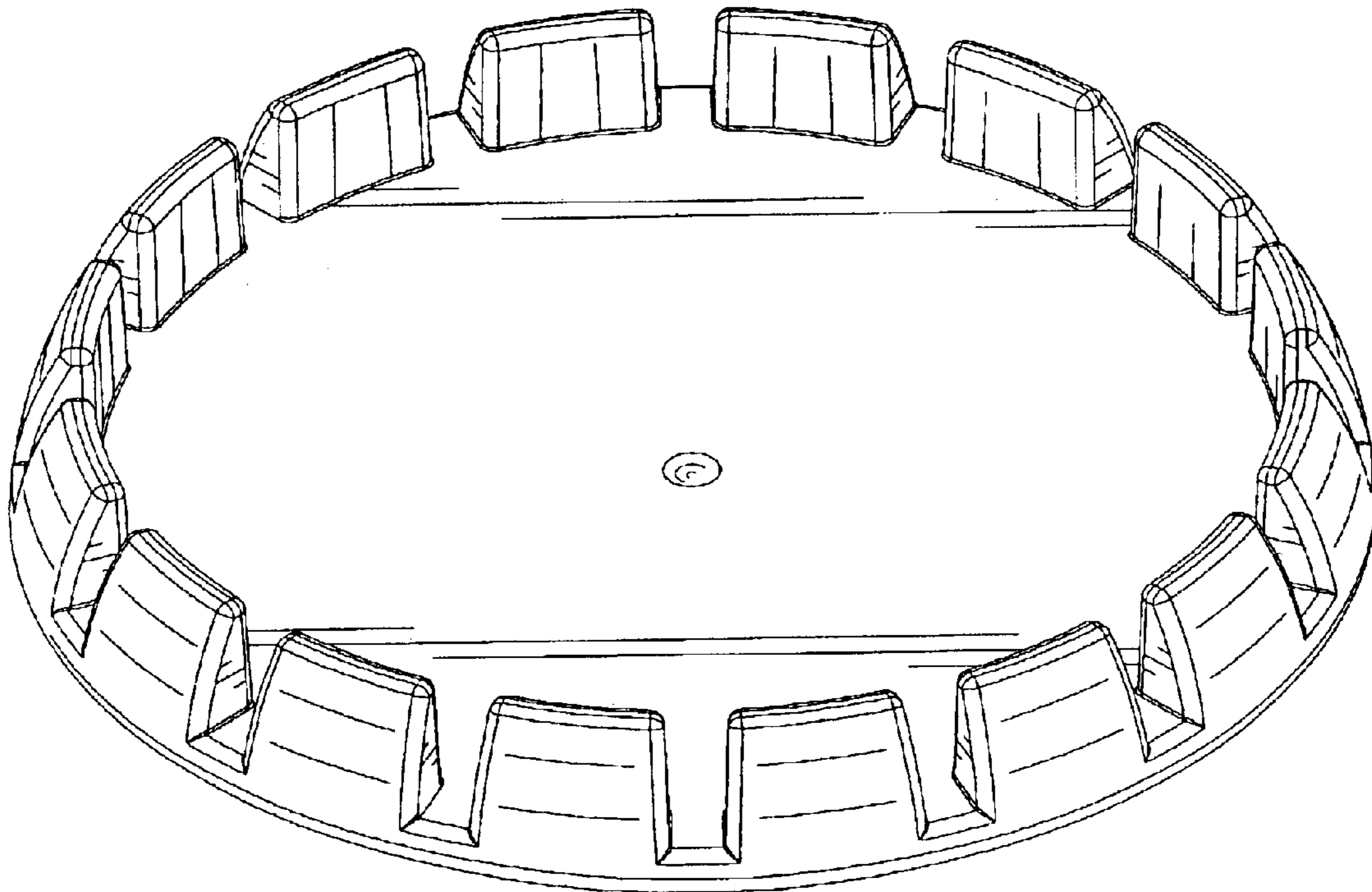


FIG. 1

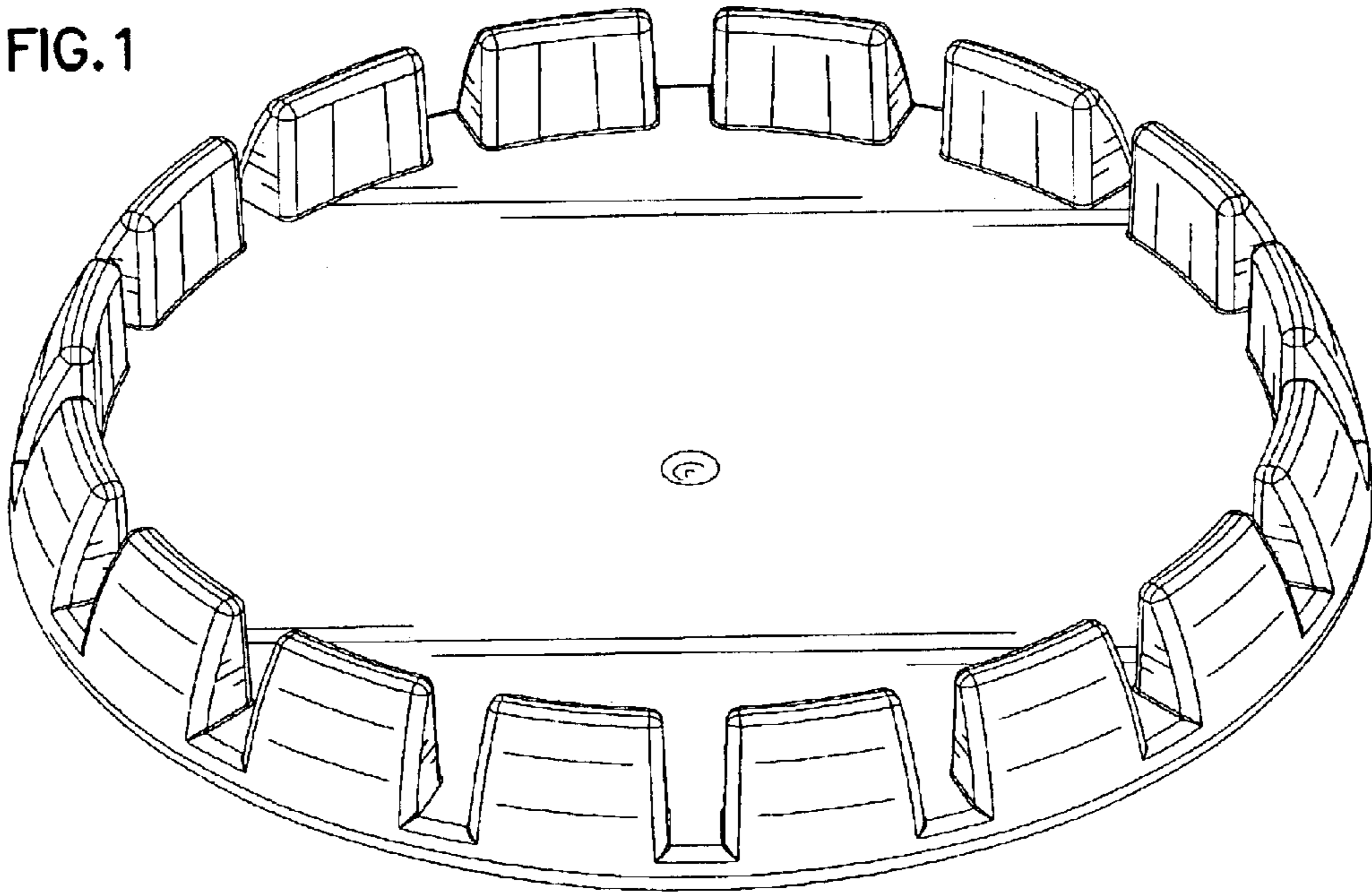


FIG. 2

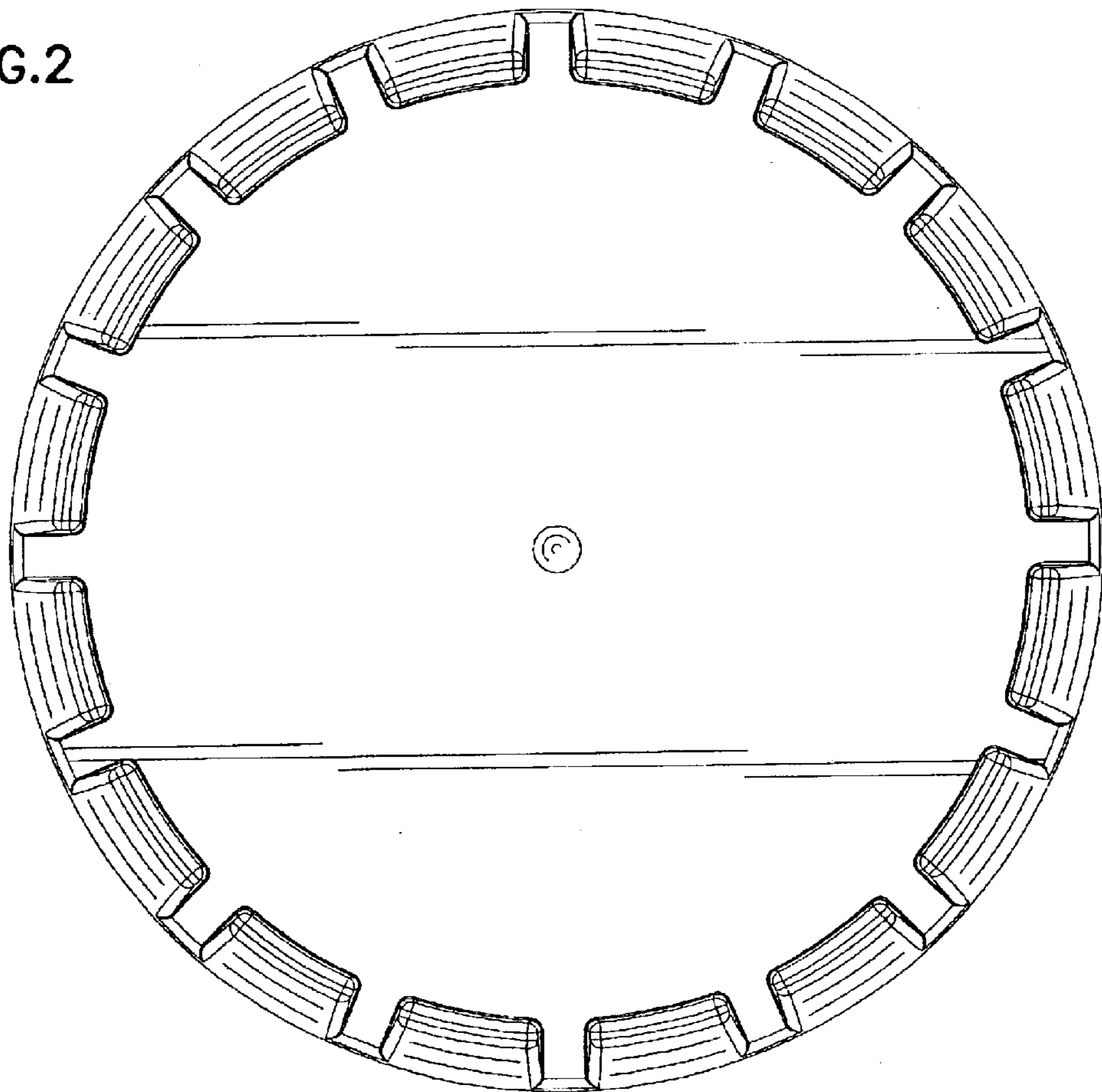


FIG.3

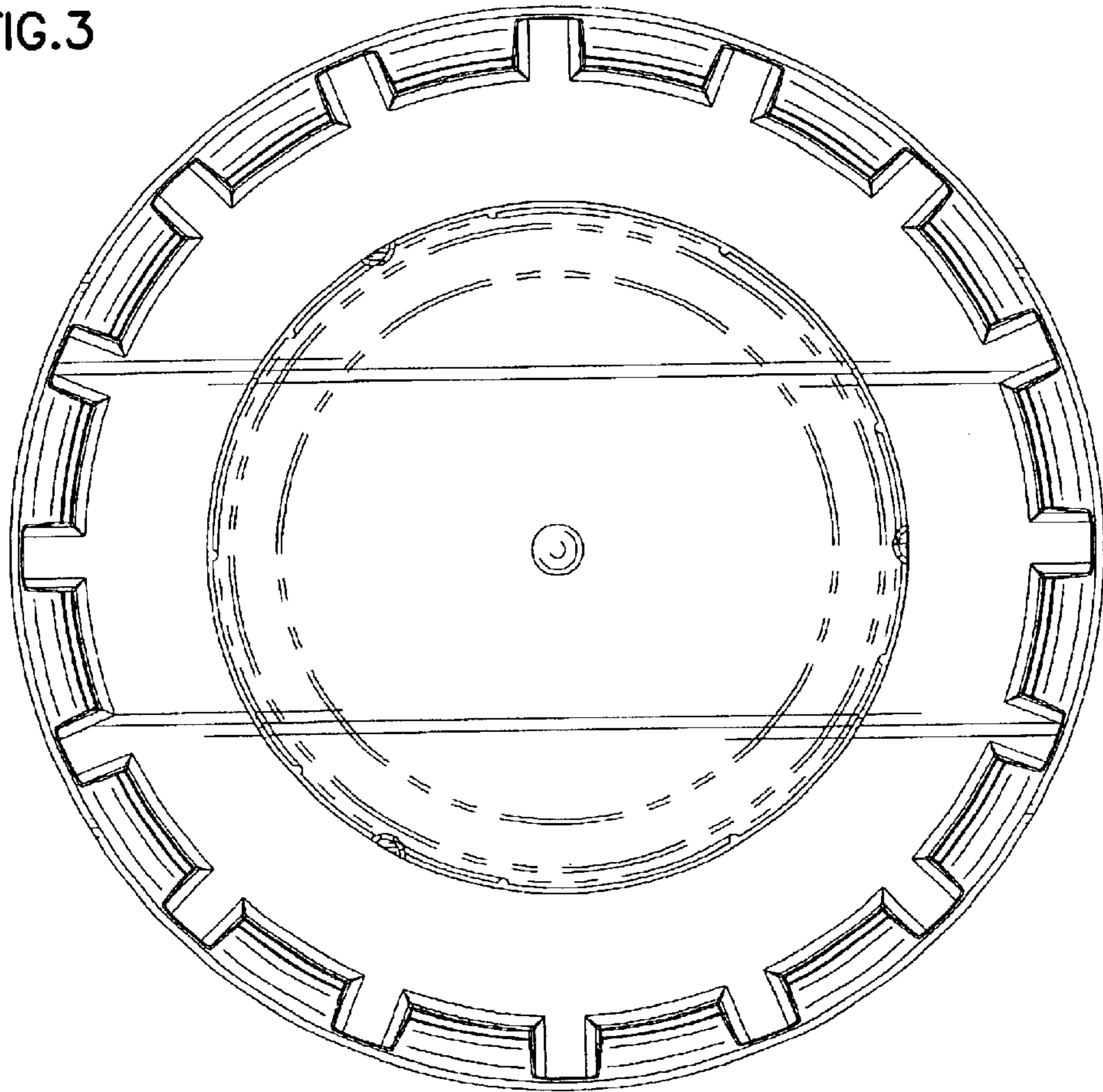


FIG.4

