



US00D488347S

(12) **United States Design Patent** (10) **Patent No.:** **US D488,347 S**
Boozer et al. (45) **Date of Patent:** **** Apr. 13, 2004**

(54) **BLADE FOR A FOOD BLENDER**

(75) Inventors: **Richard D. Boozer**, Wakeman, OH (US); **David J. Kolar**, Stow, OH (US); **Michael D. Anton**, Olmsted Township, OH (US)

(73) Assignee: **Vita-Mix Corporation**, Cleveland, OH (US)

(**) Term: **14 Years**

(21) Appl. No.: **29/176,923**

(22) Filed: **Feb. 28, 2003**

(51) **LOC (7) Cl.** **31-00**

(52) **U.S. Cl.** **D7/412**

(58) **Field of Search** D7/376-386, 412; D8/1, 98; 241/37.5, 205, 241, 279, 282.1, 282.2, 292.1, 199.12, 342, 343; 366/64-67, 98, 100, 129, 146, 192, 241, 247, 279, 282, 318, 325.3, 325.92-325.94, 327.2, 328.2, 329.1, 330.1-330.5, 342, 343, 205

(56) **References Cited**

U.S. PATENT DOCUMENTS

2,702,571 A	2/1955	Murray	146/68
D181,373 S	* 11/1957	Schmidt	D7/412
2,897,862 A	* 8/1959	Malz et al.	241/199.12
3,036,614 A	* 5/1962	Knapp	241/292.1
3,333,831 A	* 8/1967	Chapman	366/129
3,368,800 A	* 2/1968	Barnard, Jr.	241/282.2
5,599,103 A	* 2/1997	Linscott	366/343
5,647,546 A	* 7/1997	Sinovas et al.	241/292.1
5,655,834 A	8/1997	Dickson	366/205
D433,282 S	11/2000	Bohannon, Jr. et al.	D7/412
D435,192 S	12/2000	Bohannon, Jr. et al.	D7/413

OTHER PUBLICATIONS

Brochure "The World's Best Blender Is . . .", K-Tec, Lindon, Utah, 4 pages, (undated).
Brochure excerpt "Hamilton Beach", Hamilton Beach Commercial, Washington, North Carolina, 4 pages, Aug. 1998.

Brochure "vita-prep™ The Professional Chef's Power Tool", Vita-Mix Corporation, Cleveland, Ohio, 4 pages May 1998.

Brochure excerpt "Vita-Mix® Two-Speed Drink Machine™ The World's Best Blender Does it All!", Vita-Mix Corporation, Cleveland, Ohio, 1 page (undated).

Brochure "What more can the world's best blender offer? More quiet.", Vita-Mix Corporation, Cleveland, Ohio, 4 pages, Apr. 1998.

Brochure excerpt "Get Trim & Fit Fast", Vita-Mix Corporation, Cleveland, Ohio, 7 pages, Jan. 1999.

* cited by examiner

Primary Examiner—Caron D. Veynar

(74) *Attorney, Agent, or Firm*—Renner, Kenner, Greive, Bobak, Taylor & Weber

(57) **CLAIM**

The ornamental design for a blade for a food blender, as shown and described.

DESCRIPTION

FIG. 1 is a top, left side perspective view of a blade for a food blender showing our new design;

FIG. 2 is a top, left side perspective view thereof taken at a different orientation;

FIG. 3 is a top plan view thereof;

FIG. 4 is a left side elevational view thereof;

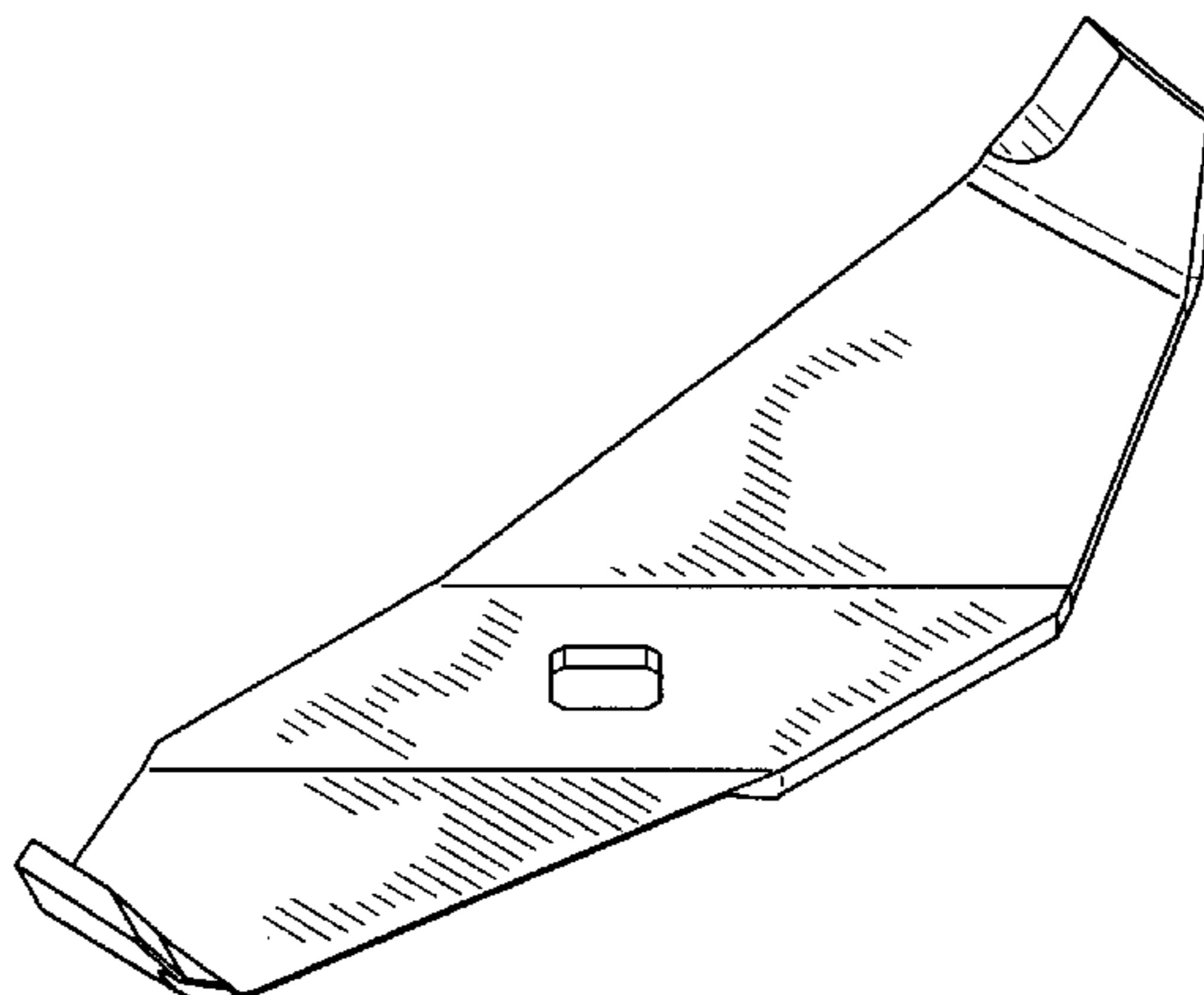
FIG. 5 is a right side elevational view thereof;

FIG. 6 is a left end elevational view thereof;

FIG. 7 is a right end elevational view thereof; and,

FIG. 8 is a bottom plan view thereof.

1 Claim, 2 Drawing Sheets



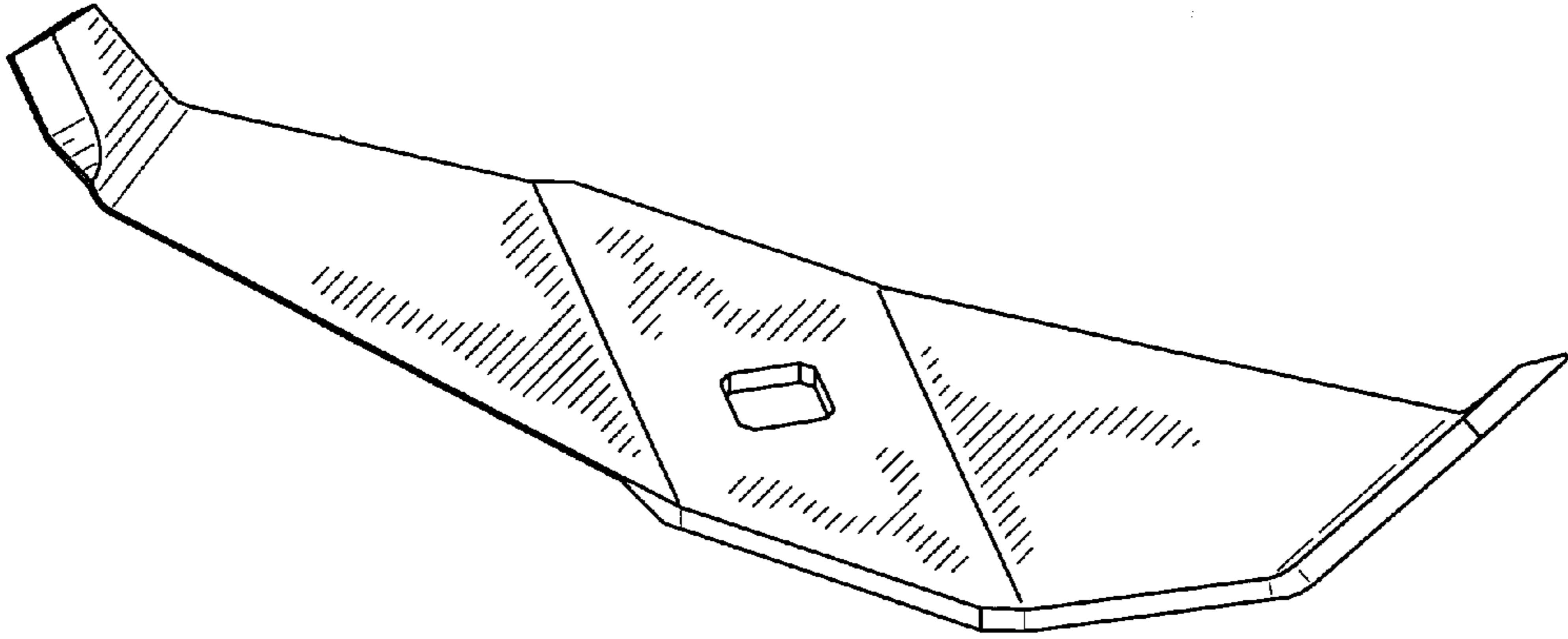


FIG-1

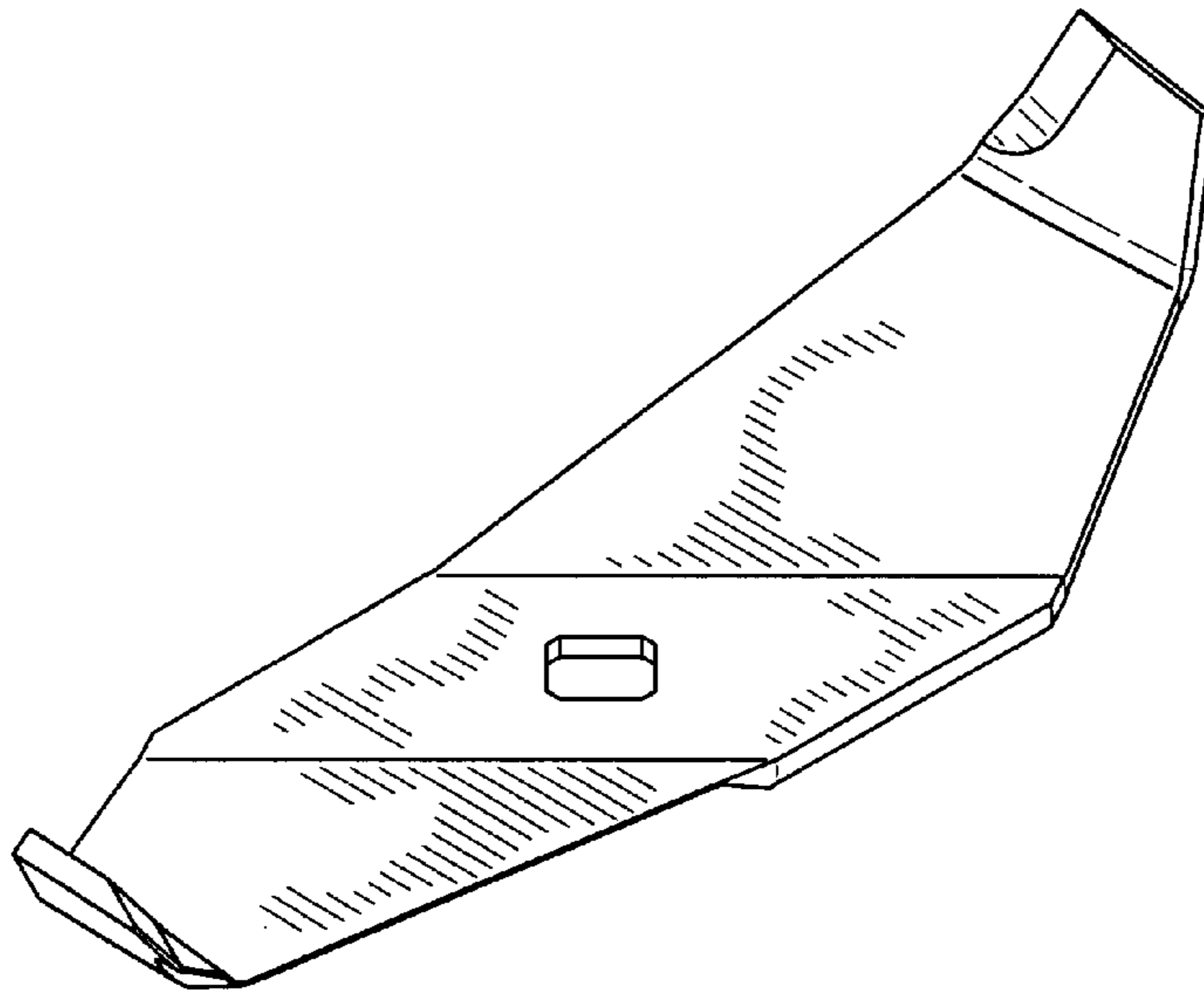


FIG-2

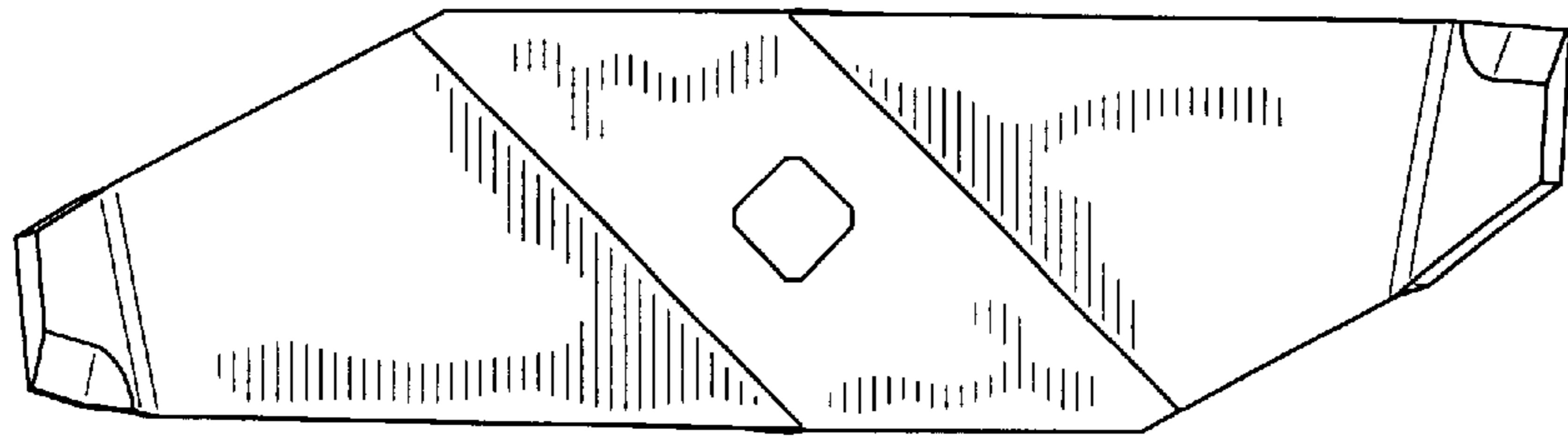


FIG-3

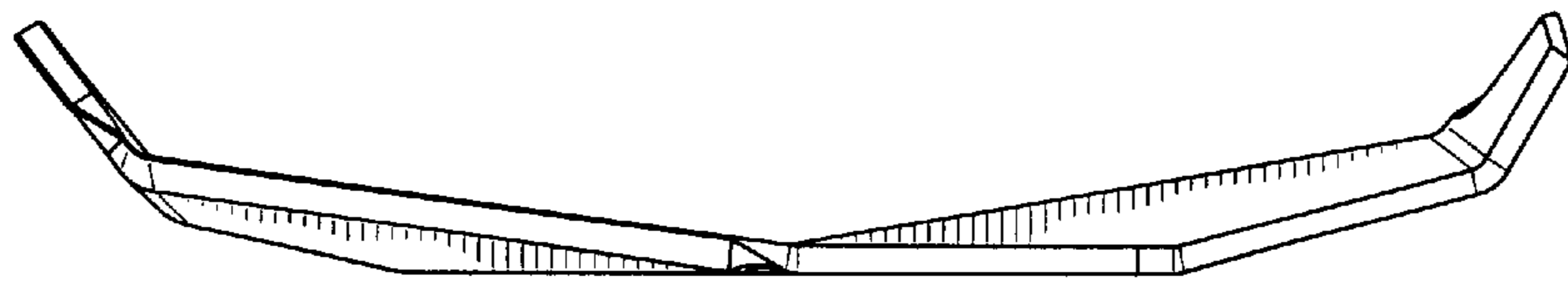


FIG-4

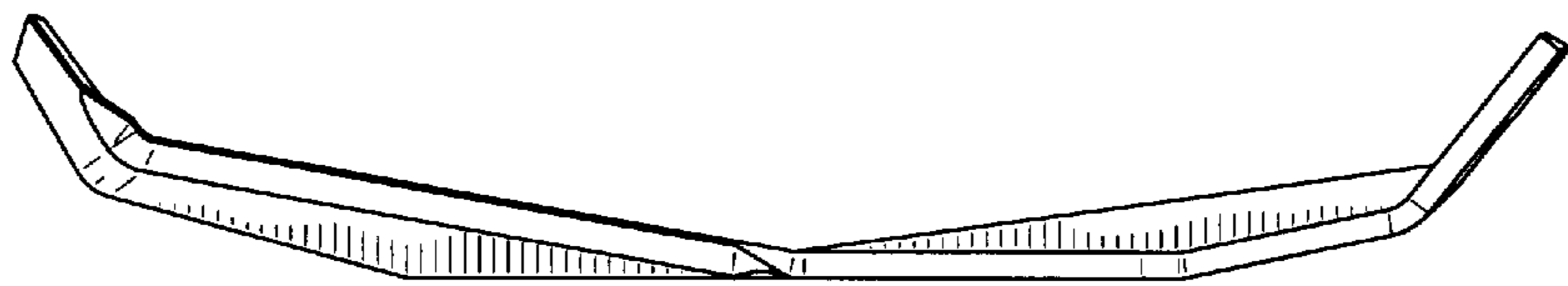


FIG-5

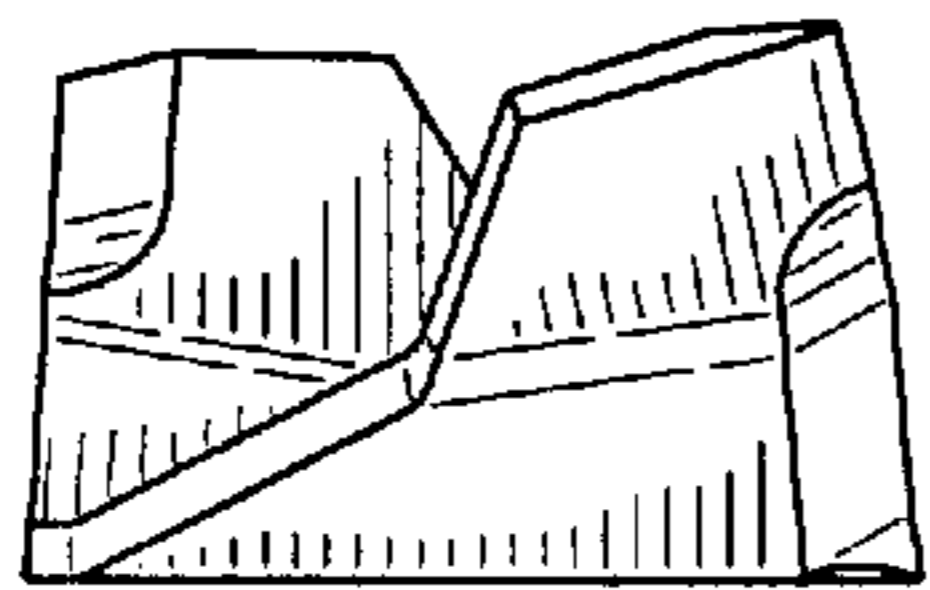


FIG-6

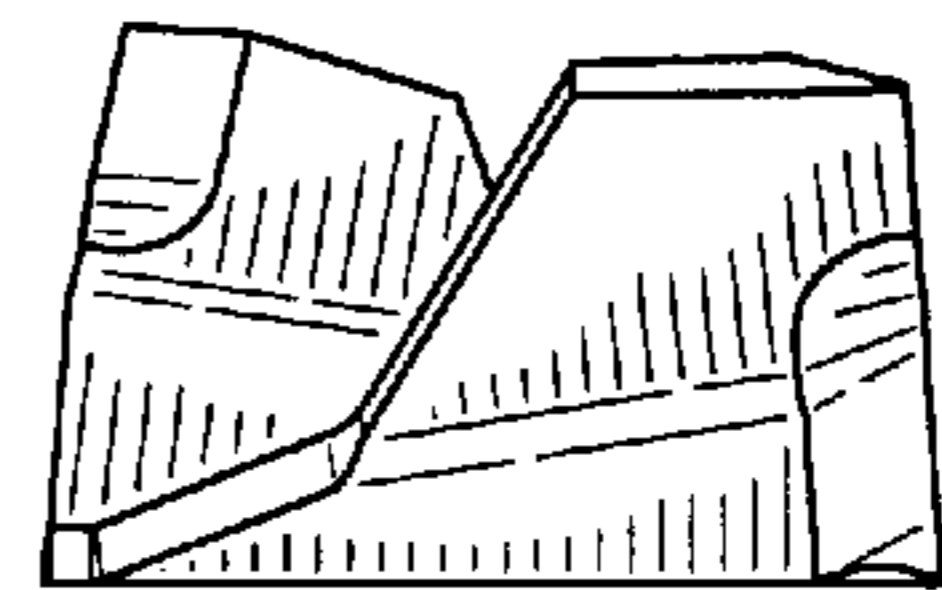


FIG-7

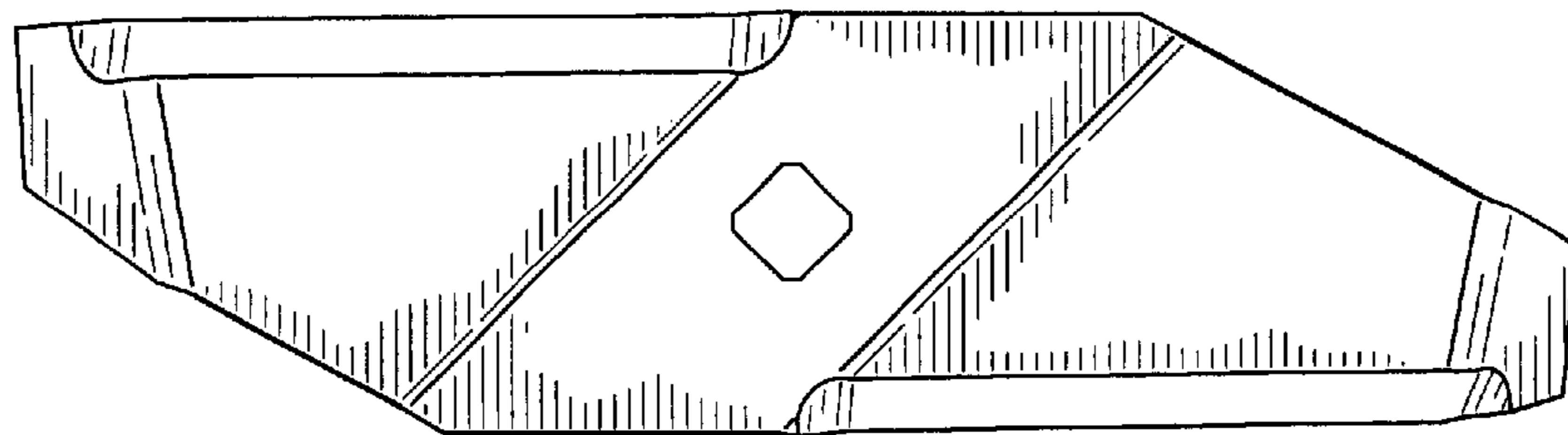


FIG-8