



US00D488344S

(12) **United States Design Patent**
Seum et al.

(10) **Patent No.:** **US D488,344 S**

(45) **Date of Patent:** **** Apr. 13, 2004**

(54) **FOOD PROCESSOR**

(75) Inventors: **Michael T. Seum**, St. Joseph, MI (US);
Philip M. Thompson, St. Joseph, MI
(US); **Jonathan M Dalton**, Portland,
OR (US); **Jamian Cobbett**, Portland,
OR (US); **Aaron Hayes**, Portland, OR
(US)

(73) Assignee: **Whirlpool Corporation**, Benton
Harbor, MI (US)

(**) Term: **14 Years**

(21) Appl. No.: **29/178,396**

(22) Filed: **Mar. 25, 2003**

(51) **LOC (7) Cl.** **31-00**

(52) **U.S. Cl.** **D7/384**

(58) **Field of Search** D7/376-386; 366/64-67,
366/129, 130, 197-207, 219-221, 241-254,
341, 98, 100, 279, 318, 325.3, 325.92,
325.93, 325.94, 327.2; 241/30, 33, 101.01-101.2,
274, 277, 285.1-285.3

(56) **References Cited**

U.S. PATENT DOCUMENTS

D256,087 S	*	7/1980	Minami	D7/384
D390,746 S	*	2/1998	Hippen et al.	D7/384
D410,816 S	*	6/1999	Crescenzi et al.	D7/384
D466,363 S	*	12/2002	Dalton et al.	D7/384

* cited by examiner

Primary Examiner—Caron D. Veynar

(74) *Attorney, Agent, or Firm*—John F. Colligan; Robert O.
Rice; Stephen Krefman

(57) **CLAIM**

The ornamental design for a food processor, as shown and
described.

DESCRIPTION

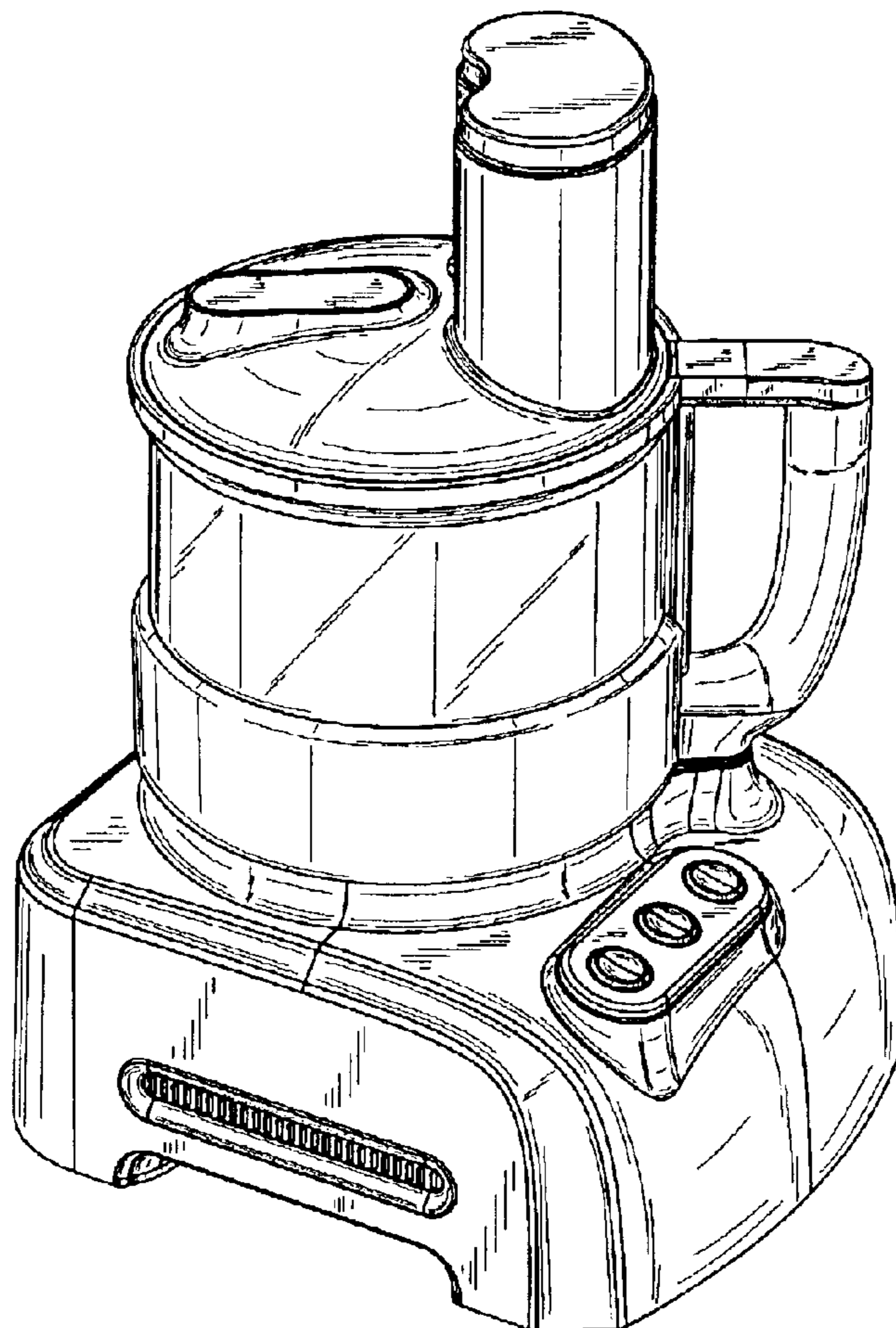
FIG. 1 is a front perspective view of the food processor
showing the new design;

FIG. 2 is a front elevational view thereof;

FIG. 3 is a right side elevational view thereof; and,

FIG. 4 is a top plan view thereof.

1 Claim, 4 Drawing Sheets



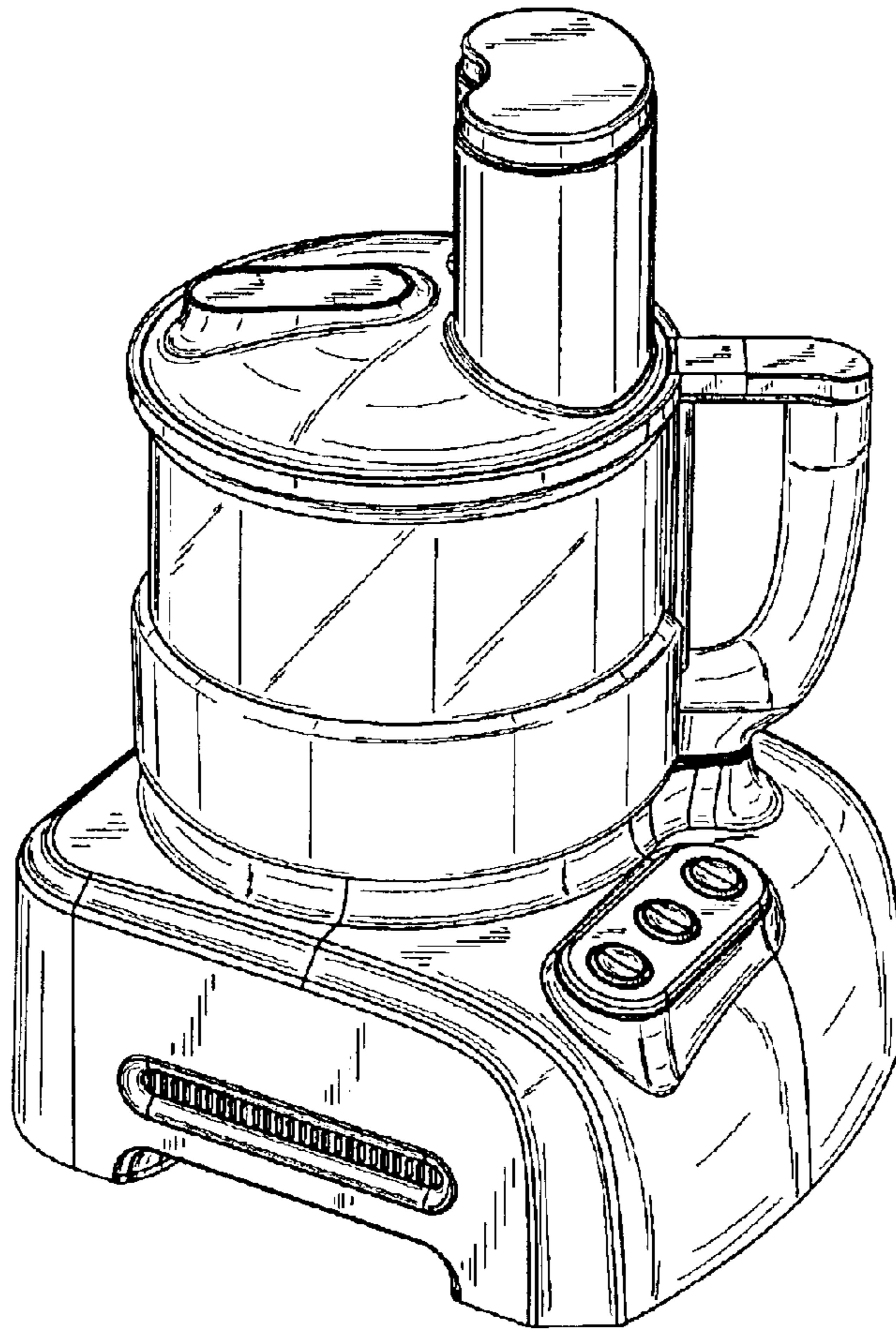


Fig. 1

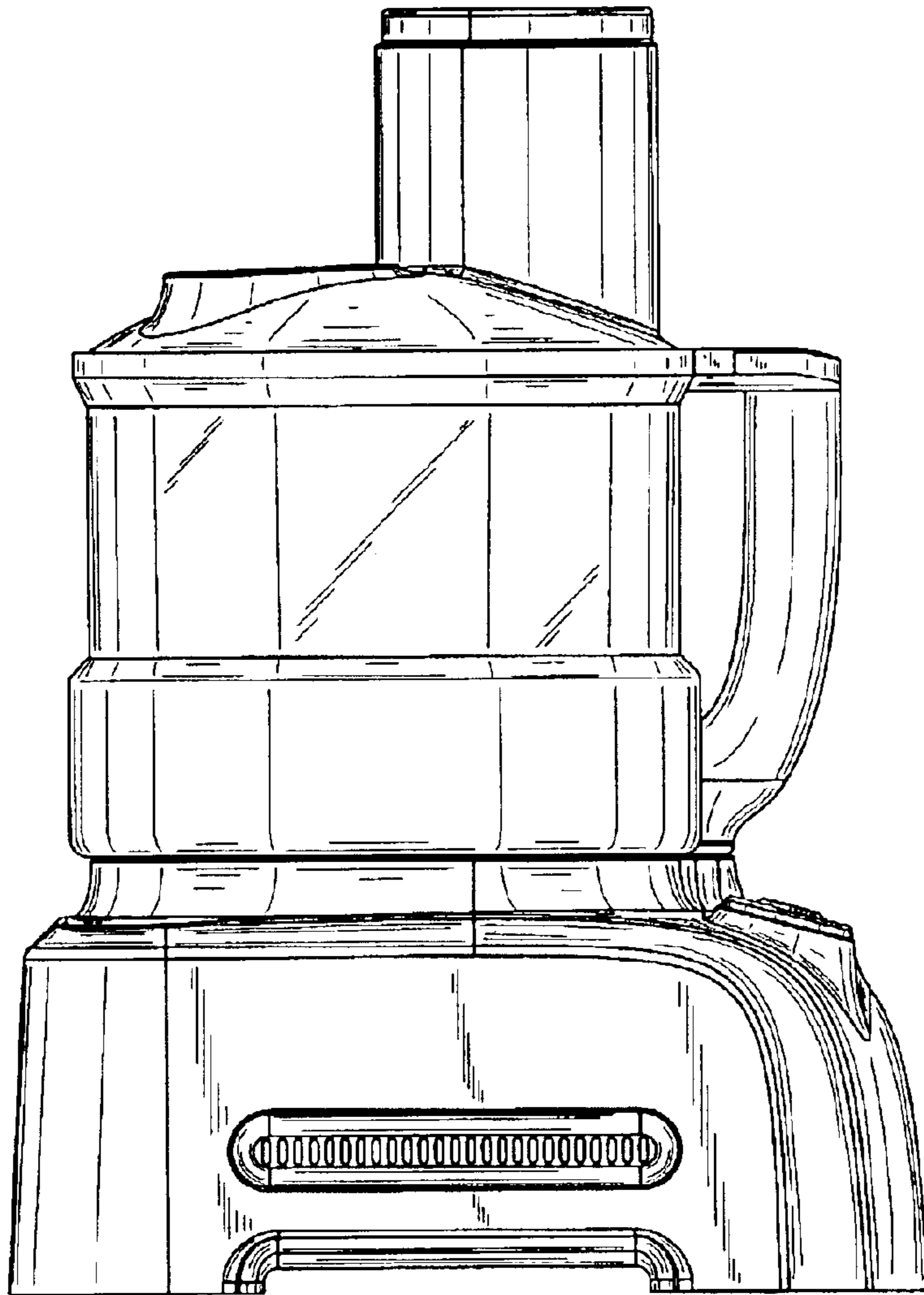


Fig. 2

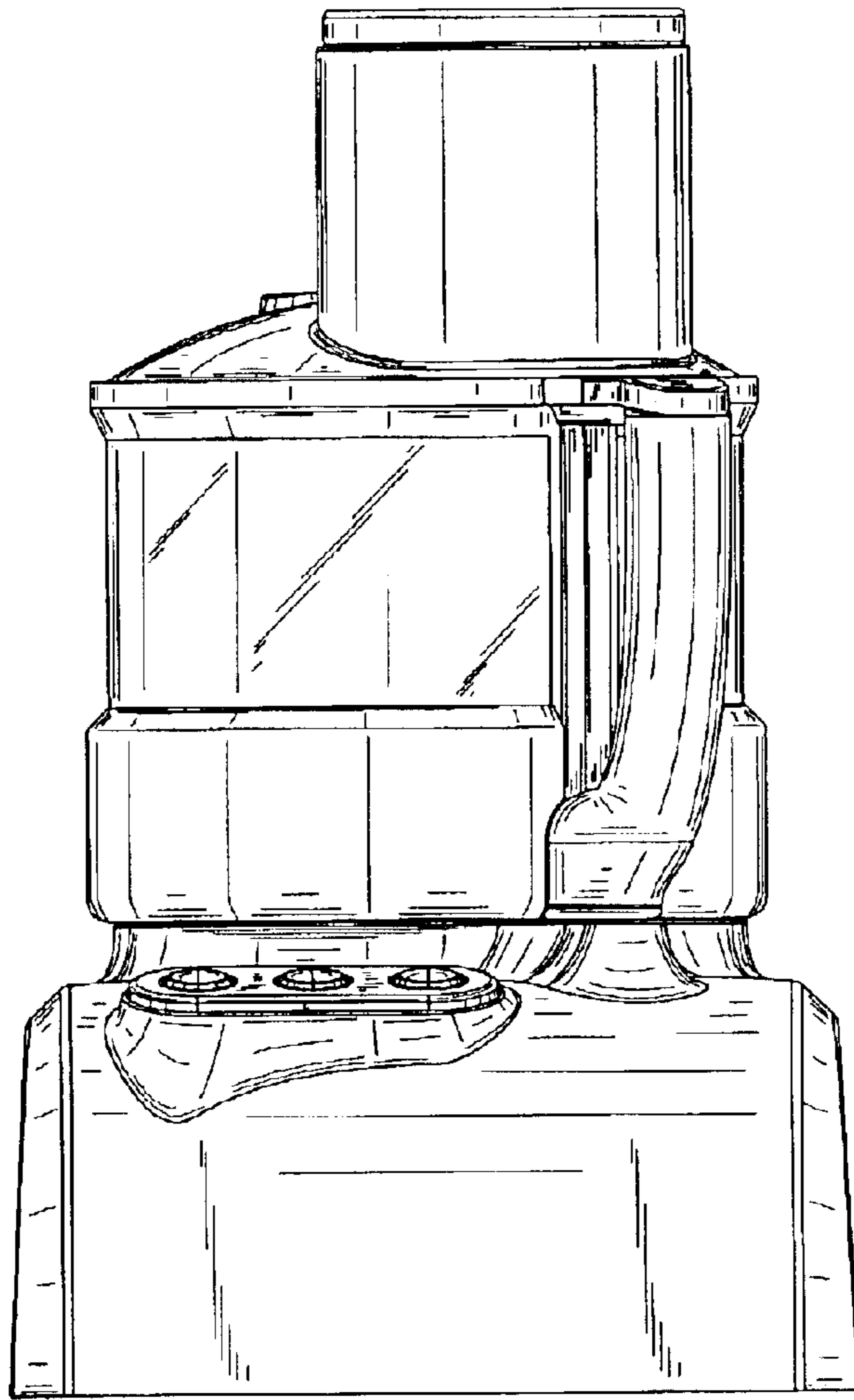


Fig. 3

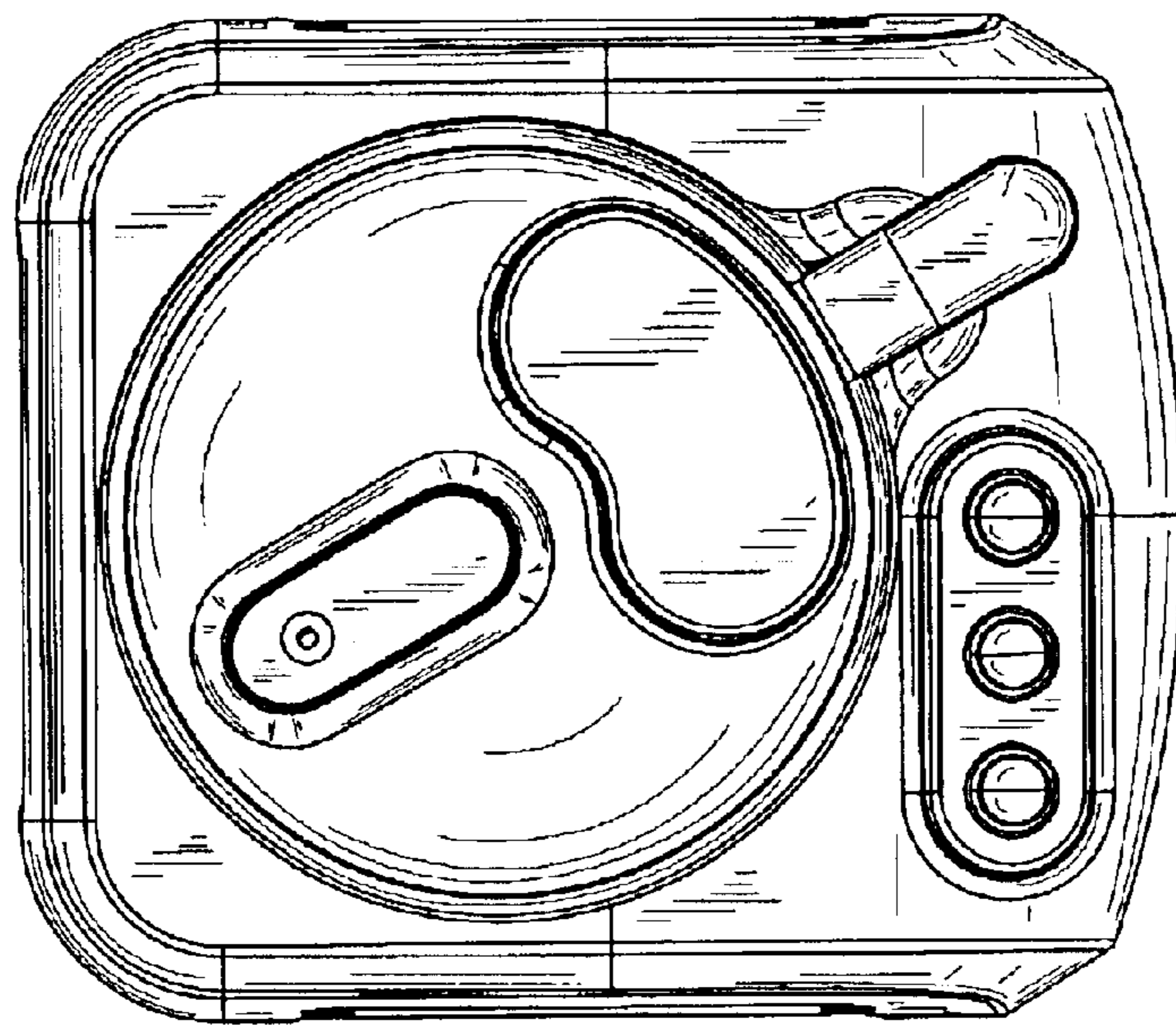


Fig. 4