



US00D488343S

(12) **United States Design Patent**
Tse

(10) **Patent No.:** **US D488,343 S**

(45) **Date of Patent:** **** Apr. 13, 2004**

(54) **CHAFING DISH**

(75) Inventor: **Shu Tse, Kowloon (CN)**

(73) Assignee: **Chekiang Metalware Factory Company Limited, Kowloon (HK)**

(**) Term: **14 Years**

(21) Appl. No.: **29/178,267**

(22) Filed: **Mar. 24, 2003**

(30) **Foreign Application Priority Data**

Nov. 12, 2002 (HK) 0211853

(51) **LOC (7) Cl.** **07-02**

(52) **U.S. Cl.** **D7/355**

(58) **Field of Search** D7/323, 354-361, D7/365-367; 99/324, 339, 340, 357; 219/620-622, 429-438, 451.1; 220/573.1-574, 252; 248/147

(56) **References Cited**

U.S. PATENT DOCUMENTS

D369,507 S * 5/1996 Tinius D7/355

D423,278 S * 4/2000 Briner D7/355
D433,272 S * 11/2000 Park D7/355

* cited by examiner

Primary Examiner—Caron D. Veynar

(74) *Attorney, Agent, or Firm*—Alix, Yale & Ristas, LLP

(57) **CLAIM**

The ornamental design for a chafing dish, as shown and described.

DESCRIPTION

FIG. 1 is a rear perspective view of a chafing dish showing my new design;

FIG. 2 is a front elevational view thereof;

FIG. 3 is a rear elevational view thereof;

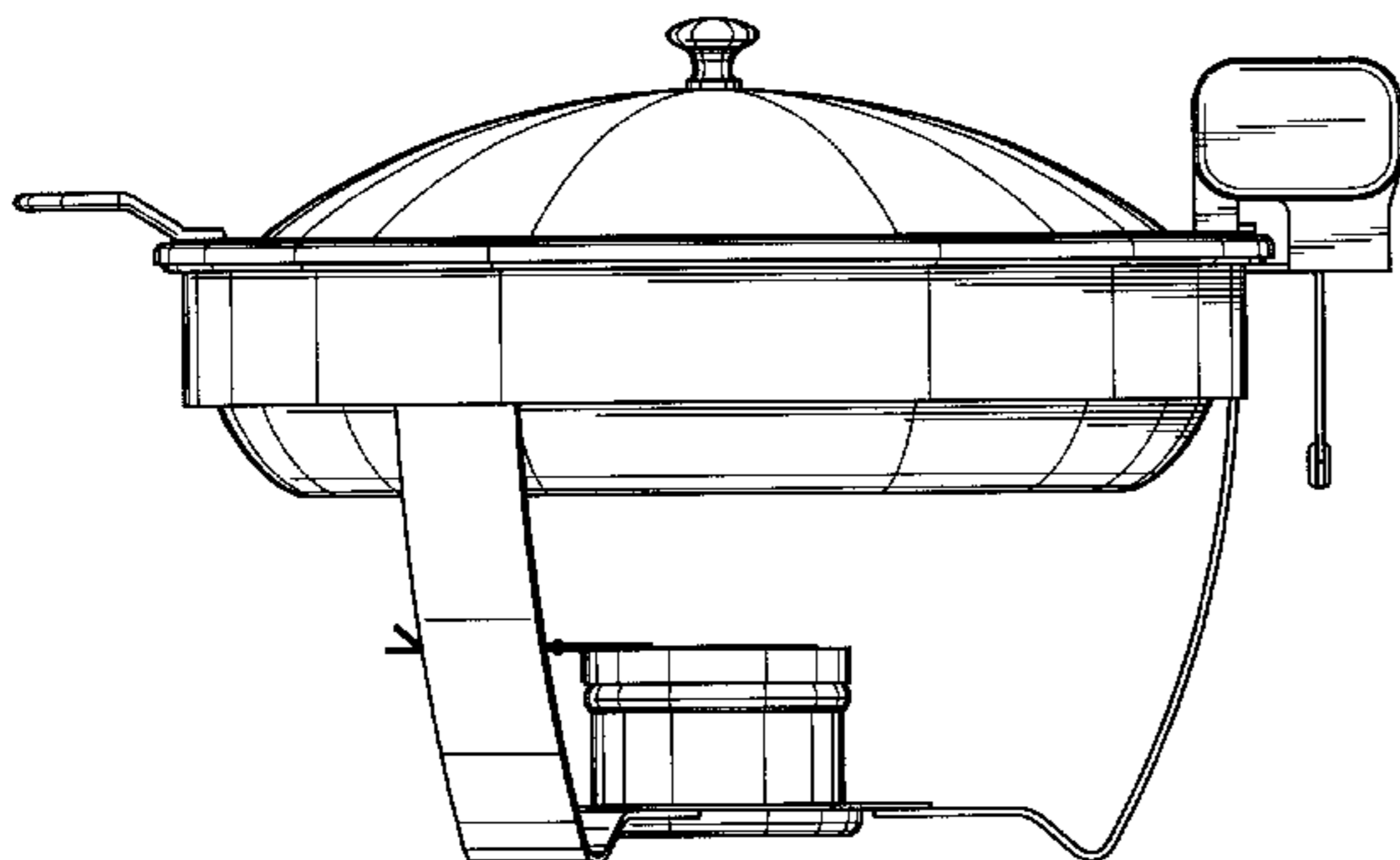
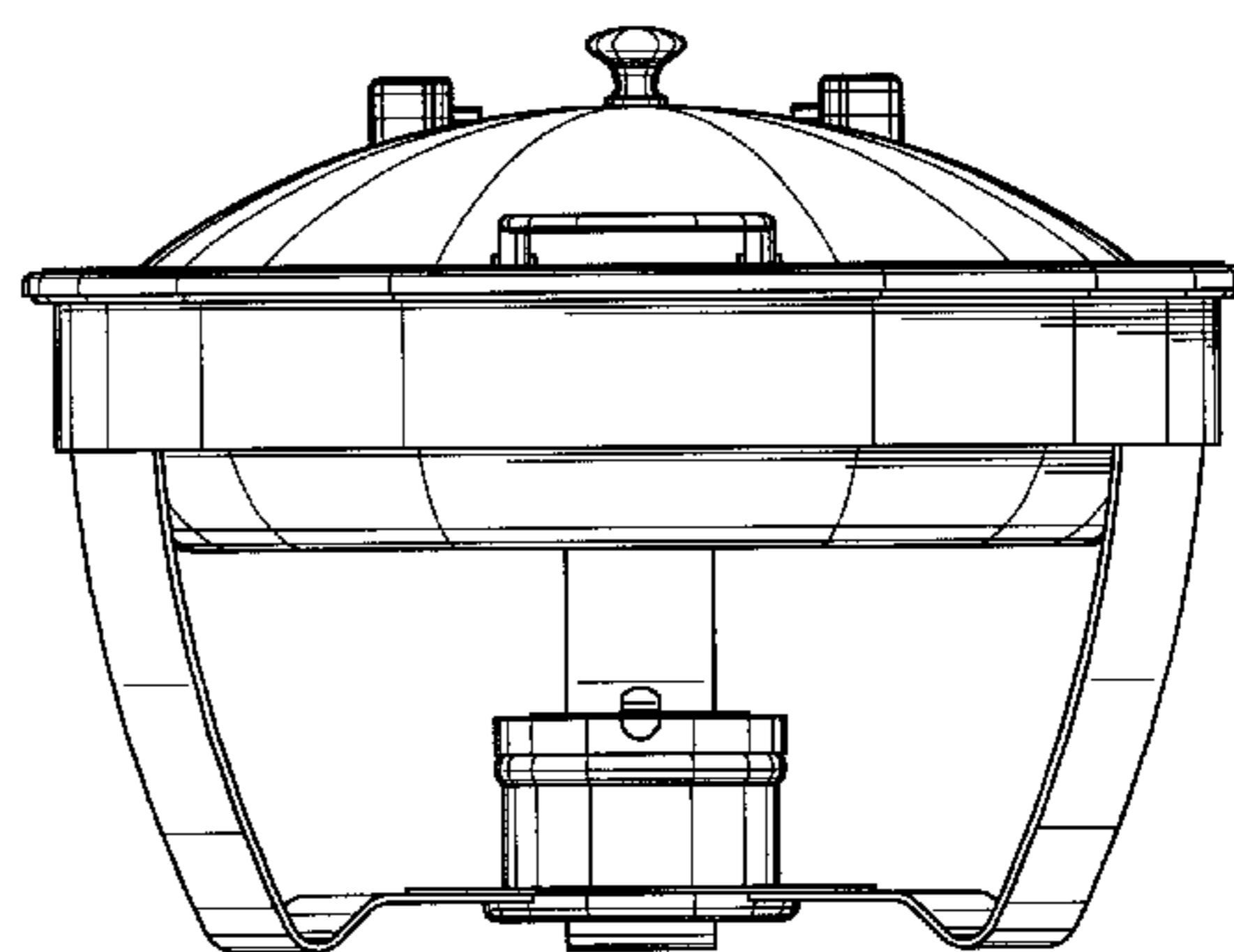
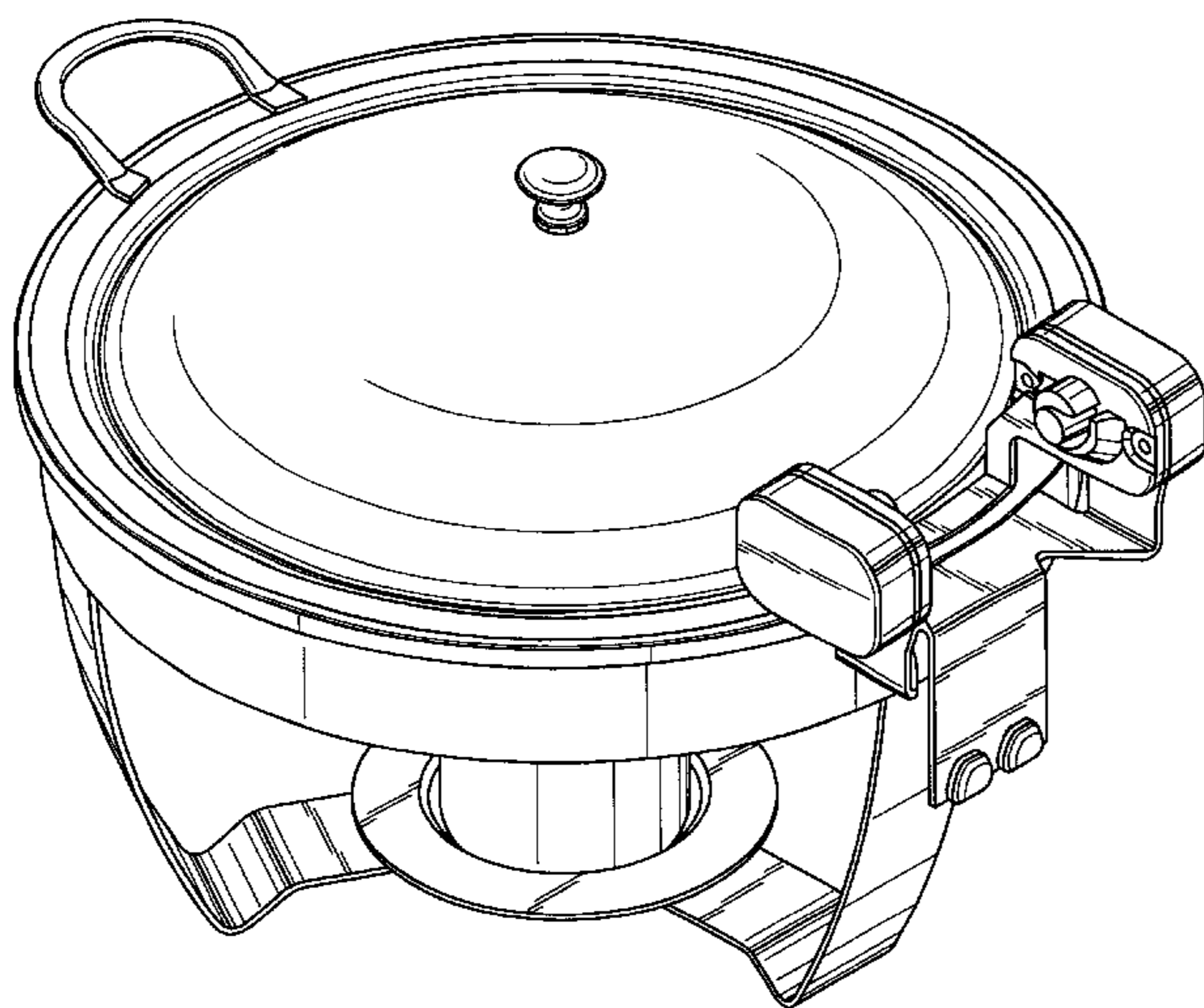
FIG. 4 is a top plan view thereof;

FIG. 5 is a bottom plan view thereof;

FIG. 6 is a right side elevational view thereof, the left side elevational view thereof being identical; and,

FIG. 7 is a right side elevational view thereof wherein the lid is in an open position.

1 Claim, 6 Drawing Sheets



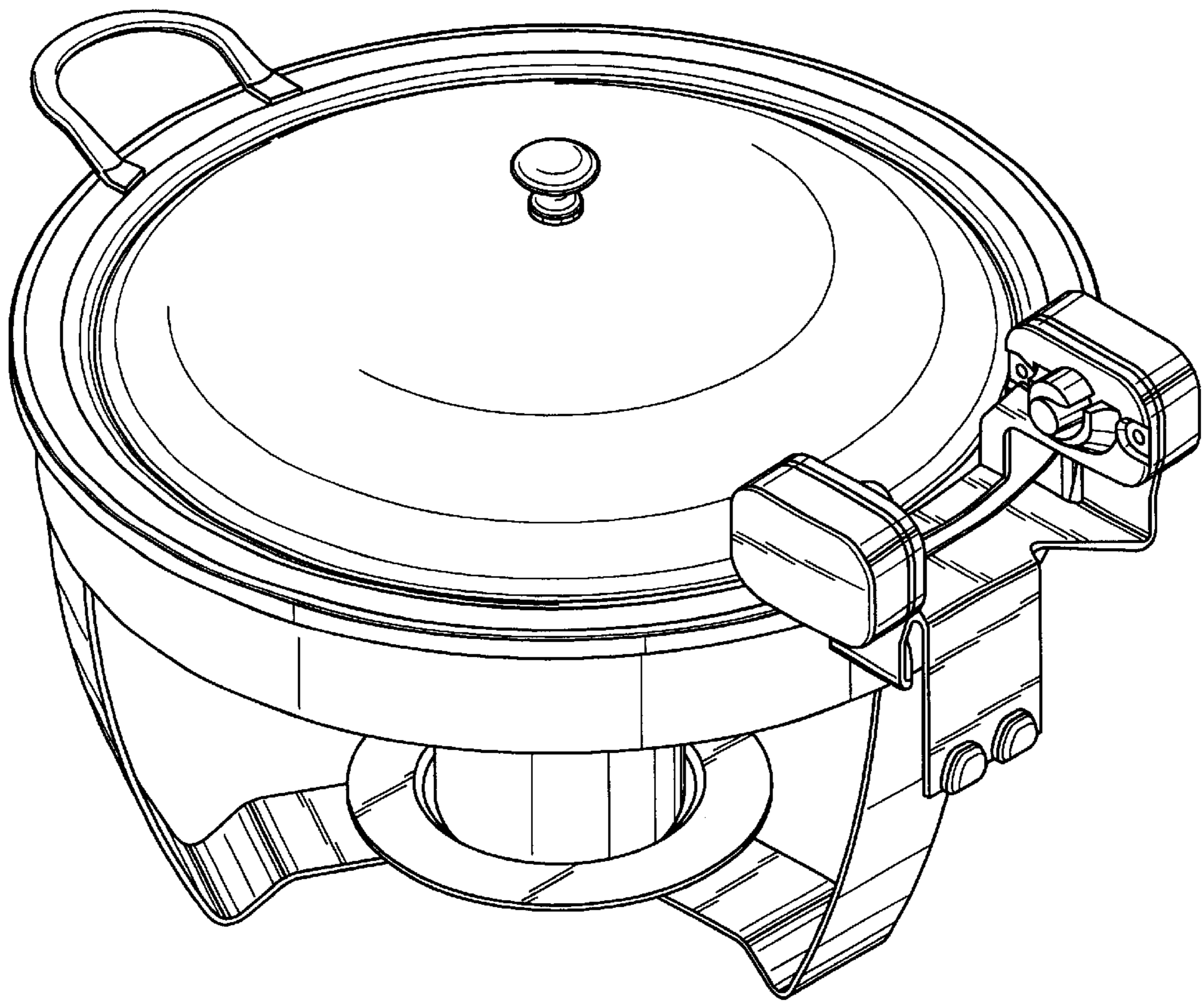


FIG. 1

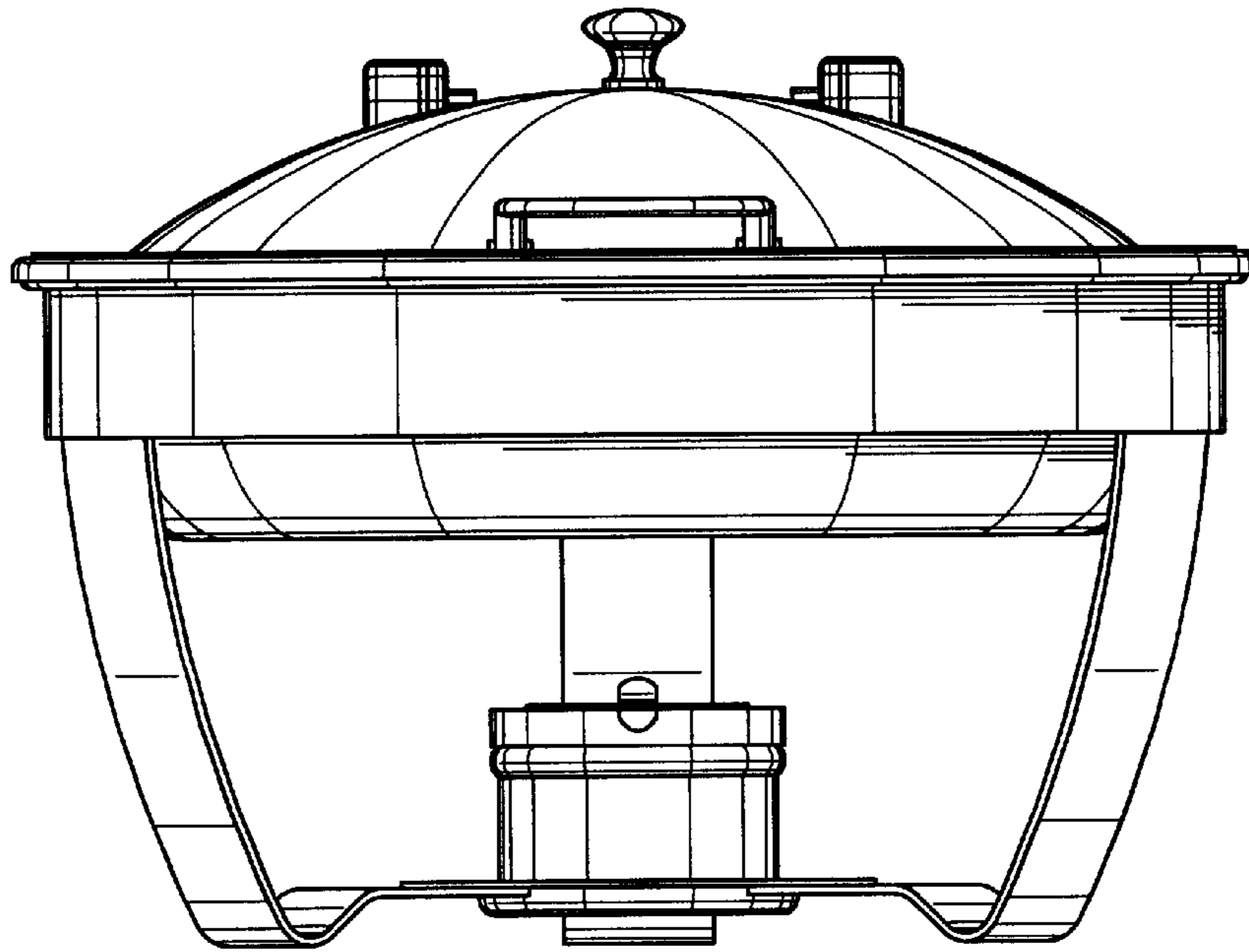


FIG. 2

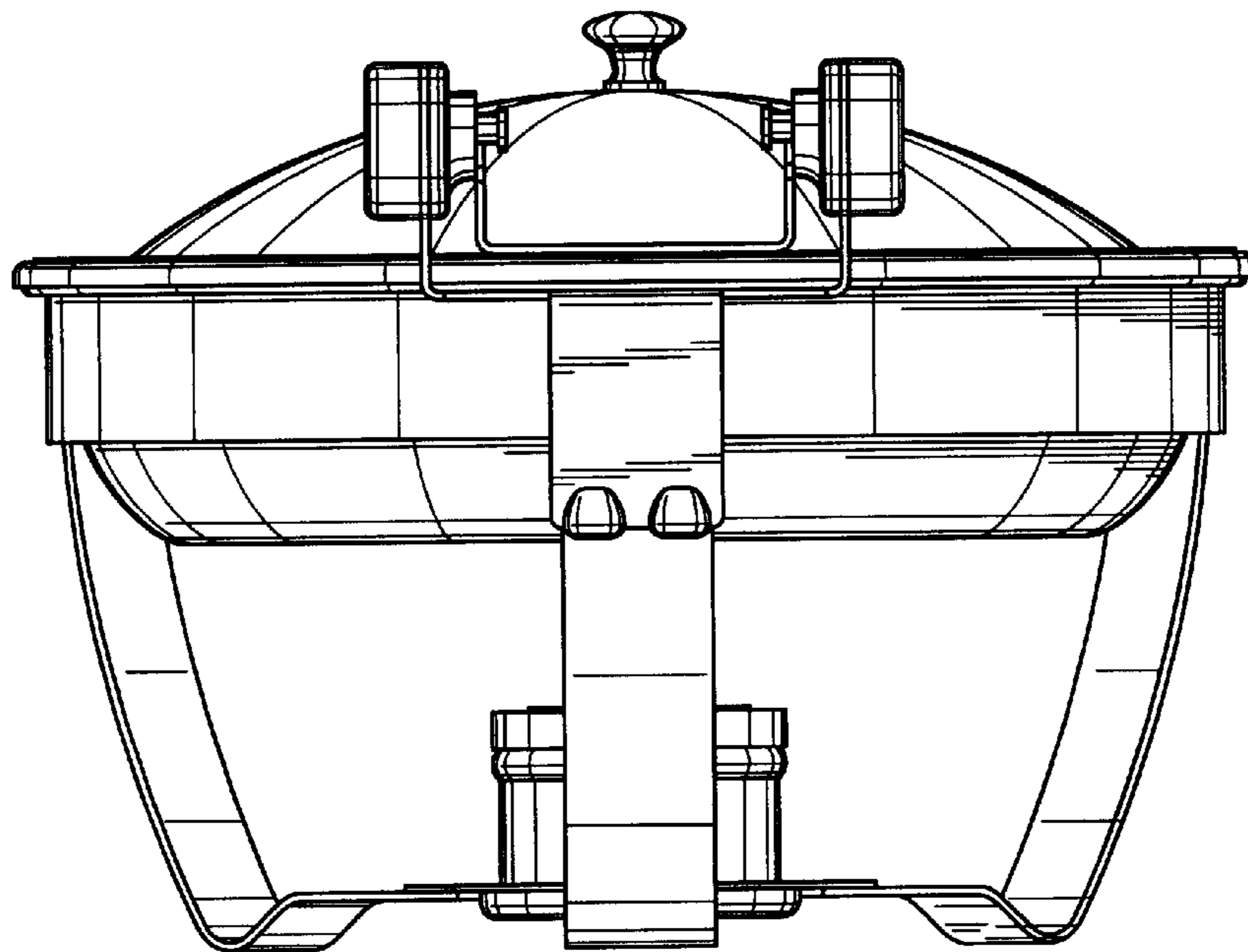


FIG. 3

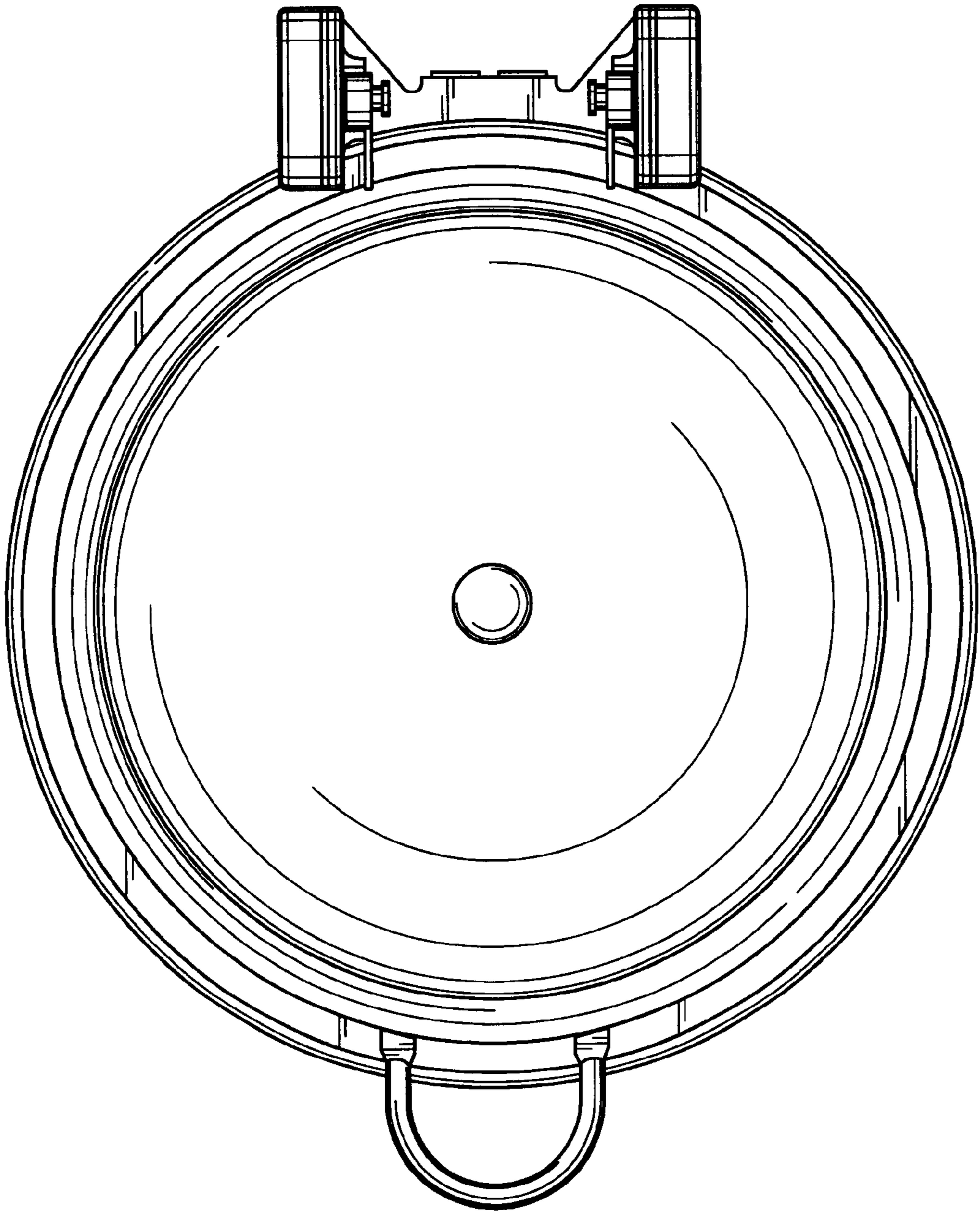


FIG. 4

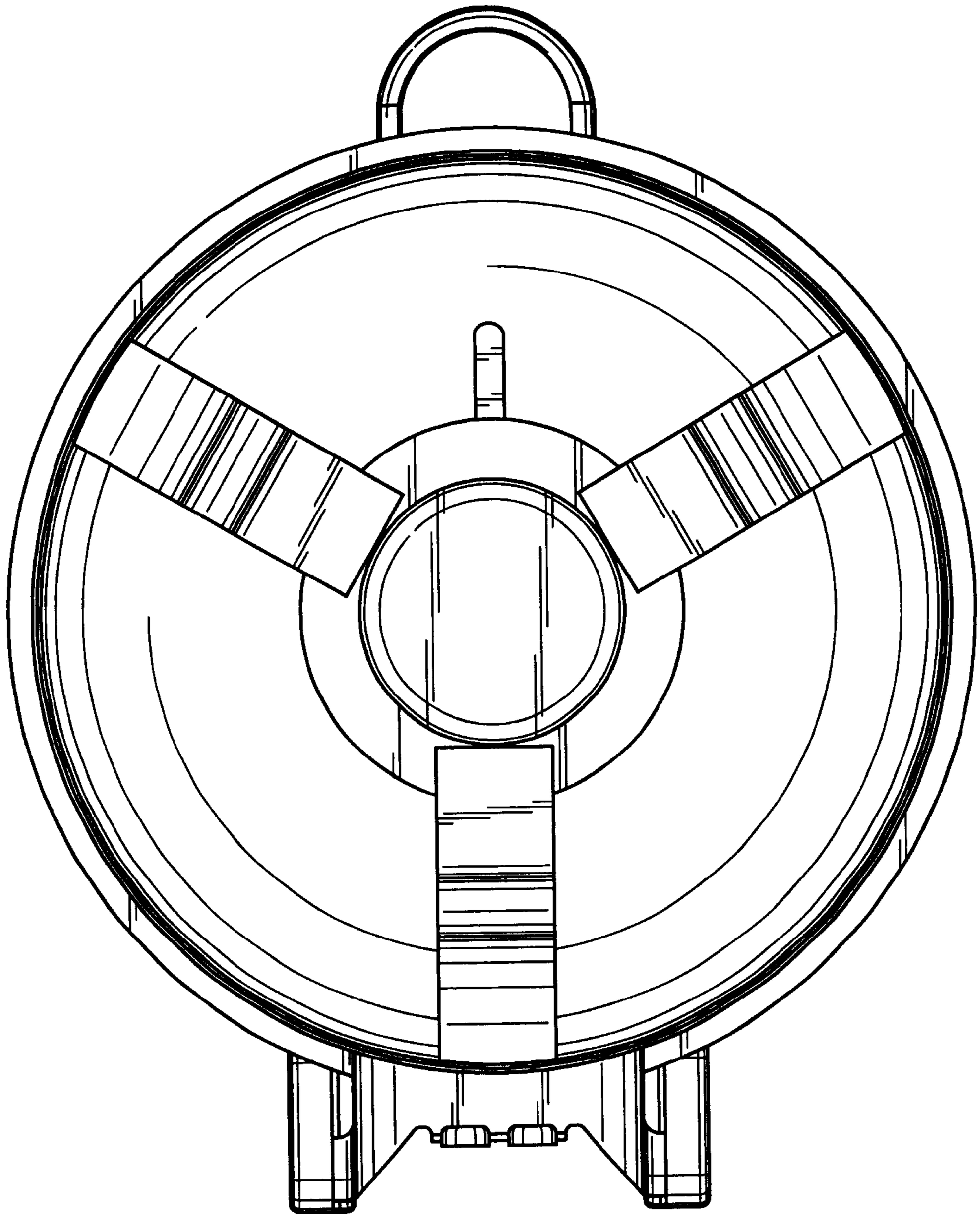


FIG. 5

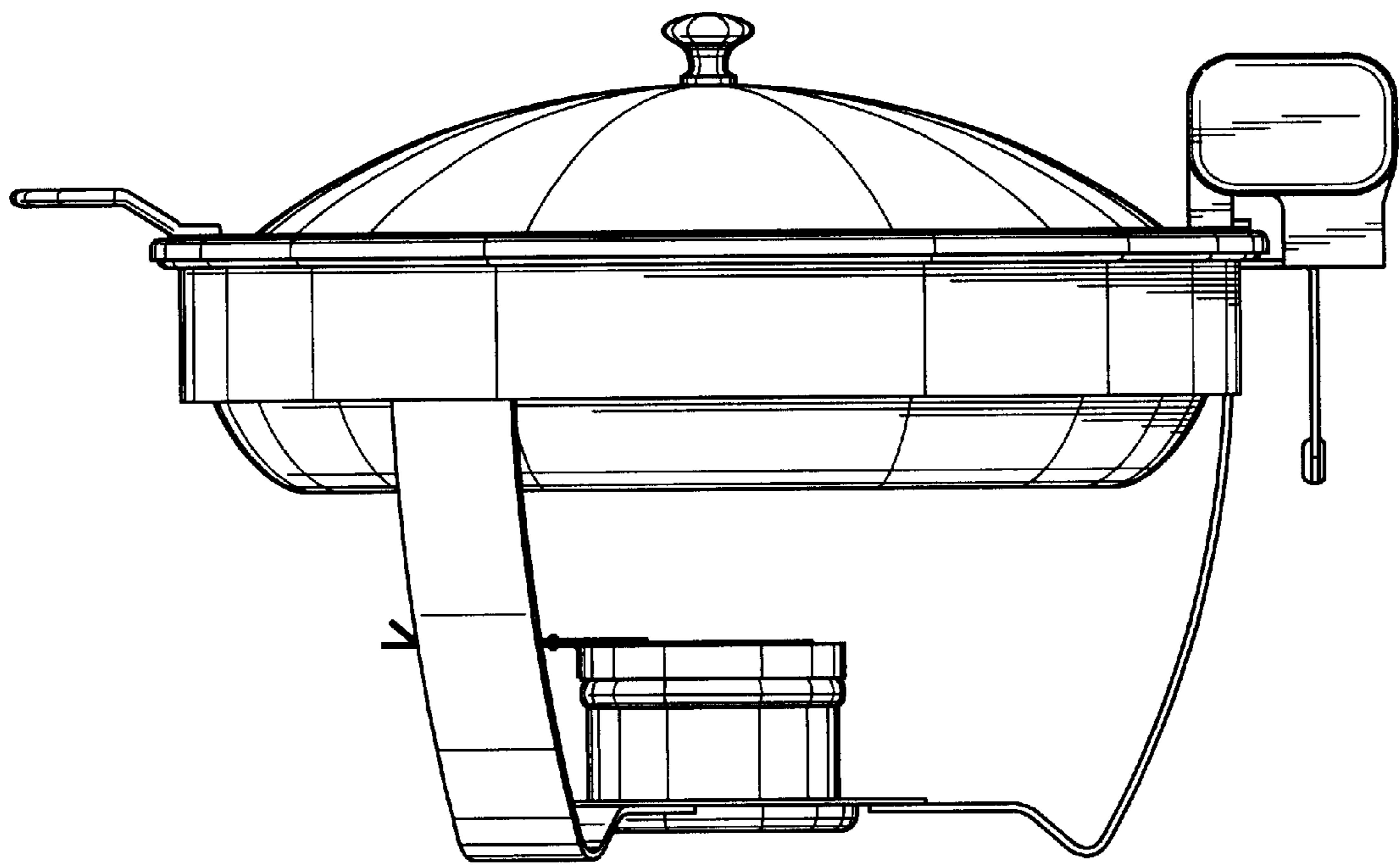


FIG. 6

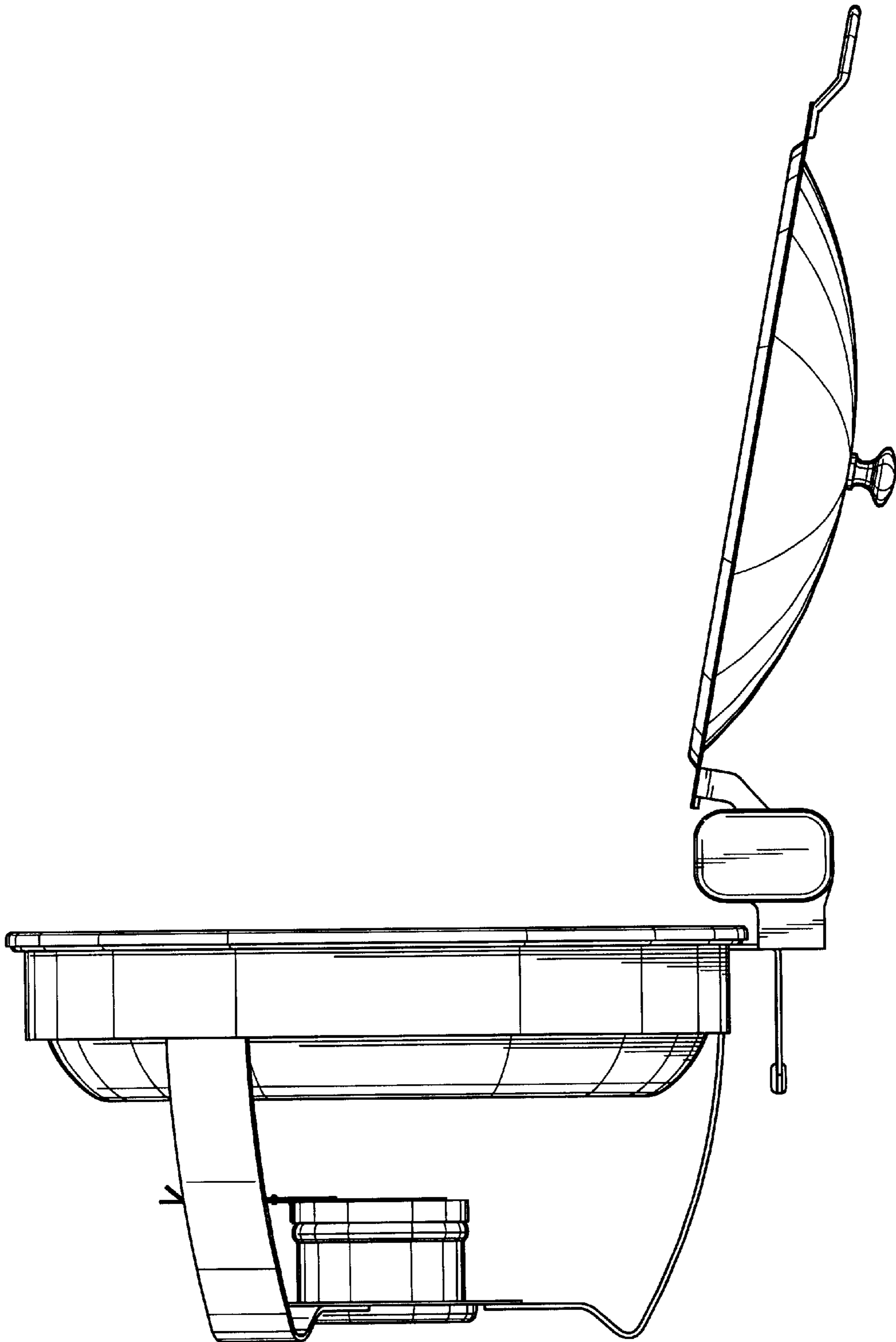


FIG. 7