



US00D488341S

(12) **United States Design Patent**
Enriquez et al.

(10) **Patent No.:** **US D488,341 S**

(45) **Date of Patent:** **** Apr. 13, 2004**

(54) **TOASTER**

(75) Inventors: **Nheeda C. Enriquez**, Jersey City, NJ (US); **Devin Lee Moore**, Decatur, GA (US); **Matthew L Rivera**, Mableton, GA (US); **Jeffrey F. Miller**, New York, NY (US)

(73) Assignee: **Conair Corporation**, Stamford, CT (US)

(**) Term: **14 Years**

(21) Appl. No.: **29/179,521**

(22) Filed: **Apr. 18, 2003**

(51) **LOC (7) Cl.** **07-02**

(52) **U.S. Cl.** **D7/330**

(58) **Field of Search** D7/328-330; 99/331, 99/339, 341, 385, 389

(56) **References Cited**

U.S. PATENT DOCUMENTS

| | | | | | |
|------------|---|---------|----------------|-------|--------|
| D125,684 S | * | 3/1941 | Edelman | | D7/330 |
| D193,599 S | | 9/1962 | Fano | | D7/330 |
| D345,074 S | | 3/1994 | Myers et al. | | D7/330 |
| D394,983 S | | 6/1998 | Garrett et al. | | D7/330 |
| D413,224 S | | 8/1999 | Cruz et al. | | D7/330 |
| D416,753 S | | 11/1999 | Brady | | D7/390 |

| | | | | |
|--------------|----------|------------------|-------|--------|
| D418,003 S | 12/1999 | Alonge et al. | | D7/330 |
| D422,832 S | 4/2000 | Gaynor et al. | | D7/330 |
| 6,205,910 B1 | 3/2001 | Vaughn | | 99/326 |
| D453,281 S | 2/2002 | Plumtre et al. | | D7/330 |
| D459,140 S | 6/2002 | Bellerose et al. | | D7/328 |
| D473,093 S | * 4/2003 | To | | D7/330 |

* cited by examiner

Primary Examiner—Caron D. Veynar

(74) *Attorney, Agent, or Firm*—Ohlandt, Greeley, Ruggiero & Perle, LLP

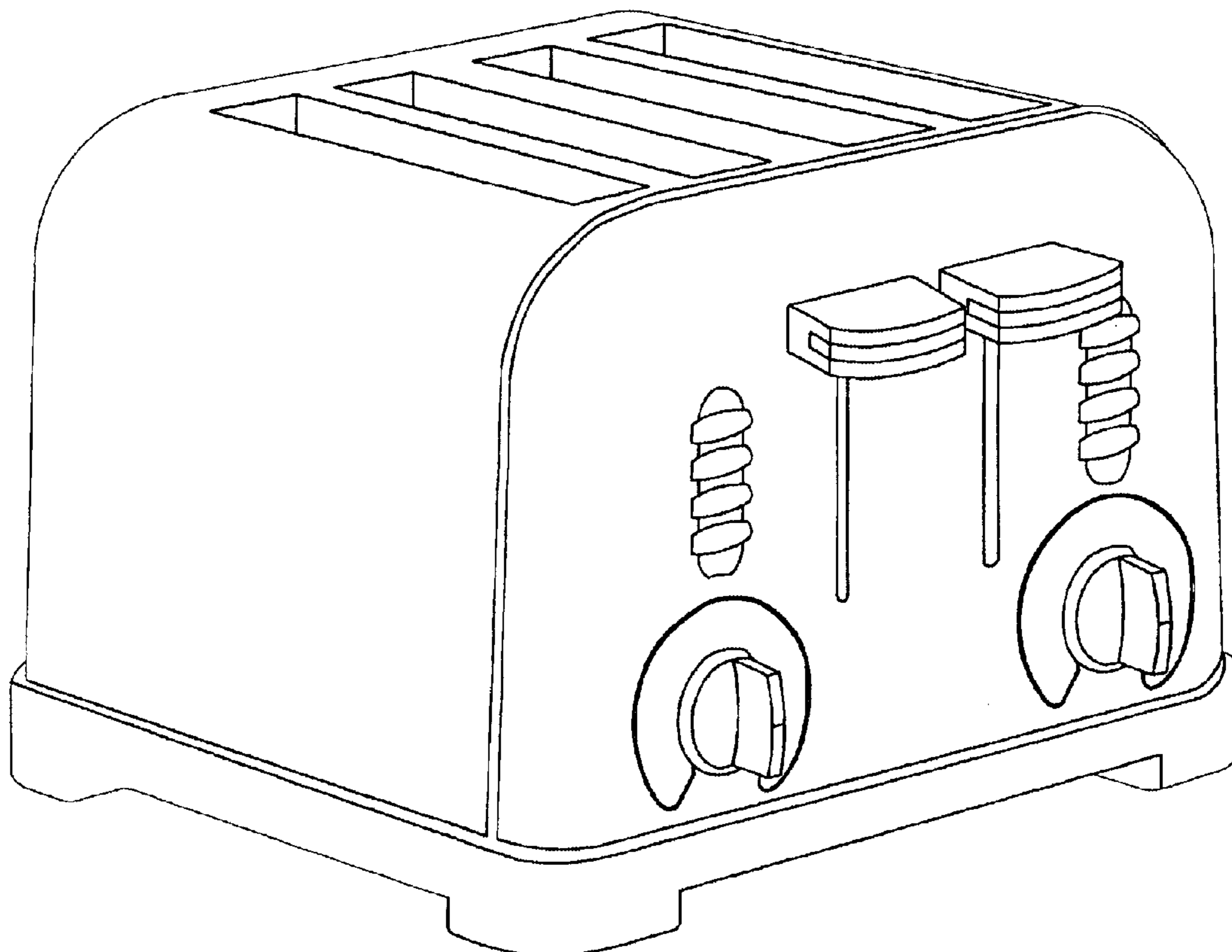
(57) **CLAIM**

The ornamental design for a toaster, as shown and described.

DESCRIPTION

FIG. 1 is a perspective view of a toaster according to the present invention;
 FIG. 2 is a front view of the toaster of FIG. 1;
 FIG. 3 is a rear view of the toaster of FIG. 1;
 FIG. 4 is a first side view of the toaster of FIG. 1;
 FIG. 5 is a second side view, opposite the first side view, of the toaster of FIG. 1; and,
 FIG. 6 is a top view of the toaster of FIG. 1.
 The broken lines showing slots of FIGS. 1 and 6 are for illustrative purposes only and form no part of the claimed design.

1 Claim, 6 Drawing Sheets



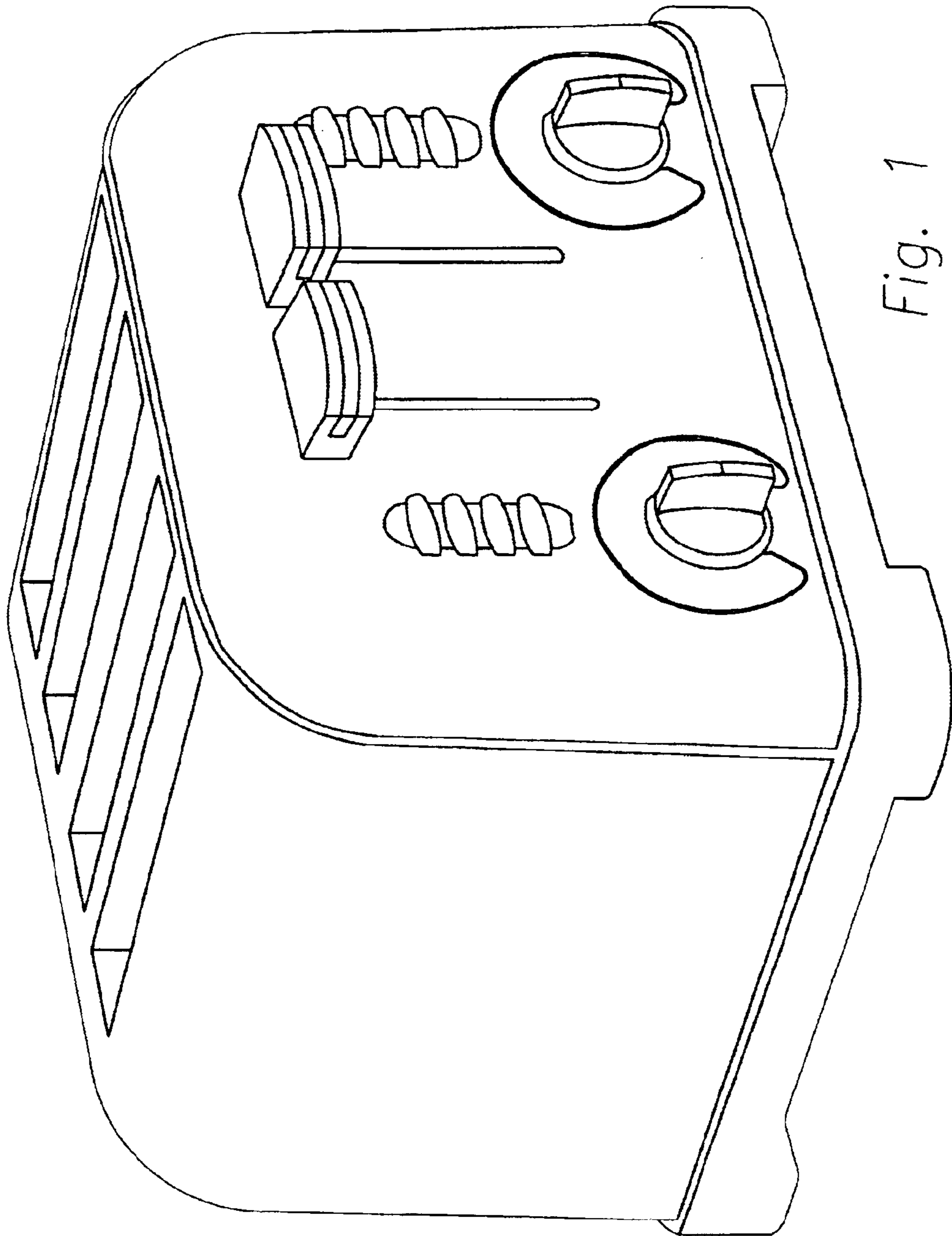


Fig. 1

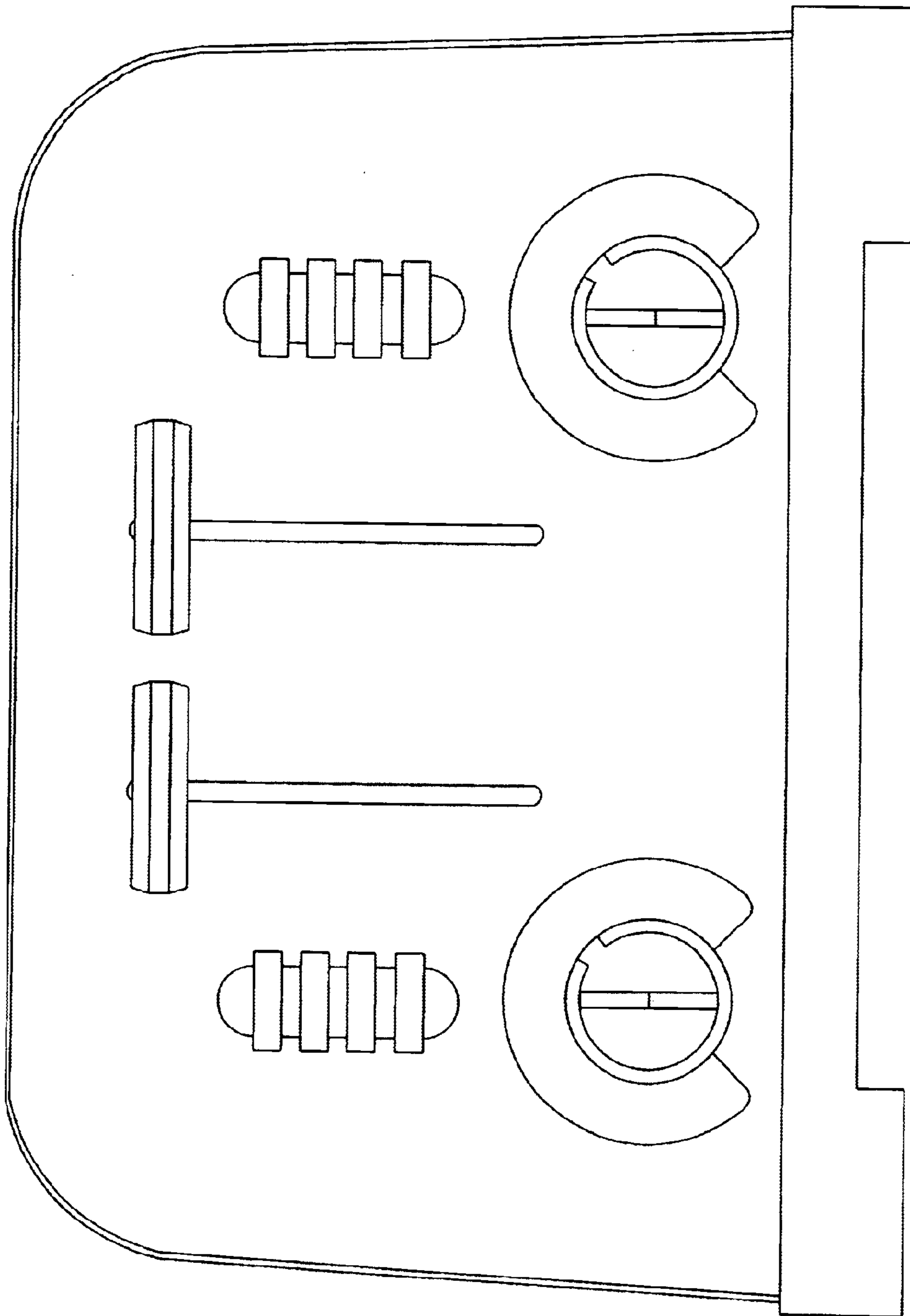


Fig. 2

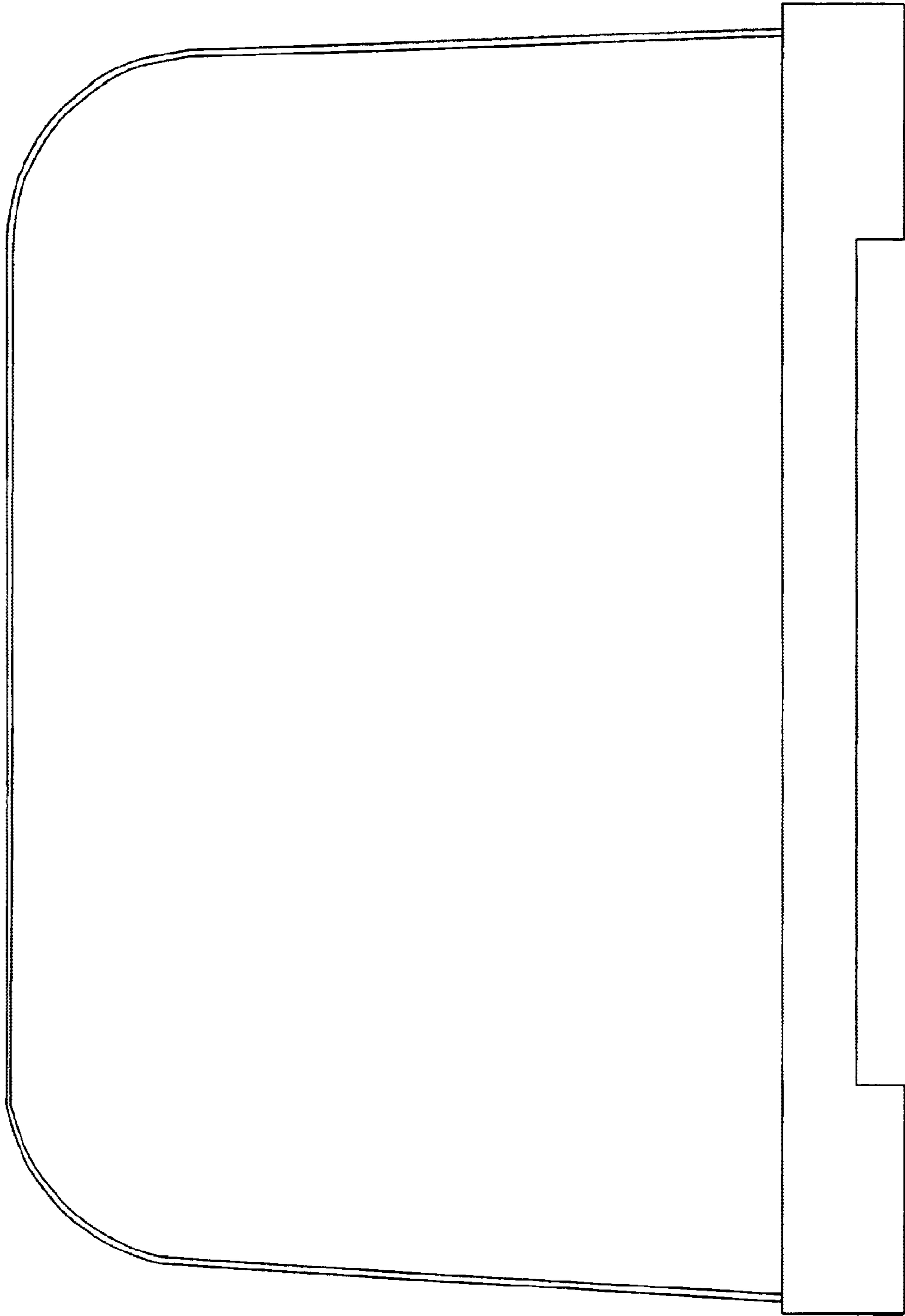


Fig. 3

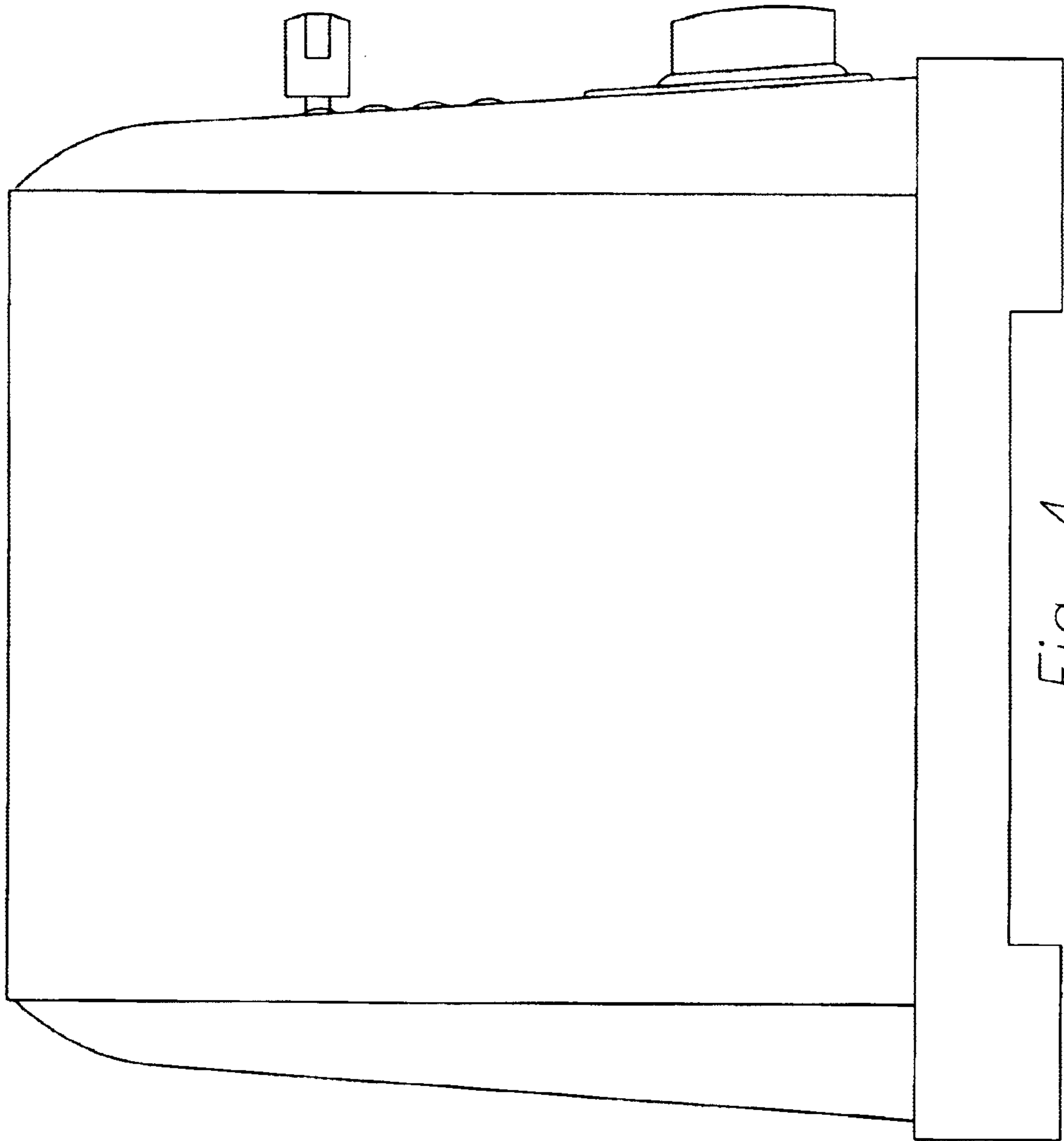


Fig. 4

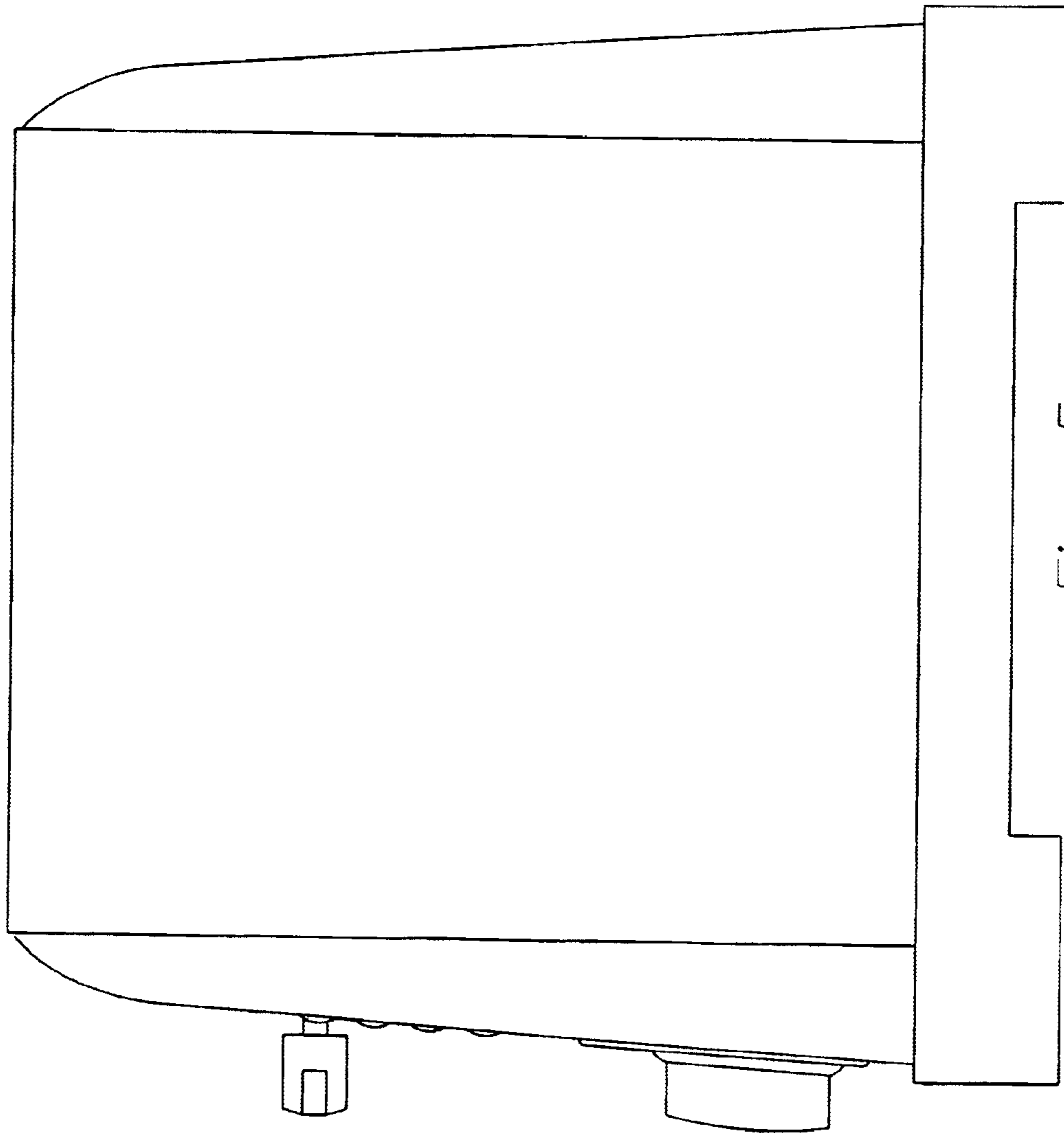


Fig. 5

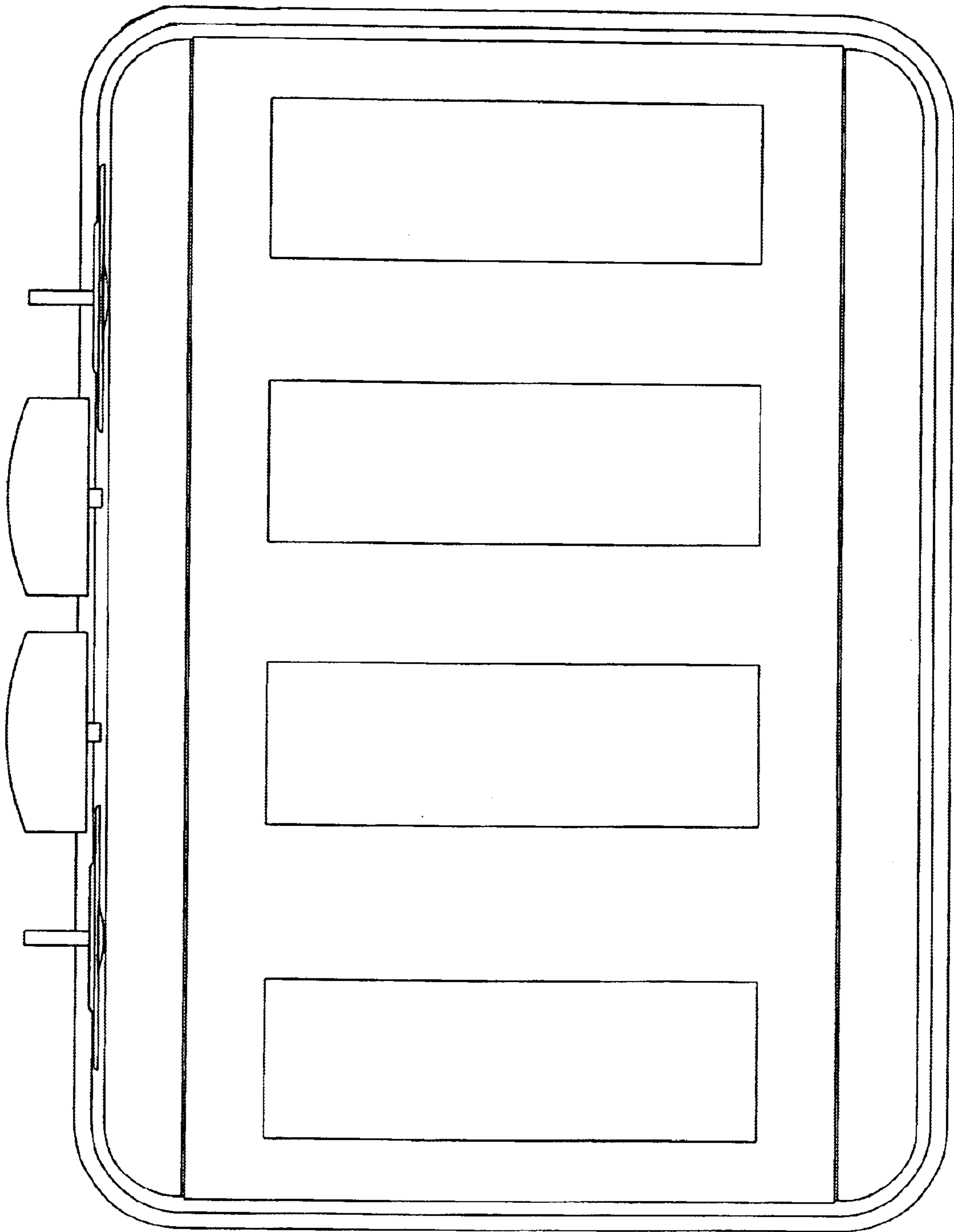


Fig. 6