



US00D488336S

(12) **United States Design Patent**  
**Kerr**

(10) **Patent No.:** **US D488,336 S**

(45) **Date of Patent:** **\*\* Apr. 13, 2004**

(54) **CAR HOOD TABLE TOP**

(76) Inventor: **Jamie Kerr**, 5307 Cumberland Street,  
Montréal, Quebec (CA), H3V 2P1

(\*\*) Term: **14 Years**

(21) Appl. No.: **29/181,054**

(22) Filed: **May 5, 2003**

(51) **LOC (7) Cl.** ..... **06-06**

(52) **U.S. Cl.** ..... **D6/511; D12/173; D6/451**

(58) **Field of Search** ..... **D6/480-489, 511,**  
**D6/450, 451; 108/150, 153.1, 155, 156,**  
**157.1, 161; D12/173; 180/69.2, 69.21**

(56) **References Cited**

**U.S. PATENT DOCUMENTS**

D234,936 S	*	4/1975	George	.....	D6/451
D282,833 S	*	3/1986	Tanaka	.....	D12/173
D427,122 S	*	6/2000	Hoyle, Jr.	.....	D12/173
D459,281 S	*	6/2002	Sinkwitz	.....	D12/173
D480,339 S	*	10/2003	Boyer	.....	D12/173

\* cited by examiner

*Primary Examiner*—Janice E. Seeger  
(74) *Attorney, Agent, or Firm*—McDermid Turnbull & Associates

(57) **CLAIM**

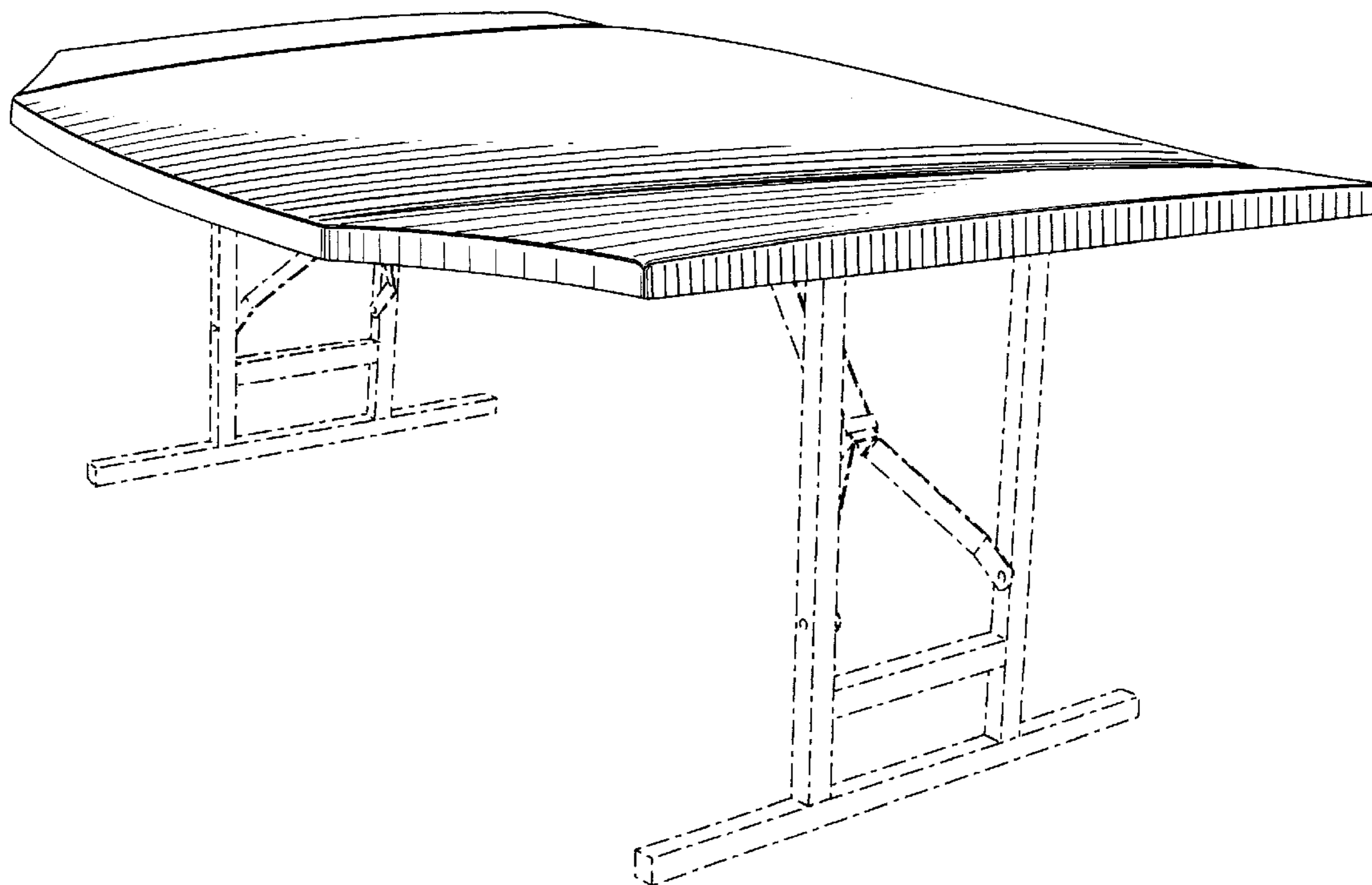
The ornamental design for a car hood table top, as shown and described.

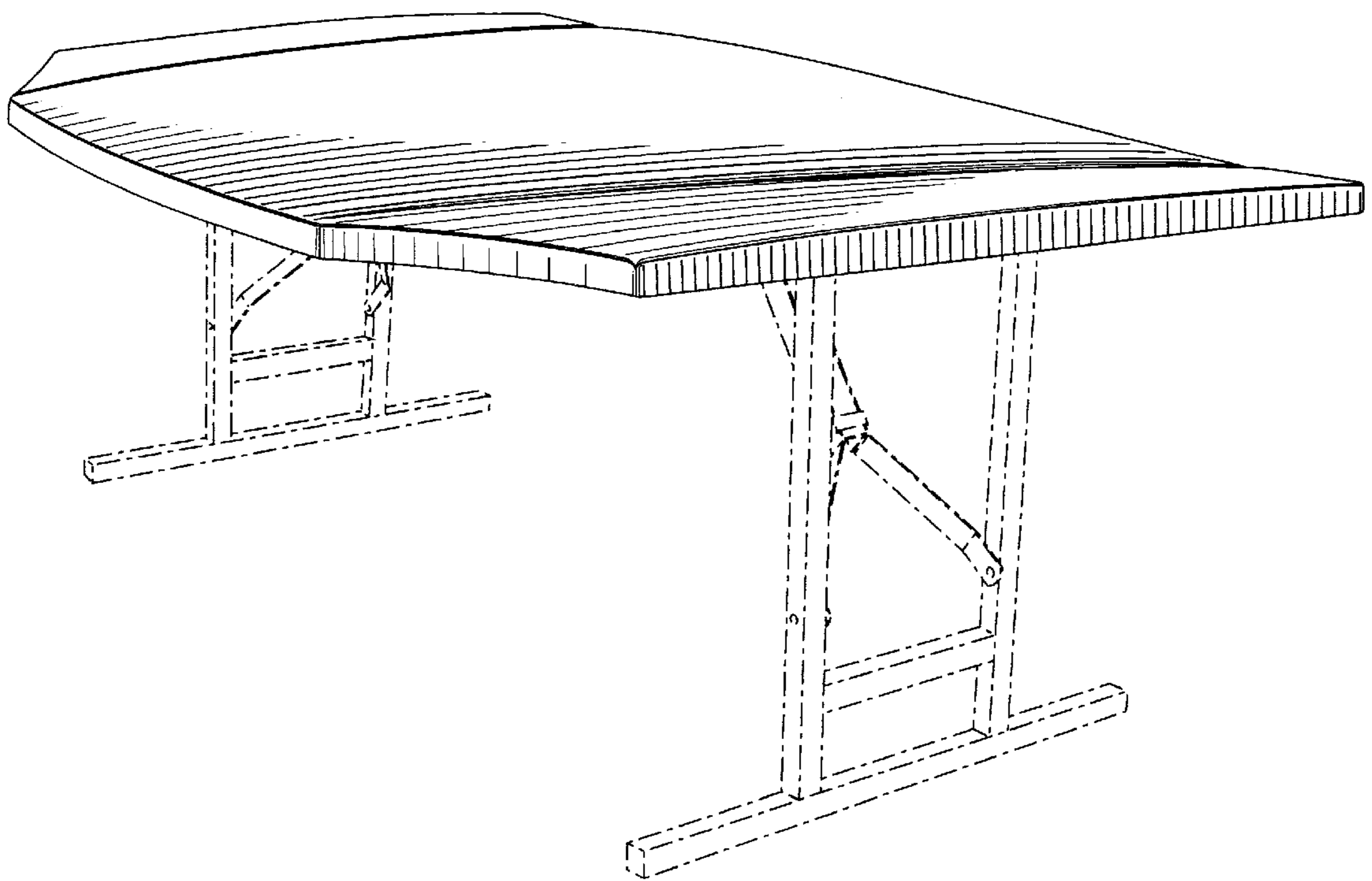
**DESCRIPTION**

FIG. 1 is a perspective view of the car hood table top; FIG. 2 is a front view of the table top; FIG. 3 is a right side view of the table top; FIG. 4 is a top view; FIG. 5 is a rear view; FIG. 6 is a left side view; FIG. 7 is a bottom view; FIG. 8 is a cross-section view taken along line 8—8 in FIG. 4; FIG. 9 is a cross-section view taken along line 9—9 in FIG. 4; and, FIG. 10 is a cross-section view taken along line 10—10 in FIG. 4.

The broken lines are for environmental purposes only and form no part of the claimed design.

**1 Claim, 3 Drawing Sheets**





**Fig-1**

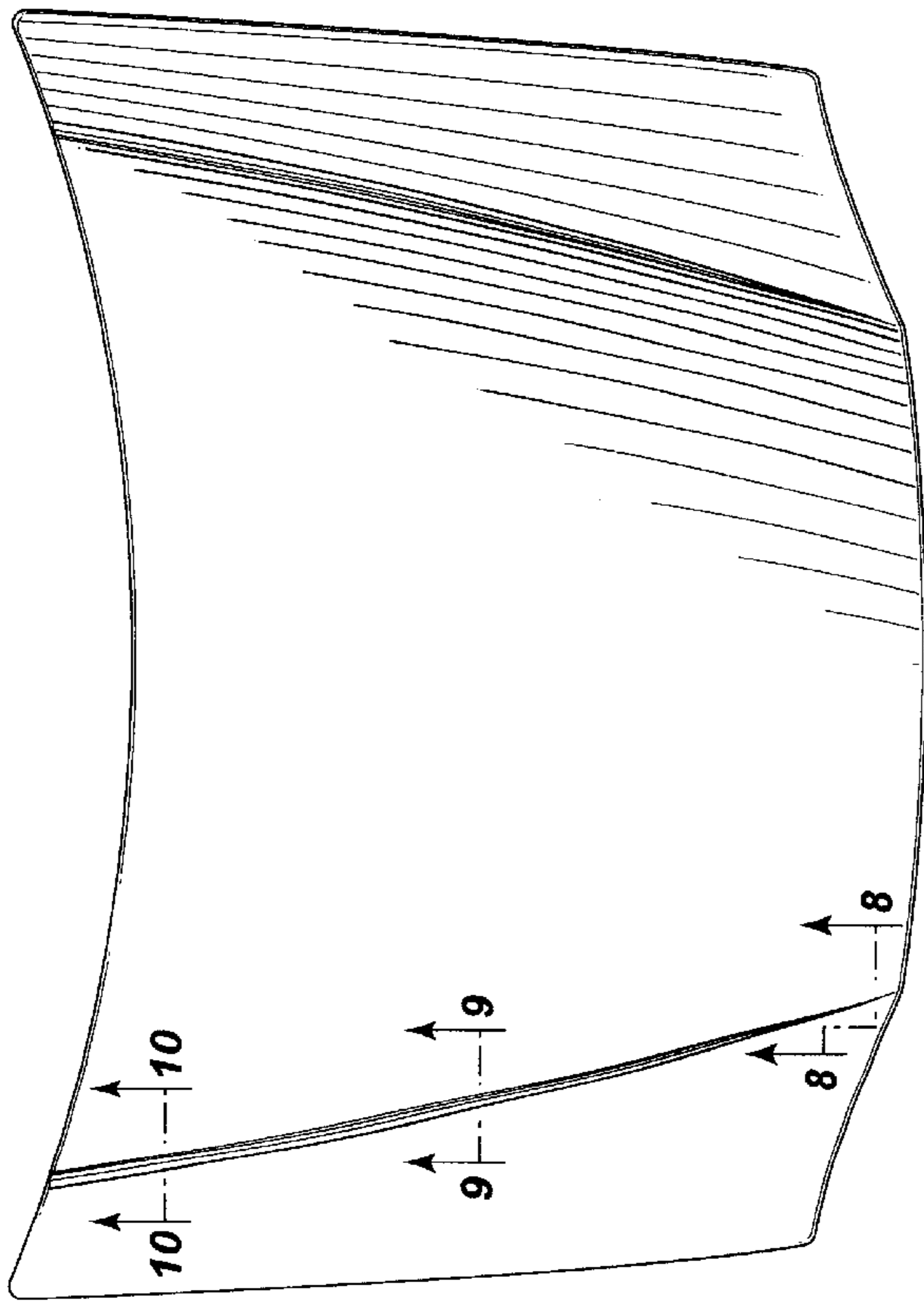


Fig-4

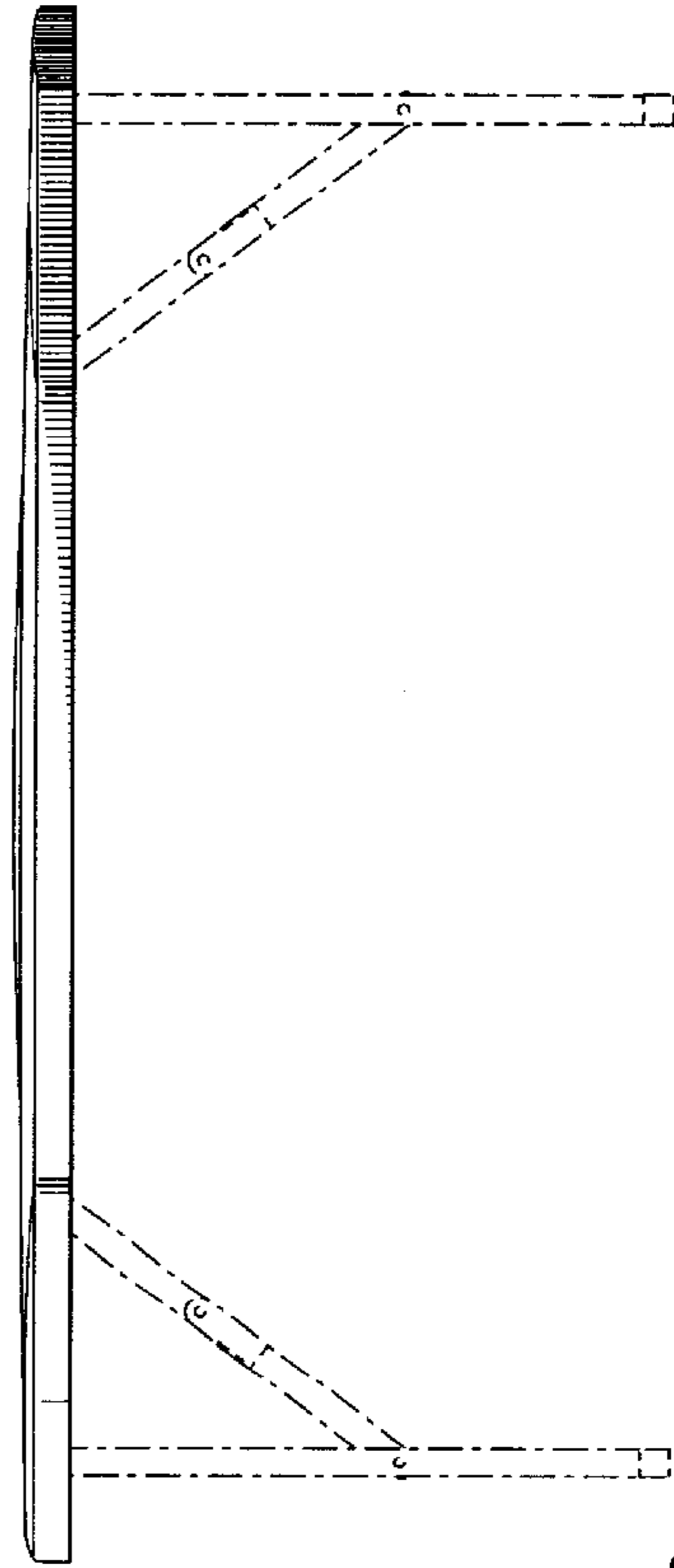


Fig-2

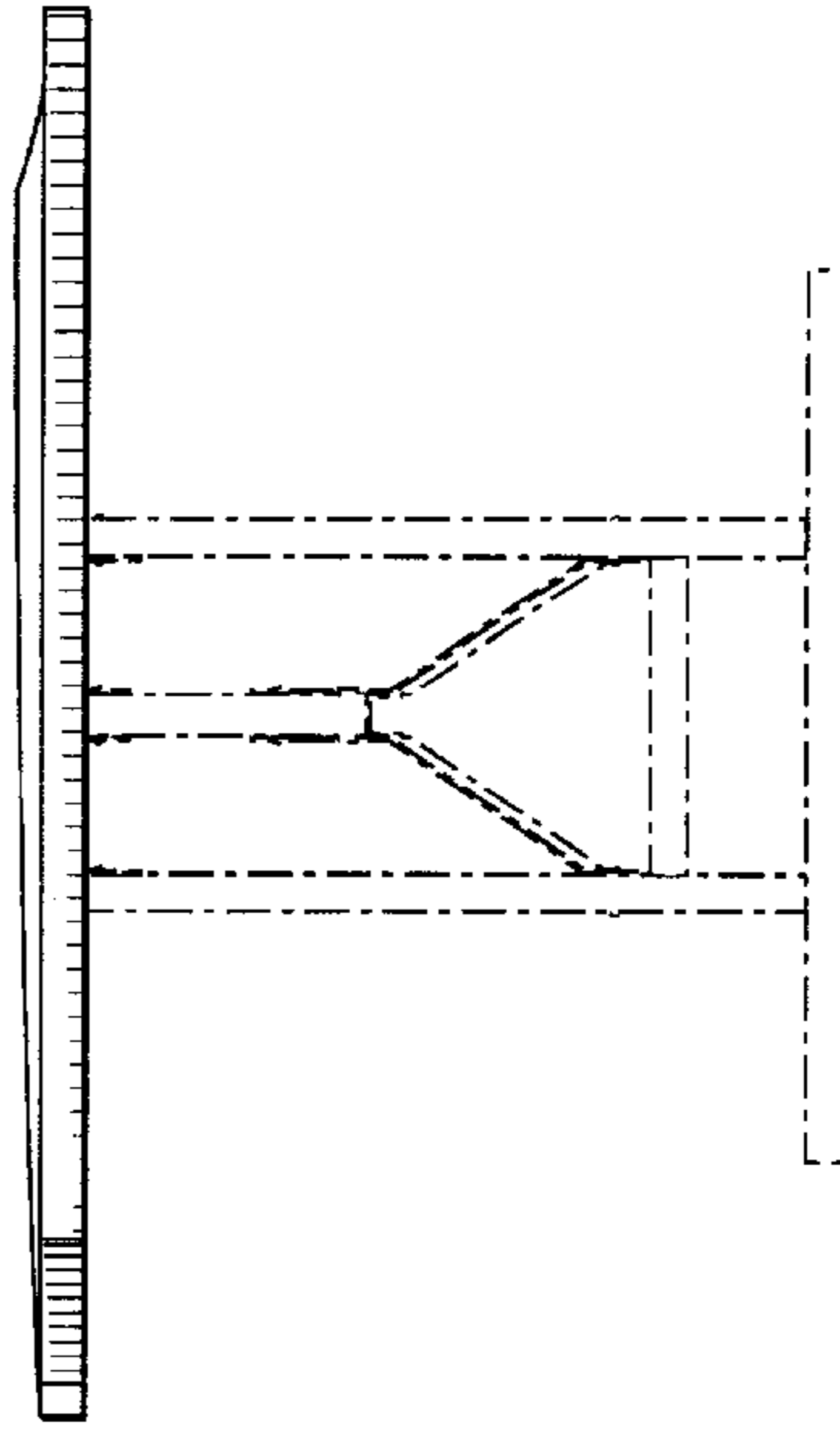


Fig-3

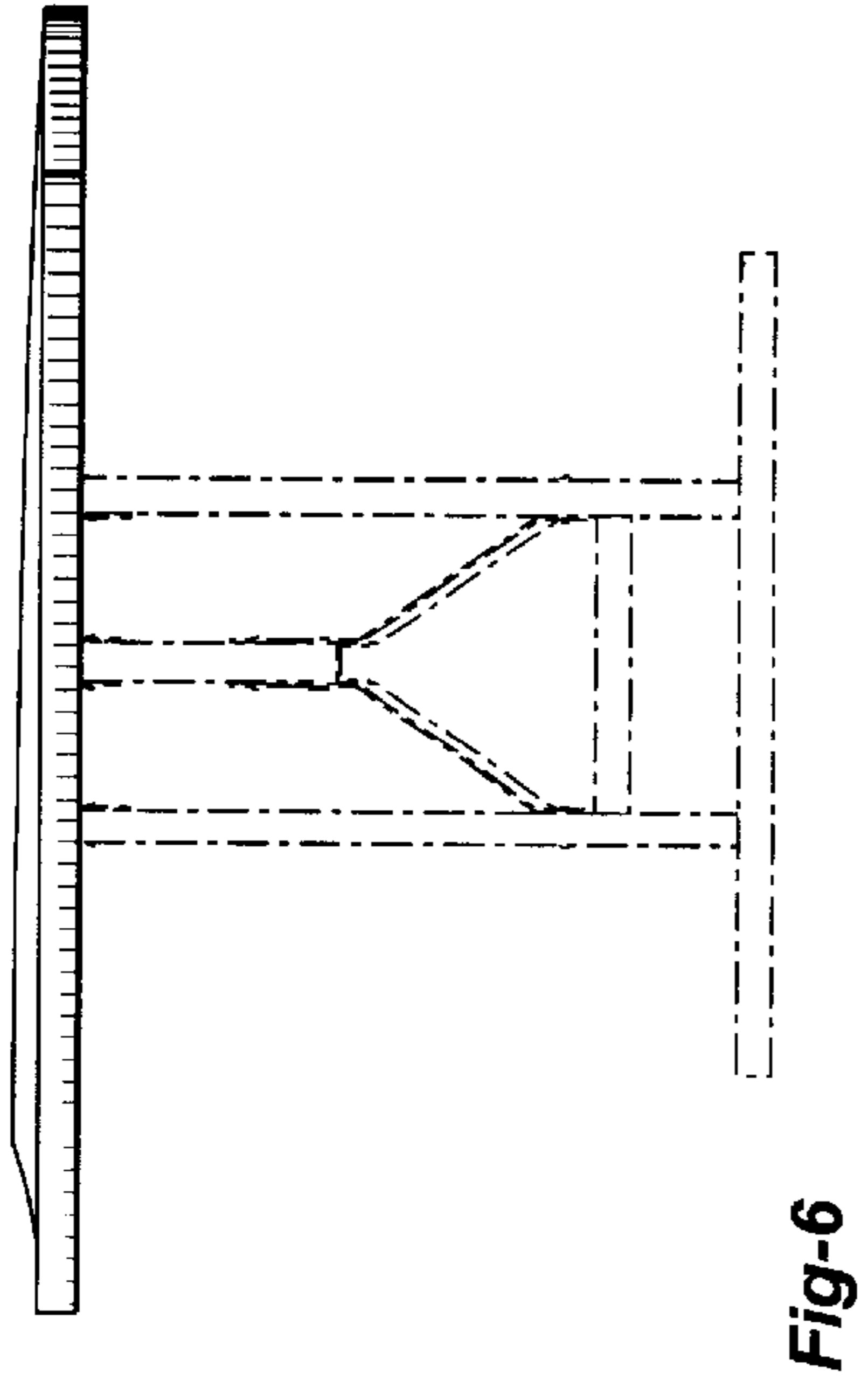


Fig-5

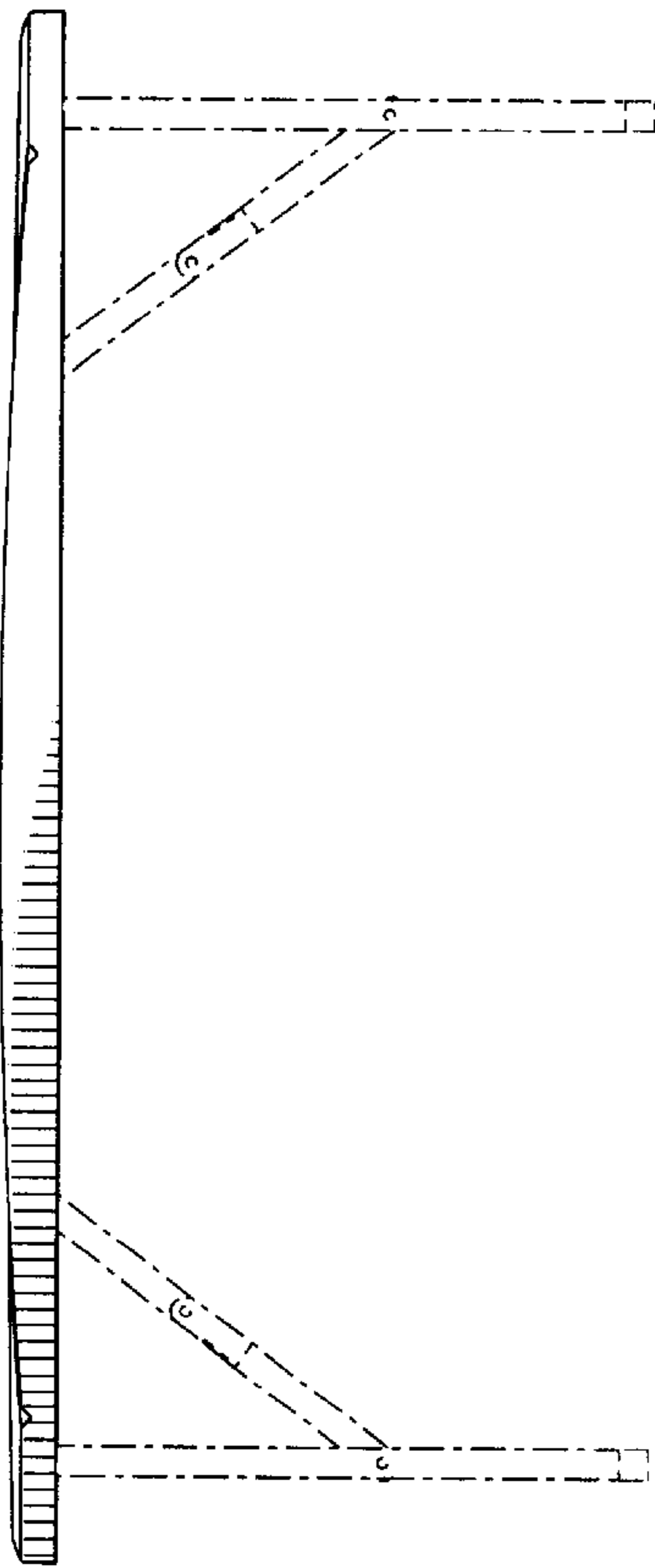


Fig-6

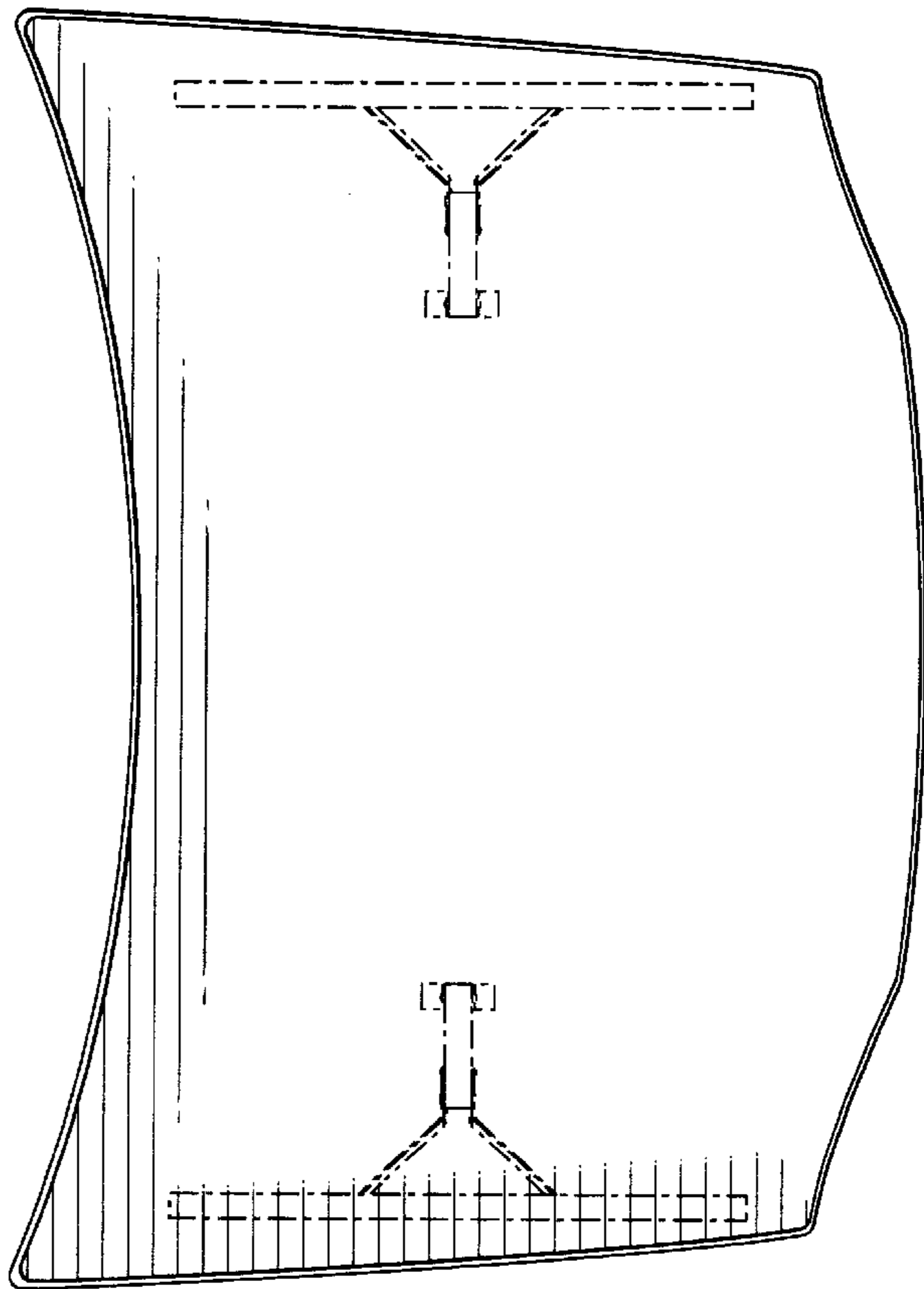


Fig-7



Fig-8



Fig-9



Fig-10