



US00D488333S

(12) **United States Design Patent**  
**Su**

(10) **Patent No.:** **US D488,333 S**

(45) **Date of Patent:** **\*\* Apr. 13, 2004**

(54) **CHAIR ARM**

(76) **Inventor:** **Tung-Hua Su**, No. 6, Sec. 3, Bao Ta Rd., Kuwi Jen Hsiang, Tainan Hsien (TW)

(\*\*) **Term:** **14 Years**

(21) **Appl. No.:** **29/183,875**

(22) **Filed:** **Jun. 18, 2003**

(51) **LOC (7) Cl.** ..... **06-06**

(52) **U.S. Cl.** ..... **D6/501; D6/366**

(58) **Field of Search** ..... D6/334, 335, 364, D6/365, 366, 367, 500, 501, 502; 297/411.2, 411.27, 411.36, 463.1

(56) **References Cited**

**U.S. PATENT DOCUMENTS**

D346,279 S	*	4/1994	Stumpf et al.	.....	D6/366
D393,765 S	*	4/1998	Chu	.....	D6/501
D398,174 S	*	9/1998	Fahnstrom et al.	.....	D6/501
D431,400 S	*	10/2000	Grove	.....	D6/500
D440,437 S	*	4/2001	Beaulieu	.....	D6/501

D450,958 S	*	11/2001	Beaulieu	.....	D6/501
D454,270 S	*	3/2002	Schultz et al.	.....	D6/501
D462,186 S	*	9/2002	Schultz et al.	.....	D6/366
D463,174 S	*	9/2002	Chu	.....	D6/500
6,623,078 B2	*	9/2003	Chu et al.	.....	297/411.36

\* cited by examiner

*Primary Examiner*—Gary D. Watson

(74) *Attorney, Agent, or Firm*—Charles E. Baxley

(57) **CLAIM**

The ornamental design for a chair arm, as shown.

**DESCRIPTION**

FIG. 1 is a perspective view of a chair showing my new design;  
 FIG. 2 is a front elevation view thereof;  
 FIG. 3 is a rear elevation view thereof;  
 FIG. 4 is a left side elevation view thereof;  
 FIG. 5 is a right side elevation view thereof;  
 FIG. 6 is a top plan view thereof; and,  
 FIG. 7 is a bottom plan view thereof.

**1 Claim, 7 Drawing Sheets**

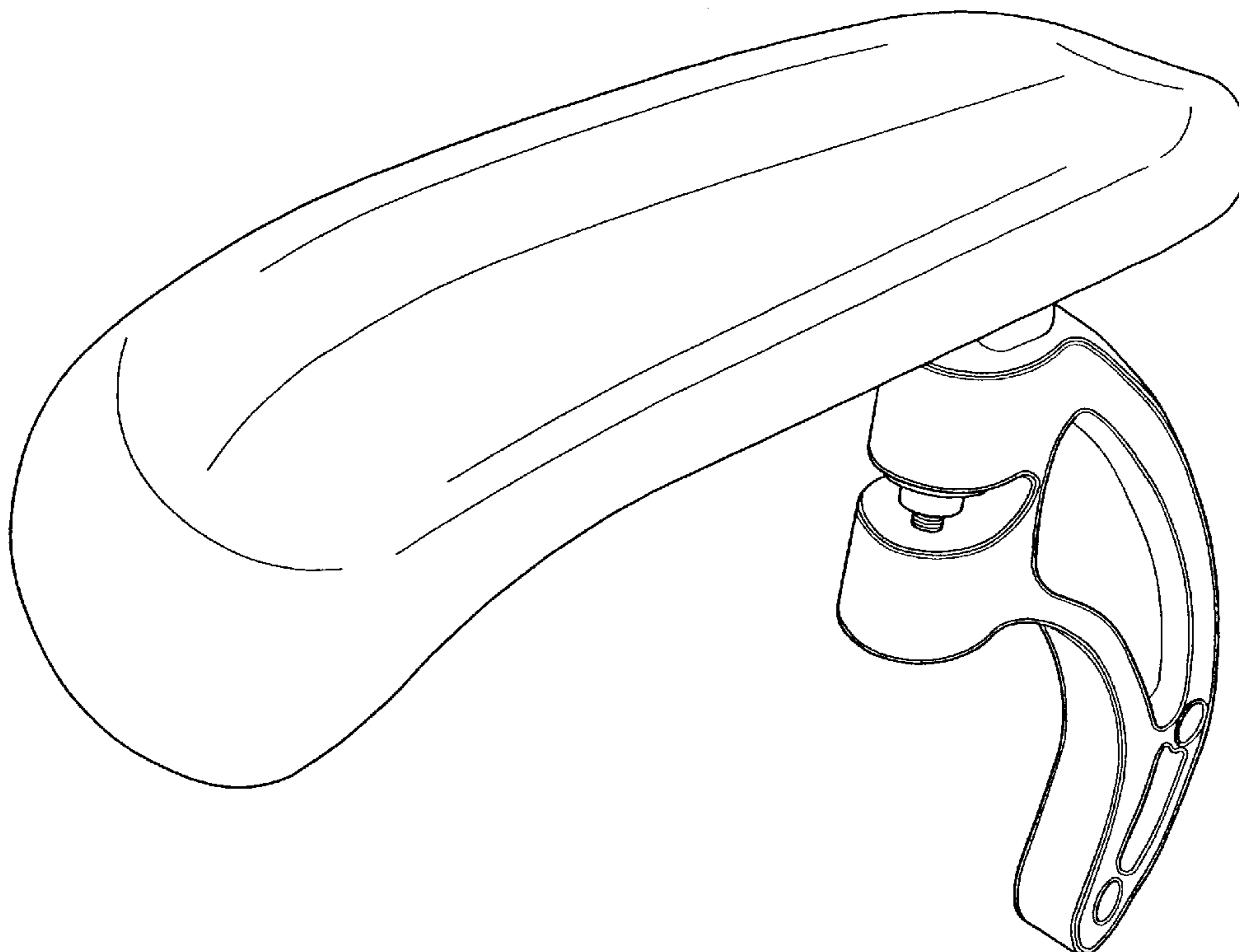




FIG. 1

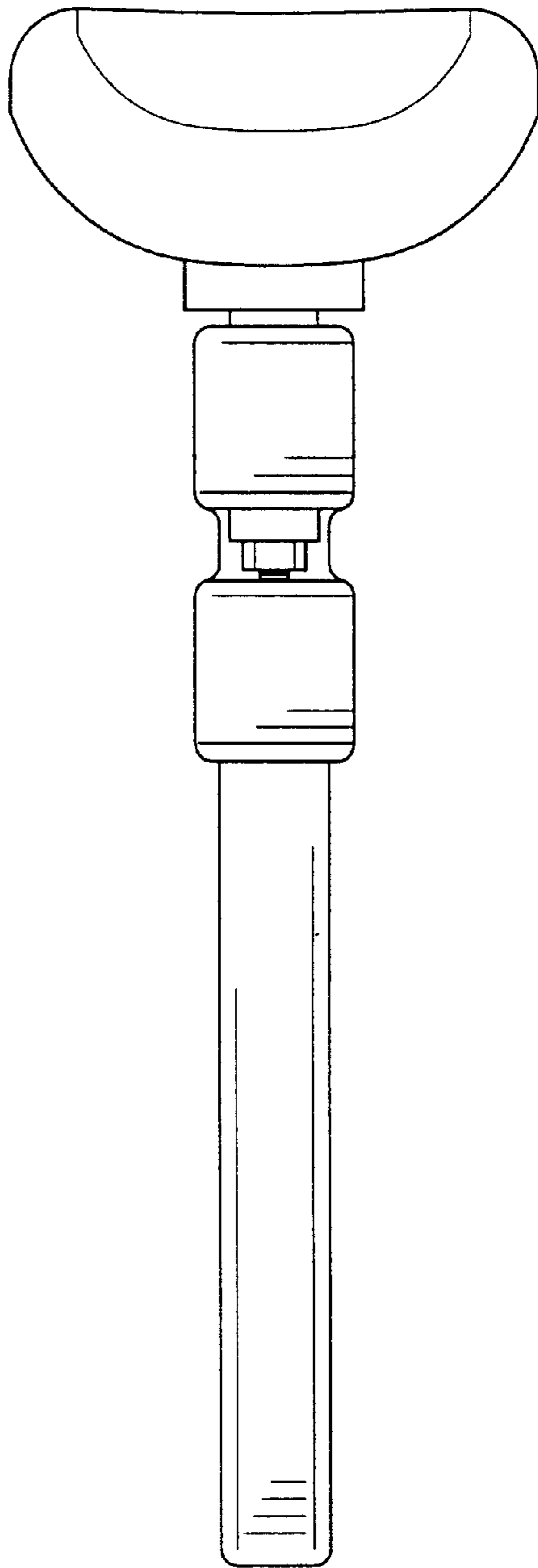


FIG. 2

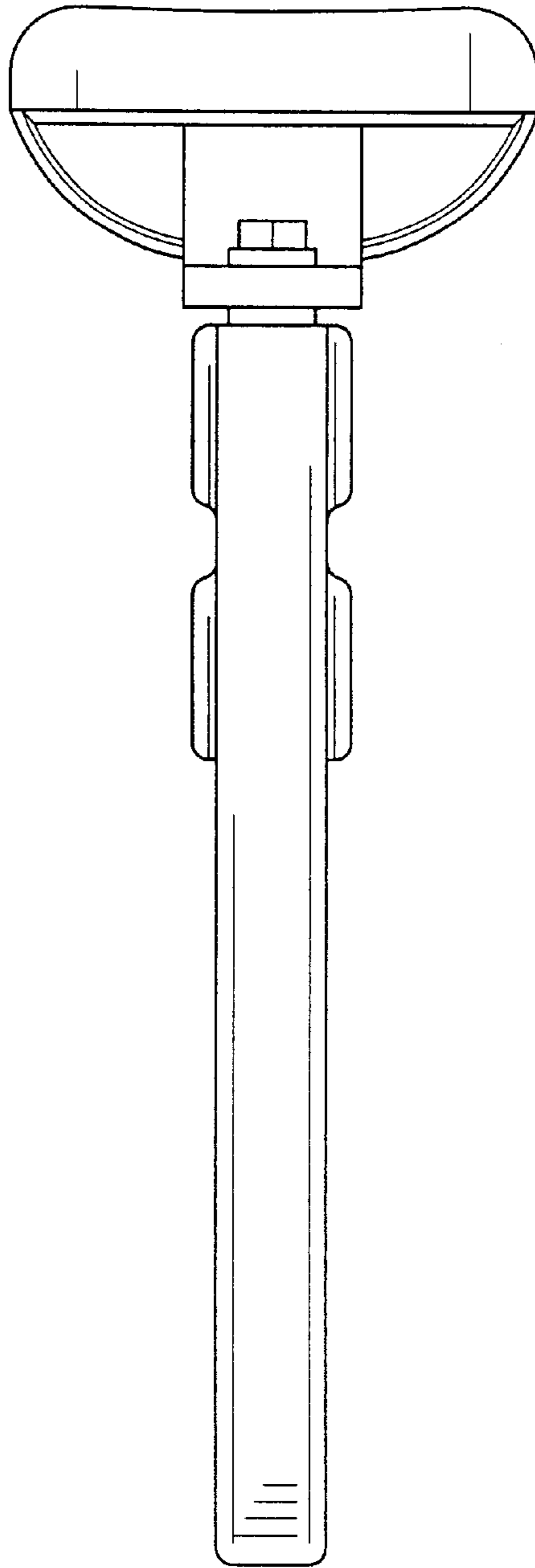


FIG. 3

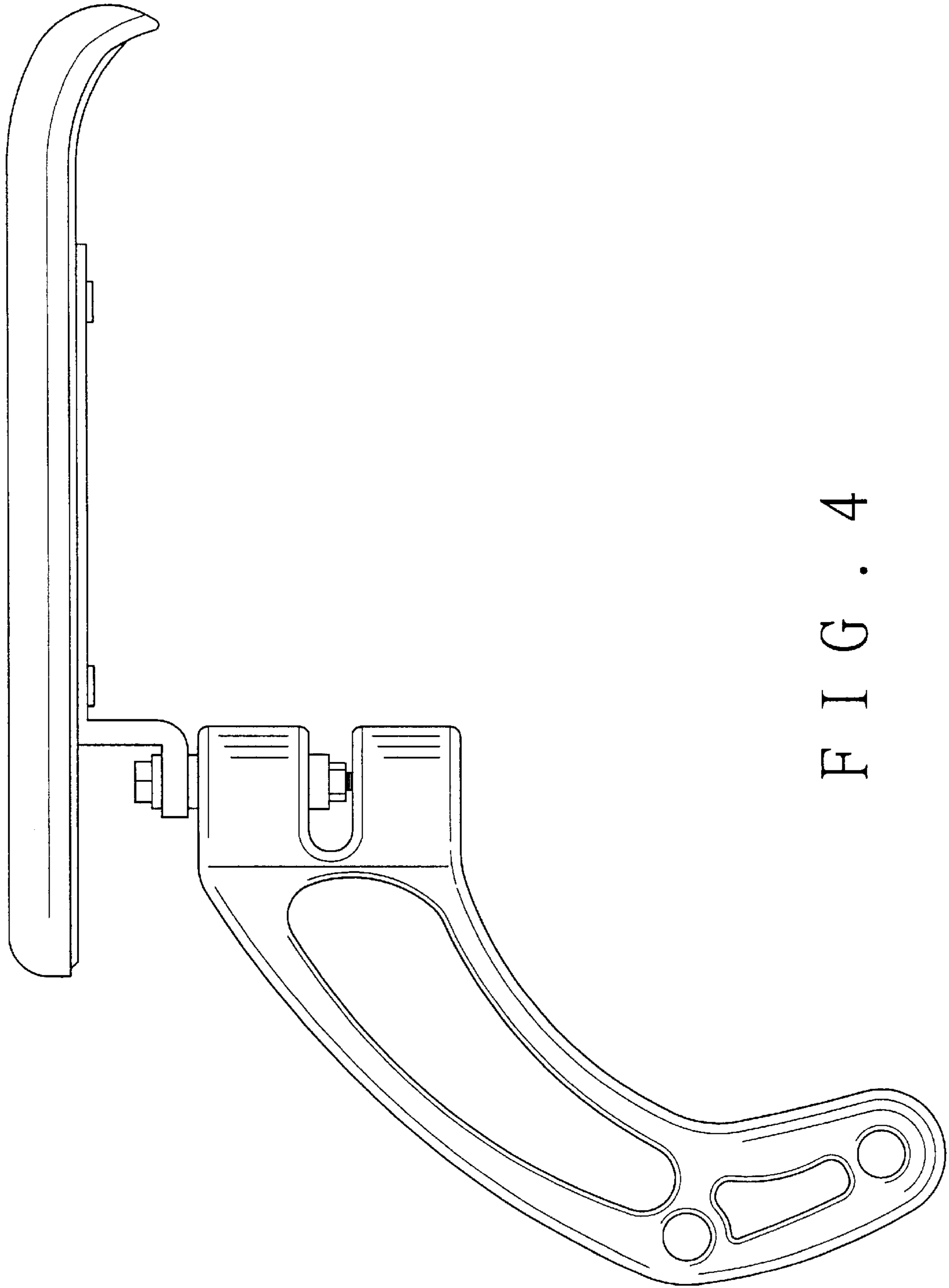


FIG. 4

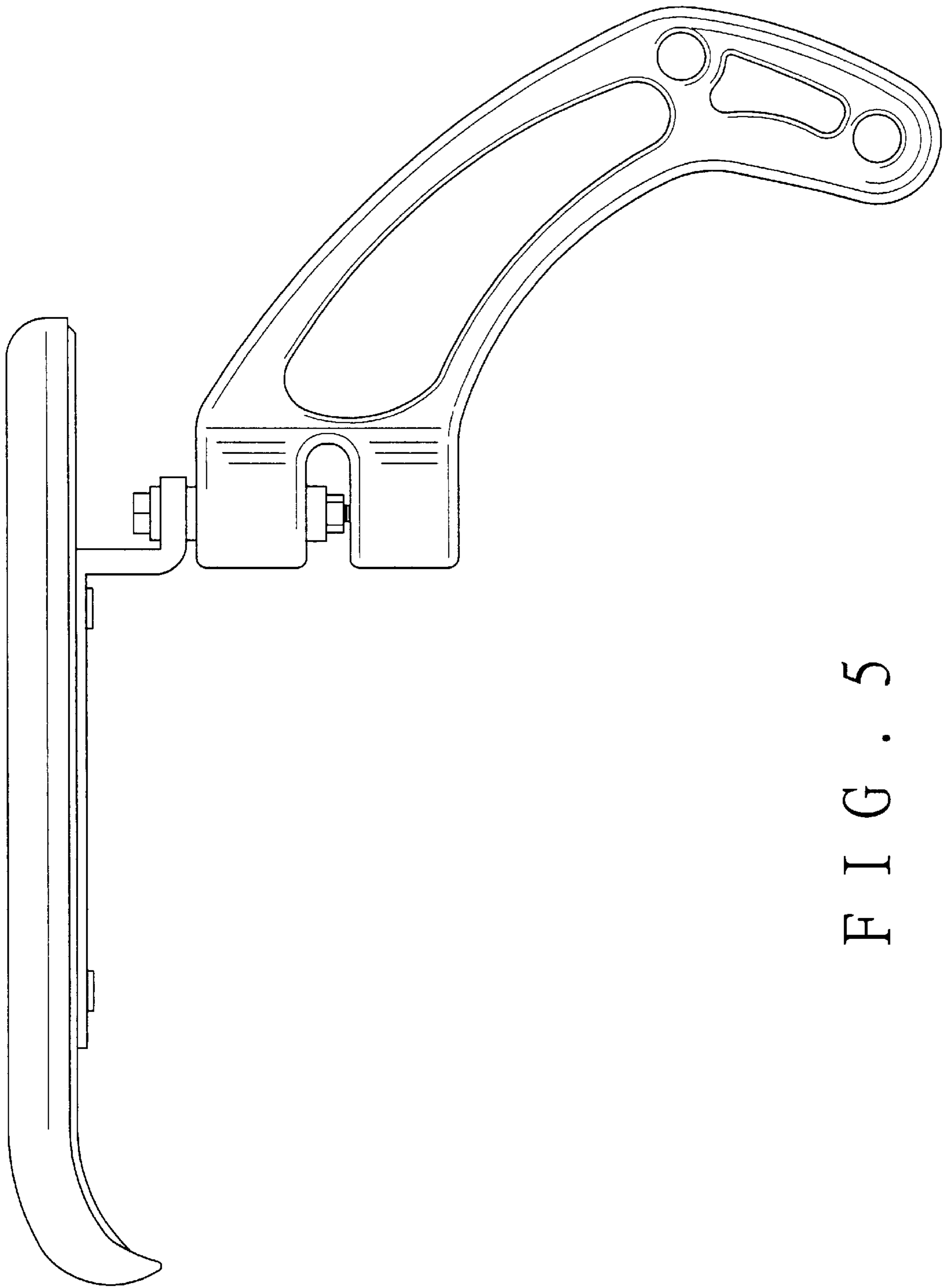


FIG. 5

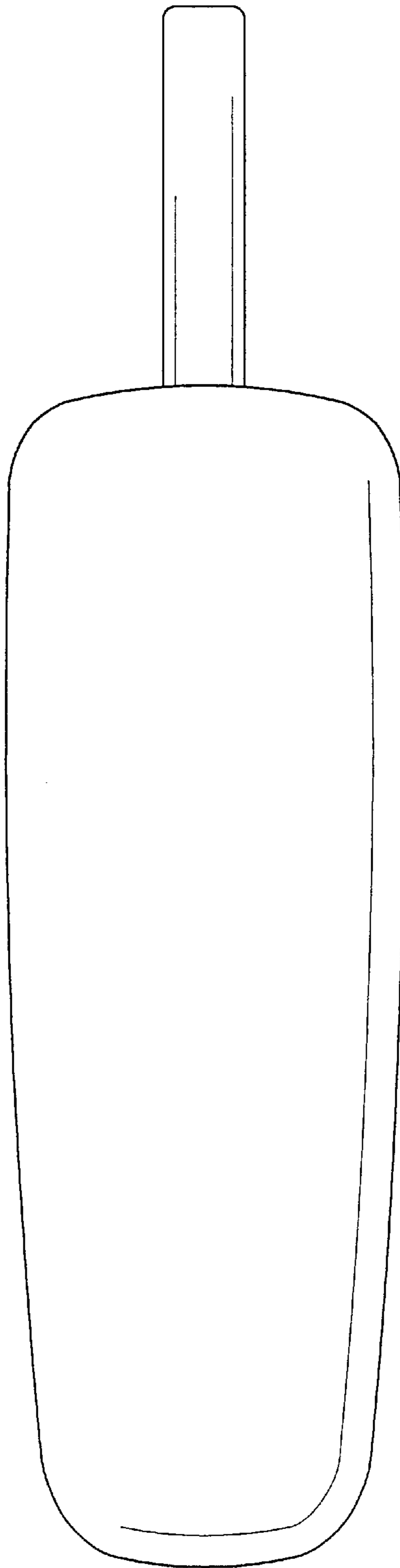


FIG. 6

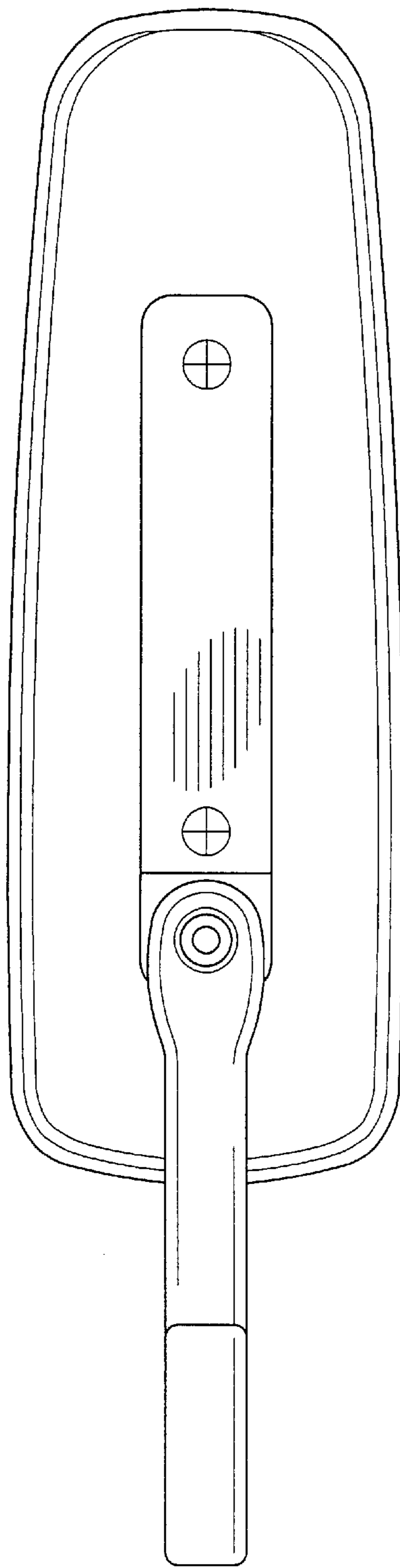


FIG . 7