



US00D488332S

(12) **United States Design Patent**
Muenzberg

(10) **Patent No.:** **US D488,332 S**

(45) **Date of Patent:** **** Apr. 13, 2004**

(54) **MODULE AND MOUNTING POST FOR A
TEMPORARY DINING UNIT**

(75) **Inventor:** **Daniel G. Muenzberg**, Philadelphia, PA
(US)

(73) **Assignee:** **Aramark Corporation**, Philadelphia,
PA (US)

(**) **Term:** **14 Years**

(21) **Appl. No.:** **29/161,004**

(22) **Filed:** **May 17, 2002**

(51) **LOC (7) Cl.** **06-06**

(52) **U.S. Cl.** **D6/495**

(58) **Field of Search** D6/332, 396, 397,
D6/492, 495, 509, 511, 491; D25/16, 58;
52/633, 636, 645, 646

| | | | | |
|-----------------|---------|------------------------|-------|-----------|
| 5,281,016 A | 1/1994 | Brague | | 312/140.2 |
| 5,405,192 A | 4/1995 | McGrath | | 312/108 |
| 5,573,082 A | 11/1996 | Conlan et al. | | 186/44 |
| 5,647,648 A | 7/1997 | Duesler | | 312/108 |
| 5,816,405 A | 10/1998 | Carriger, Jr. | | 206/542 |
| 5,823,367 A | 10/1998 | Moran, Jr. | | 211/126.1 |
| D405,629 S * | 2/1999 | Horton | | D6/474 |
| D406,903 S * | 3/1999 | Horton | | D25/16 |
| 5,944,143 A | 8/1999 | Papas et al. | | 186/44 |
| 6,073,547 A | 6/2000 | Westbrooks, Jr. et al. | | 99/468 |
| 6,123,011 A | 9/2000 | Cretors | | 99/323.9 |
| 6,170,926 B1 | 1/2001 | Roberts et al. | | 312/194 |
| D454,961 S * | 3/2002 | Marshall et al. | | D25/58 |
| D463,571 S * | 9/2002 | Cohn | | D25/16 |
| D463,572 S * | 9/2002 | Knoettgen | | D25/16 |
| D470,599 S * | 2/2003 | Marshall et al. | | D25/58 |
| 2001/0047660 A1 | 12/2001 | Mashburn et al. | | 62/256 |
| 2002/0020304 A1 | 2/2002 | Reynolds | | 99/339 |

* cited by examiner

Primary Examiner—Cathron C. Brooks

(74) *Attorney, Agent, or Firm*—Woodcock Washburn LLP

(56) **References Cited**

U.S. PATENT DOCUMENTS

| | | | |
|---------------|---------|------------------|-----------------|
| 1,513,357 A | 10/1924 | Webber | |
| 2,612,421 A | 9/1952 | Bargen | 311/1 |
| 2,900,045 A | 8/1959 | Conklin et al. | 186/1 |
| 3,512,857 A | 5/1970 | Butera | 312/107 |
| 3,596,297 A | 8/1971 | James | 5/2 |
| 3,748,437 A | 7/1973 | Keeshin et al. | 219/214 |
| 3,957,326 A | 5/1976 | Molitor | 312/236 |
| 4,019,339 A | 4/1977 | Anderson | 62/255 |
| 4,076,349 A | 2/1978 | Gettleman et al. | 312/236 |
| 4,080,022 A | 3/1978 | Canfield et al. | 312/239 |
| 4,236,359 A | 12/1980 | Woolford | 52/66 |
| 4,417,774 A | 11/1983 | Bevan et al. | 312/108 |
| 4,802,340 A | 2/1989 | Johnson | 62/229 |
| 4,974,500 A | 12/1990 | Boyd et al. | 99/279 |
| 5,048,857 A * | 9/1991 | Stevens | 280/651 |
| 5,082,334 A | 1/1992 | Beyer et al. | 312/140.4 |
| D324,737 S * | 3/1992 | Stafford | D25/58 |
| 5,163,536 A | 11/1992 | Tuhro et al. | 186/44 |

(57) **CLAIM**

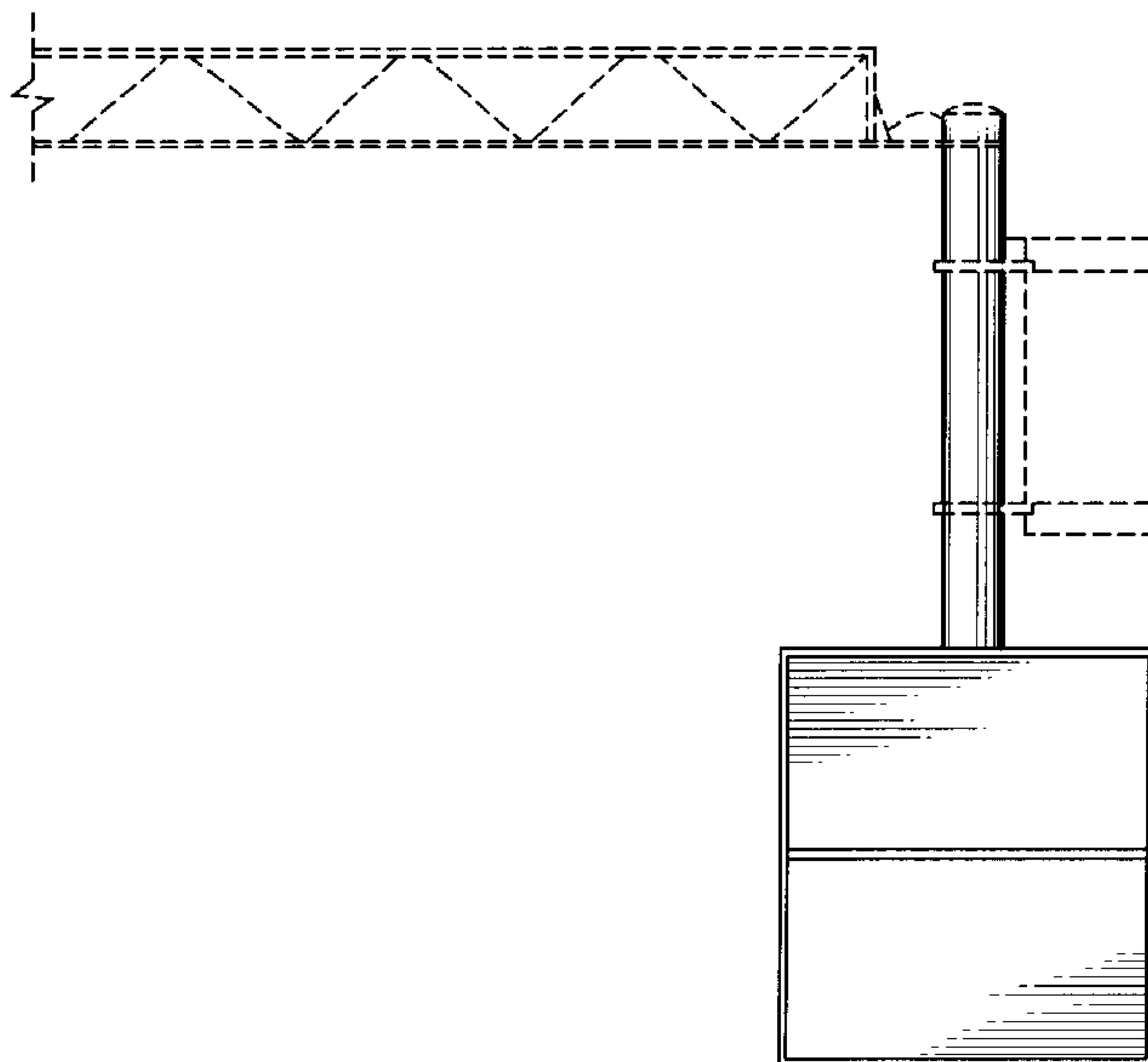
The ornamental design for a module and mounting post for a temporary dining unit, as shown and described.

DESCRIPTION

FIG. 1 is a front view of a module and mounting post for a temporary dining unit according to a preferred embodiment of the design;
FIG. 2 is a top view of the design that is depicted in FIG. 1;
FIG. 3 is a rear view of the design that is depicted in FIGS. 1 and 2; and,
FIG. 4 is a side view of the design that is depicted in FIGS. 1-3.

The broken lines are shown in the views for illustrative purposes only and form no part of the claimed design.

1 Claim, 4 Drawing Sheets



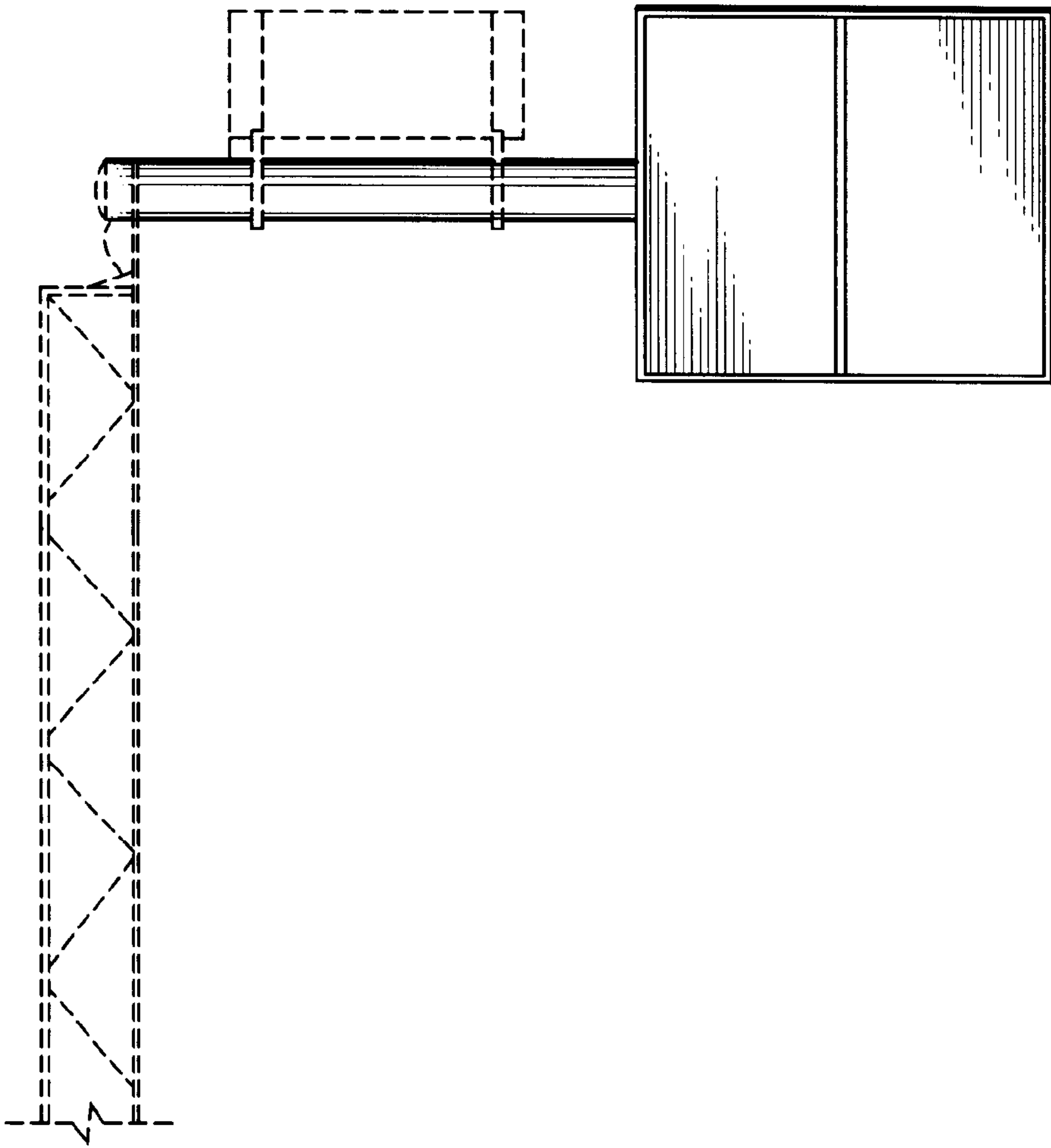


FIG. 1

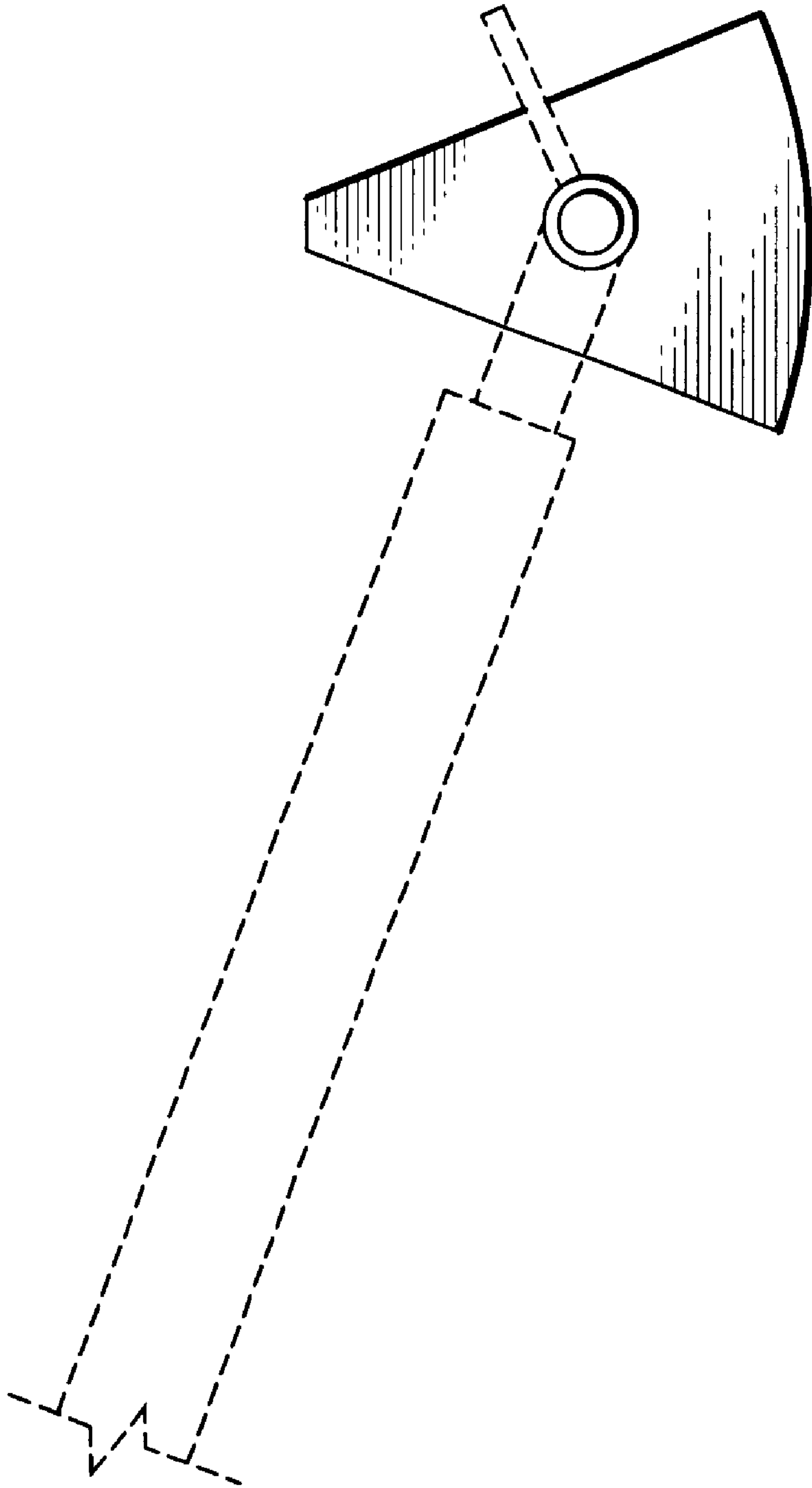


FIG. 2

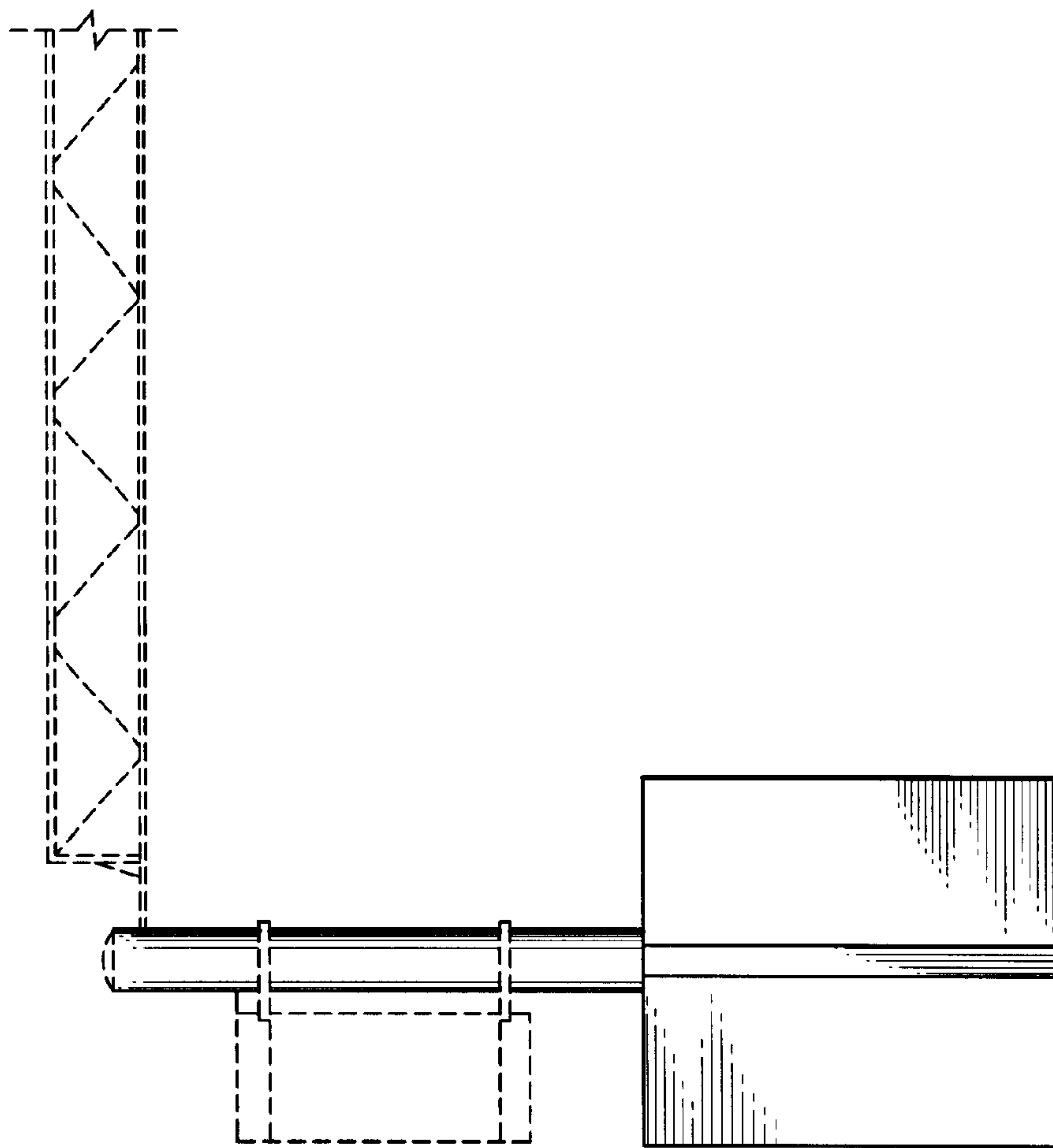


FIG. 3

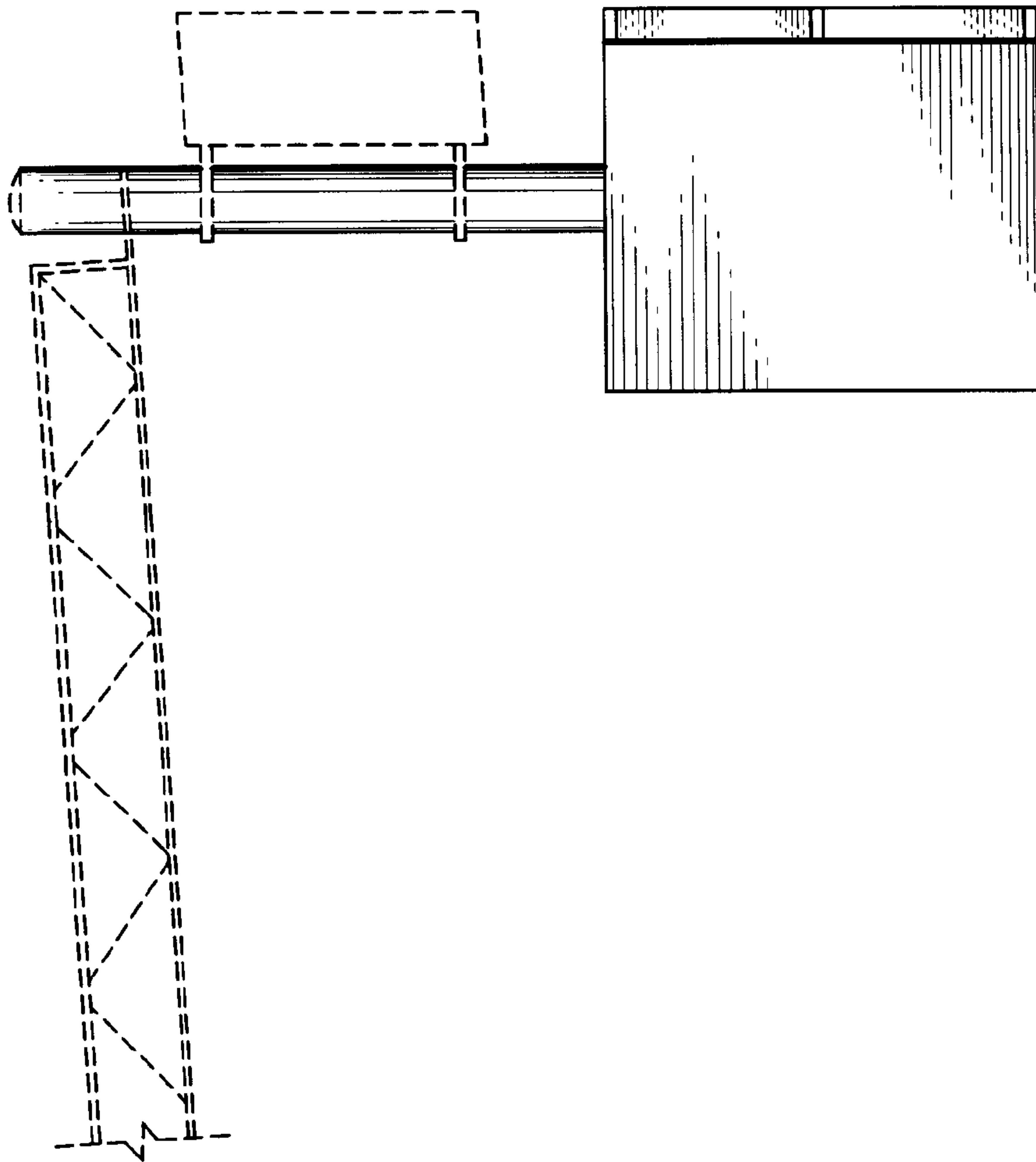


FIG. 4