



US00D488317S

(12) **United States Design Patent**  
**Wanek et al.**

(10) **Patent No.:** **US D488,317 S**

(45) **Date of Patent:** **\*\* Apr. 13, 2004**

(54) **BED**

(75) Inventors: **Ronald G. Wanek**, Arcadia, WI (US);  
**Terry A. Everson**, Blair, WI (US)

(73) Assignee: **Ashley Furniture Industries, Inc.**,  
Arcadia, WI (US)

(\*\*) Term: **14 Years**

(21) Appl. No.: **29/177,200**

(22) Filed: **Mar. 4, 2003**

(51) **LOC (7) Cl.** ..... **06-01**

(52) **U.S. Cl.** ..... **D6/393**

(58) **Field of Search** ..... D6/382-384, 389,  
D6/392-395, 505-508; 5/53.1, 279.1, 280,  
281, 907

(56) **References Cited**

**U.S. PATENT DOCUMENTS**

D178,851 S	*	9/1956	Van Koert	.....	D6/393
D243,987 S		4/1977	Carter		
D453,639 S	*	2/2002	Dordoni	.....	D6/393
D466,716 S	*	12/2002	Tobin, Jr.	.....	D6/393

**OTHER PUBLICATIONS**

Thomasville Affinity, Jan. 1987, p. 2, bed\*

\* cited by examiner

*Primary Examiner*—Janice E. Seeger

(74) *Attorney, Agent, or Firm*—Patterson, Thunte, Skaar & Christensen, P.A.

(57) **CLAIM**

The ornamental design for a bed, as shown and described.

**DESCRIPTION**

FIG. 1 is a perspective view of a bed according to an embodiment of the invention;

FIG. 2 is a top plan view;

FIG. 3 is a side elevational view, the opposite side being a mirror image thereof;

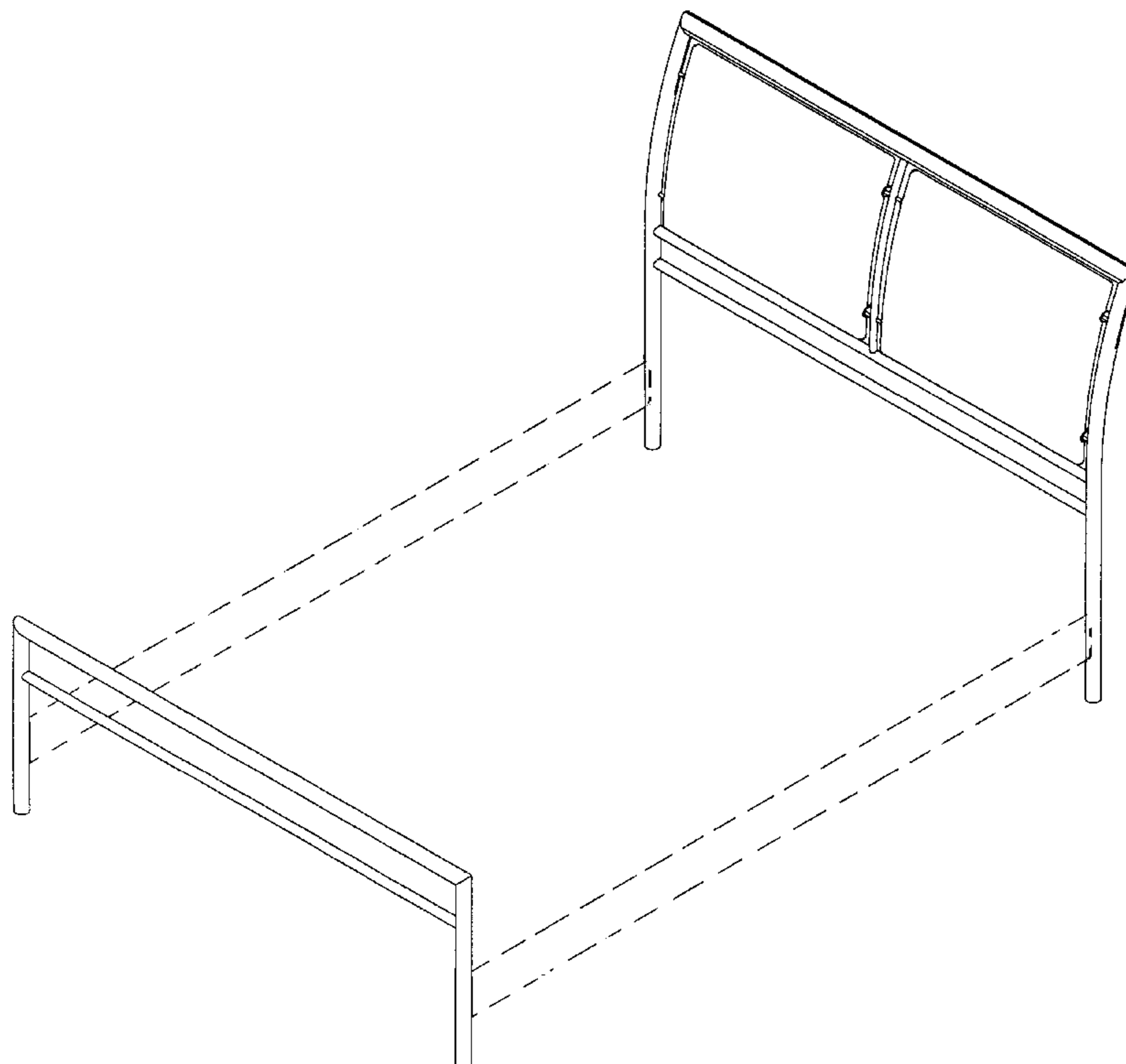
FIG. 4 is an end elevational view of the bed from the footboard end, the opposite side of the footboard being a mirror image of this view of the footboard; and,

FIG. 5 is an enlarged perspective view of the headboard.

The broken lines are environmental and are not part of the claimed invention.

The headboard is shown separately for convenience of illustration.

**1 Claim, 5 Drawing Sheets**



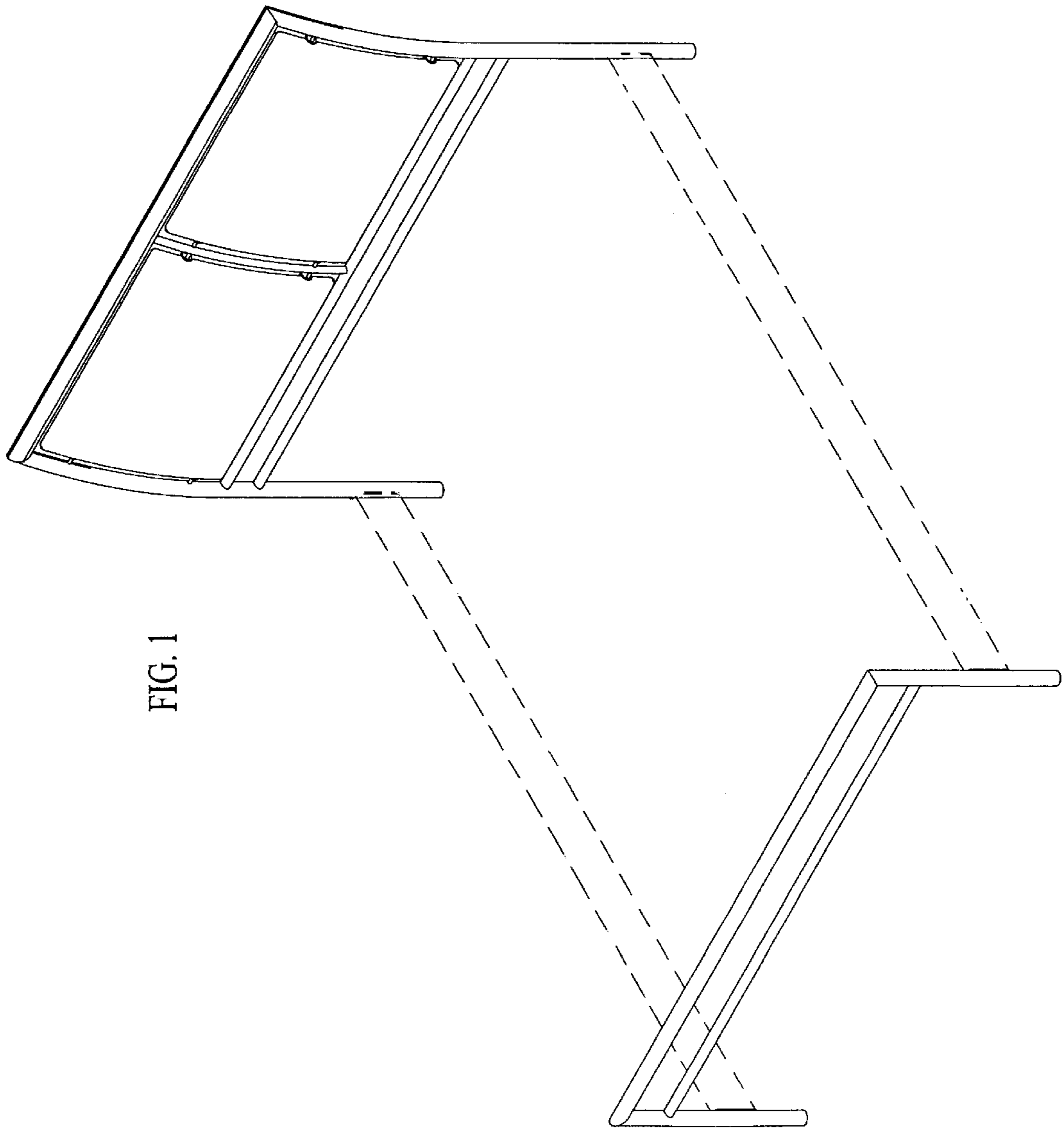


FIG. 1

FIG. 2



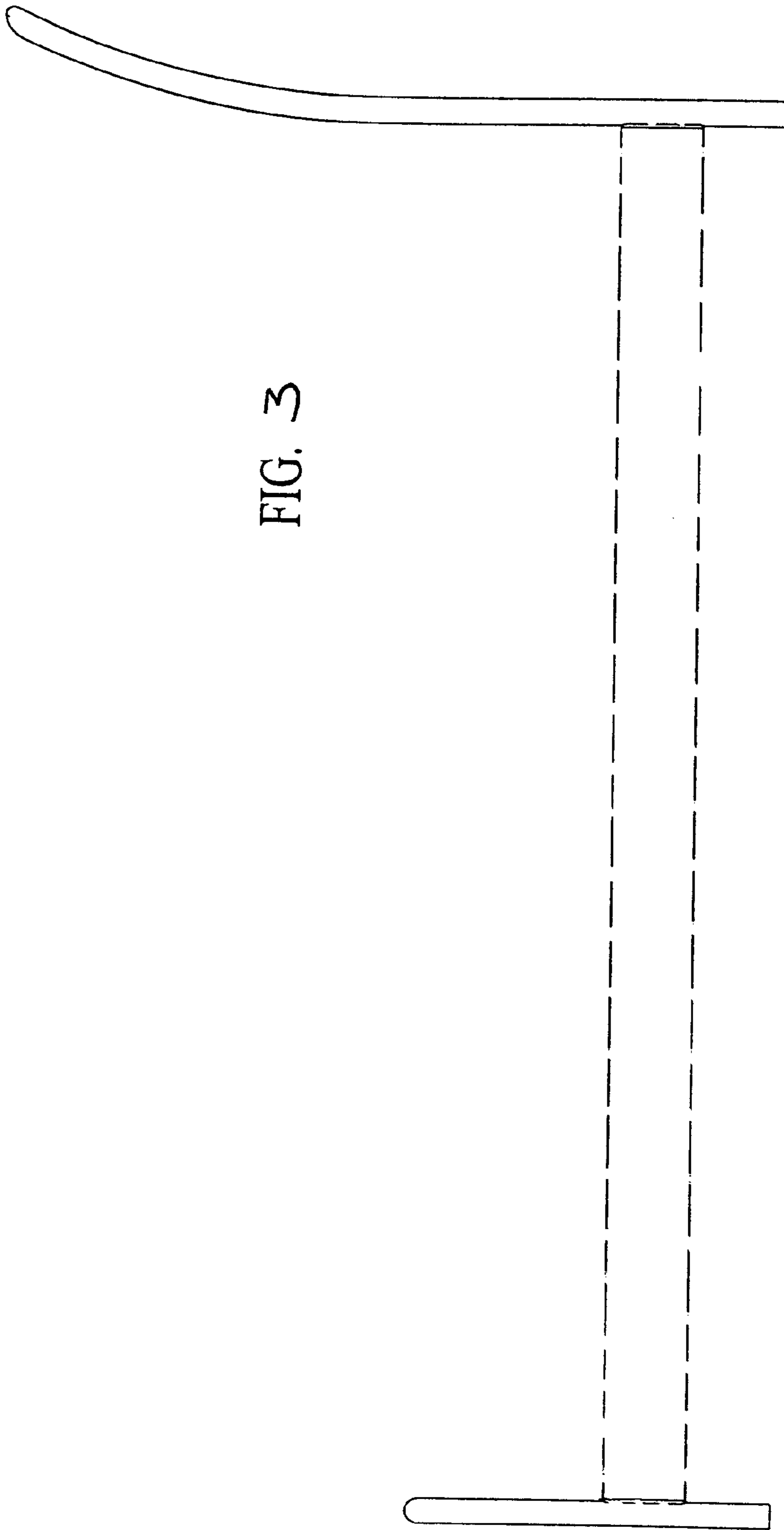


FIG. 3

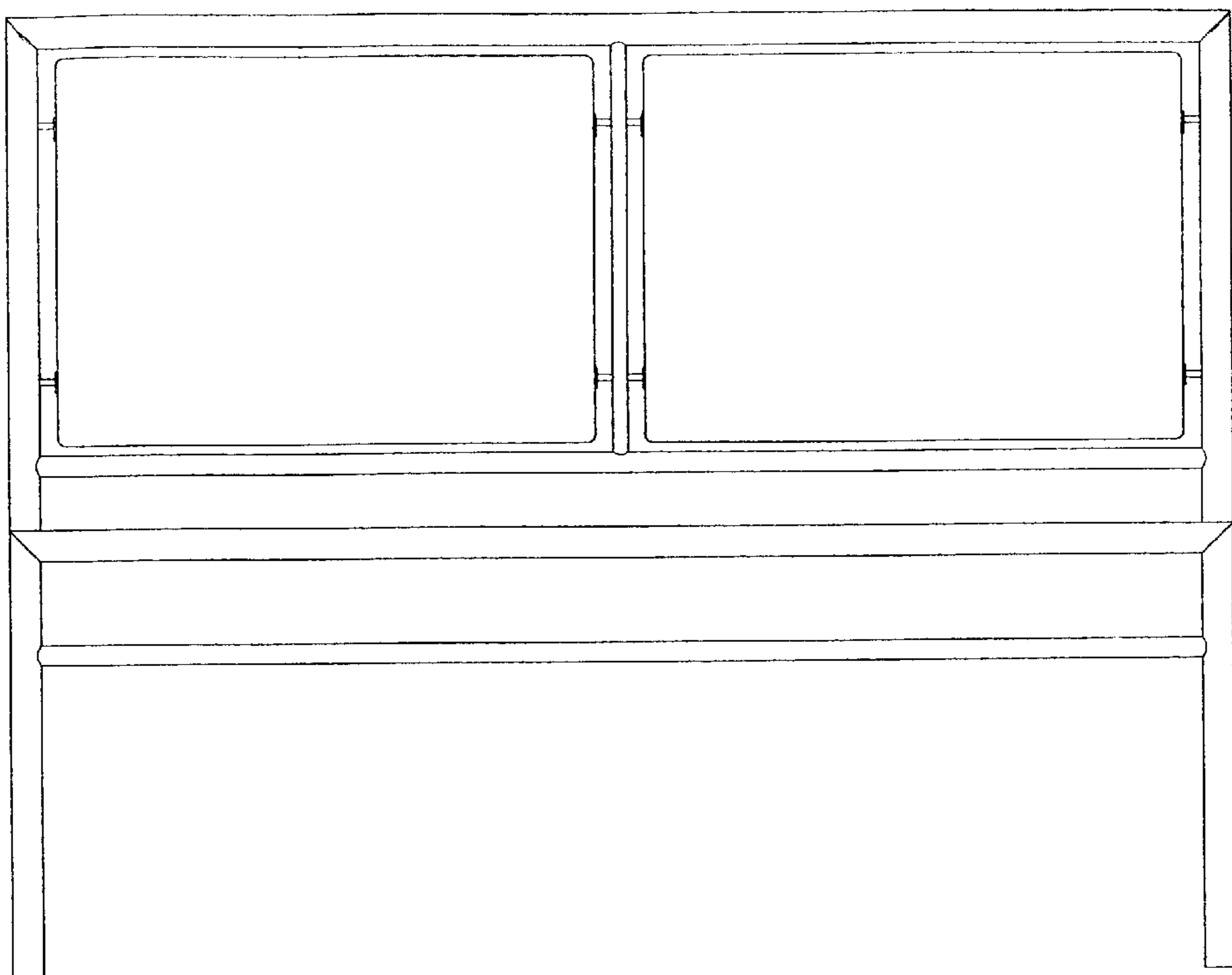


FIG. 4

