



US00D488316S

(12) **United States Design Patent**
Libardi

(10) **Patent No.:** **US D488,316 S**

(45) **Date of Patent:** **** Apr. 13, 2004**

(54) **BUNK BED**

(76) **Inventor:** **Bernadette Libardi**, 25 Deer Path,
Quogue, NY (US) 11959

(**) **Term:** **14 Years**

(21) **Appl. No.:** **29/179,643**

(22) **Filed:** **Apr. 11, 2003**

(51) **LOC (7) Cl.** **06-01**

(52) **U.S. Cl.** **D6/388**

(58) **Field of Search** D6/382-384, 388,
D6/389, 392-395, 505-508; 5/53.1, 279.1,
280, 281, 310, 907, 2.1, 9.1

(56) **References Cited**

U.S. PATENT DOCUMENTS

D142,266 S	*	8/1945	Vandeventer	D6/388
D228,537 S	*	10/1973	Jennings	D6/388
3,795,017 A	*	3/1974	Saxe	5/2.1
D249,403 S		9/1978	Lamb		
D256,854 S		9/1980	Bruce		
D279,735 S		7/1985	Anacker		
D294,893 S		3/1988	Mowery et al.		
D313,322 S		1/1991	Ventulett		
D414,621 S		10/1999	Boston et al.		

* cited by examiner

Primary Examiner—Janice E. Seeger
(74) *Attorney, Agent, or Firm*—Sturm & Fix LLP

(57) **CLAIM**

The ornamental design for a bunk bed, as shown and described.

DESCRIPTION

A portion of the disclosure of this patent document, including appendices, may contain material which is subject to copyright protection. The copyright owner has no objection to the facsimile reproduction by anyone of the patent document or the patent disclosure, as it appears in the Patent and Trademark office patent file or records, but otherwise reserves all copyright rights whatsoever.

FIG. 1 is a perspective view of the bunk bed showing my new design;

FIG. 2 is a top plan view thereof;

FIG. 3 is a left side elevational view thereof;

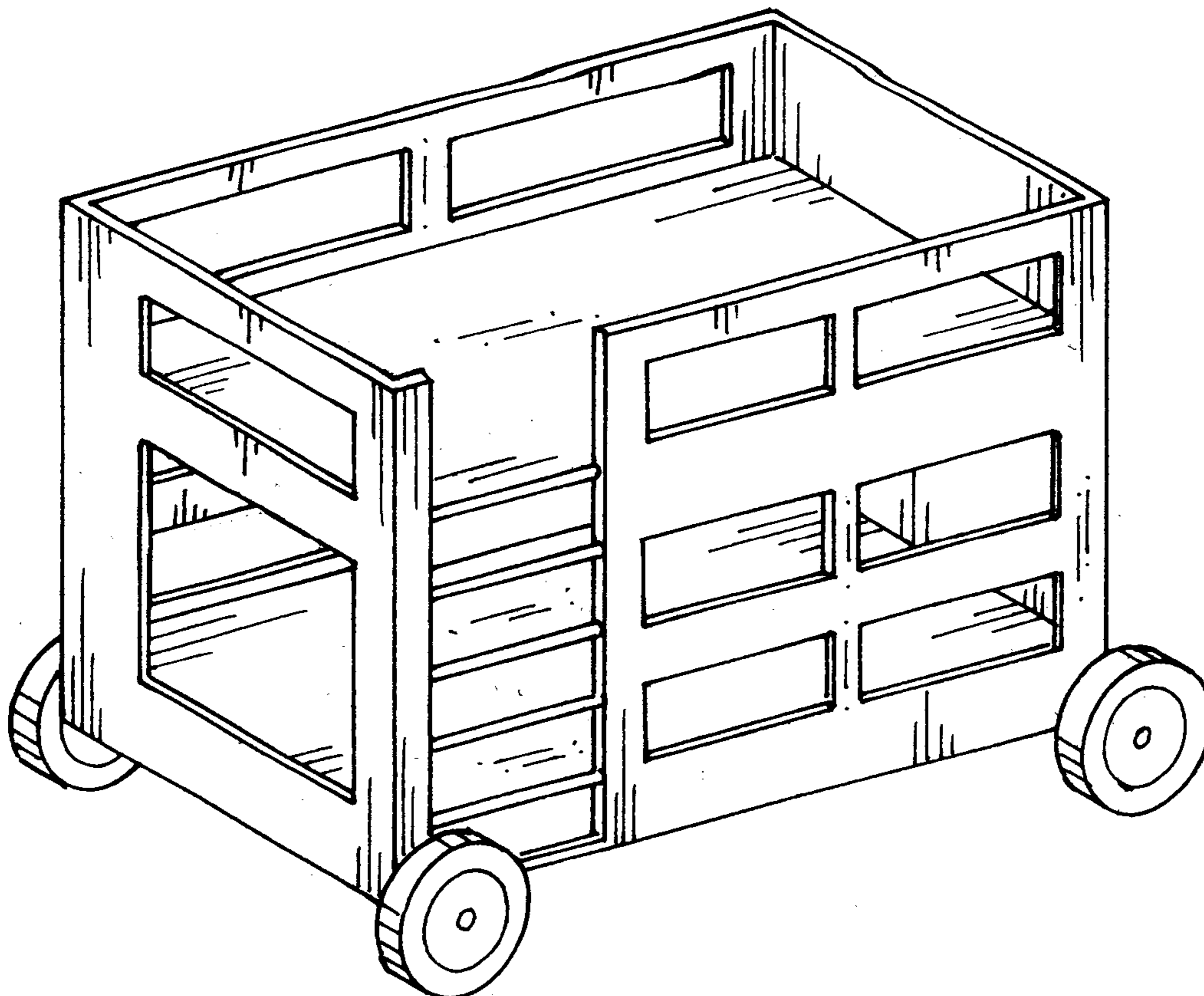
FIG. 4 is a front elevational view thereof;

FIG. 5 is a bottom plan view thereof;

FIG. 6 is a right side elevational view thereof; and,

FIG. 7 is a rear elevational view thereof.

1 Claim, 2 Drawing Sheets



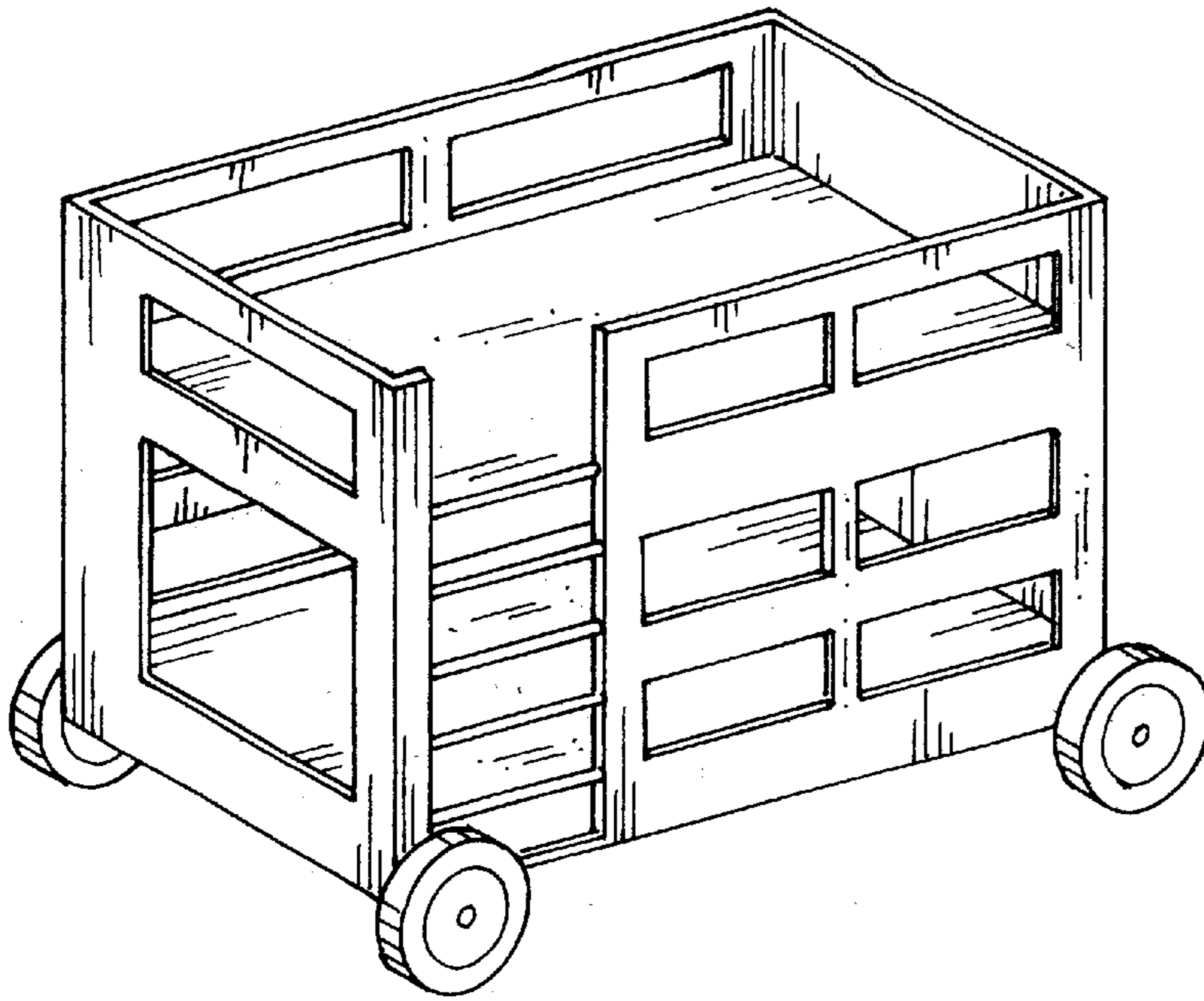


Fig. 1

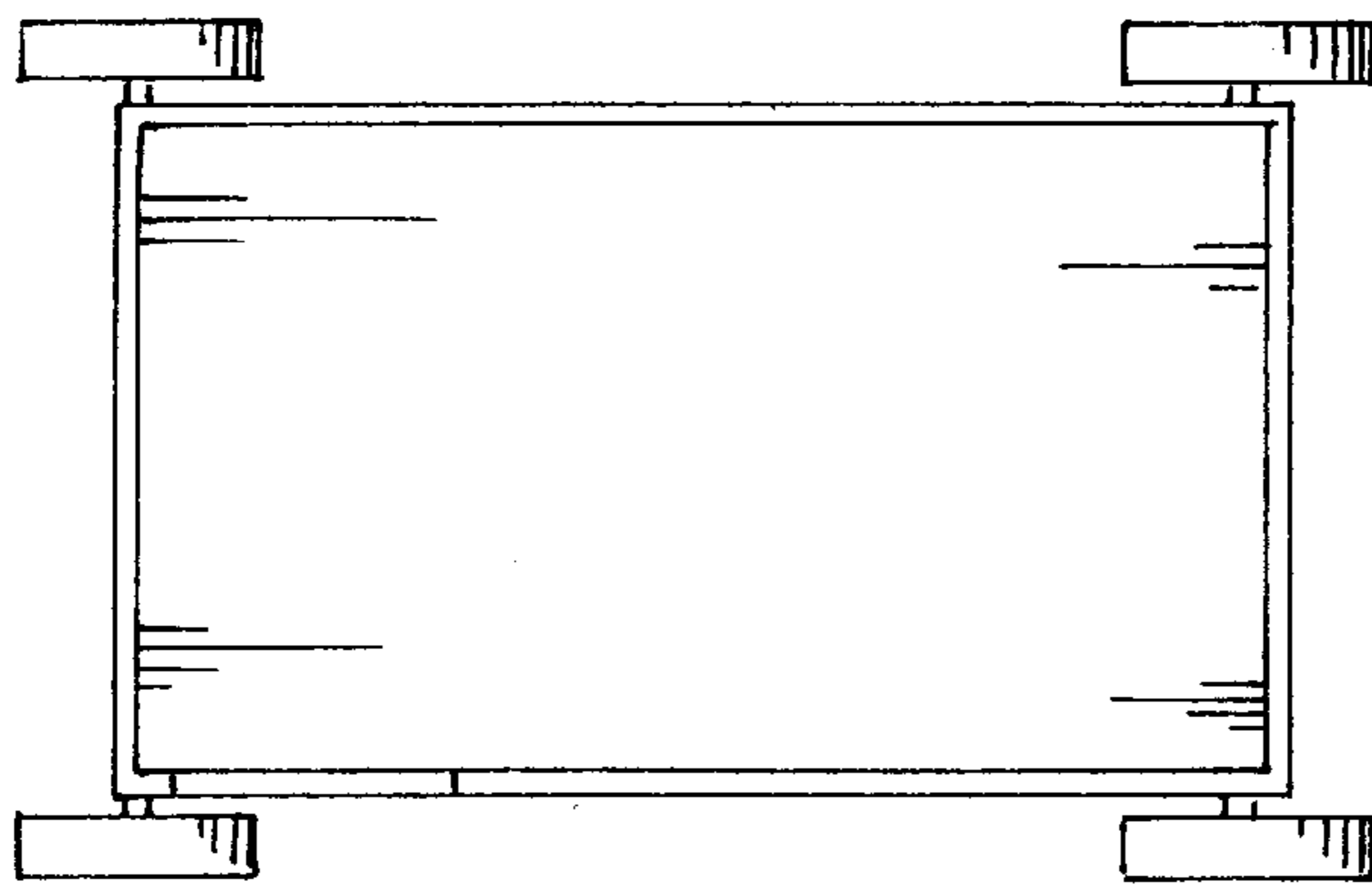


Fig. 2

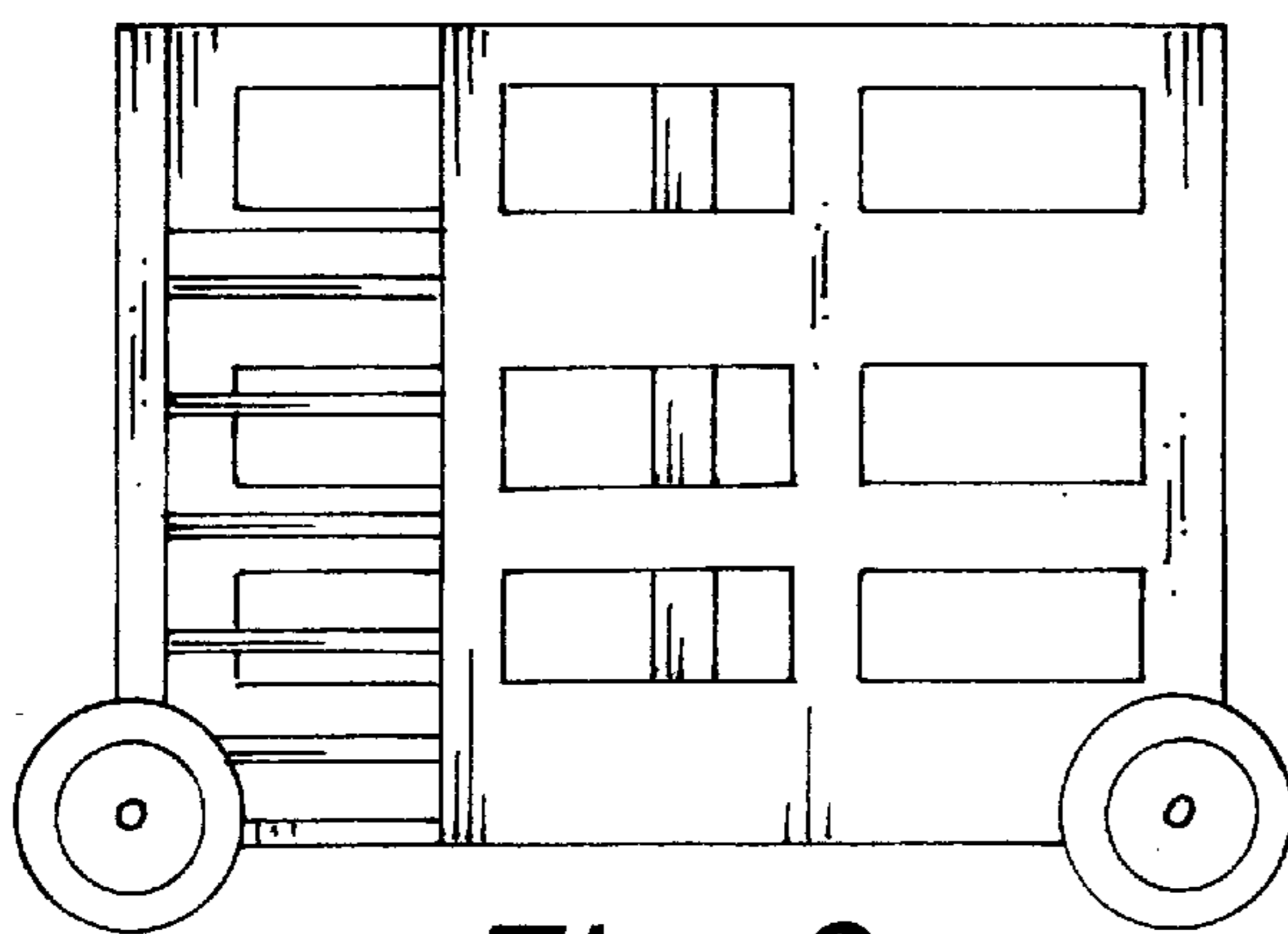


Fig. 3

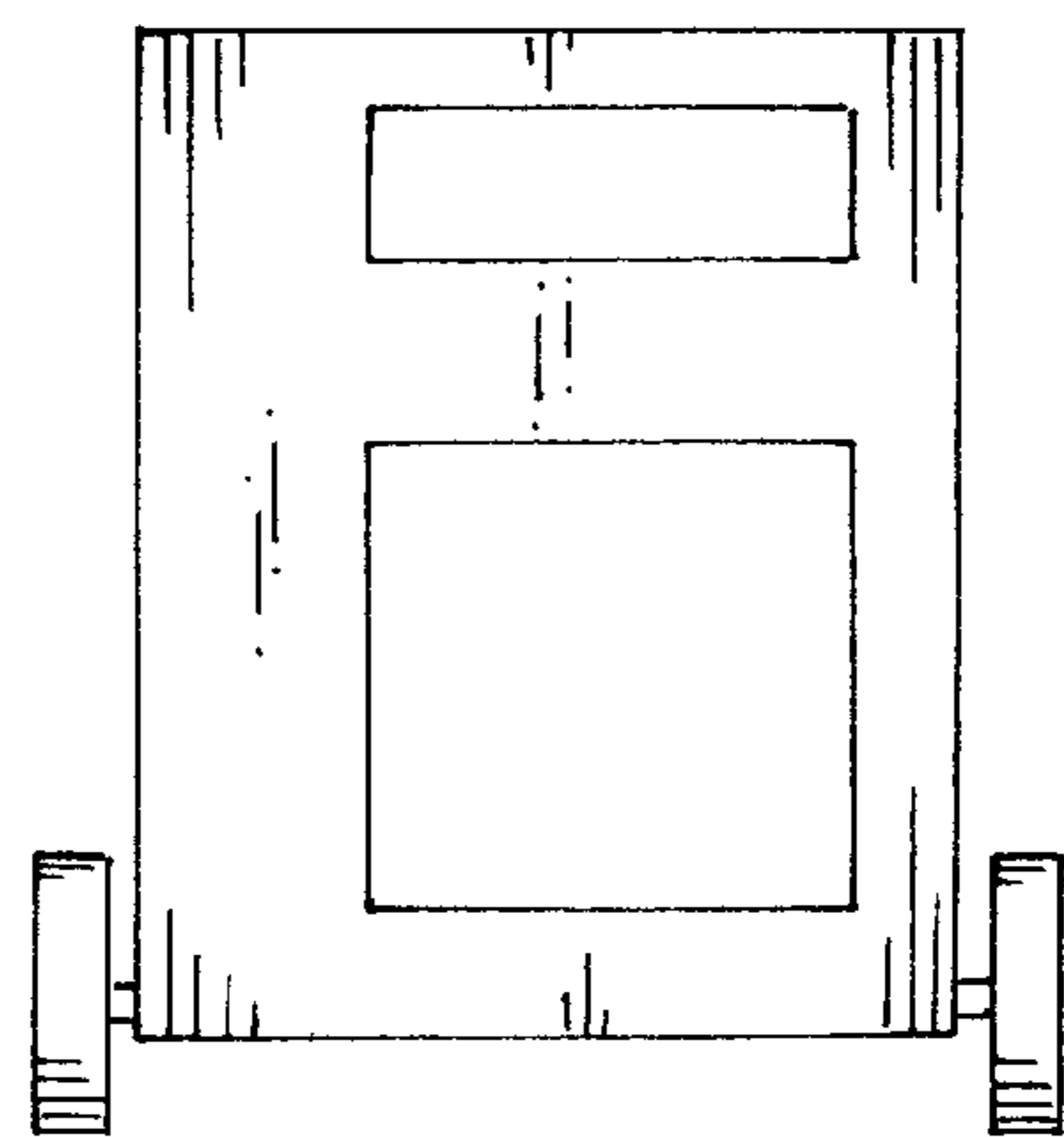


Fig. 4

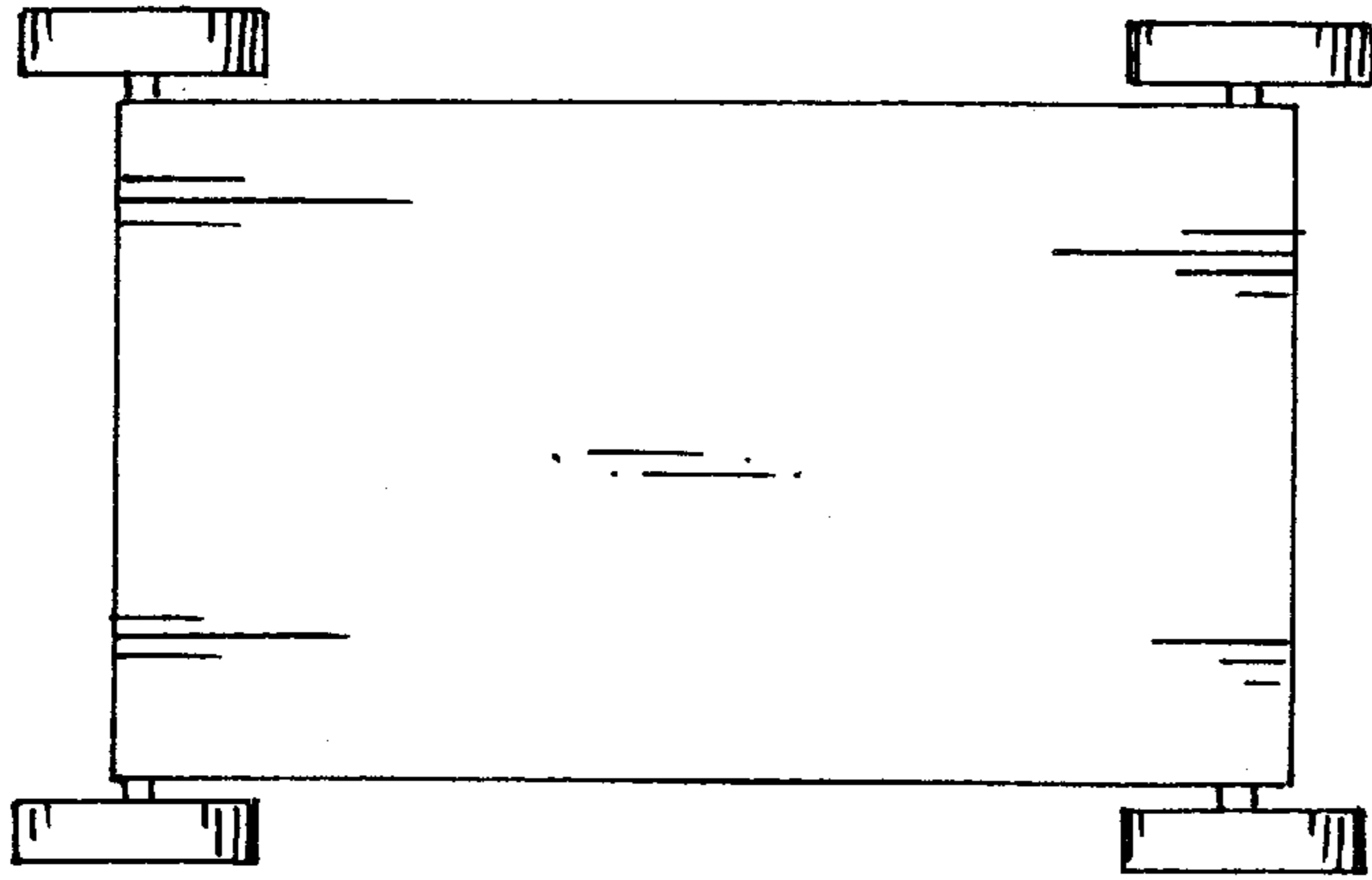


Fig. 5

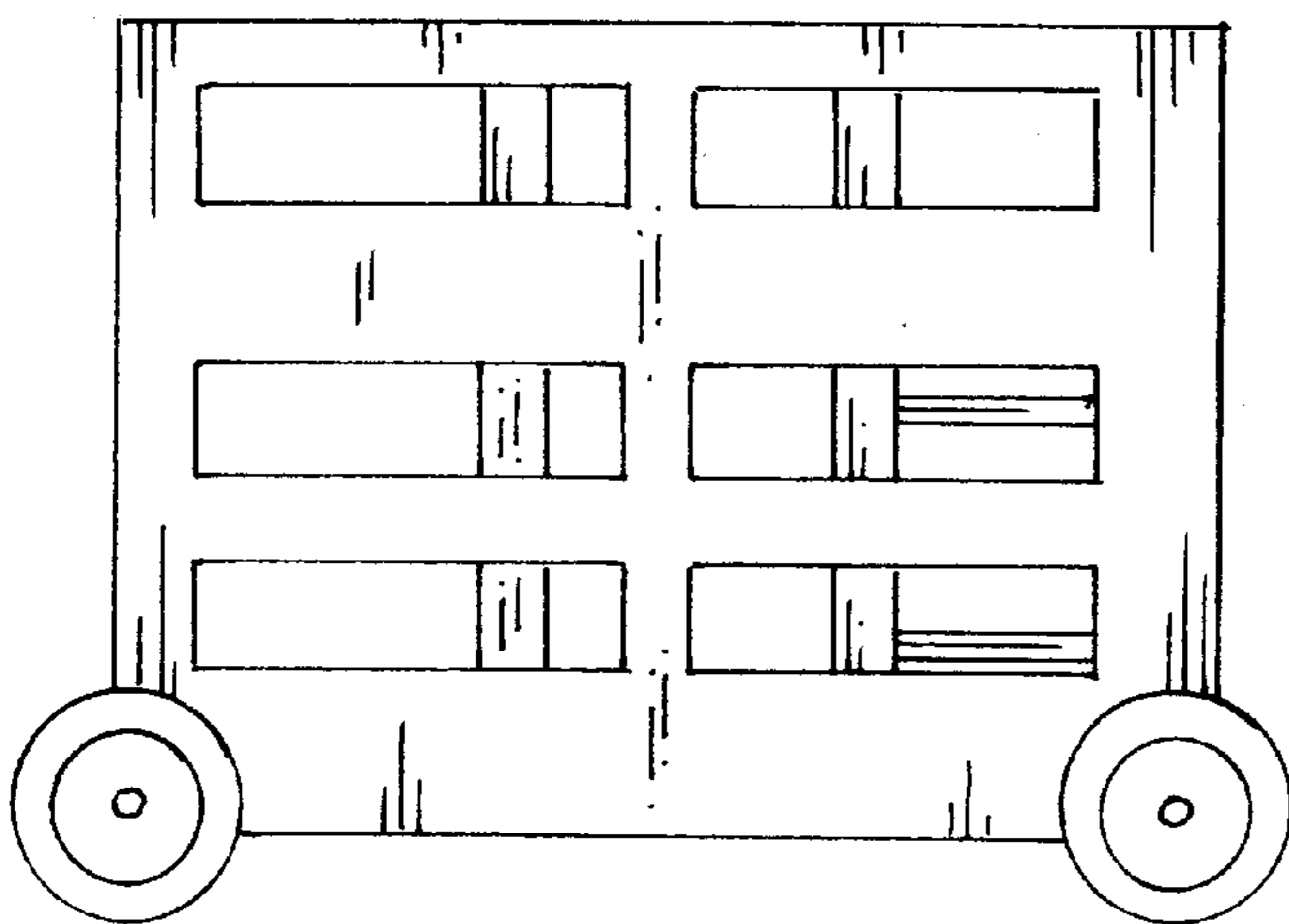


Fig. 6

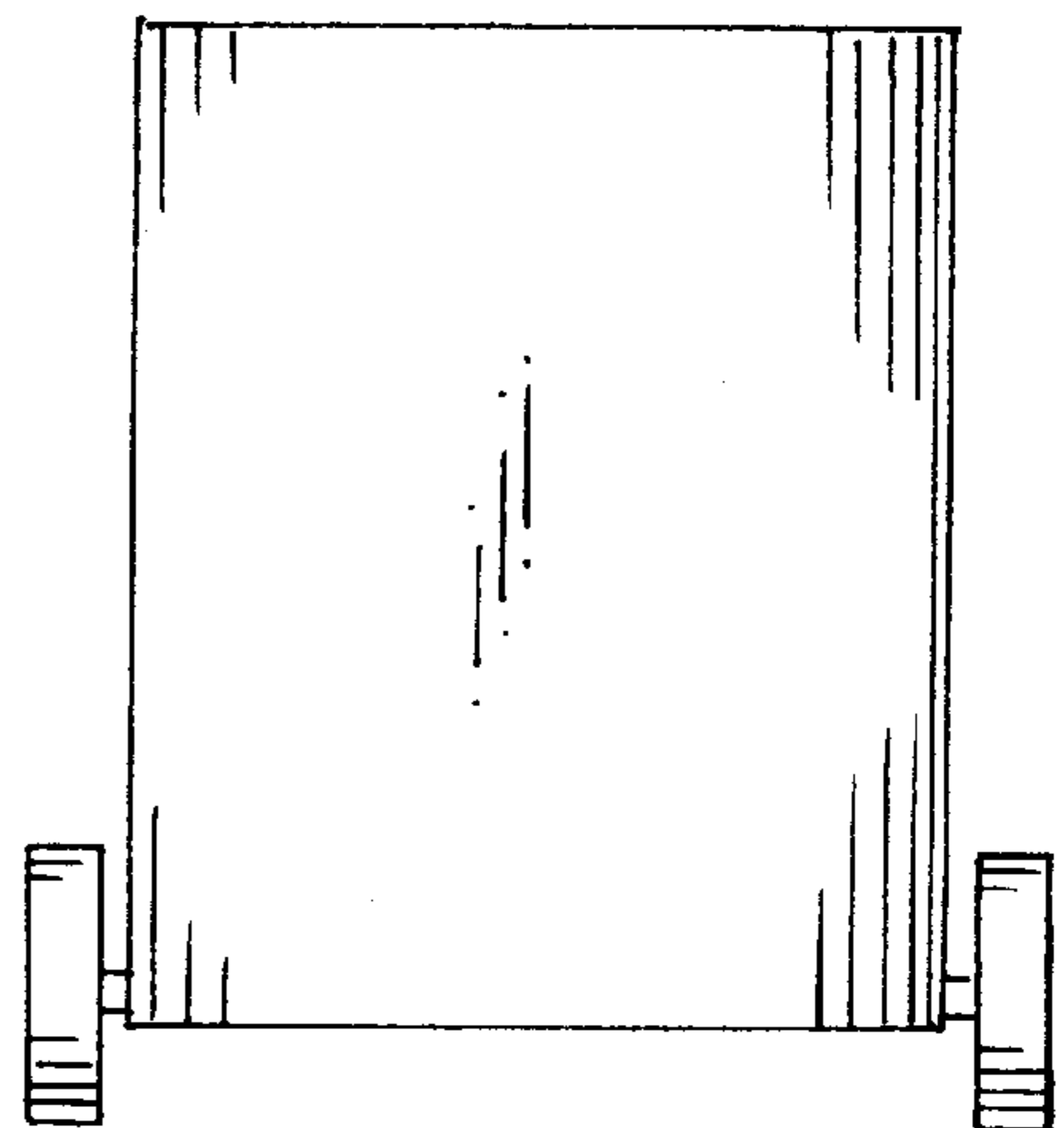


Fig. 7