



US00D488302S

(12) **United States Design Patent**
Libman et al.

(10) **Patent No.:** **US D488,302 S**

(45) **Date of Patent:** **** Apr. 13, 2004**

(54) **CULINARY BRUSH**

(76) Inventors: **Robert J. Libman**, 220 N. Sheldon,
P.O. Box 68, Arcola, IL (US) 61910;
Enzo Berti, Via Guolo 15 int. 18/A,
30031 Dolo/Venice (IT)

(**) Term: **14 Years**

(21) Appl. No.: **29/180,237**

(22) Filed: **Apr. 21, 2003**

Related U.S. Application Data

(62) Division of application No. 29/153,736, filed on Jan. 11,
2002, now Pat. No. Des. 474,611.

(51) **LOC (7) Cl.** **04-01**

(52) **U.S. Cl.** **D4/138**

(58) **Field of Search** D4/132-134, 136,
D4/138; D7/393, 395, 693, 695; 15/143.1,
159.1, 160; 16/110, 430; D8/107

(56) **References Cited**

U.S. PATENT DOCUMENTS

- D191,488 S 10/1961 Golden
- D227,827 S 7/1973 Lindbo
- D291,029 S 7/1987 Purvis et al.
- D316,634 S 5/1991 Vetter
- D359,625 S * 6/1995 Hoagland D4/138

- D373,904 S * 9/1996 Vanderhoef et al. D4/138
- D417,121 S * 11/1999 Brunianyn D7/395
- D428,705 S 8/2000 Larson
- D452,631 S 1/2002 Knorr

OTHER PUBLICATIONS

Hong Kong Enterprise, vol. 10, Oct. 1995, Vegetable Brush
with Peeler — Item No. KB1036, p. 1115.

* cited by examiner

Primary Examiner—Alan P. Douglas
Assistant Examiner—Lavone D. Tabor
(74) *Attorney, Agent, or Firm*—Marshall, Gerstein & Borun
LLP

(57) **CLAIM**

The ornamental design for a culinary brush, as shown and
described.

DESCRIPTION

FIG. 1 is a perspective view of a culinary brush in accor-
dance with the present invention;
FIG. 2 is a reduced side view thereof;
FIG. 3 is a reduced top view thereof; and,
FIG. 4 is a reduced bottom view of the culinary brush.
The broken line environmental showing is for illustrative
purposes only and forms no part of the claimed design.

1 Claim, 1 Drawing Sheet

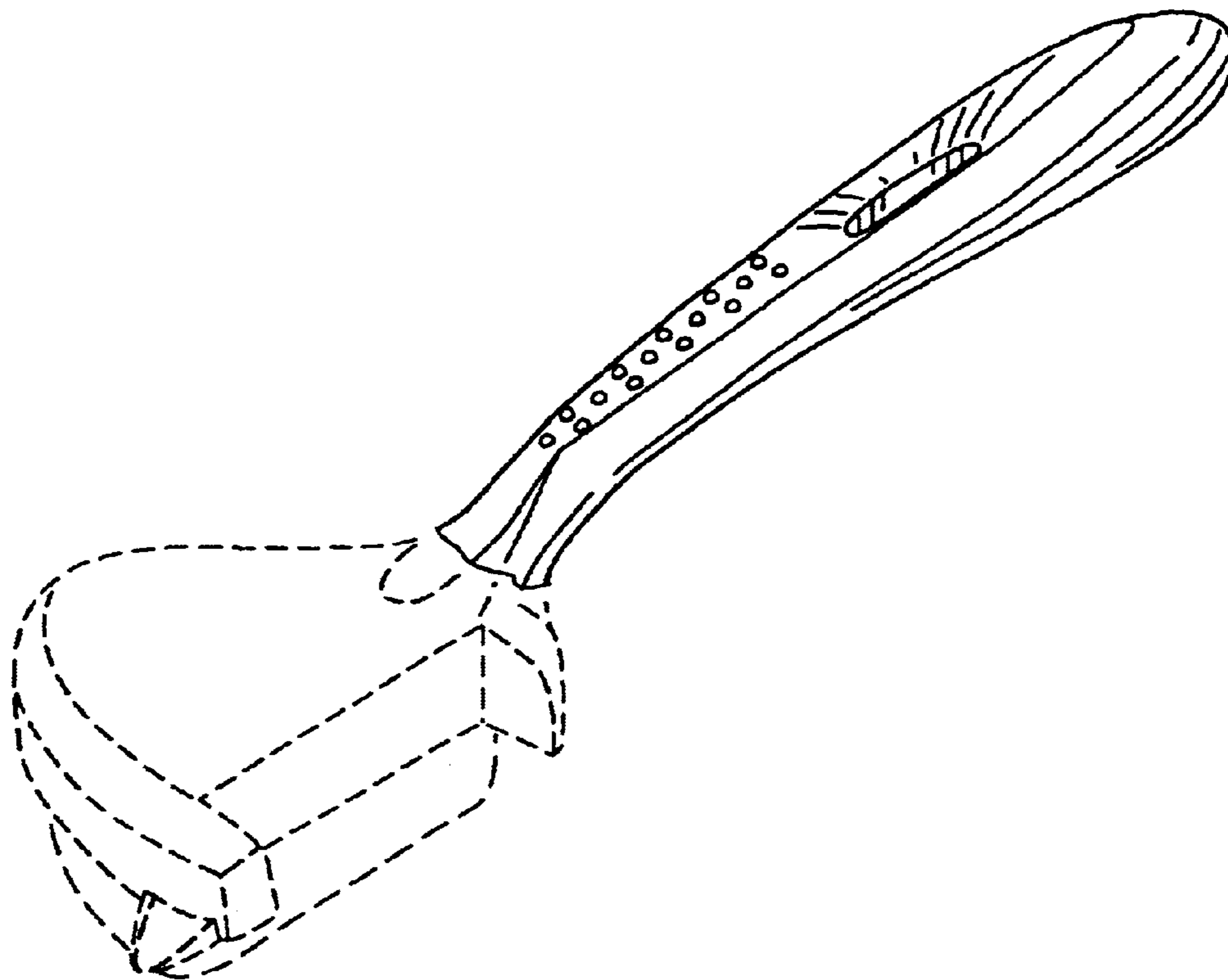


FIG. 1

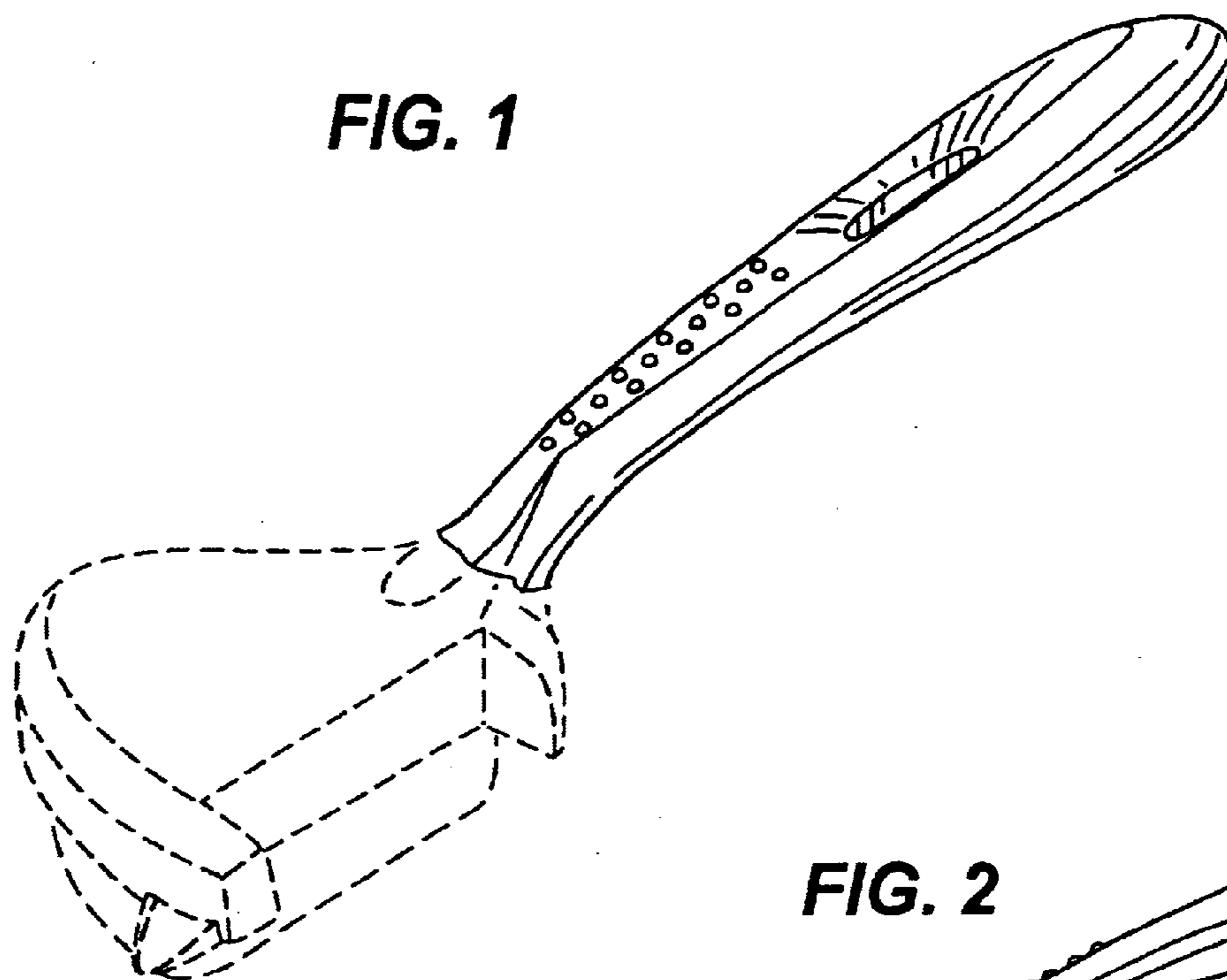


FIG. 2

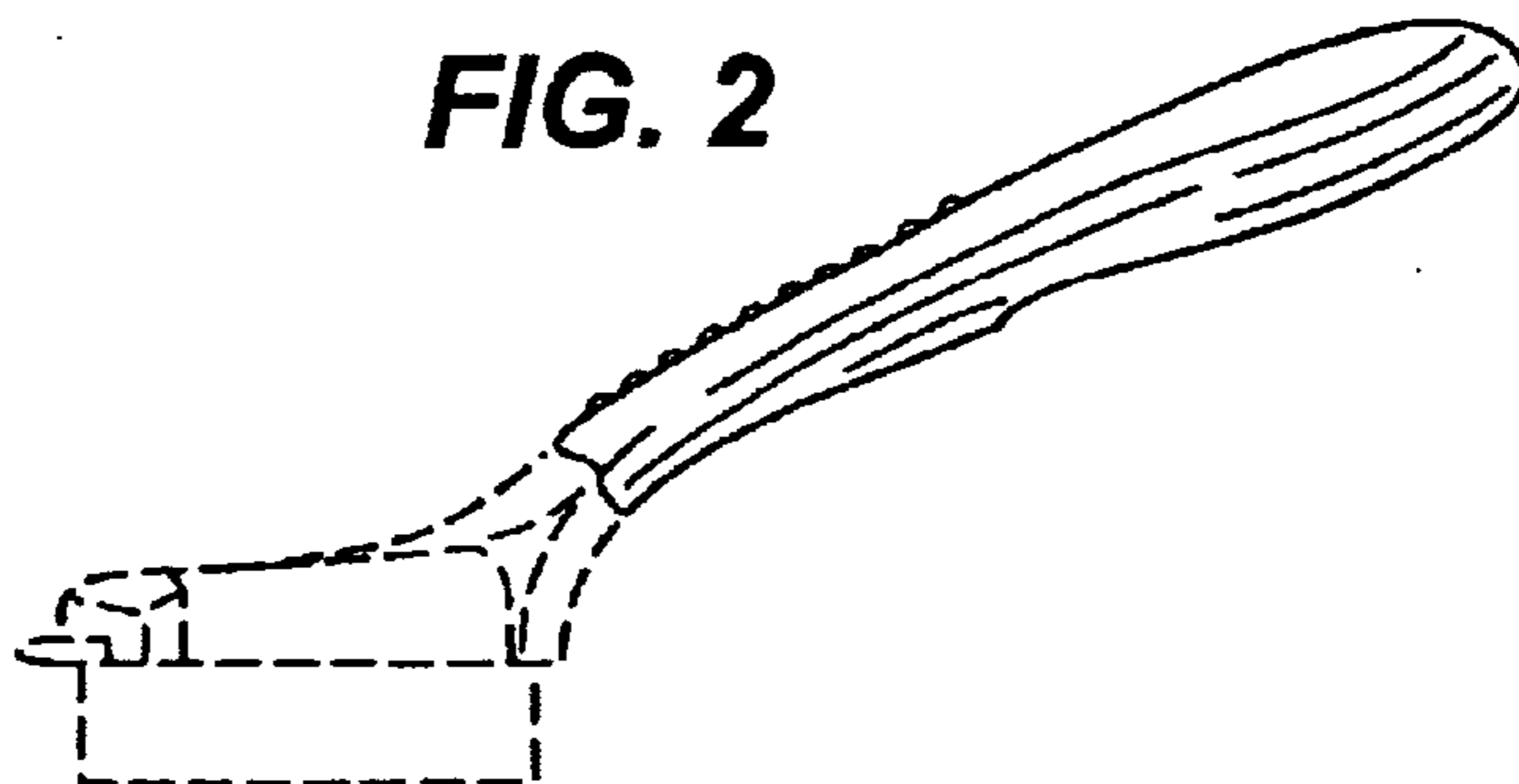


FIG. 3

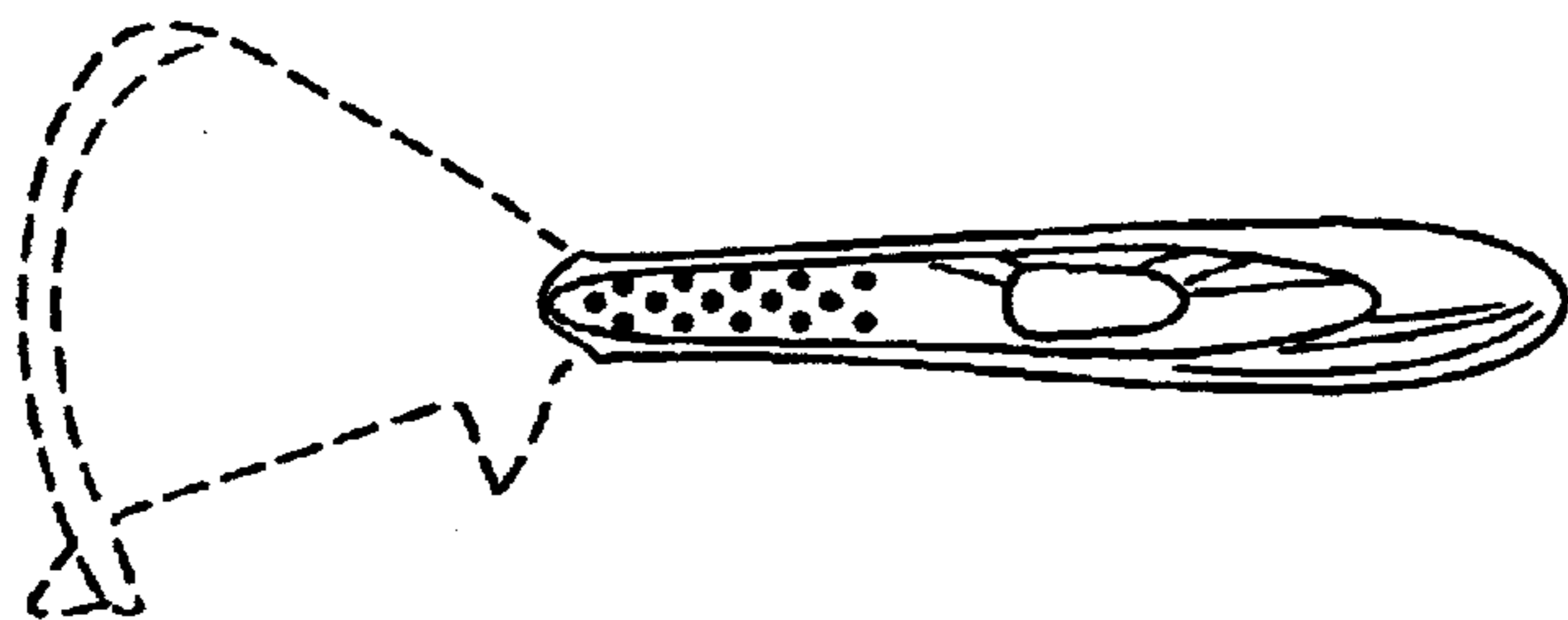


FIG. 4

