



US00D488299S

(12) **United States Design Patent**
Nykoluk

(10) **Patent No.:** **US D488,299 S**

(45) **Date of Patent:** **** Apr. 13, 2004**

(54) **HANDLE FOR ROLLING LUGGAGE**

D457,320 S * 5/2002 Beedham D3/318

(75) **Inventor:** **Cory O. Nykoluk, St. Louis, MO (US)**

* cited by examiner

(73) **Assignee:** **Cerf Brothers Bag Company, Earth City, MO (US)**

Primary Examiner—Louis S. Zarfaz
Assistant Examiner—Monica A. Weingart
(74) *Attorney, Agent, or Firm*—Polster, Lieder, Woodruff & Lucchesi, L.C.

(**) **Term:** **14 Years**

(21) **Appl. No.:** **29/175,051**

(57) **CLAIM**

(22) **Filed:** **Jan. 29, 2003**

The ornamental design for a handle for rolling luggage, as shown and described.

(51) **LOC (7) Cl.** **03-99**

DESCRIPTION

(52) **U.S. Cl.** **D3/318**

(58) **Field of Search** D3/318, 321, 322, D3/323, 324, 273, 276, 279, 281, 282, 291; 16/113.1; 24/599.5; 150/111; 190/18 A, 39, 102, 108, 115; 280/37, 654

FIG. 1 is a perspective view of the present invention; FIG. 2 is a right side view of the present invention; FIG. 3 is a side view of the present invention; FIG. 4 is a top view of the present invention; FIG. 5 is a bottom view of the present invention; and, FIG. 6 is an additional perspective view of a second embodiment of the present invention.

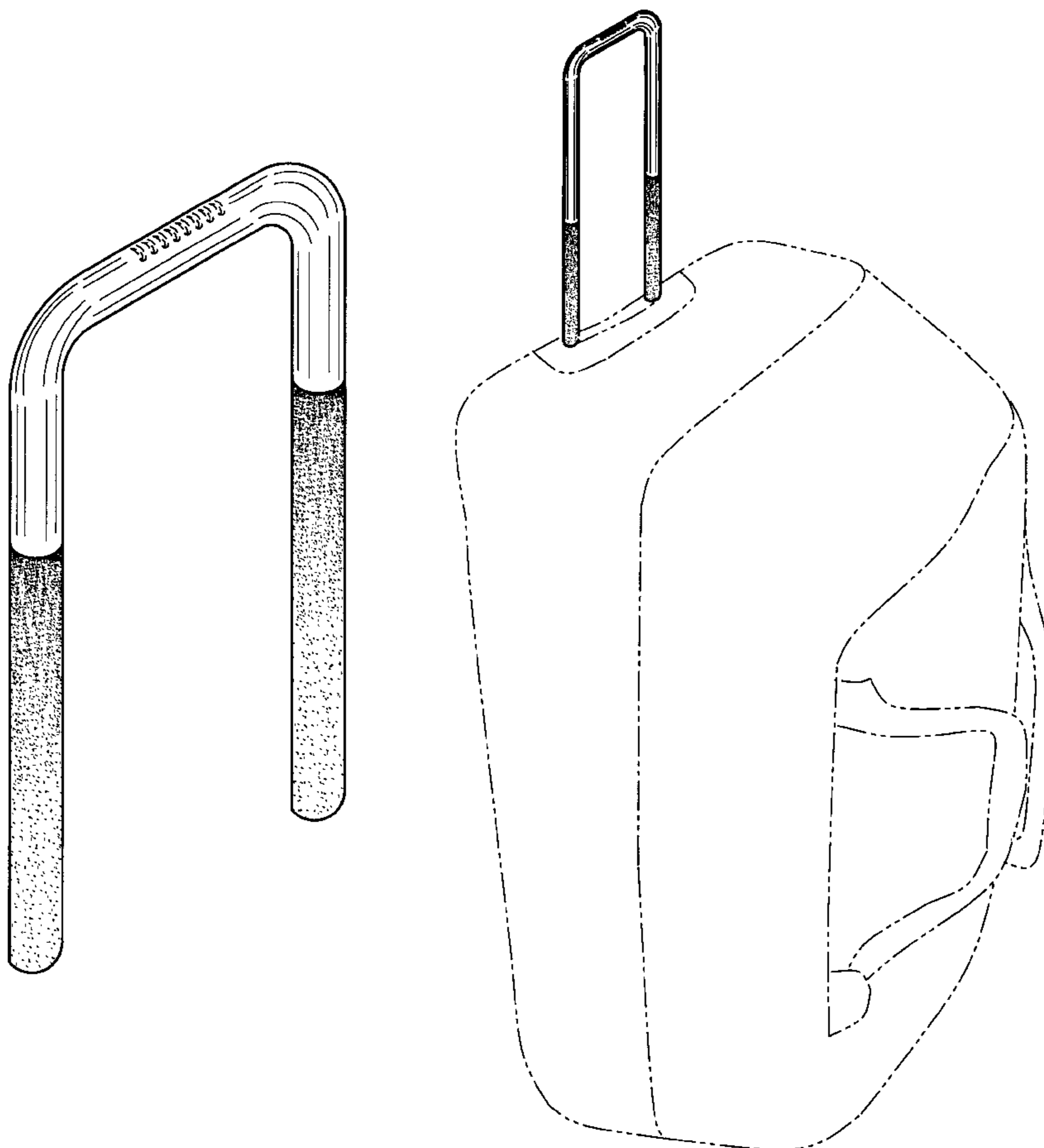
(56) **References Cited**

U.S. PATENT DOCUMENTS

5,335,759	A	*	8/1994	Yeh	190/115
5,499,426	A	*	3/1996	Hsieh	16/113.1
5,788,032	A	*	8/1998	Krulik	190/108
5,842,673	A	*	12/1998	Fenton	248/309.1
6,213,267	B1	*	4/2001	Miller	190/108

The broken line showing in FIGS. 1-3, and of a piece of luggage in FIG. 6, is for illustrative purposes only and forms no part of the claimed design.

1 Claim, 2 Drawing Sheets



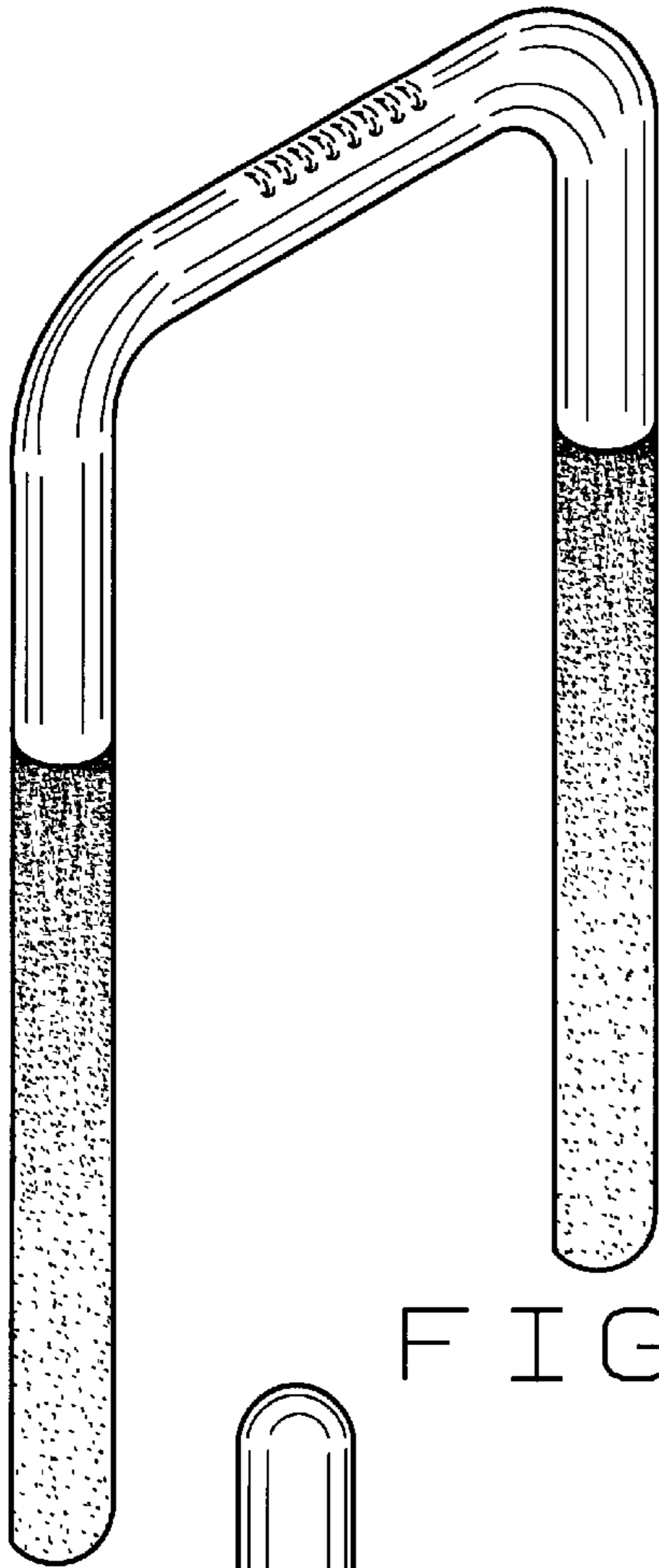


FIG. 1

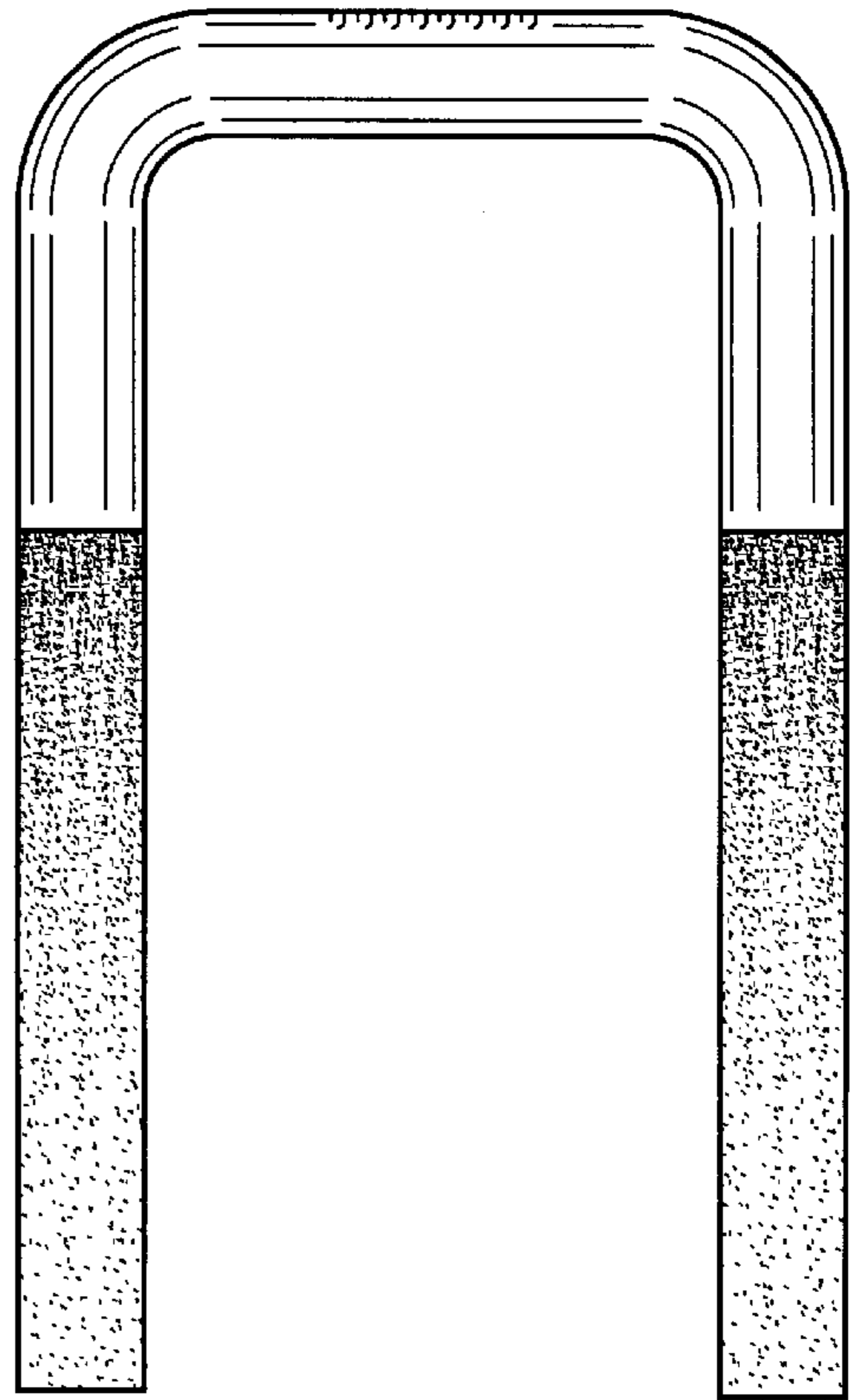


FIG. 2

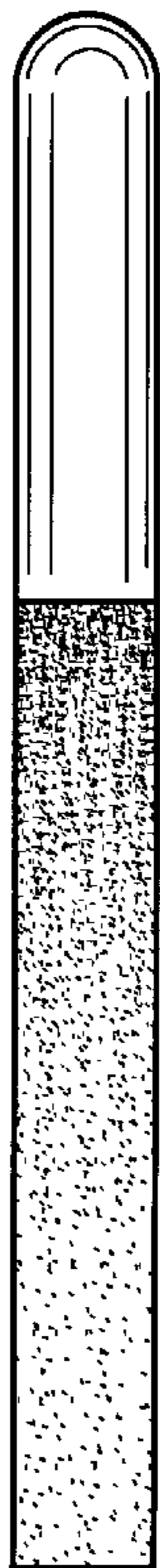


FIG. 3



FIG. 4

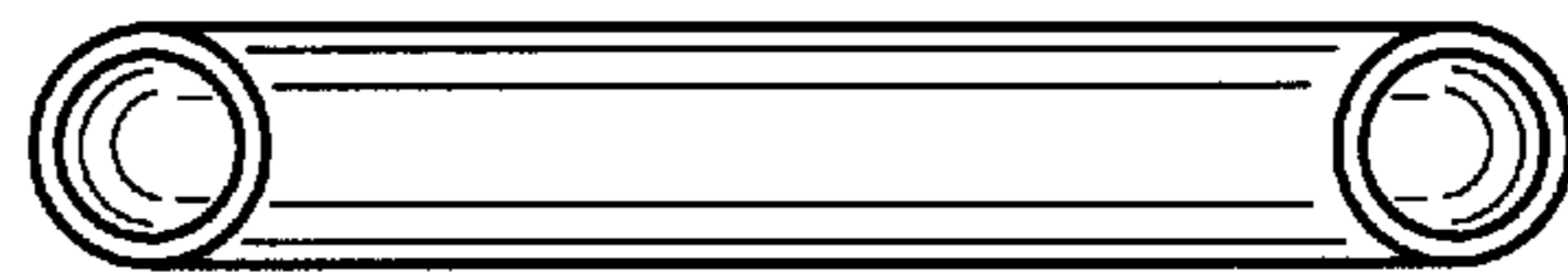


FIG. 5

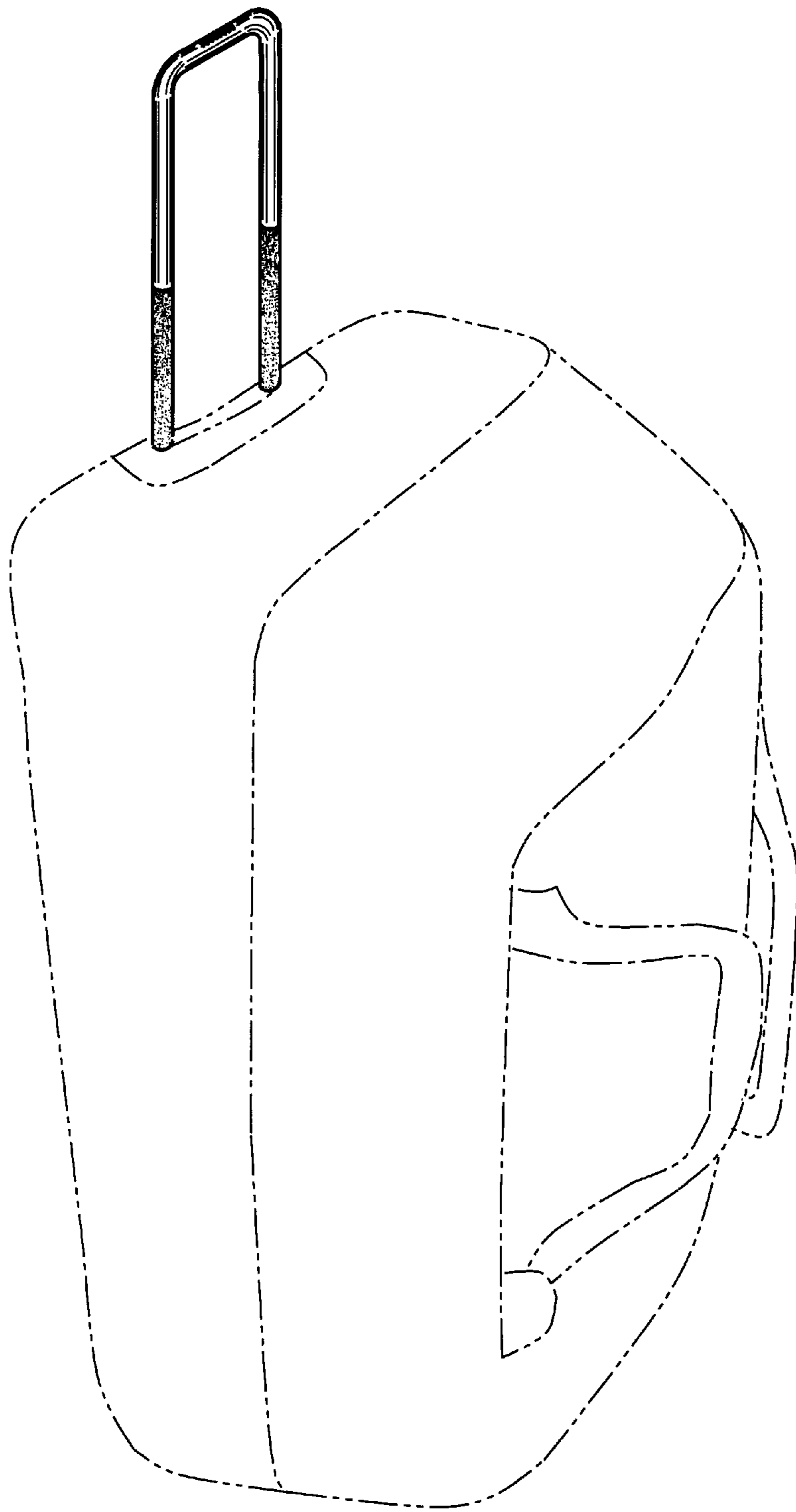


FIG. 6